



US00D565668S

(12) **United States Design Patent** (10) **Patent No.:** **US D565,668 S**
Baseflug et al. (45) **Date of Patent:** **** Apr. 1, 2008**

(54) **PORTION OF A GAMING INPUT DEVICE HAVING AN ILLUMINATED REGION**

6,743,100 B1 * 6/2004 Neiser 463/37
D521,015 S * 5/2006 Hayes et al. D14/454
D522,011 S * 5/2006 Hayes et al. D14/454
7,063,321 B2 * 6/2006 Hussaini et al. 273/148 B
7,195,561 B2 * 3/2007 Hussaini et al. 463/31

(75) Inventors: **Michael Baseflug**, Duvall, WA (US);
Wei Guo, Sammamish, WA (US);
Richard S. Lum, Redmond, WA (US)

* cited by examiner

(73) Assignee: **Microsoft Corporation**, Redmond, WA (US)

Primary Examiner—Prabhakar Deshmukh
(74) *Attorney, Agent, or Firm*—Banner & Witcoff, Ltd.

(**) Term: **14 Years**

(57) **CLAIM**

(21) Appl. No.: **29/246,011**

The ornamental design for a portion of a gaming input device having illuminated region, as shown and described.

(22) Filed: **Dec. 15, 2005**

DESCRIPTION

(51) **LOC (8) Cl.** **21-01**

FIG. 1 is a front perspective view of a portion of a gaming input device having illuminated region showing our new design;

(52) **U.S. Cl.** **D21/333; D14/401**

FIG. 2 is a top view thereof;

(58) **Field of Classification Search** D21/324,

FIG. 3 is a left view thereof;

D21/333, 153 R, 161, 459–461, 273, 277;
D14/399–401, 412–417, 432, 433, 454, 455,
D14/356; 273/148 B, 148 R; 463/1, 46,
463/47; 345/156–170, 180, 183; 200/1 R,
200/5 R, 5 A

FIG. 4 is a right side view thereof;

See application file for complete search history.

FIG. 5 is a front side view thereof;

FIG. 6 is a rear view thereof; and,

(56) **References Cited**

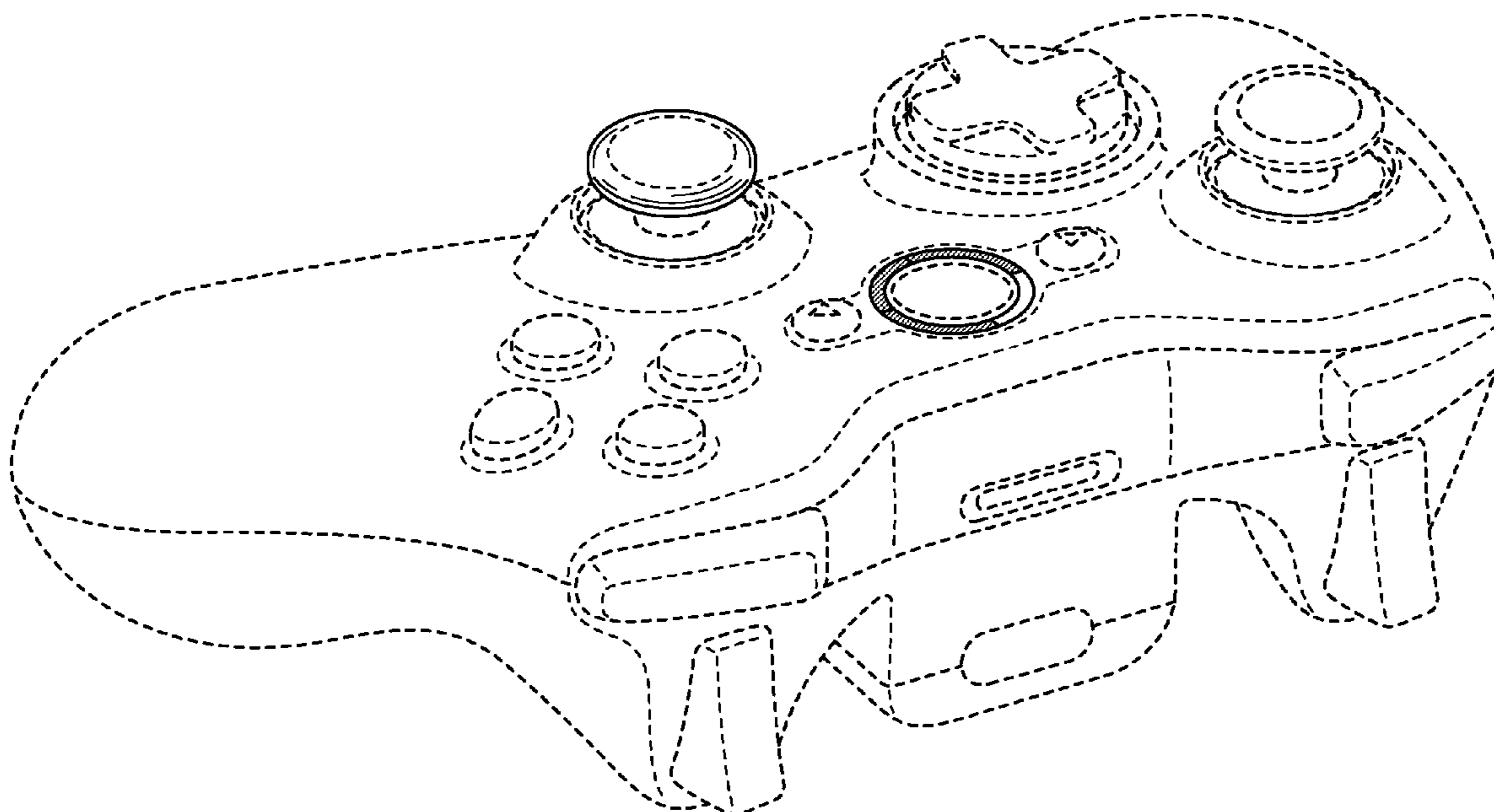
FIG. 7 is a bottom view thereof.

U.S. PATENT DOCUMENTS

The broken line showing of various regions, including the unshaded areas therein, is for illustrative purposes and forms no part of the claimed design. The difference in shading in FIGS. 1 and 2 indicates a contrast of appearance between illuminated and unilluminated regions, and does not depict any particular color, texture, or material.

5,476,261 A * 12/1995 Hultstrand 273/148 B
D416,588 S * 11/1999 Goto D14/454
D429,769 S * 8/2000 Luciano et al. D21/333
D430,223 S * 8/2000 Goto D21/333
6,186,896 B1 * 2/2001 Takeda et al. 463/38
D470,854 S * 2/2003 Jones et al. D14/456
D471,201 S * 3/2003 Tsukuda D14/455

1 Claim, 5 Drawing Sheets



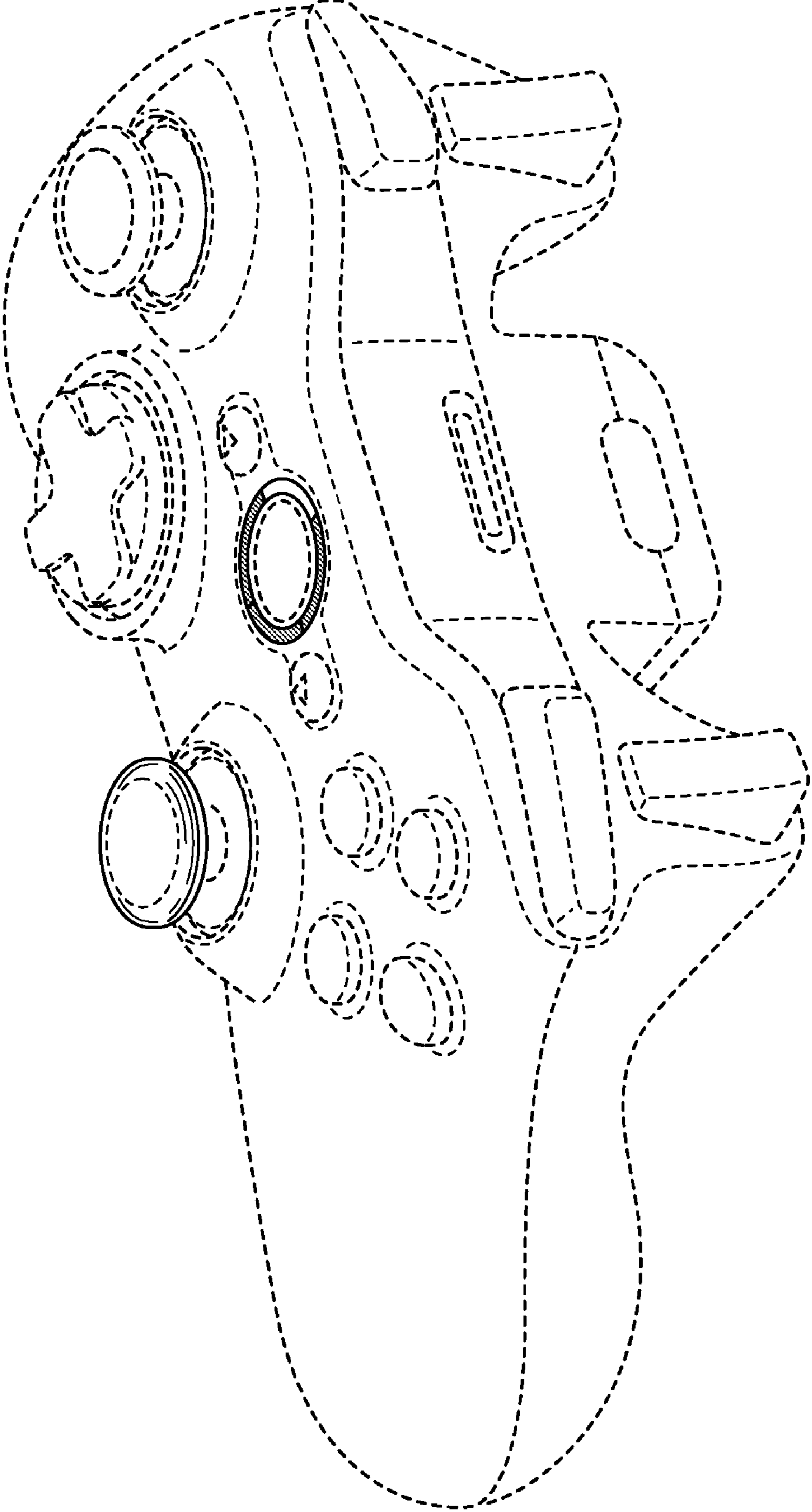


FIG. 1

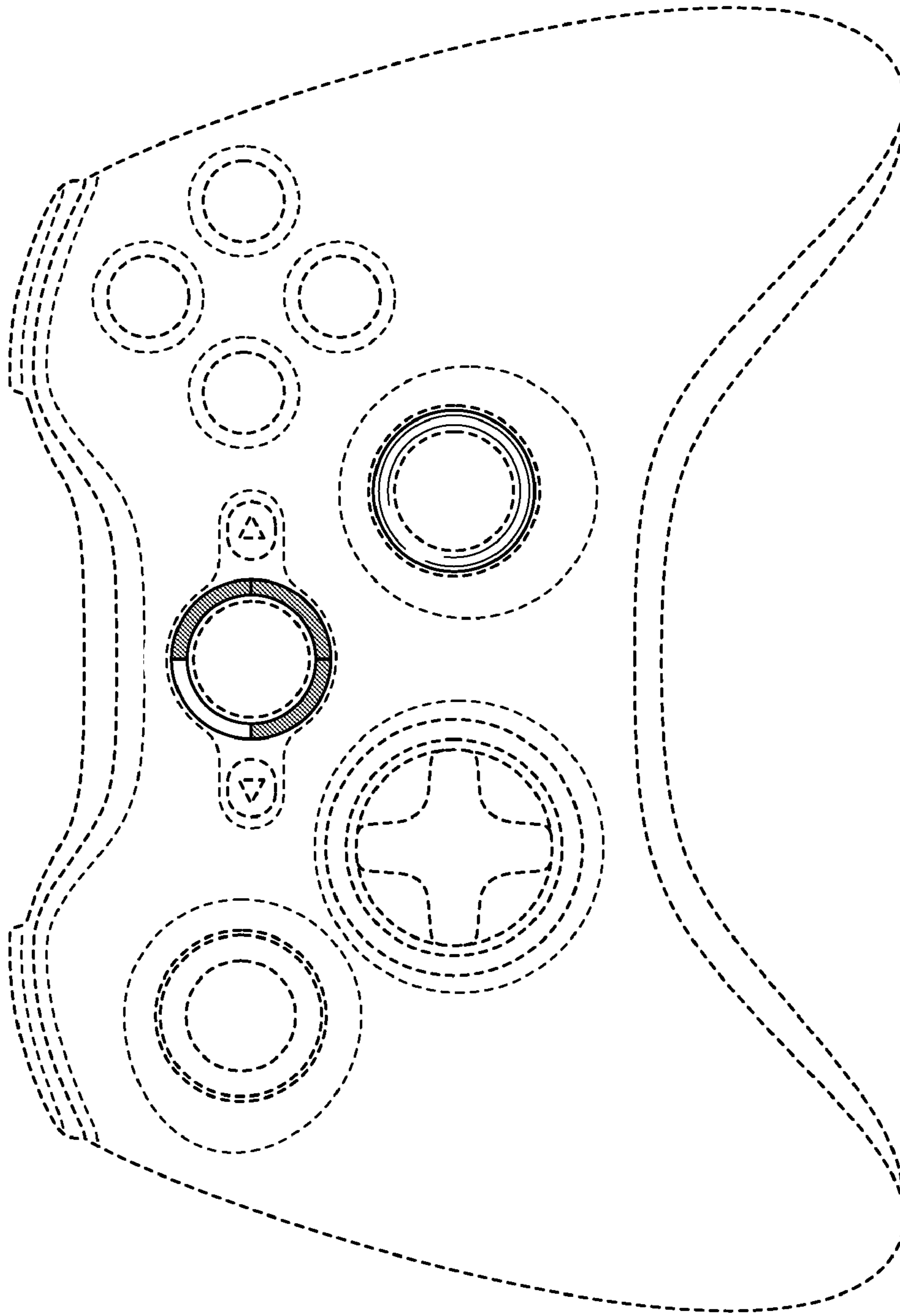


FIG. 2

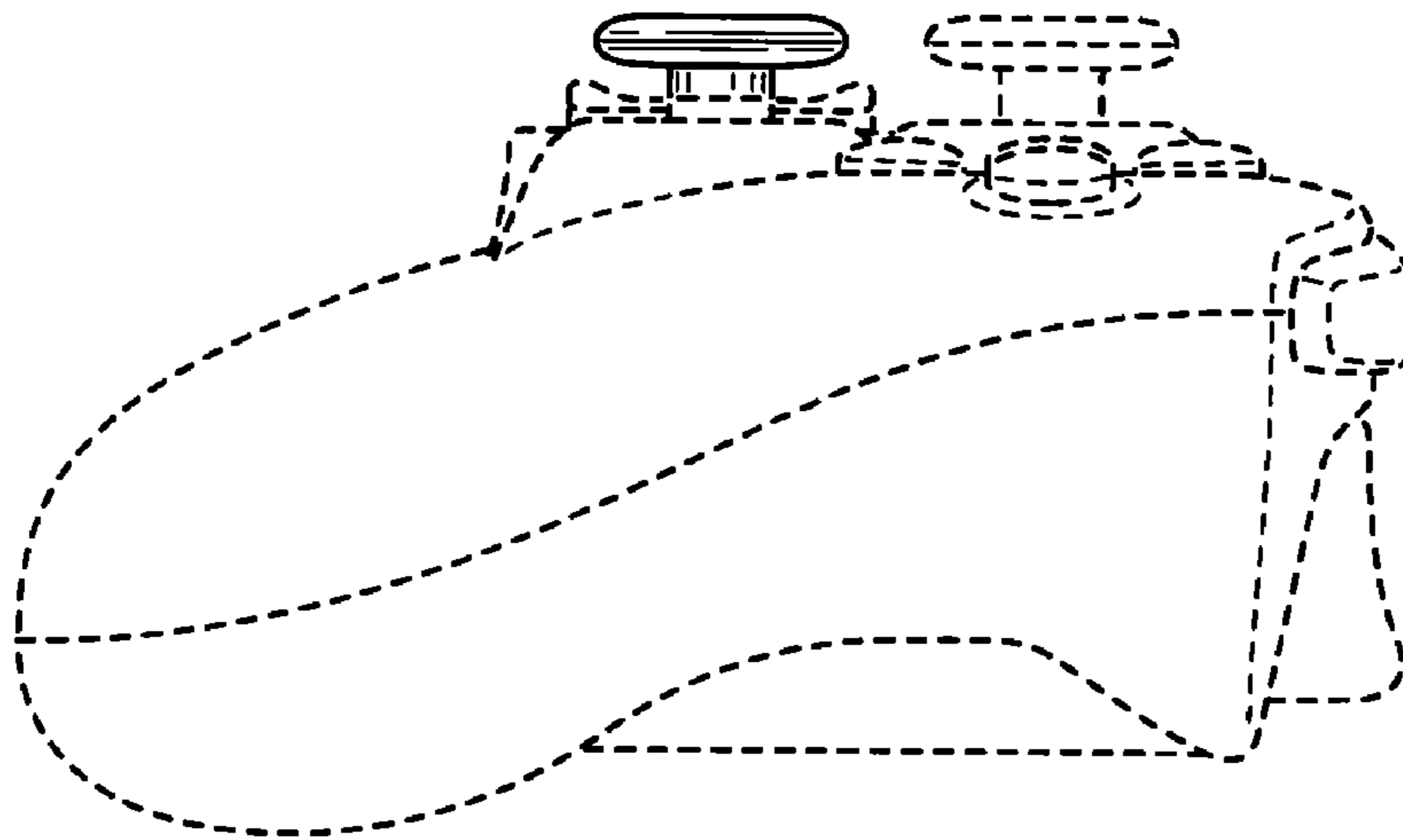


FIG. 3

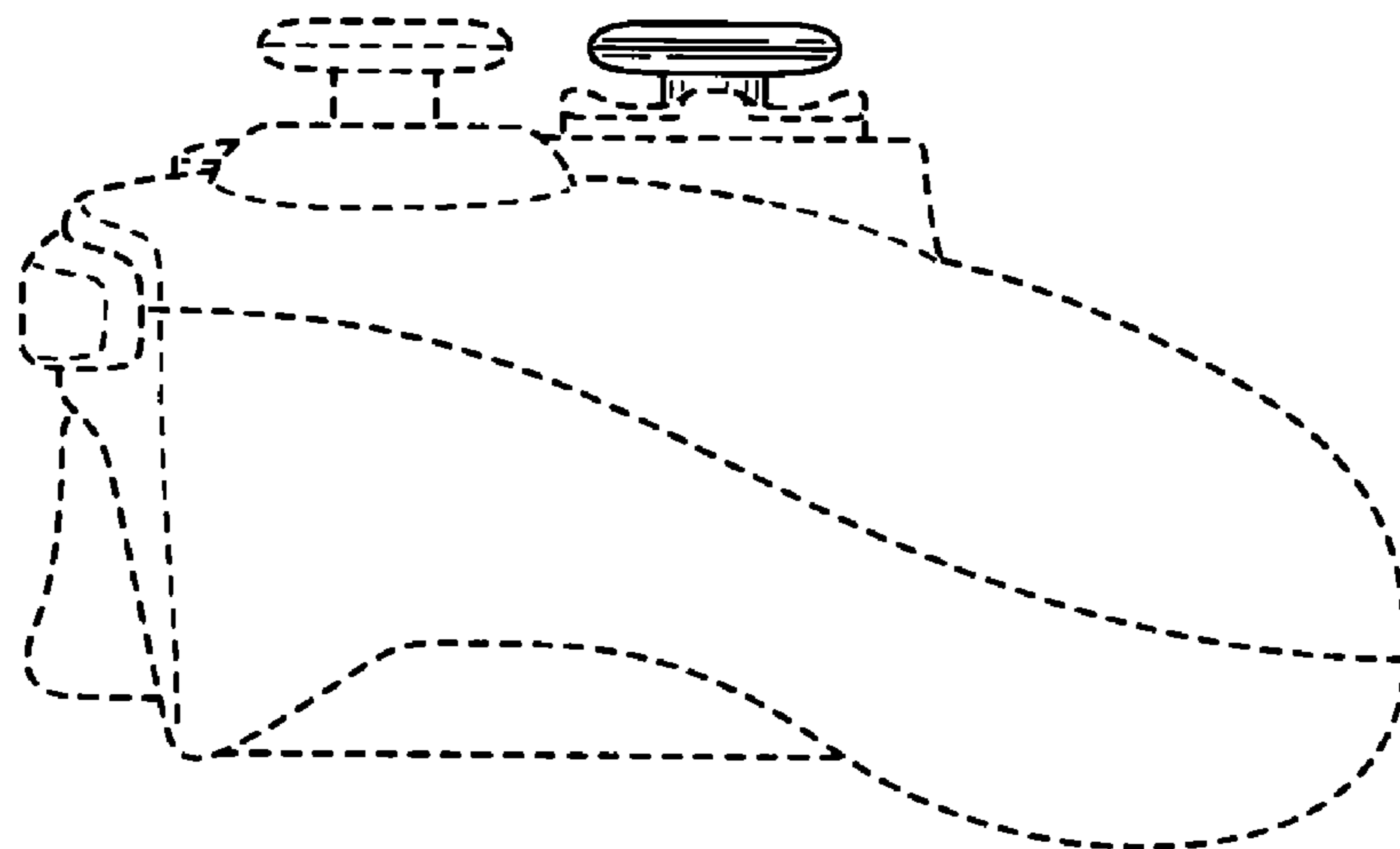


FIG. 4

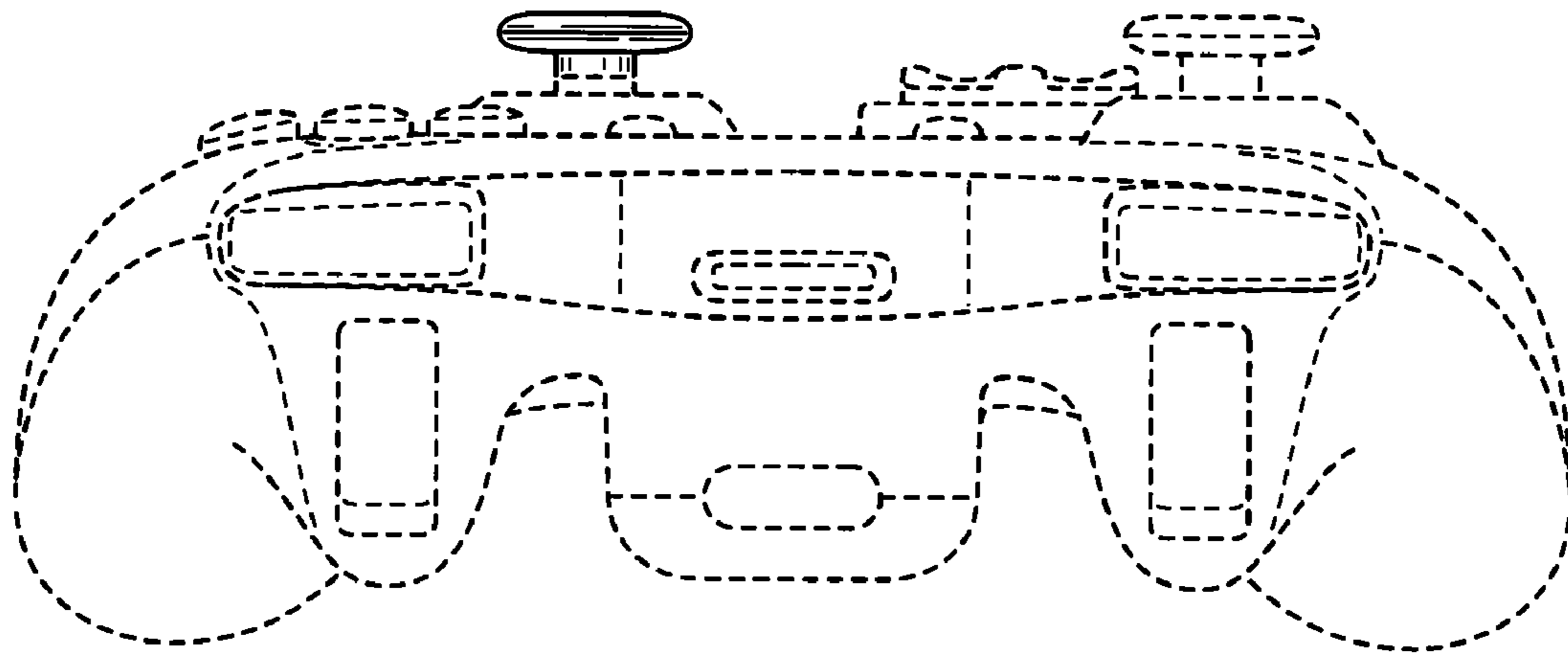


FIG. 5

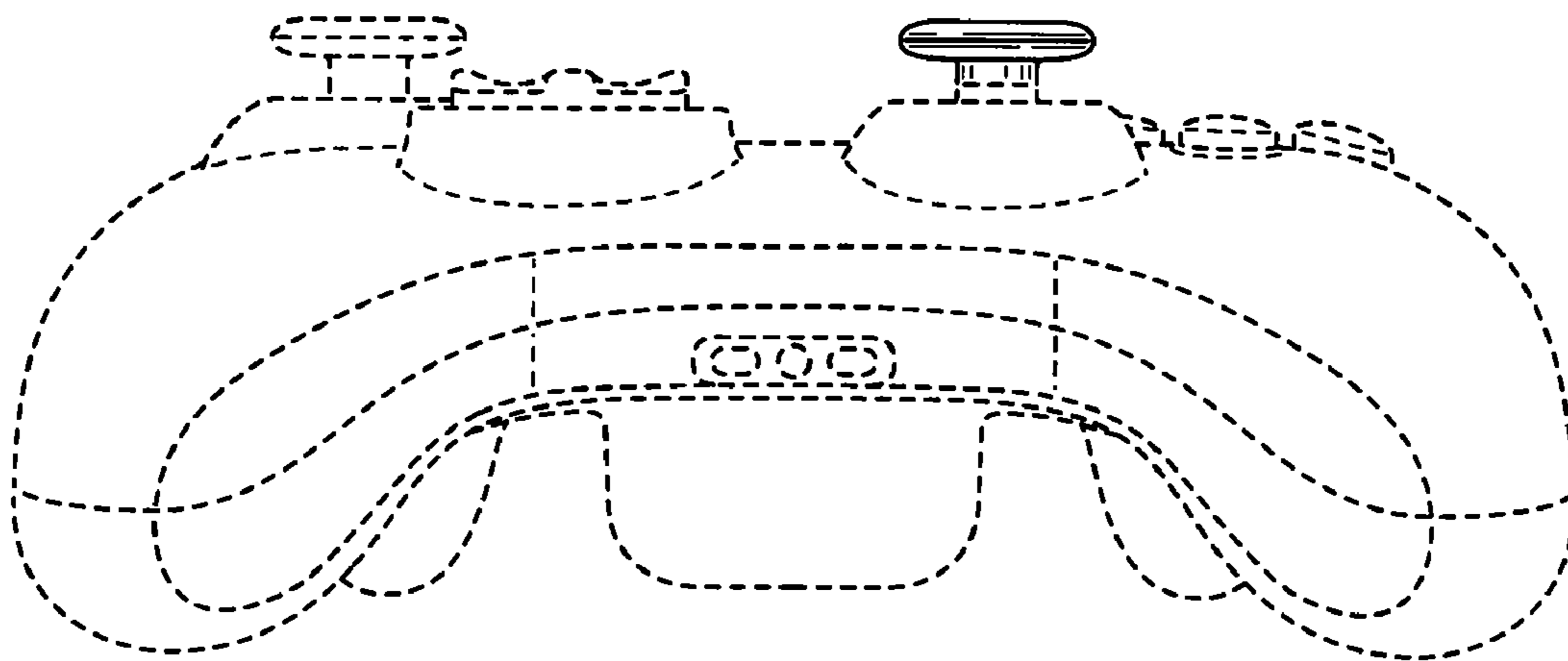


FIG. 6

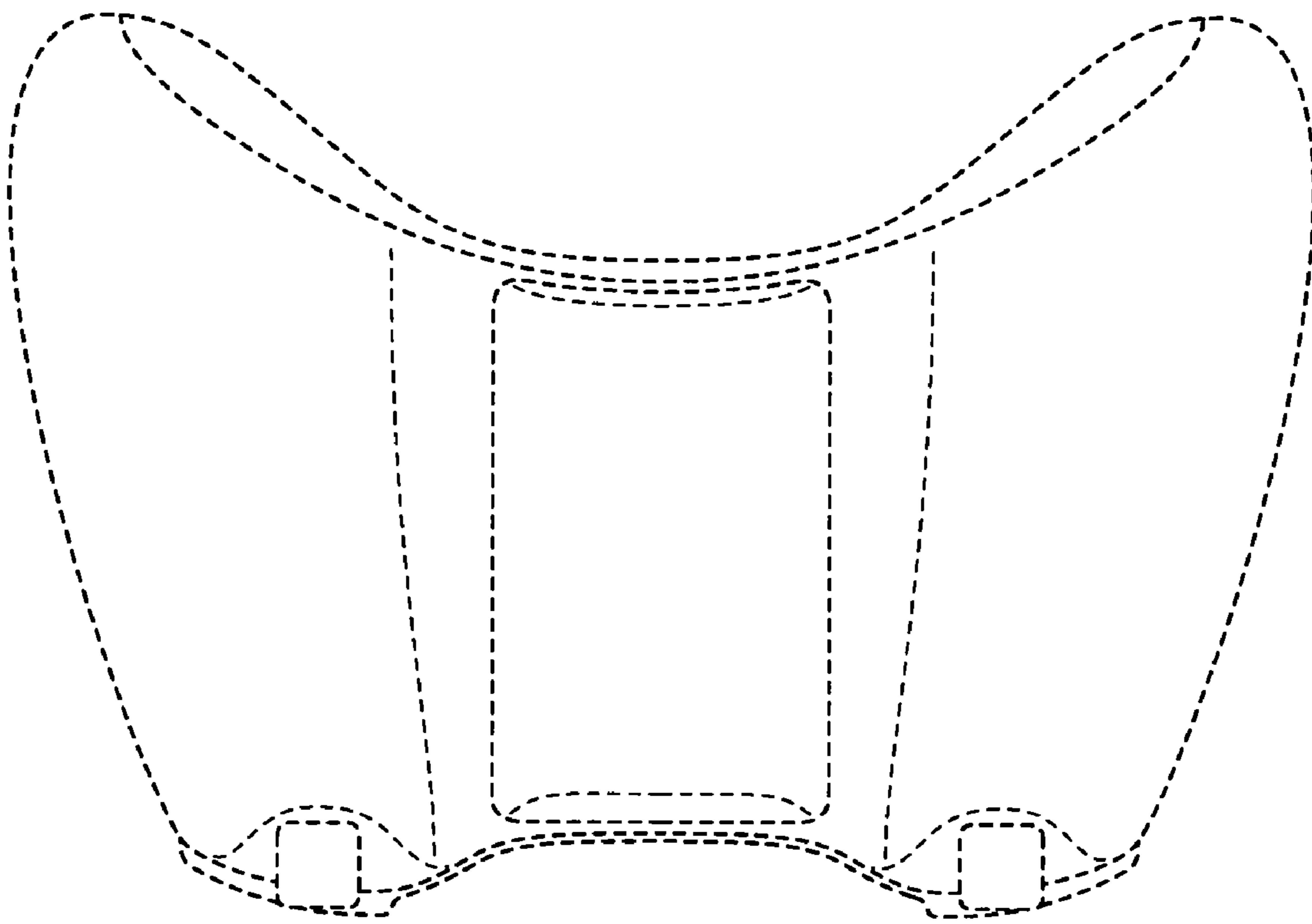


FIG. 7