

US00D565667S

(12) **United States Design Patent**
Sugimori et al.

(10) **Patent No.:** **US D565,667 S**

(45) **Date of Patent:** **** Apr. 1, 2008**

(54) **GAME DEVICE**

(75) Inventors: **Yuji Sugimori**, Tokyo (JP); **Naoaki Shoui**, Tokyo (JP); **Motohiko Higashiguchi**, Tokyo (JP)

(73) Assignee: **Sega Corporation**, Tokyo (JP)

(**) Term: **14 Years**

(21) Appl. No.: **29/258,648**

(22) Filed: **Apr. 26, 2006**

(30) **Foreign Application Priority Data**

Jan. 12, 2006 (JP) 2006-000395

(51) **LOC (8) Cl.** **21-01**

(52) **U.S. Cl.** **D21/325; D21/369**

(58) **Field of Classification Search** D21/324-330, D21/369-375, 333; 273/148 B, 148 A, 138.1, 273/139, 138.2, 148 R; 463/1, 7, 46, 16-22, 463/47, 29-35; 345/905

See application file for complete search history.

(56) **References Cited**

U.S. PATENT DOCUMENTS

D338,513 S * 8/1993 O'Neill D21/326
D410,256 S * 5/1999 Uehara et al. D21/327
D425,941 S * 5/2000 Miller et al. D21/324

D463,502 S * 9/2002 Ishii et al. D21/325
D465,243 S * 11/2002 Isetani et al. D21/325
6,921,332 B2 * 7/2005 Fukunaga et al. 463/8
2001/0021665 A1 * 9/2001 Gouji et al. 463/7

* cited by examiner

Primary Examiner—Prabhakar Deshmukh

(74) *Attorney, Agent, or Firm*—Dickstein Shapiro LLP

(57) **CLAIM**

The ornamental design for a game device, as shown and described.

DESCRIPTION

FIG. 1 is a front, top and right side perspective view of our new design for a game device;

FIG. 2 is a front elevational view of the game device of FIG. 1;

FIG. 3 is a rear elevational view of the game device of FIG. 1;

FIG. 4 is a right side elevational view of the game device of FIG. 1;

FIG. 5 is a left side elevational view of the game device of FIG. 1;

FIG. 6 is a top plan view of the game device of FIG. 1; and,

FIG. 7 is a bottom plan view of the game device of FIG. 1.

1 Claim, 4 Drawing Sheets

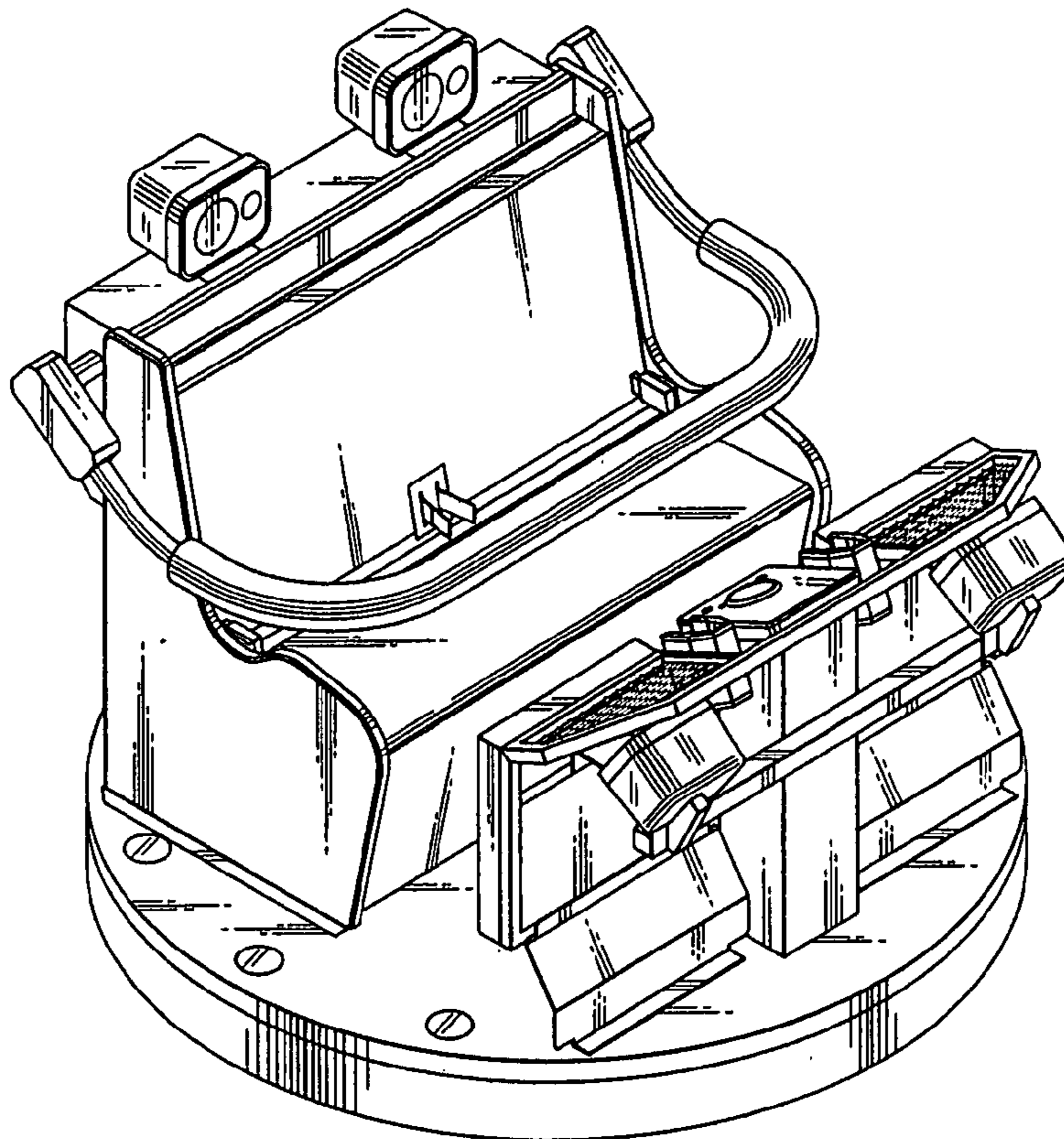


FIG. 1

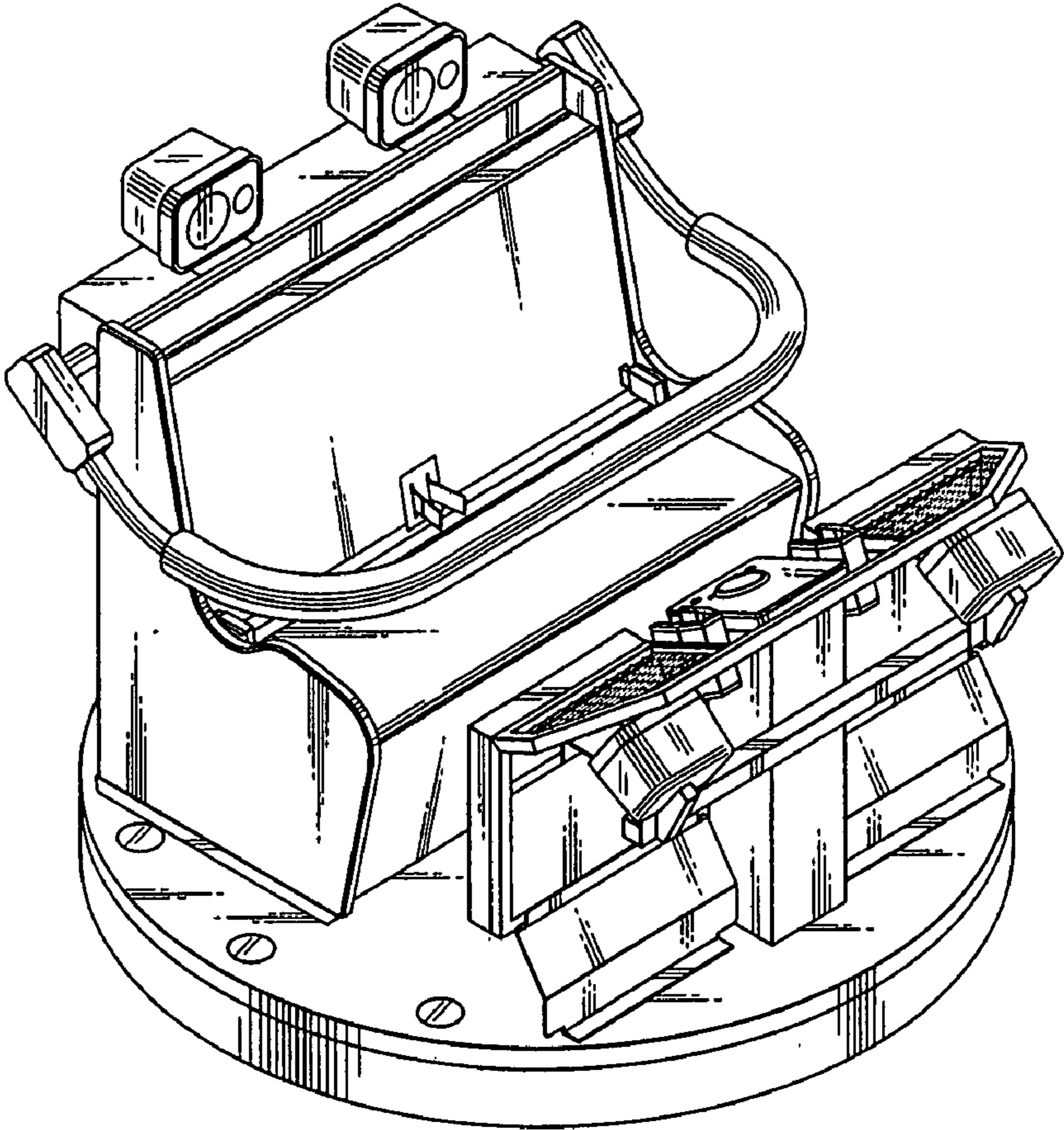


FIG. 2

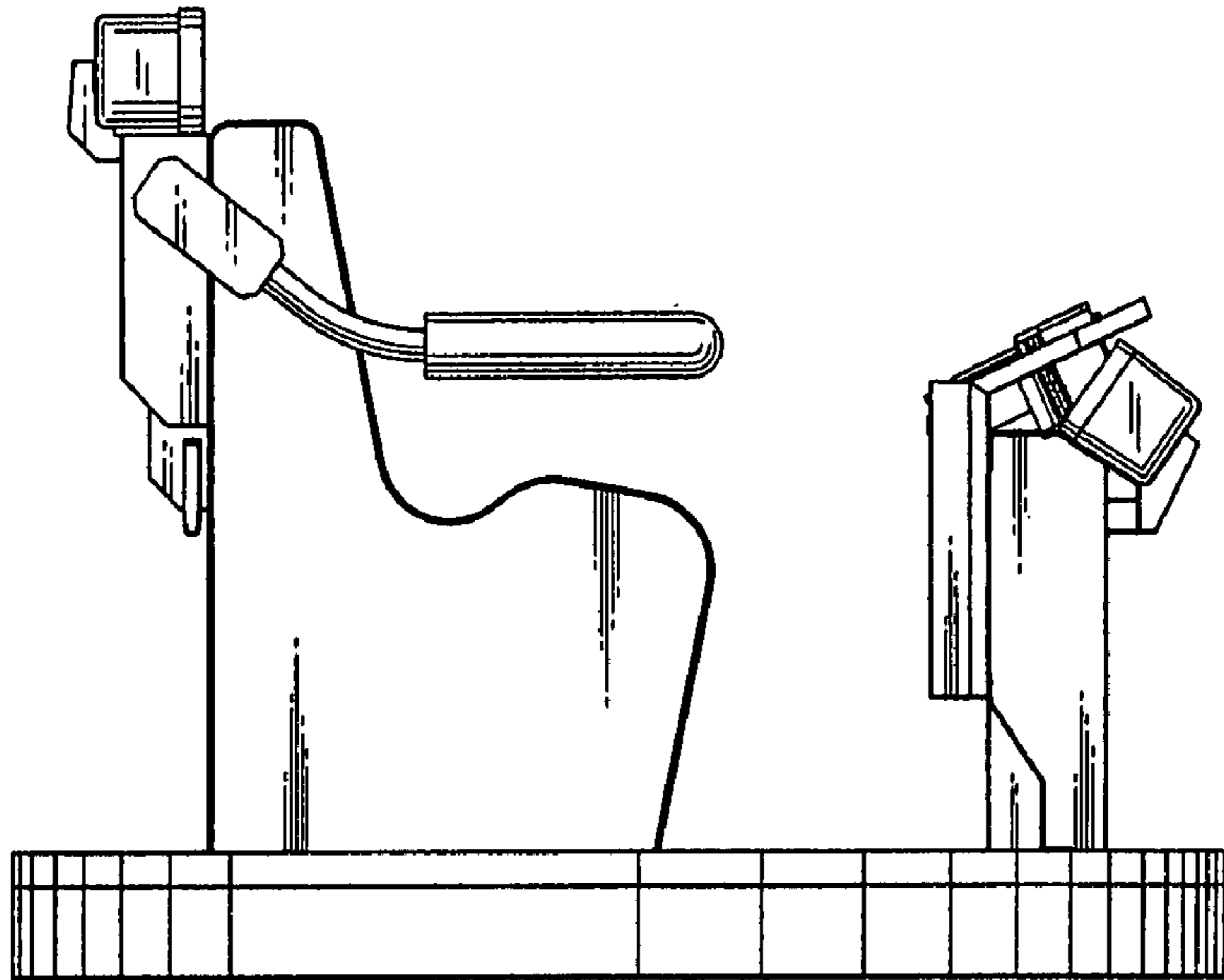


FIG. 3

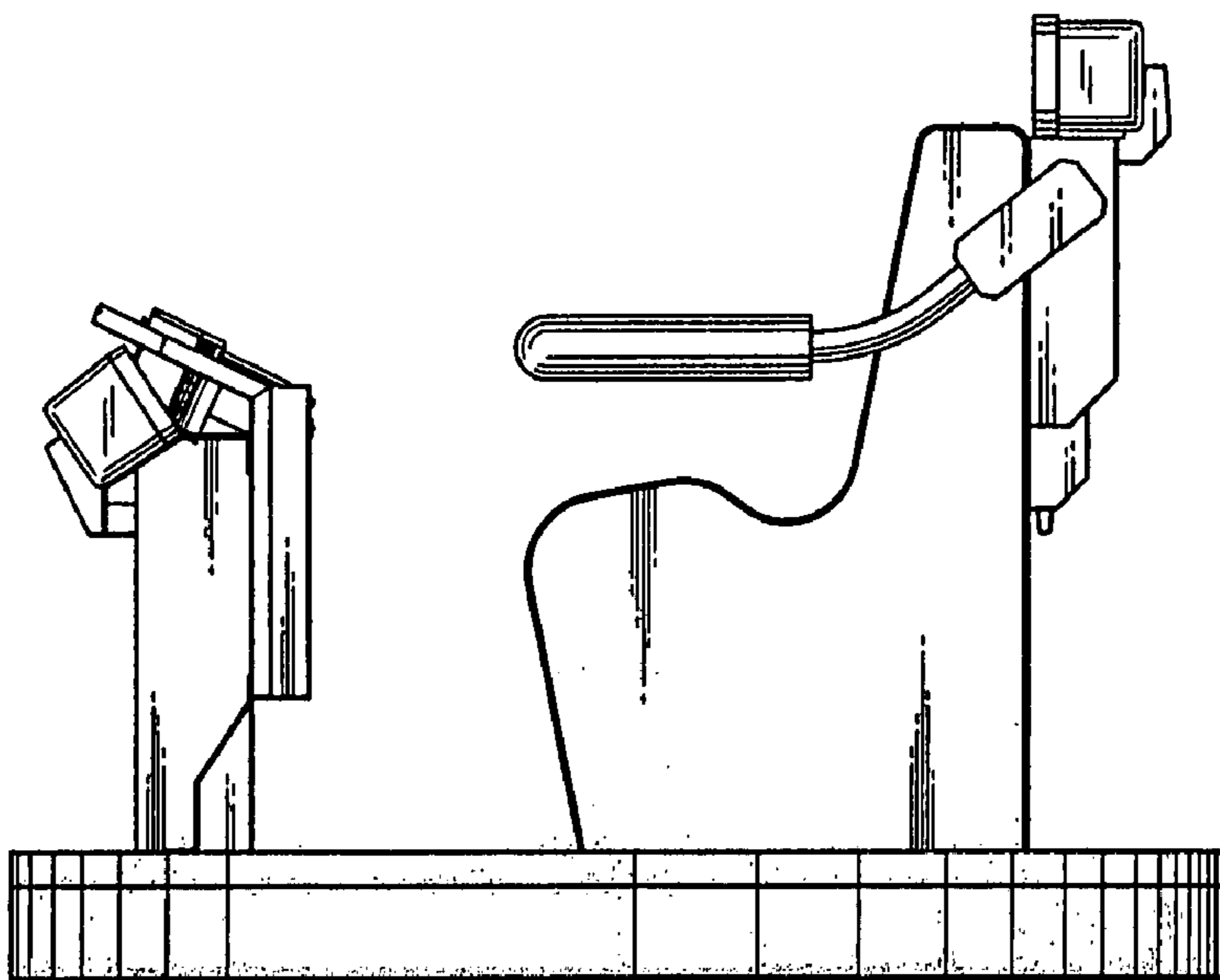


FIG.4

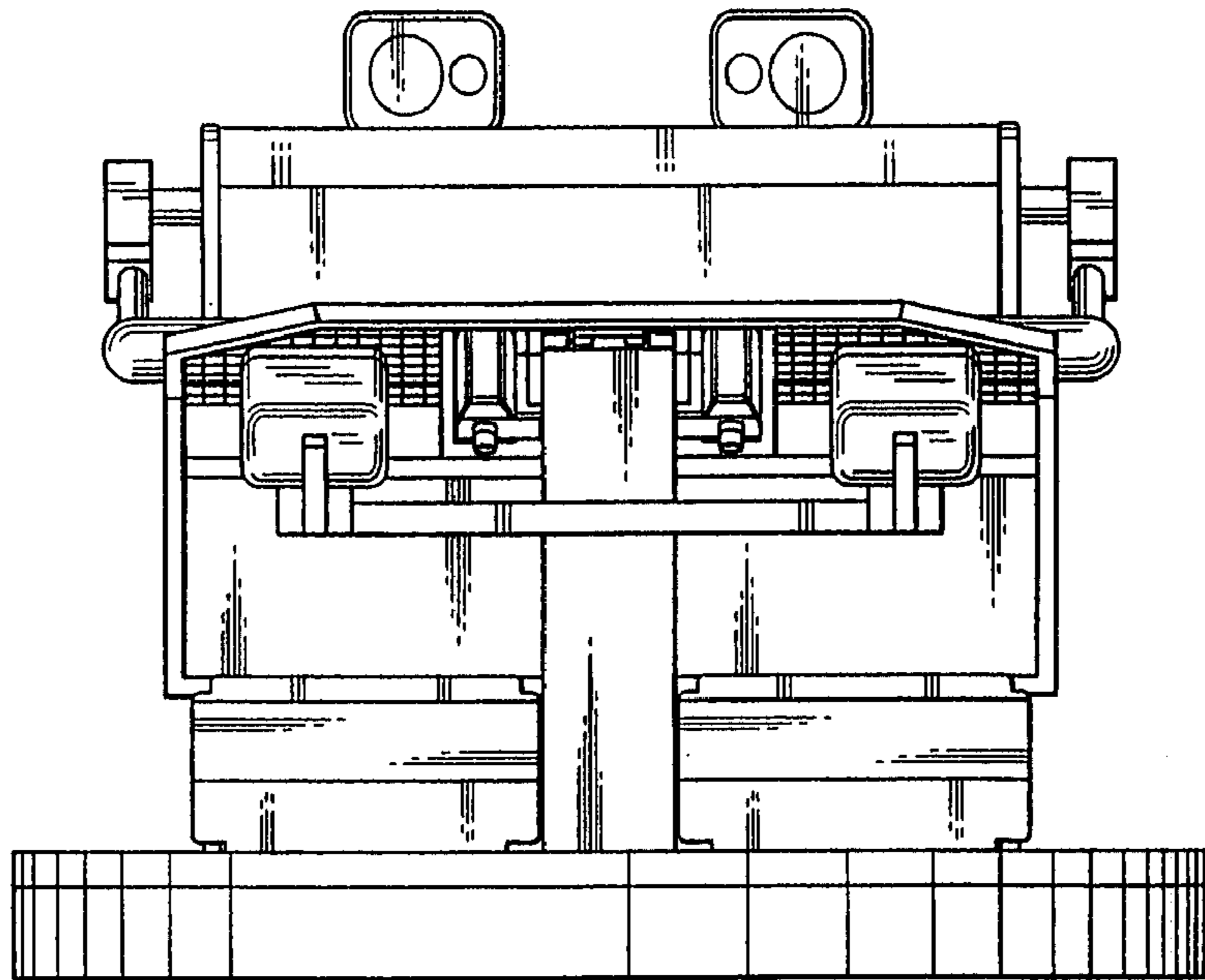


FIG.5

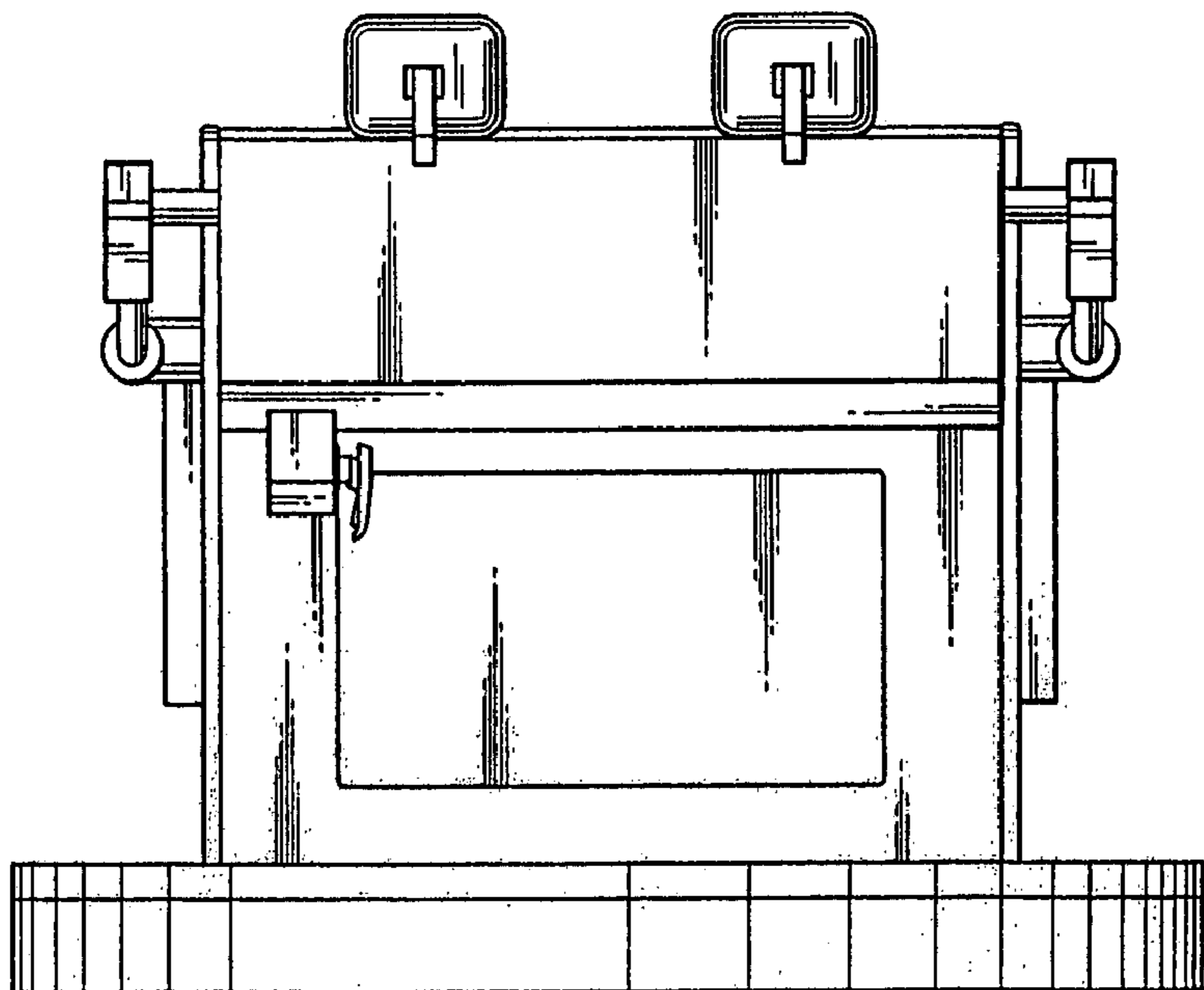


FIG.6

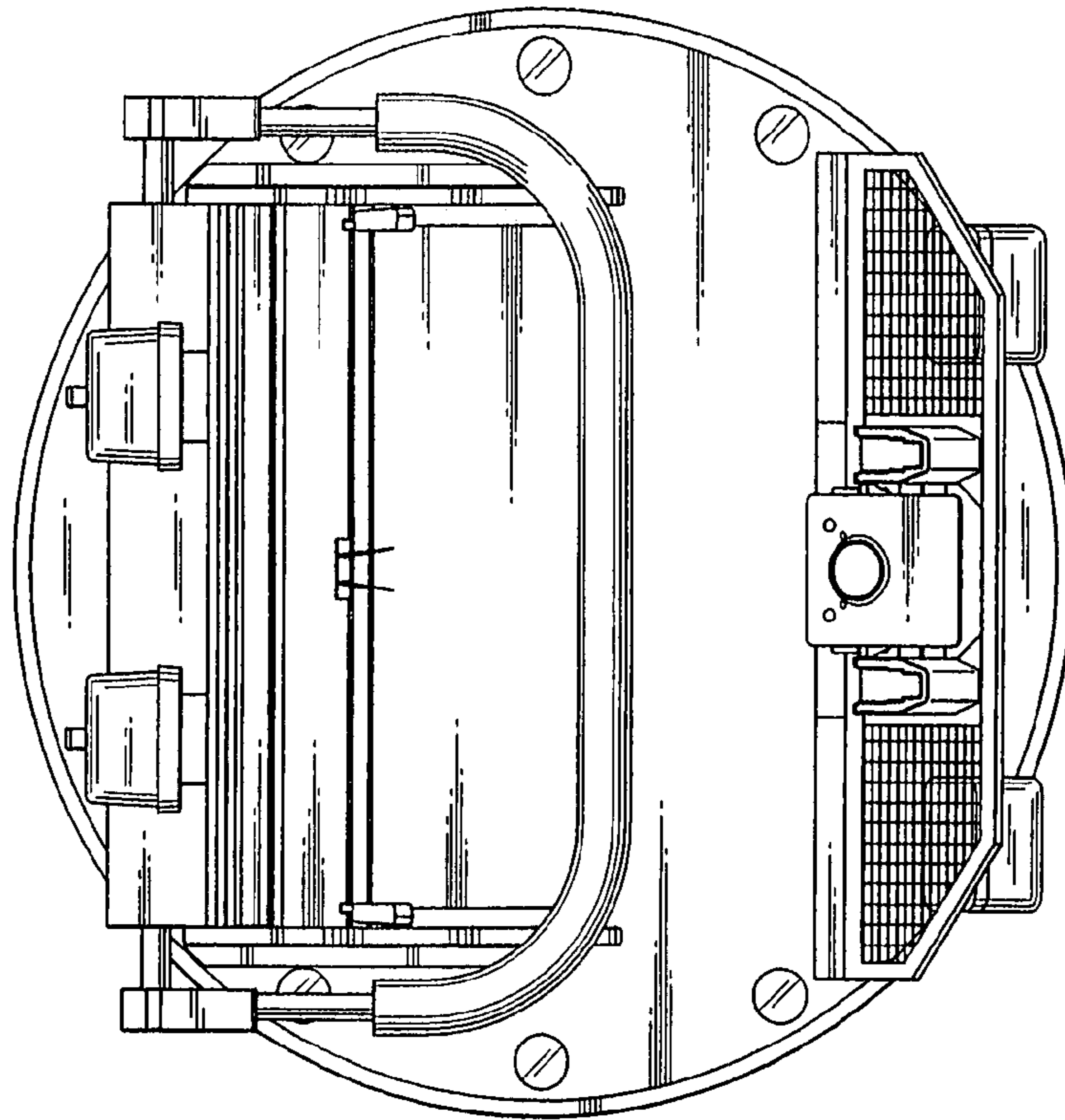


FIG.7

