



US00D565663S

(12) **United States Design Patent**  
**Yu Chen**

(10) **Patent No.:** **US D565,663 S**

(45) **Date of Patent:** **\*\* Apr. 1, 2008**

(54) **TAPE DISPENSER**

(76) **Inventor:** **Hsiu-Man Yu Chen**, No. 40, Sec. 1, Ta Fu Road, Tan Tzu Hsiang, Taichung (TW) 427

(\*\*) **Term:** **14 Years**

(21) **Appl. No.:** **29/272,882**

(22) **Filed:** **Feb. 21, 2007**

(51) **LOC (8) Cl.** ..... **19-02**

(52) **U.S. Cl.** ..... **D19/69**

(58) **Field of Classification Search** ..... D19/70, D19/69, 68; 242/588.6, 588.3, 588.2; 225/77, 225/6, 56, 39, 26, 25, 19, 11; 206/411; 156/577, 156/527, 523

See application file for complete search history.

(56) **References Cited**

**U.S. PATENT DOCUMENTS**

5,164,038	A *	11/1992	Sundqvist	.....	156/577
D333,678	S *	3/1993	Lissoni	.....	D19/69
5,393,367	A *	2/1995	Yu Chen	.....	156/523
5,725,726	A *	3/1998	Yu	.....	156/577
5,954,916	A *	9/1999	Orlandi	.....	156/386
6,159,328	A *	12/2000	Gaikoski et al.	.....	156/269
6,540,002	B1 *	4/2003	Edwards et al.	.....	156/577
6,641,081	B2 *	11/2003	Huang	.....	242/588
6,705,373	B1 *	3/2004	Yu Chen	.....	156/523

D520,061	S *	5/2006	Daunter et al.	.....	D19/69
2003/0136522	A1 *	7/2003	Hua	.....	156/577
2003/0141336	A1 *	7/2003	Yu Chen	.....	225/89
2004/0016509	A1 *	1/2004	Lissoni	.....	156/523
2006/0021193	A1 *	2/2006	Yu Chen	.....	16/111.1
2006/0131357	A1 *	6/2006	Yu Chen	.....	225/23

\* cited by examiner

*Primary Examiner*—Cathron C. Brooks

*Assistant Examiner*—Austin Murphy

(74) *Attorney, Agent, or Firm*—Ming Chow; Sinorica, LLC

(57) **CLAIM**

I claim the ornamental design for a tape dispenser, as shown and described.

**DESCRIPTION**

FIG. 1 is a front perspective view of a tape dispenser showing my new design;

FIG. 2 is a front elevational view thereof;

FIG. 3 is a rear elevational view thereof.

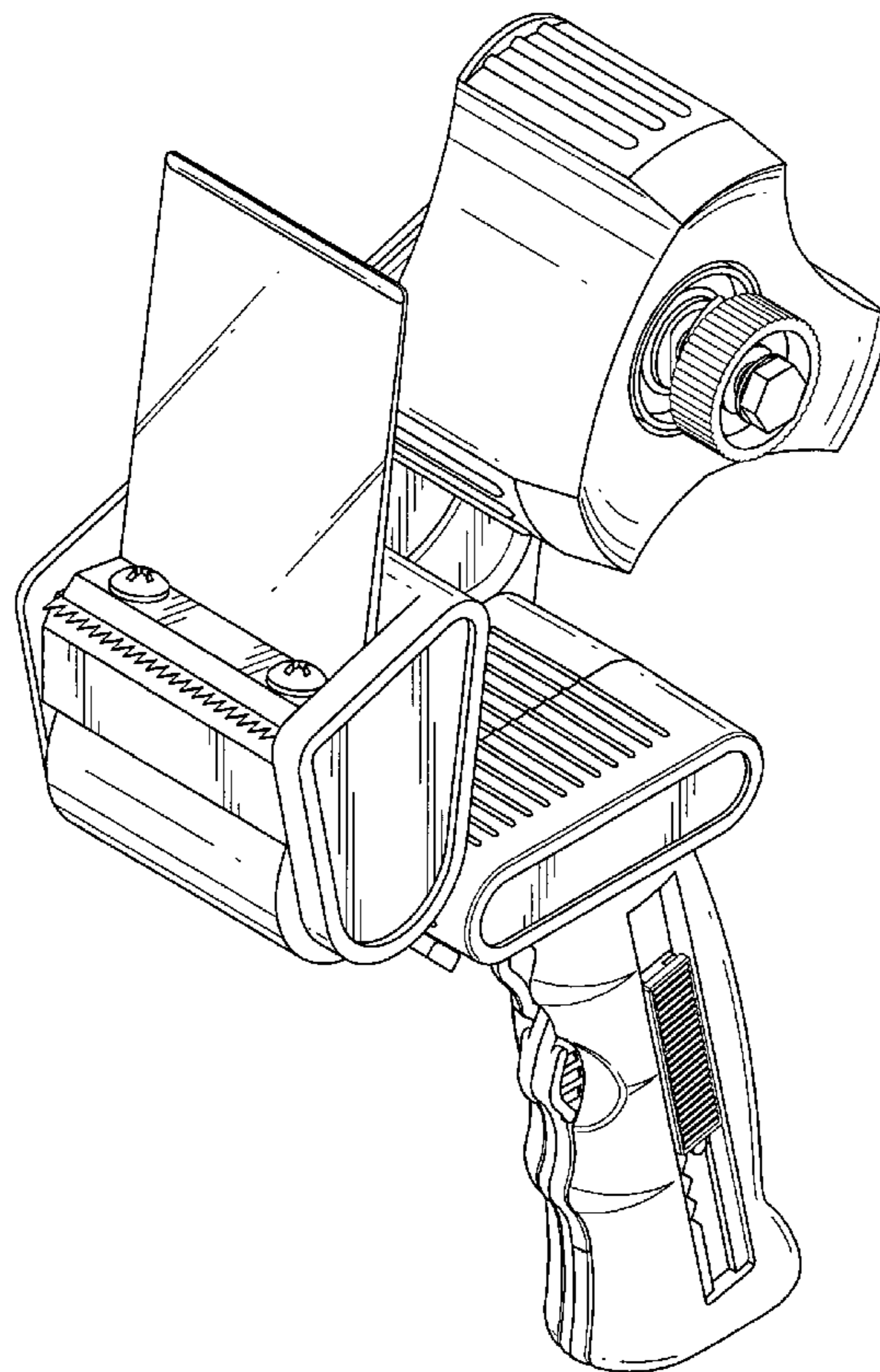
FIG. 4 is a left side elevational view thereof;

FIG. 5 is a right side elevational view thereof;

FIG. 6 is a top plan view thereof; and,

FIG. 7 is a bottom plan view thereof.

**1 Claim, 6 Drawing Sheets**



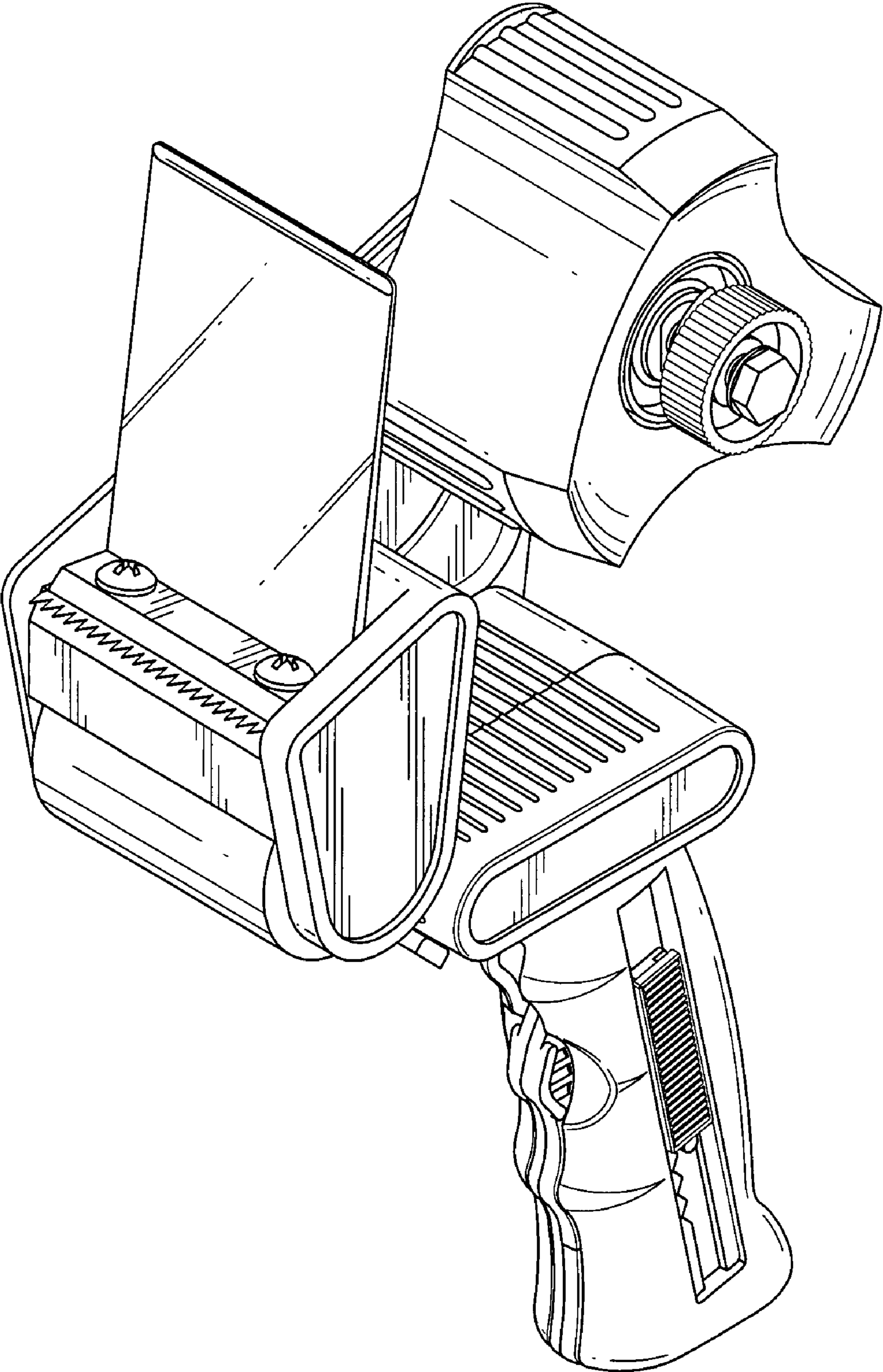


FIG. 1

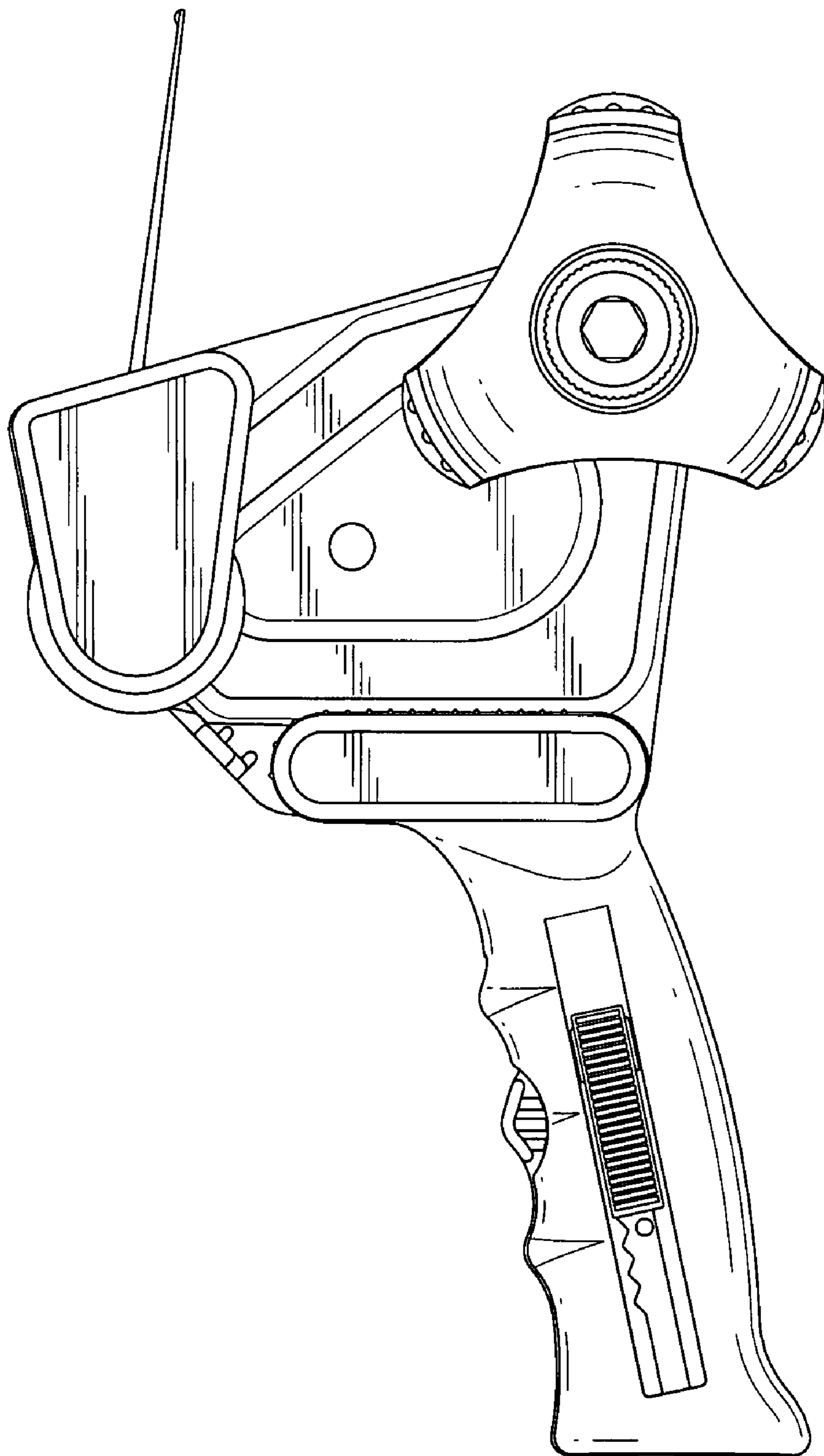


FIG. 2

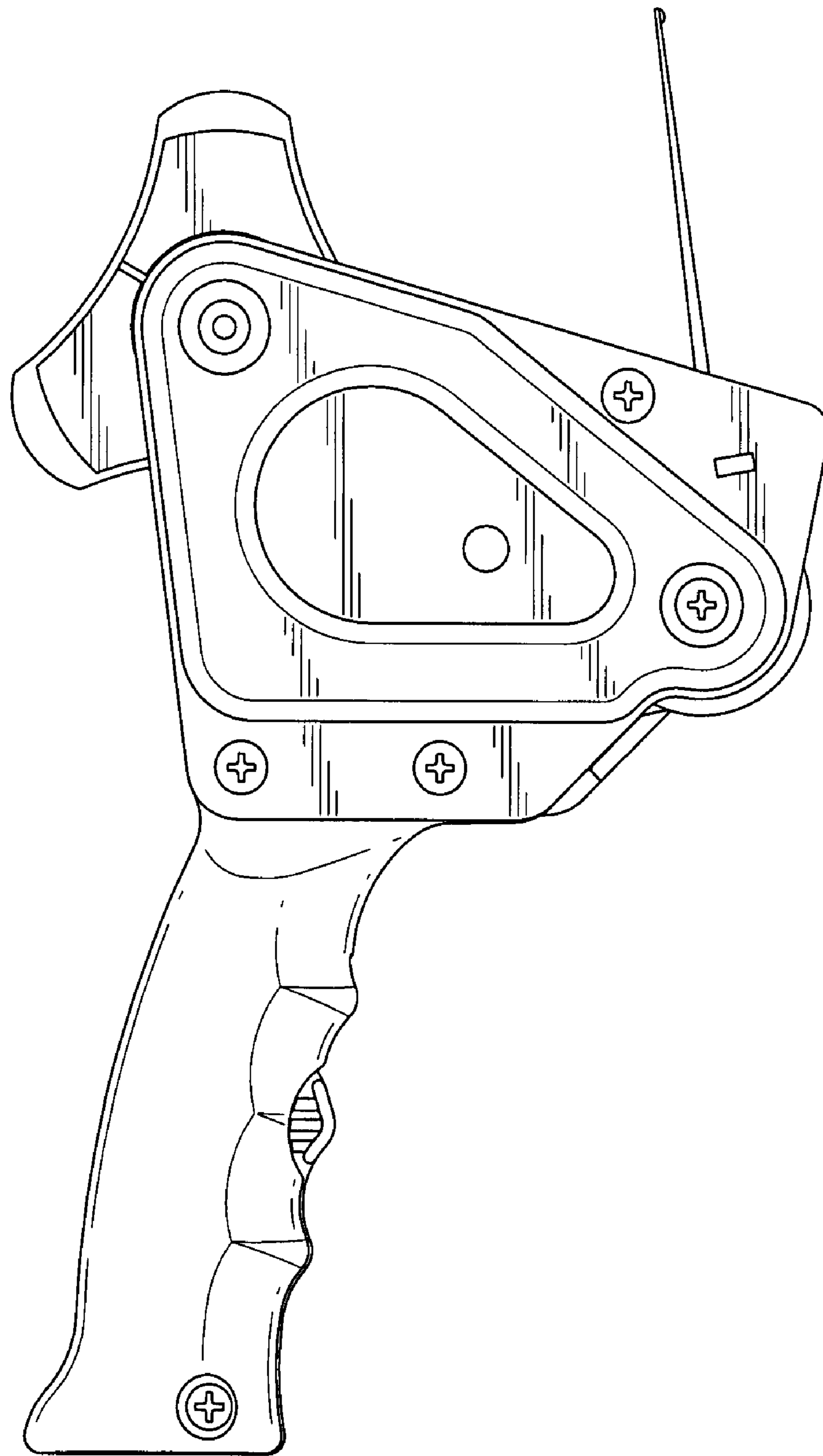


FIG. 3

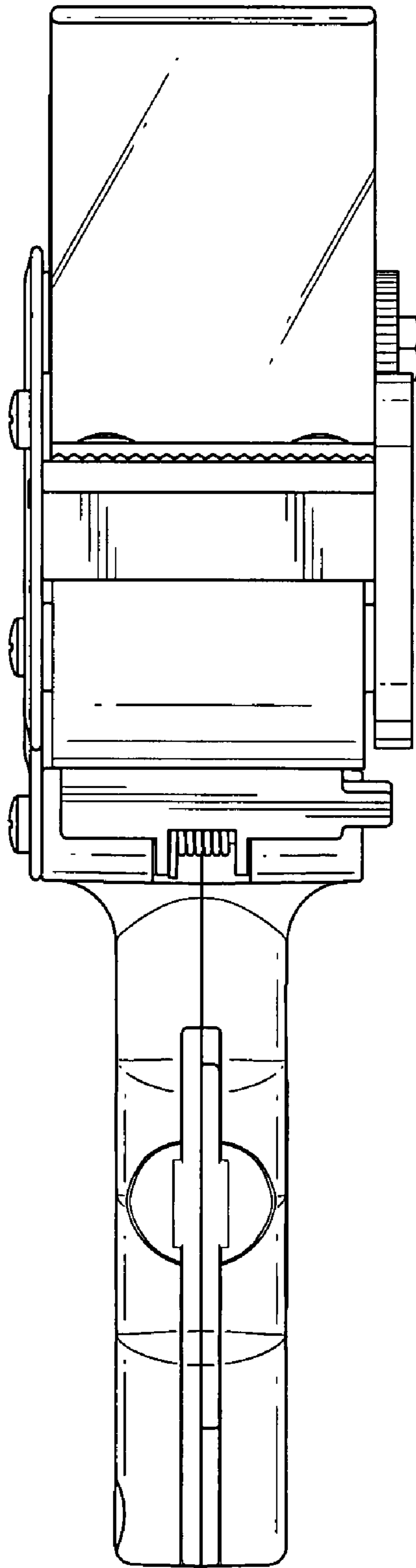


FIG. 4

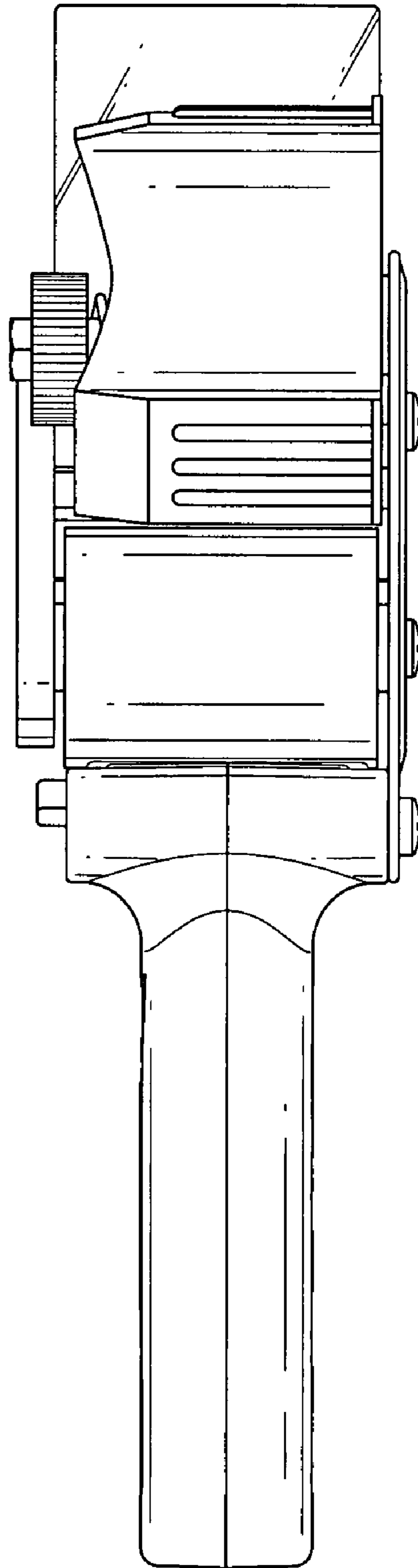


FIG. 5

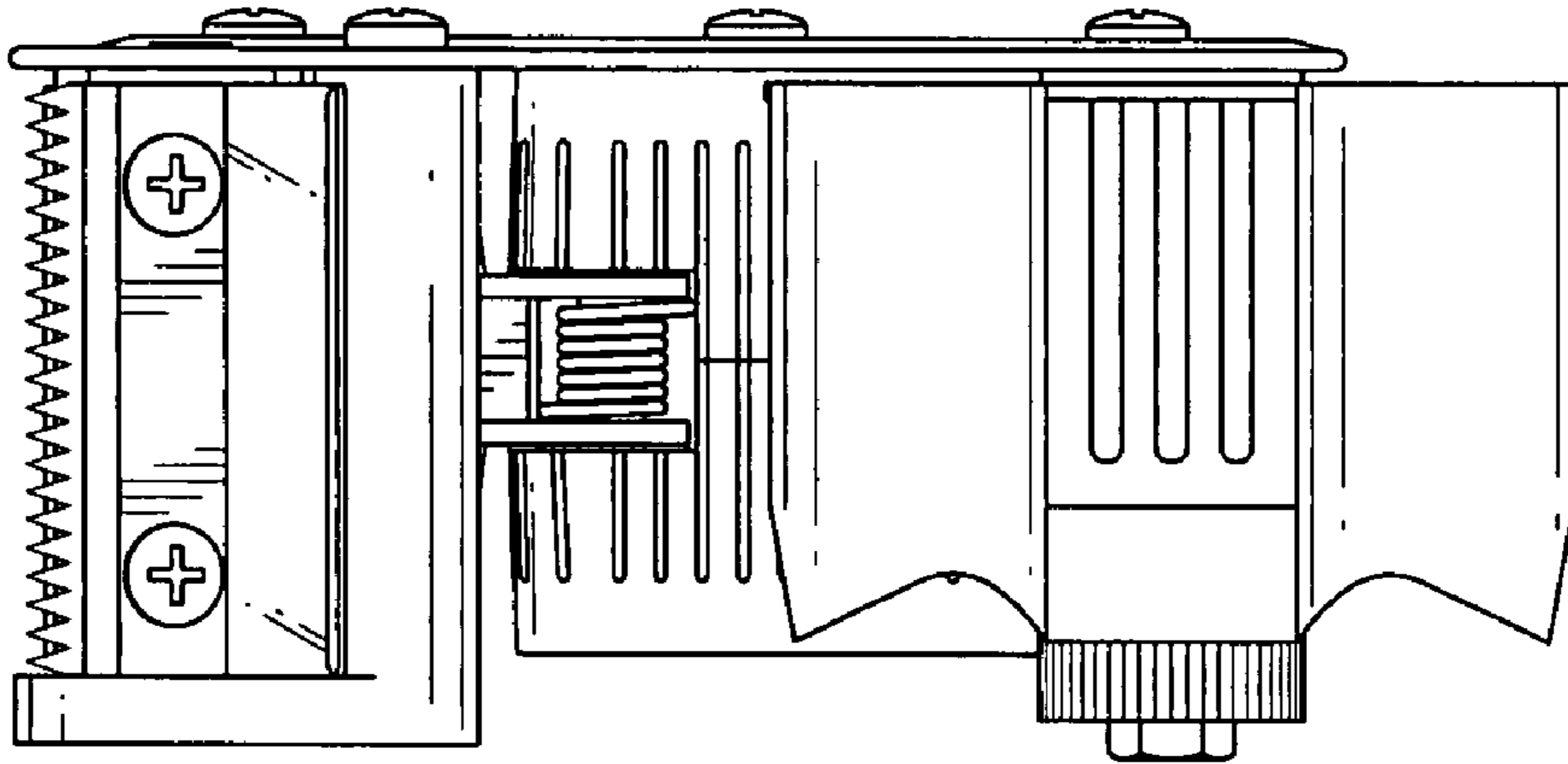


FIG. 6

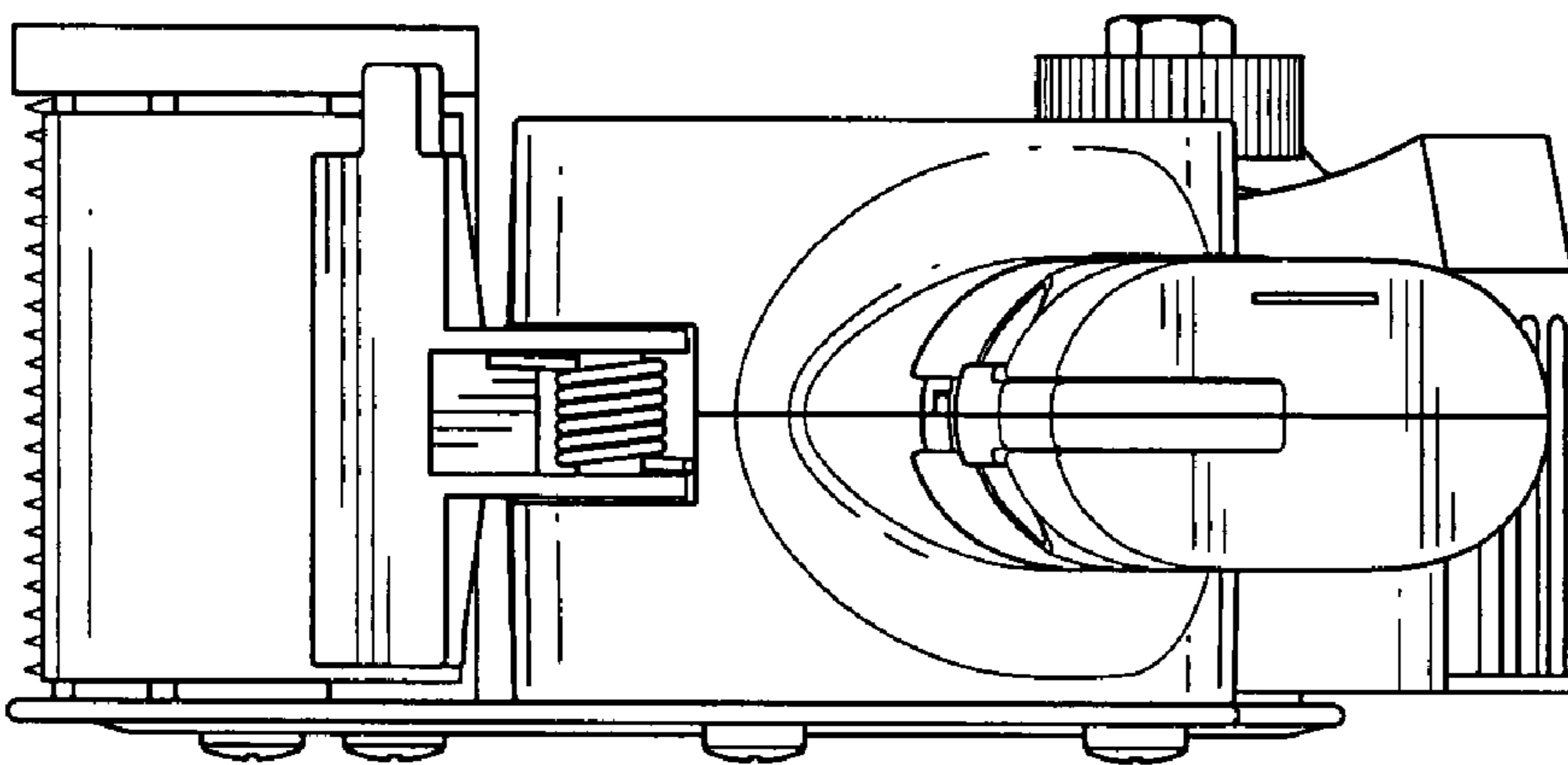


FIG. 7