



US00D565662S

(12) **United States Design Patent**  
**Reardon et al.**

(10) **Patent No.:** **US D565,662 S**  
(45) **Date of Patent:** **\*\* Apr. 1, 2008**

(54) **PAPER CLIP**

2005/0259524 A1\* 11/2005 Yeh ..... 369/25.01

(75) Inventors: **Kevin M. Reardon**, Chester, NJ (US);  
**Angela Smith**, Novato, CA (US)

\* cited by examiner

(73) Assignee: **Carretta USA, Inc.**, Mt. Arlington, NJ  
(US)

*Primary Examiner*—Cathron C. Brooks

*Assistant Examiner*—Austin Murphy

(74) *Attorney, Agent, or Firm*—Lerner, David, Littenberg,  
Krumholz & Mentlik, LLP

(\*\*) Term: **14 Years**

(21) Appl. No.: **29/288,689**

(22) Filed: **Jun. 18, 2007**

(57) **CLAIM**

We claim the ornamental design for a paper clip, as shown  
and described.

(51) **LOC (8) Cl.** ..... **19-02**

(52) **U.S. Cl.** ..... **D19/65; D8/395**

(58) **Field of Classification Search** ..... D19/65,  
D19/86, 78; D28/40, 92; D11/78.1; D8/395;  
24/67.3, 67.9, 326, 552, 504; 248/302; 132/276  
See application file for complete search history.

**DESCRIPTION**

FIG. 1 is front, perspective view of a paper clip in accordance  
with the present invention;

FIG. 2 is a front, elevational view of the paper clip shown  
in FIG. 1;

FIG. 3 is a rear, elevational view of the paper clip shown in  
FIG. 1;

FIG. 4 is a left side, elevational view of the paper clip shown  
in FIG. 1, with the right side, elevational view being the  
mirror image thereof;

FIG. 5 is a top, elevational view of the paper clip shown in  
FIG. 1; and,

FIG. 6 is a bottom, elevational view of the paper clip shown  
in FIG. 1.

The broken lines shown in the drawings form no part of the  
claimed design.

(56) **References Cited**

U.S. PATENT DOCUMENTS

4,141,119	A *	2/1979	Nodo	24/504
D302,568	S *	8/1989	Berger	D19/65
4,941,381	A *	7/1990	Garner	83/468.94
5,079,808	A *	1/1992	Brown	24/67.7
D335,078	S *	4/1993	Hampshire	D8/395
D375,976	S *	11/1996	Marguerie	D19/65
5,638,583	A *	6/1997	Tseng	24/67.5
D445,834	S *	7/2001	Huang	D19/78
D477,029	S *	7/2003	Korowitz	D19/78
D511,964	S *	11/2005	Mariano et al.	D8/395
D522,850	S *	6/2006	Mandel	D8/395
D525,117	S *	7/2006	Mariano et al.	D8/395

**1 Claim, 2 Drawing Sheets**

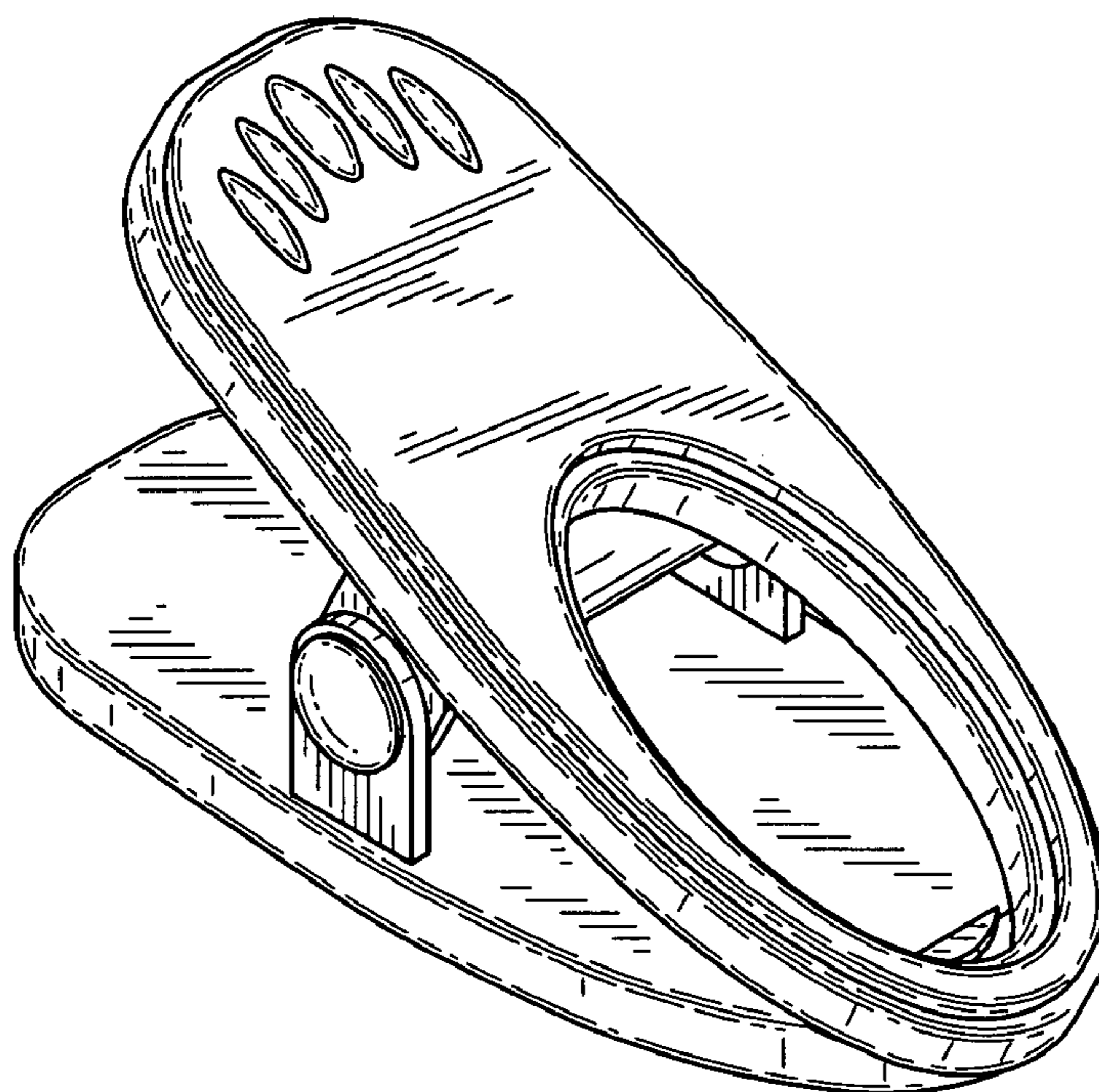


FIG. 1

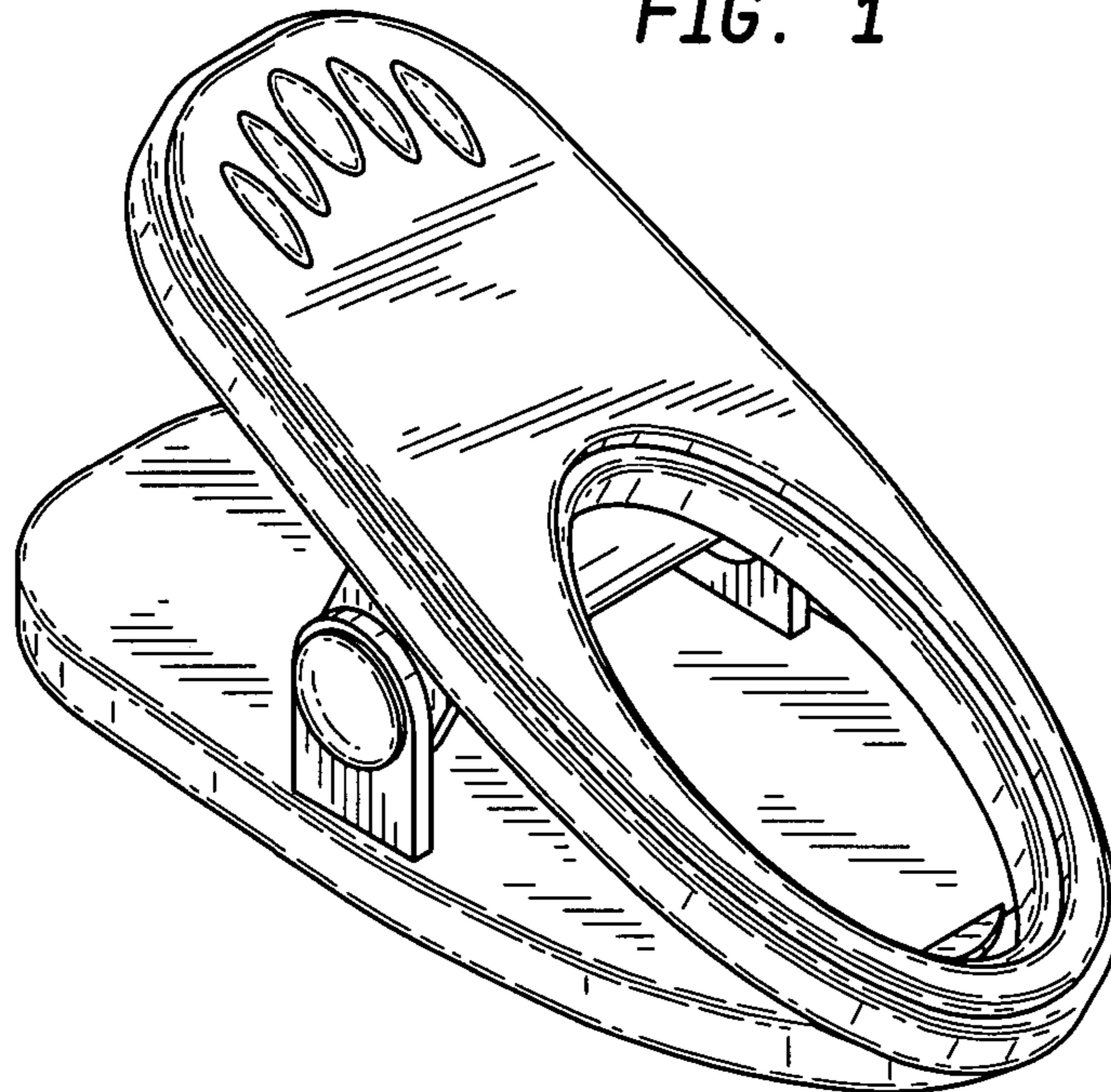


FIG. 2

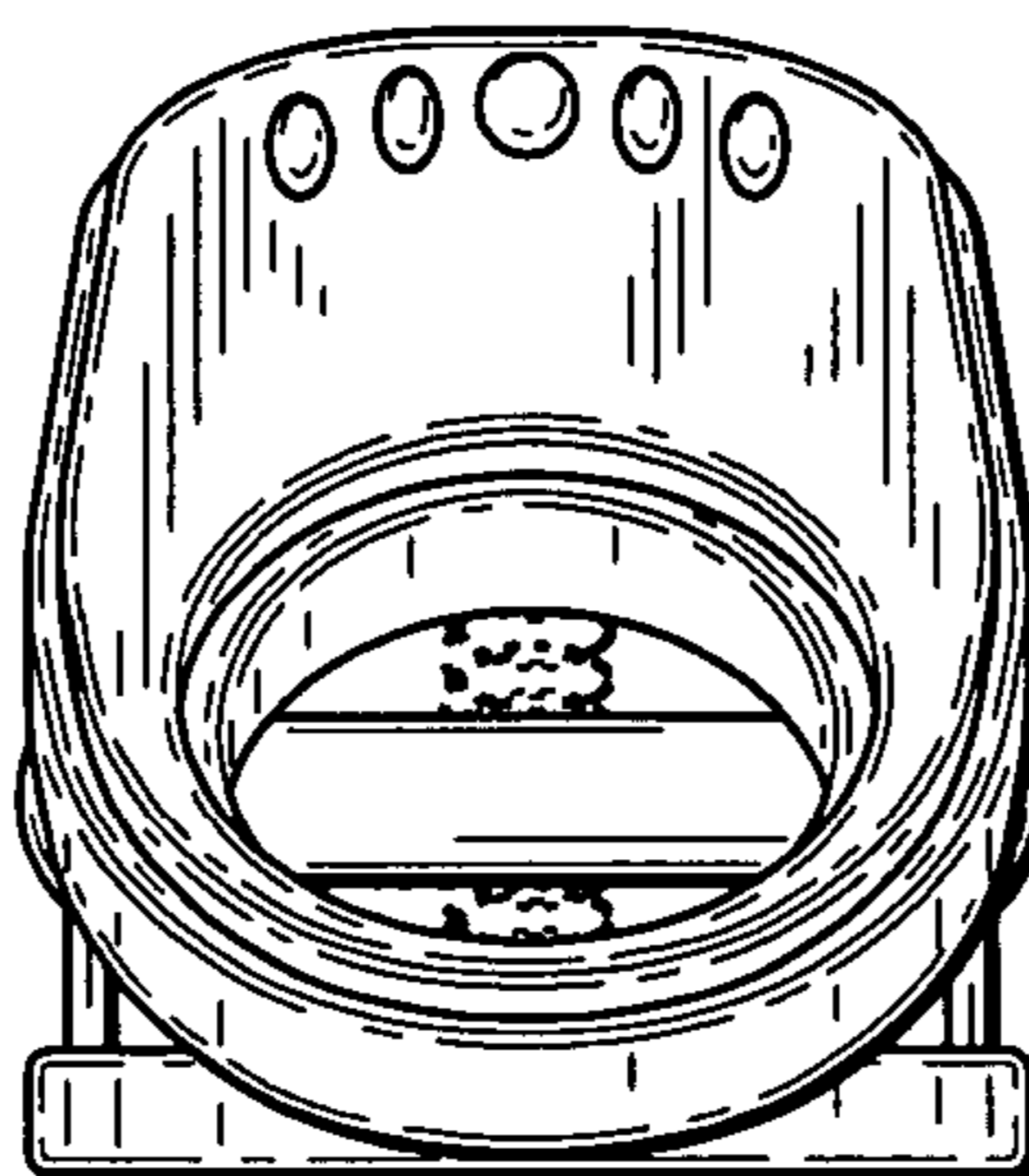


FIG. 3

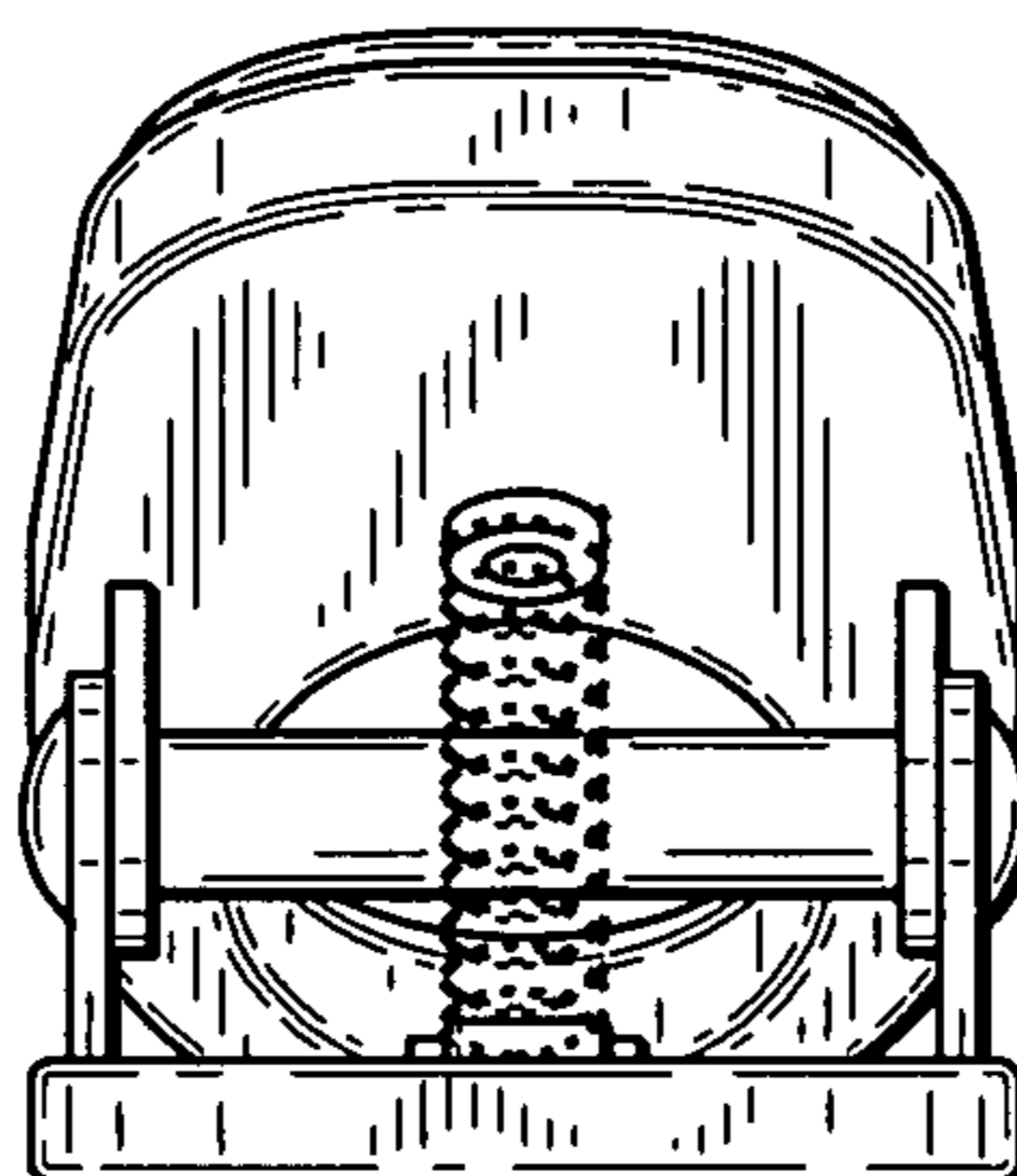


FIG. 4

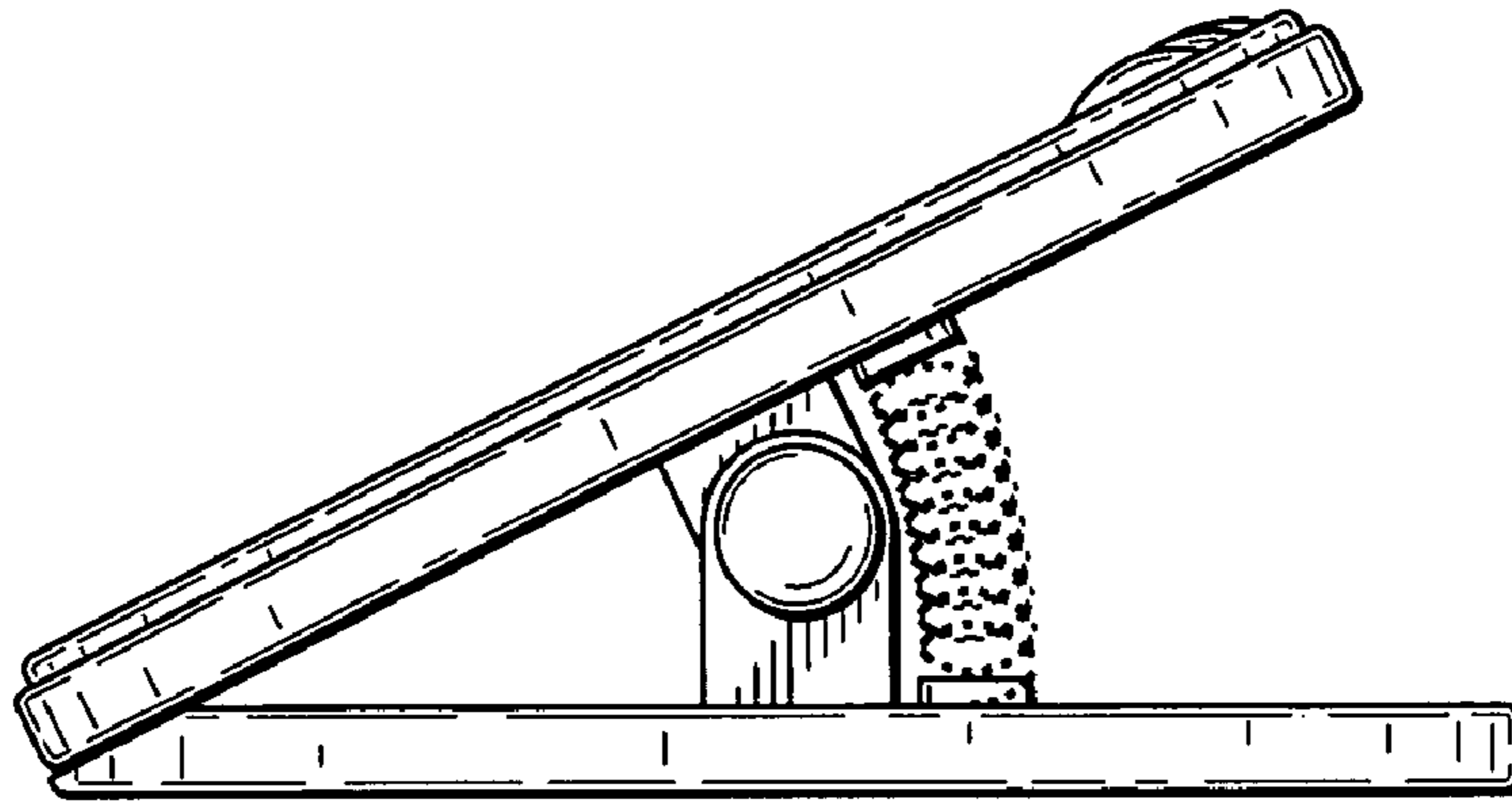


FIG. 5

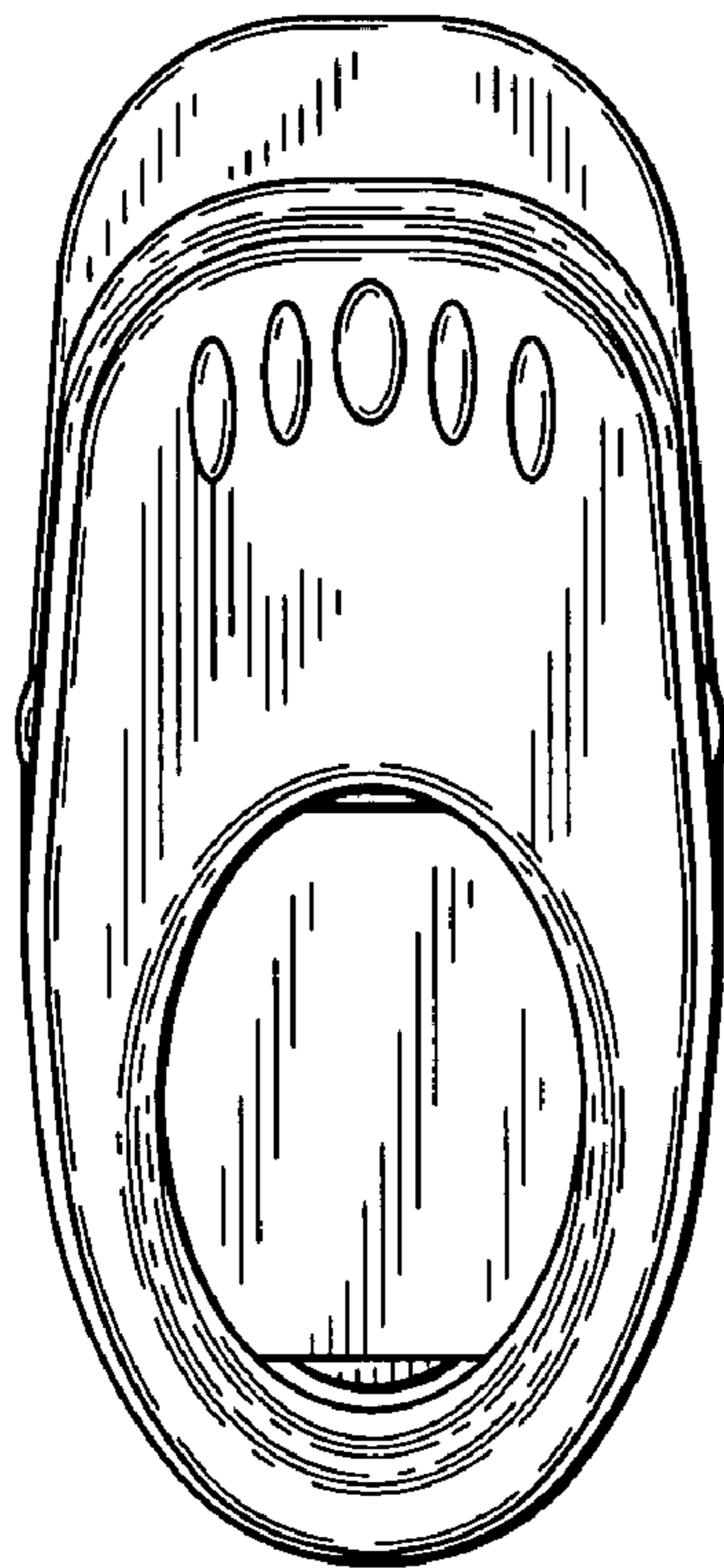


FIG. 6

