



US00D565661S

(12) **United States Design Patent** (10) **Patent No.:** **US D565,661 S**  
**Lau** (45) **Date of Patent:** **\*\* Apr. 1, 2008**

(54) **INTEGRATED TABBED NOTE AND CLIP**

(76) Inventor: **Janet K. Lau**, 1937 Abreu Way, Union City, CA (US) 94587

(\*\*) Term: **14 Years**

(21) Appl. No.: **29/275,693**

(22) Filed: **Jan. 4, 2007**

(51) **LOC (8) Cl.** ..... **19-02**

(52) **U.S. Cl.** ..... **D19/65**

(58) **Field of Classification Search** ..... D6/515;  
D7/686; D8/16; D19/1, 2, 5, 6, 34, 65, 86,  
D19/90, 91, 99; D20/22, 40, 43; 24/67 R,  
24/67.3, 67.5, 67.7, 67.9, 67.11, 545, 546,  
24/547, 551, 552, 555; 40/300, 301, 302,  
40/360, 384, 641, 651, 653, 658, 659, 666;  
116/236, 237

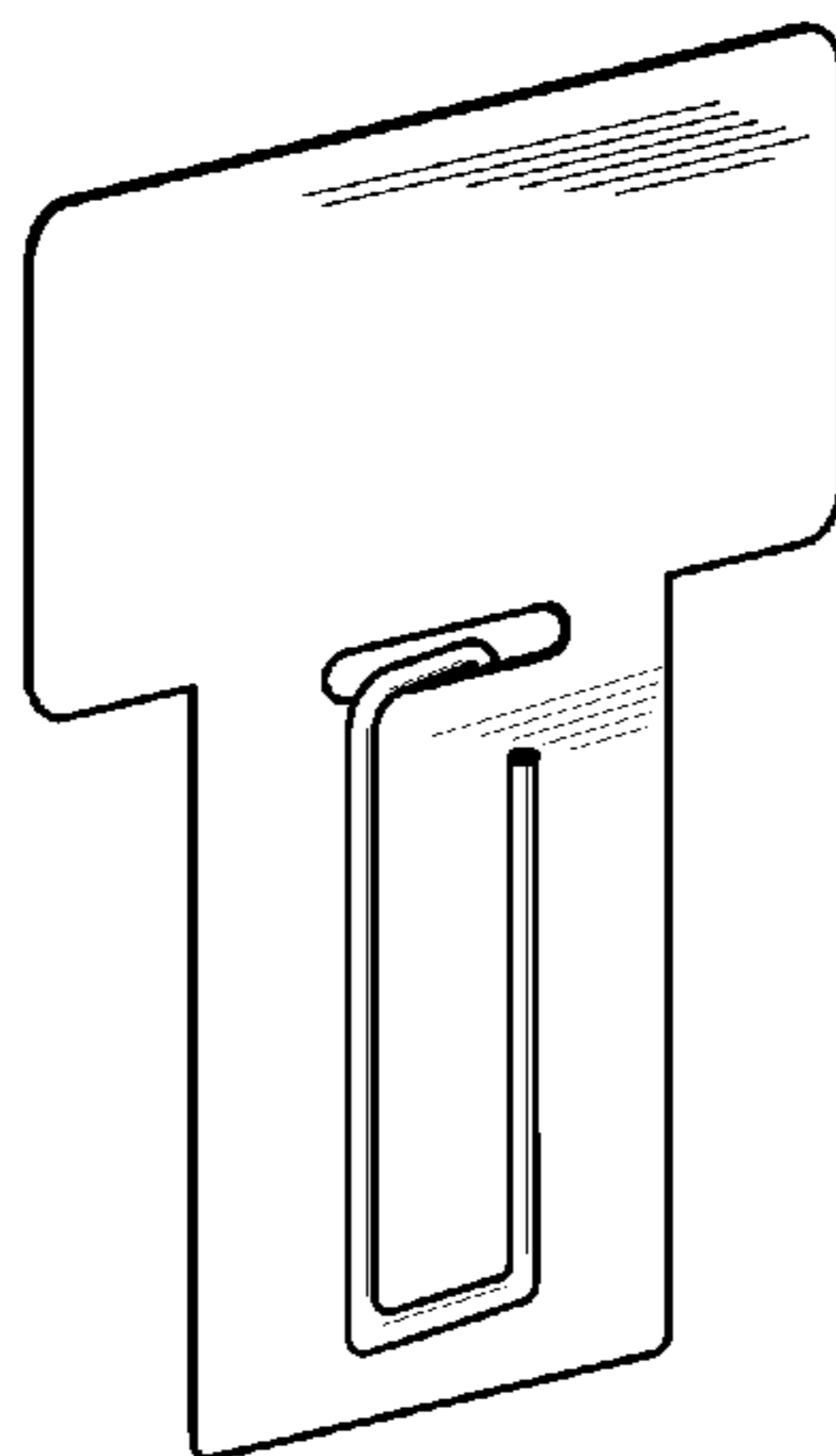
See application file for complete search history.

(56) **References Cited**

**U.S. PATENT DOCUMENTS**

332,327 A 12/1885 Clark  
863,265 A 8/1907 Crouse  
876,252 A 1/1908 Baker  
962,397 A 6/1910 Whitmore  
1,052,505 A 2/1913 Munger et al.  
1,053,008 A \* 2/1913 Carbis ..... 24/552  
1,123,008 A 12/1914 Rice  
1,133,664 A \* 3/1915 Plummer ..... 24/555  
1,158,940 A 11/1915 Litt et al.  
1,178,113 A 4/1916 Turton et al.  
D50,594 S 4/1917 Voges  
1,345,365 A 7/1920 Hutchison  
1,465,576 A 8/1923 Biggs  
1,501,067 A 7/1924 Schaffert  
1,524,478 A 1/1925 Hunter  
1,531,249 A \* 3/1925 Barman ..... 101/127.1  
1,543,295 A 6/1925 Parker  
1,587,335 A 6/1926 Kline  
1,661,165 A 3/1928 Cameron  
1,778,031 A 10/1930 Kinch  
1,802,980 A 4/1931 Marsh

1,826,580 A 10/1931 Spinney  
1,840,604 A 1/1932 Randall  
1,894,906 A 1/1933 Henry  
1,914,671 A 6/1933 O'Neil  
1,976,465 A 10/1934 Thomson  
1,977,096 A 10/1934 Straubel  
1,985,866 A 12/1934 Lankenau  
1,997,894 A 4/1935 Woodley  
2,008,019 A 7/1935 Horlick, Jr.  
D97,328 S 10/1935 Glasser  
2,118,043 A 5/1938 Goza  
2,156,743 A 5/1939 Skrebba  
2,314,578 A \* 3/1943 Erb ..... 283/42  
2,323,552 A 7/1943 Marion  
D136,639 S 11/1943 Hoffman  
2,362,445 A 11/1944 Blodgett  
2,415,248 A 2/1947 Kenna et al.  
2,420,021 A 5/1947 Straubel  
2,623,311 A 12/1952 Condon  
2,674,972 A 4/1954 Luther  
3,057,028 A \* 10/1962 Lorber ..... 24/67.9  
3,073,046 A 1/1963 Condon  
3,123,924 A 3/1964 Roberts  
3,144,507 A \* 8/1964 Scadron ..... 174/84 R  
3,225,469 A 12/1965 Chase  
3,290,810 A 12/1966 Morena  
3,360,877 A 1/1968 Estep  
3,840,943 A \* 10/1974 Langwell ..... 24/67.9  
3,934,368 A 1/1976 Fearing  
D241,342 S 9/1976 Carroll  
4,019,759 A \* 4/1977 Stanton ..... 283/42  
D263,243 S 3/1982 Creamer  
D268,848 S 5/1983 Lorber  
4,384,417 A 5/1983 Thompson  
4,425,724 A 1/1984 Scott  
4,646,455 A 3/1987 Gardner  
4,691,458 A 9/1987 Scott  
D305,036 S 12/1989 Voetsch  
4,930,234 A \* 6/1990 Schmidt ..... 40/1.5  
4,949,435 A \* 8/1990 Michelson ..... 24/67.9  
4,951,408 A 8/1990 Banks  
D314,012 S 1/1991 Klodt  
5,199,203 A 4/1993 Jones  
5,406,680 A \* 4/1995 Silverberg ..... 24/67.9  
5,481,784 A 1/1996 Sinaiko  
D368,487 S 4/1996 Lindberg  
5,507,459 A 4/1996 Kiera  
5,553,854 A \* 9/1996 Rum ..... 273/275  
D383,789 S 9/1997 Shyu



|              |     |         |              |         |
|--------------|-----|---------|--------------|---------|
| 5,695,219    | A   | 12/1997 | Crawford     |         |
| 5,996,130    | A   | 12/1999 | Verhines     |         |
| D465,525     | S   | 11/2002 | Dilday       |         |
| D480,754     | S   | 10/2003 | Berger       |         |
| D520,065     | S   | 5/2006  | Doyle        |         |
| 2005/0217078 | A1  | 10/2005 | Groch et al. |         |
| 2006/0000133 | A1  | 1/2006  | Windorski    |         |
| 2007/0062833 | A1* | 3/2007  | Smith        | 206/425 |

FOREIGN PATENT DOCUMENTS

|    |             |   |         |
|----|-------------|---|---------|
| JP | 09-071065   | A | 3/1997  |
| JP | 2001-353992 | A | 12/2001 |

\* cited by examiner

*Primary Examiner*—Cathron C. Brooks  
*Assistant Examiner*—Austin Murphy  
 (74) *Attorney, Agent, or Firm*—Aka Chan LLP

(57) **CLAIM**

The ornamental design for an integrated tabbed note and clip, as shown and described.

**DESCRIPTION**

FIG. 1 shows a perspective view of a first embodiment of a design for an integrated tabbed note and clip.

FIG. 2 shows a front view of the first embodiment.

FIG. 3 shows a right-side view of the first embodiment. A left-side view of this embodiment is a mirror image of this figure.

FIG. 4 shows a back view of the first embodiment.

FIG. 5 shows a top view of the first embodiment.

FIG. 6 shows a bottom view of the first embodiment.

FIG. 7 shows a perspective view of a second embodiment.

FIG. 8 shows a front view of the second embodiment.

FIG. 9 shows a right-side view of the second embodiment. A left-side view of this embodiment is a mirror image of this figure.

FIG. 10 shows a back view of the second embodiment.

FIG. 11 shows a top view of the second embodiment.

FIG. 12 shows a bottom view of the second embodiment.

FIG. 13 shows a perspective view of a third embodiment.

FIG. 14 shows a front view of the third embodiment.

FIG. 15 shows a right-side view of the third embodiment. A left-side view of this embodiment is a mirror image of this figure.

FIG. 16 shows a back view of the third embodiment.

FIG. 17 shows a top view of the third embodiment.

FIG. 18 shows a bottom view of the third embodiment.

FIG. 19 shows a perspective view of a fourth embodiment.

FIG. 20 shows a front view of the fourth embodiment.

FIG. 21 shows a right-side view of the fourth embodiment. A left-side view of this embodiment is a mirror image of this figure.

FIG. 22 shows a back view of the fourth embodiment.

FIG. 23 shows a top view of the fourth embodiment.

FIG. 24 shows a bottom view of the fourth embodiment.

FIG. 25 shows a perspective view of a fifth embodiment.

FIG. 26 shows a front view of the fifth embodiment.

FIG. 27 shows a right-side view of the fifth embodiment. A left-side view of this embodiment is a mirror image of this figure.

FIG. 28 shows a back view of the fifth embodiment.

FIG. 29 shows a top view of the fifth embodiment.

FIG. 30 shows a bottom view of the fifth embodiment.

FIG. 31 shows a perspective view of a sixth embodiment.

FIG. 32 shows a front view of the sixth embodiment.

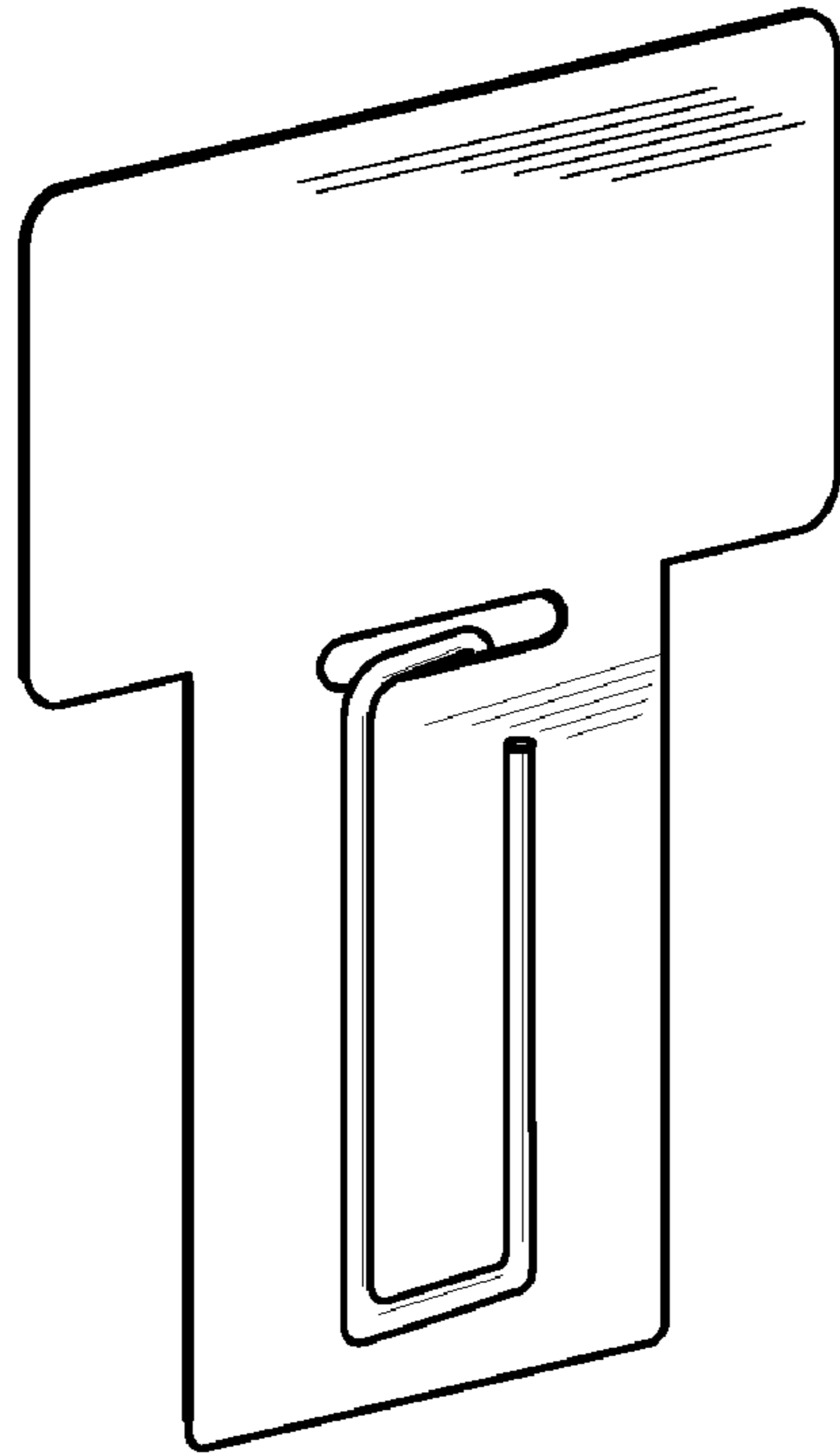
FIG. 33 shows a right-side view of the sixth embodiment. A left-side view of this embodiment is a mirror image of this figure.

FIG. 34 shows a back view of the sixth embodiment.

FIG. 35 shows a top view of the sixth embodiment; and,

FIG. 36 shows a bottom view of the sixth embodiment.

**1 Claim, 6 Drawing Sheets**



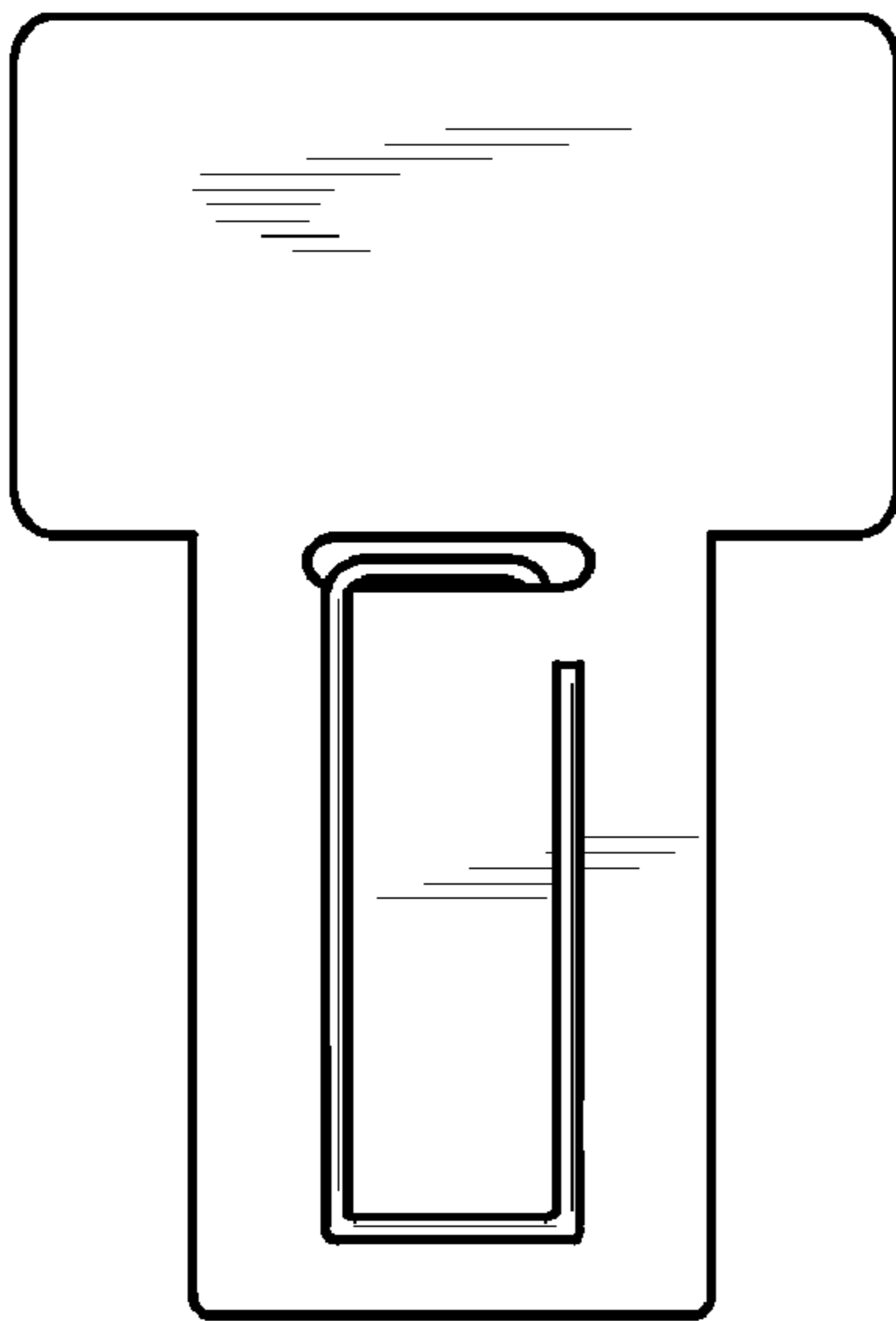
*FIG. 1*



*FIG. 5*



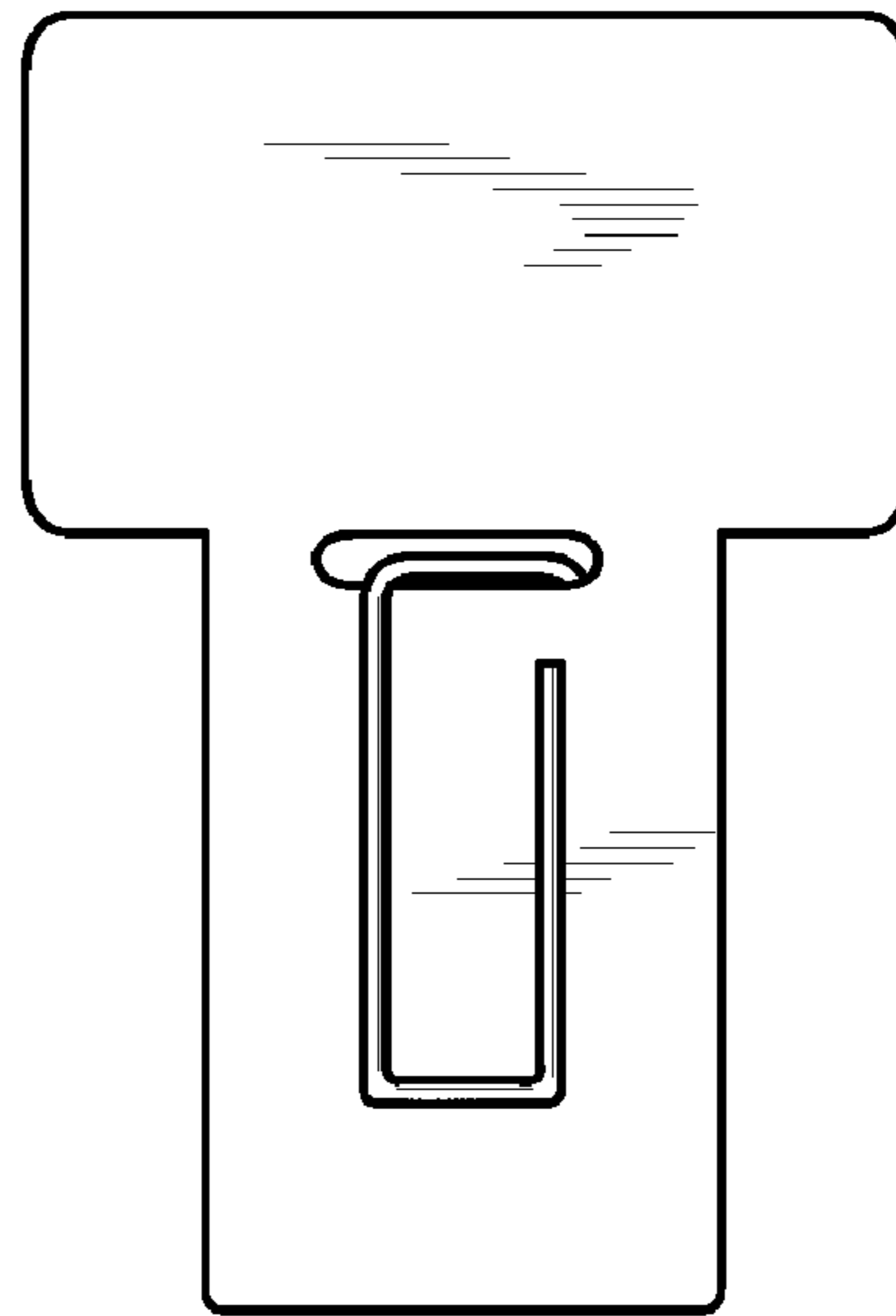
*FIG. 6*



*FIG. 2*

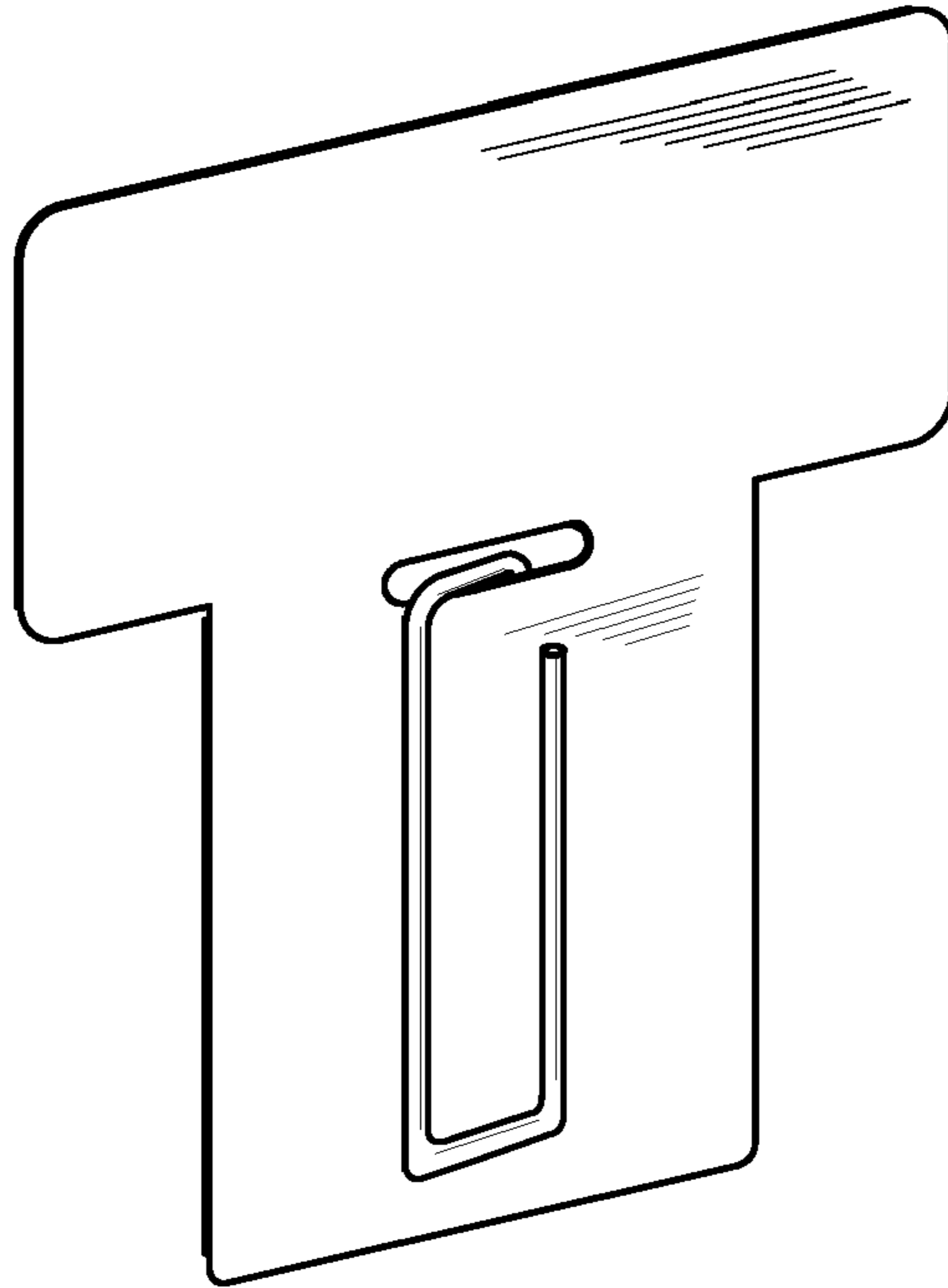


*FIG. 3*



*FIG. 4*

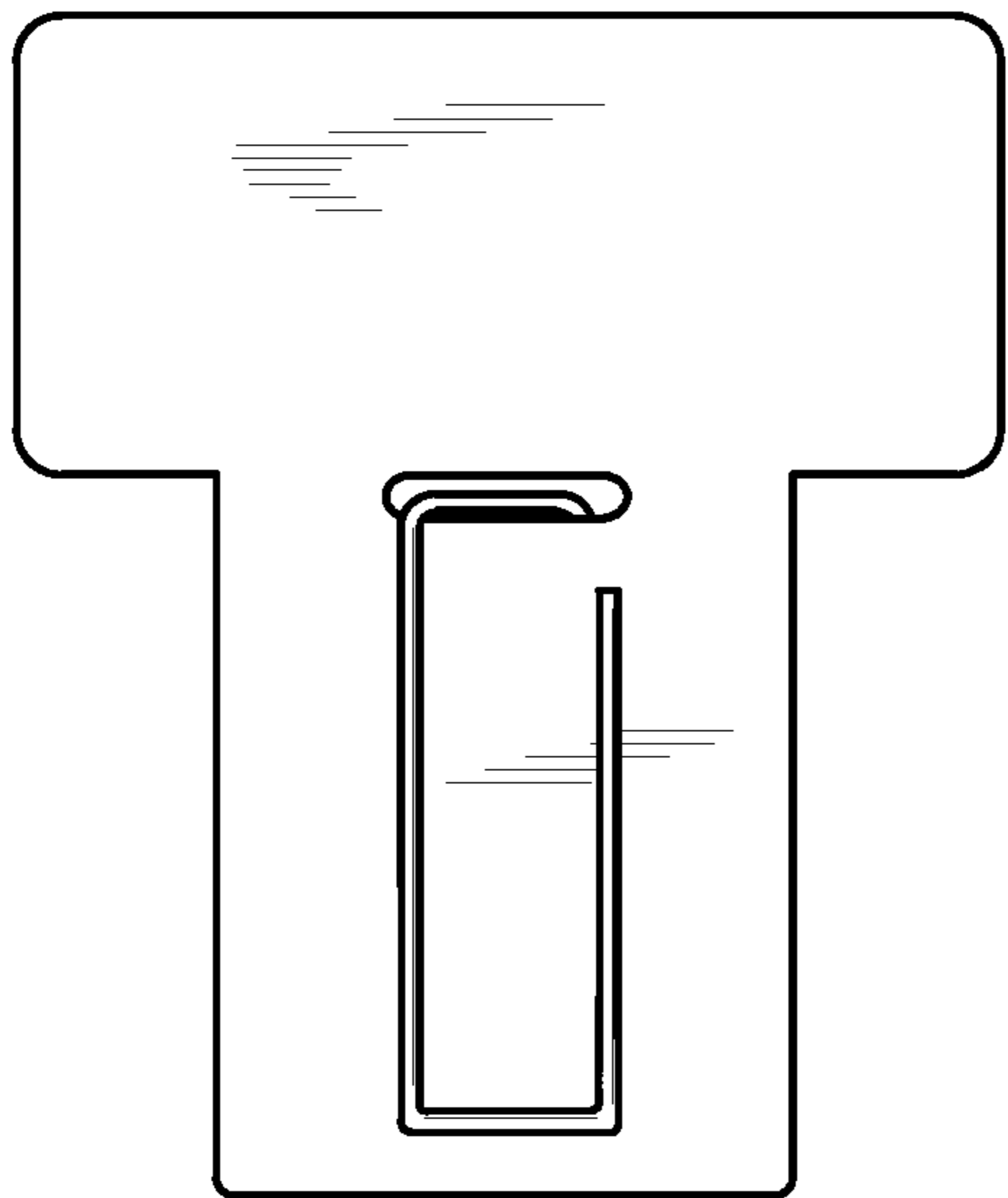
*FIG. 7*



*FIG. 11*



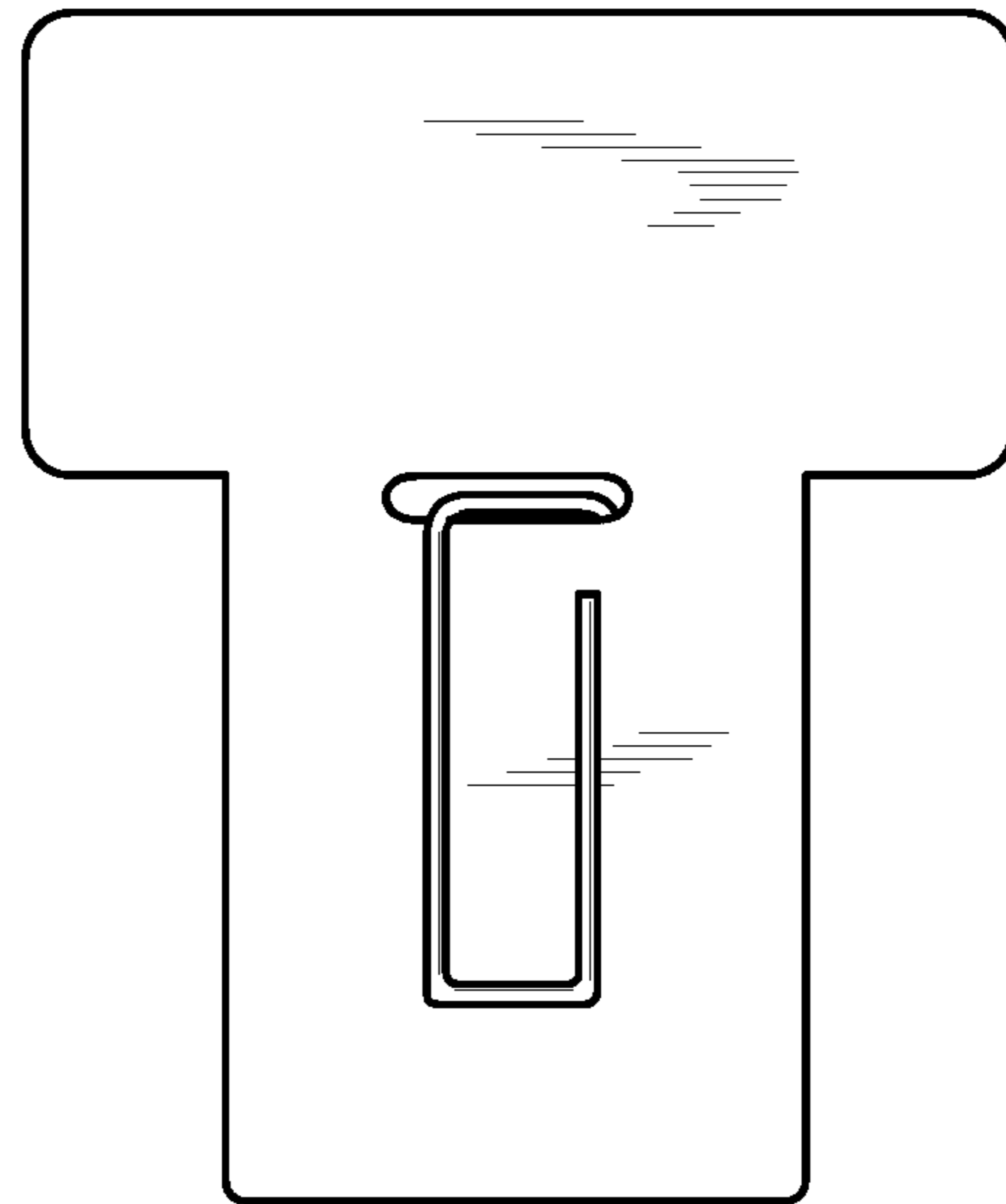
*FIG. 12*



*FIG. 8*



*FIG. 9*



*FIG. 10*

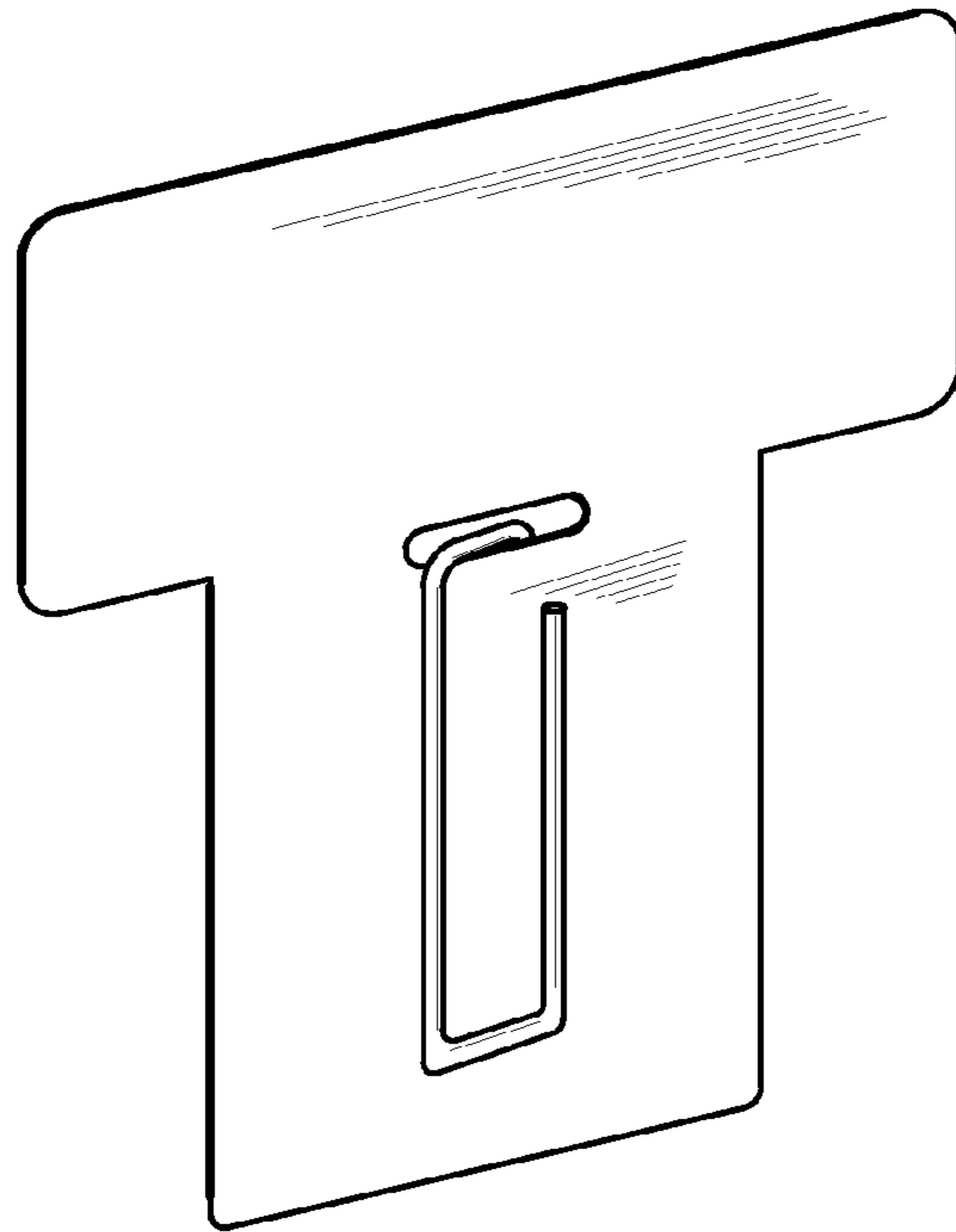


FIG. 13



FIG. 17



FIG. 18

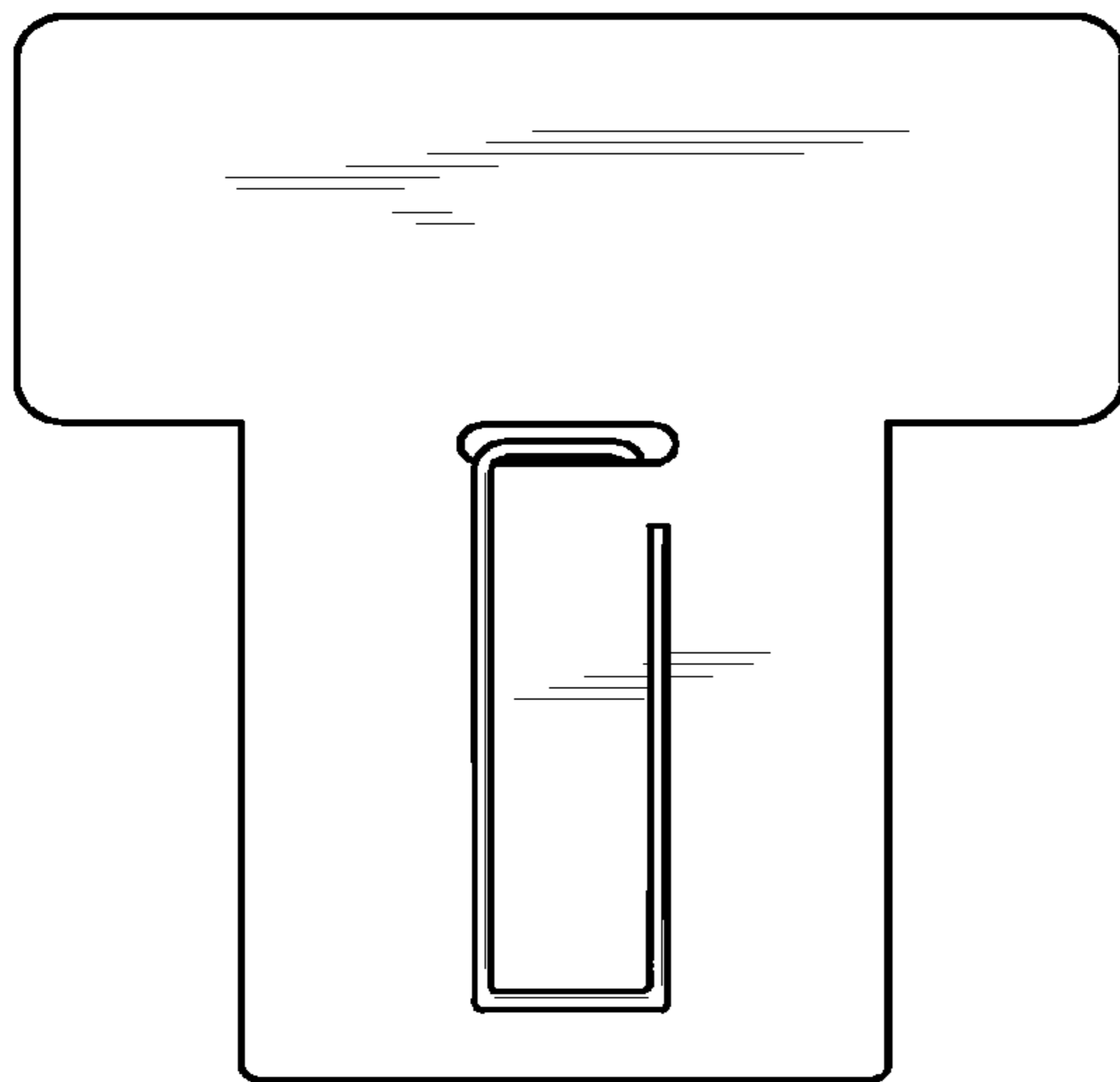


FIG. 14



FIG. 15

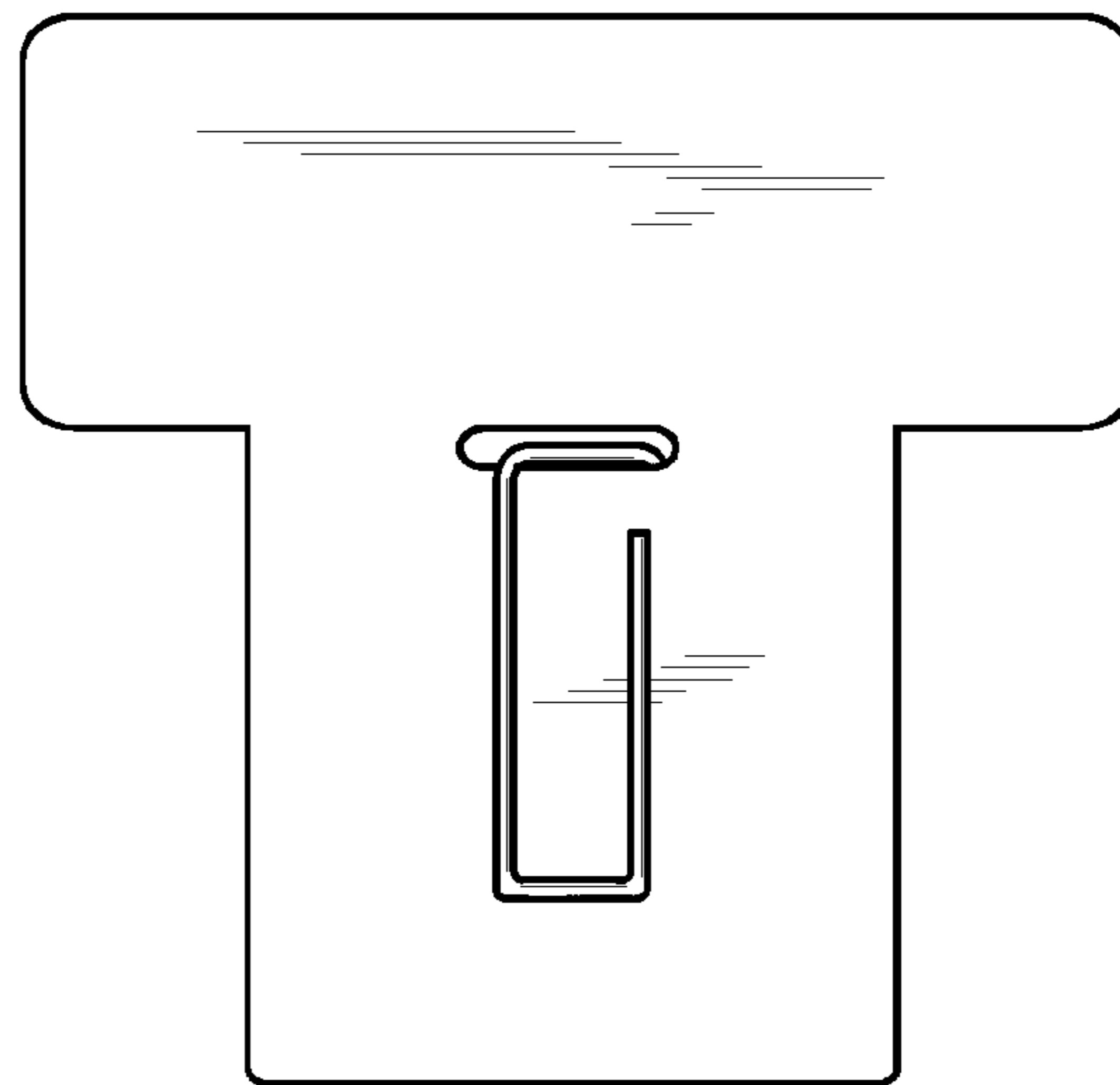
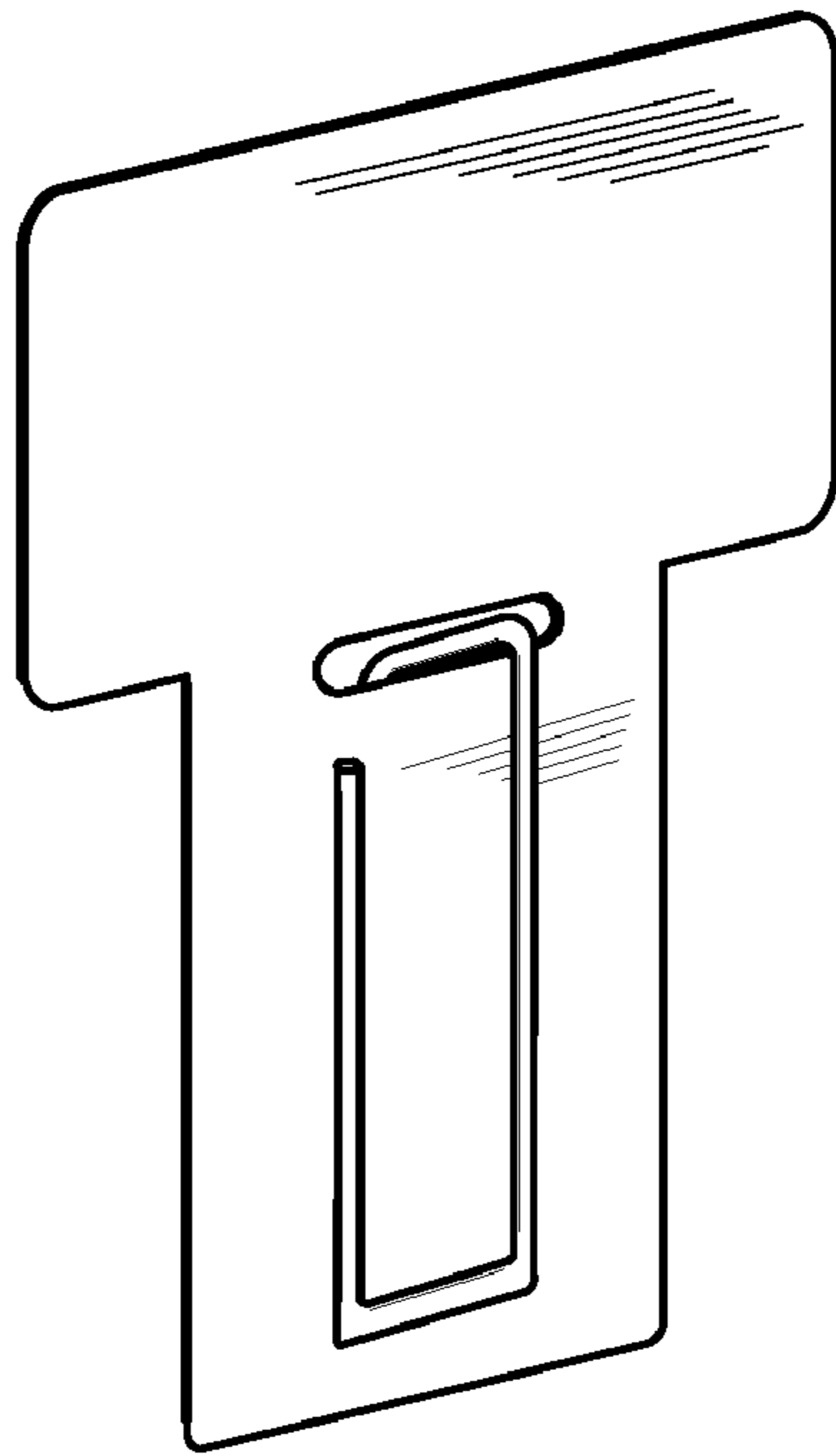


FIG. 16



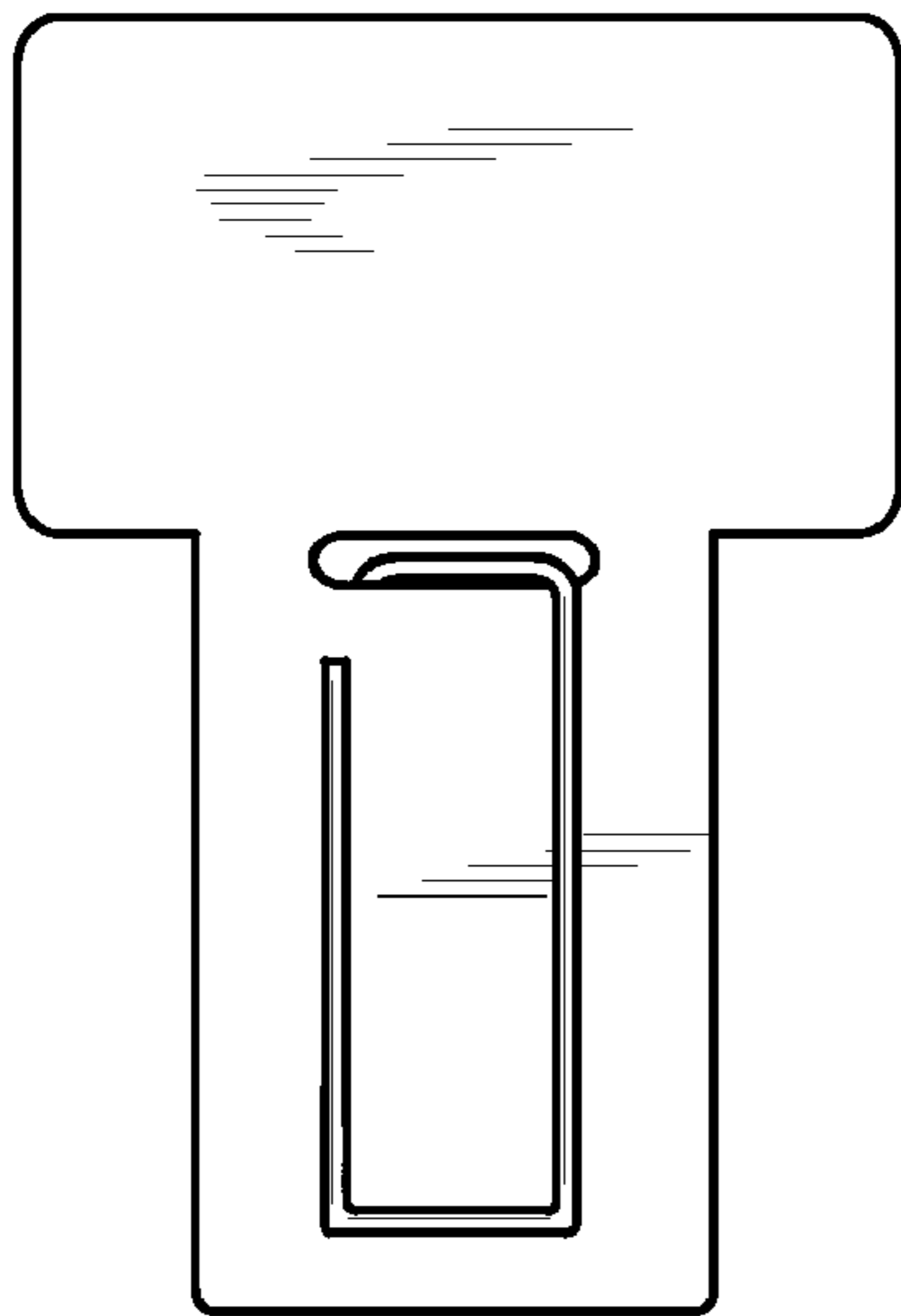
*FIG. 19*



*FIG. 23*



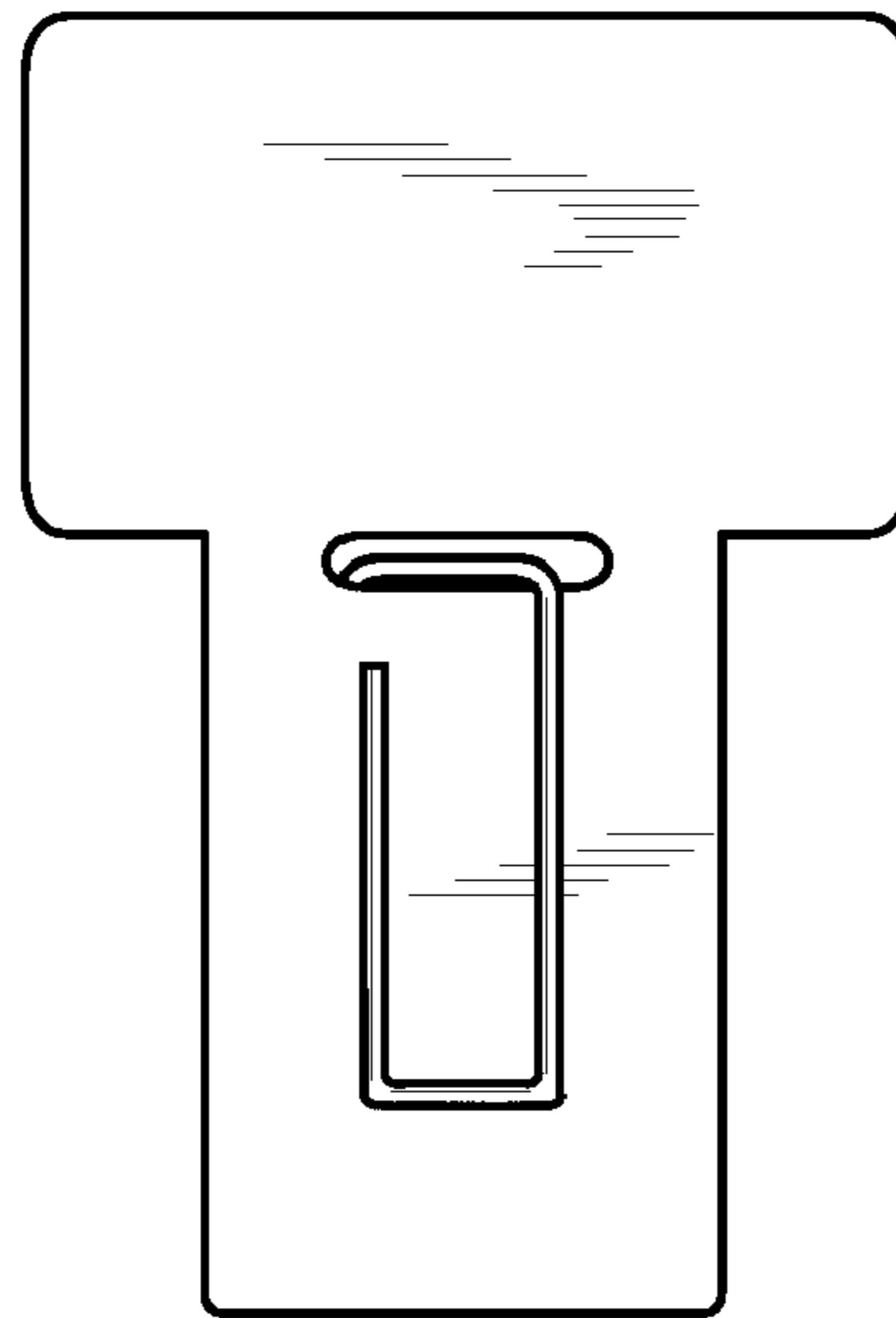
*FIG. 24*



*FIG. 20*

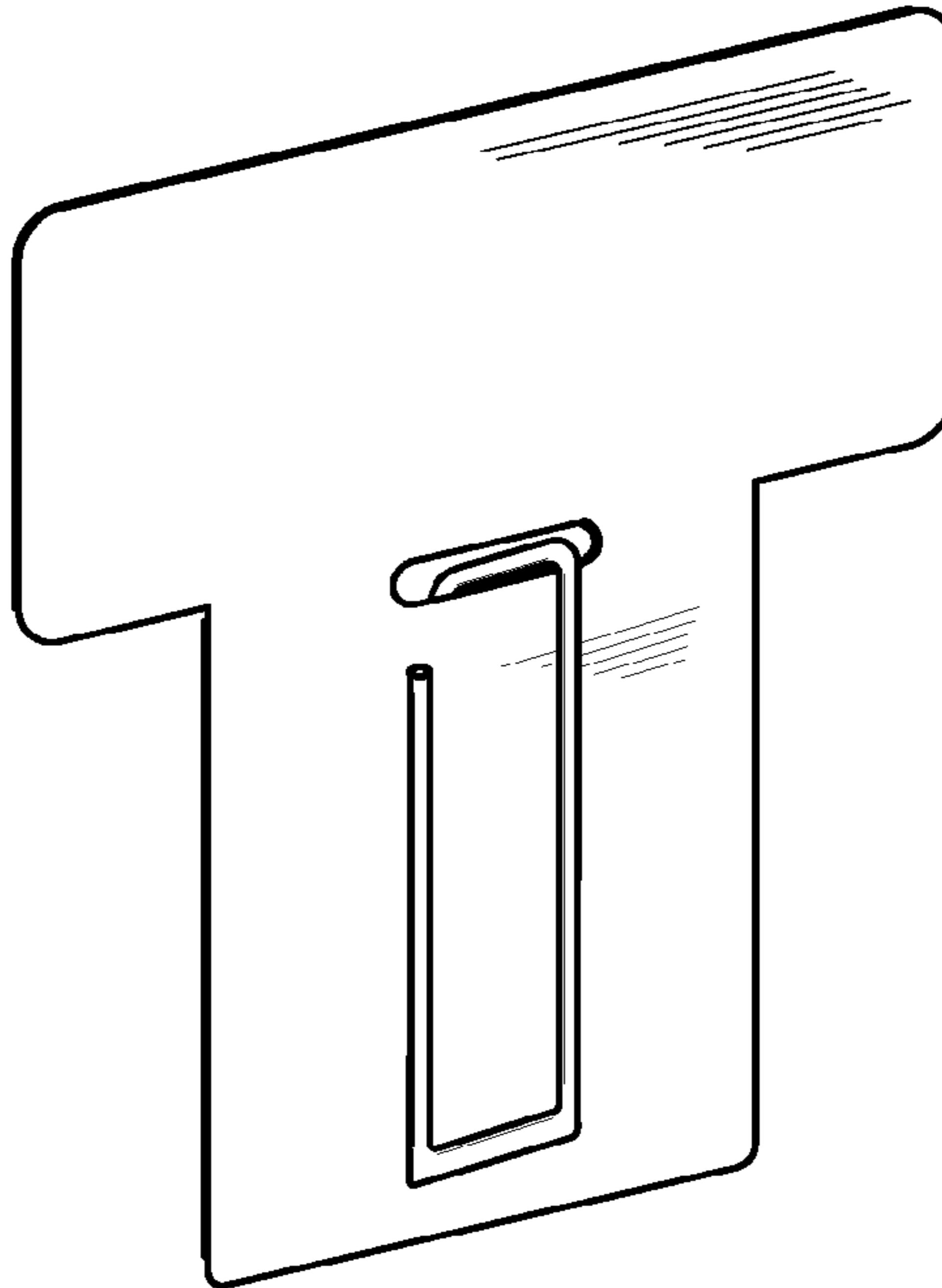


*FIG. 21*



*FIG. 22*

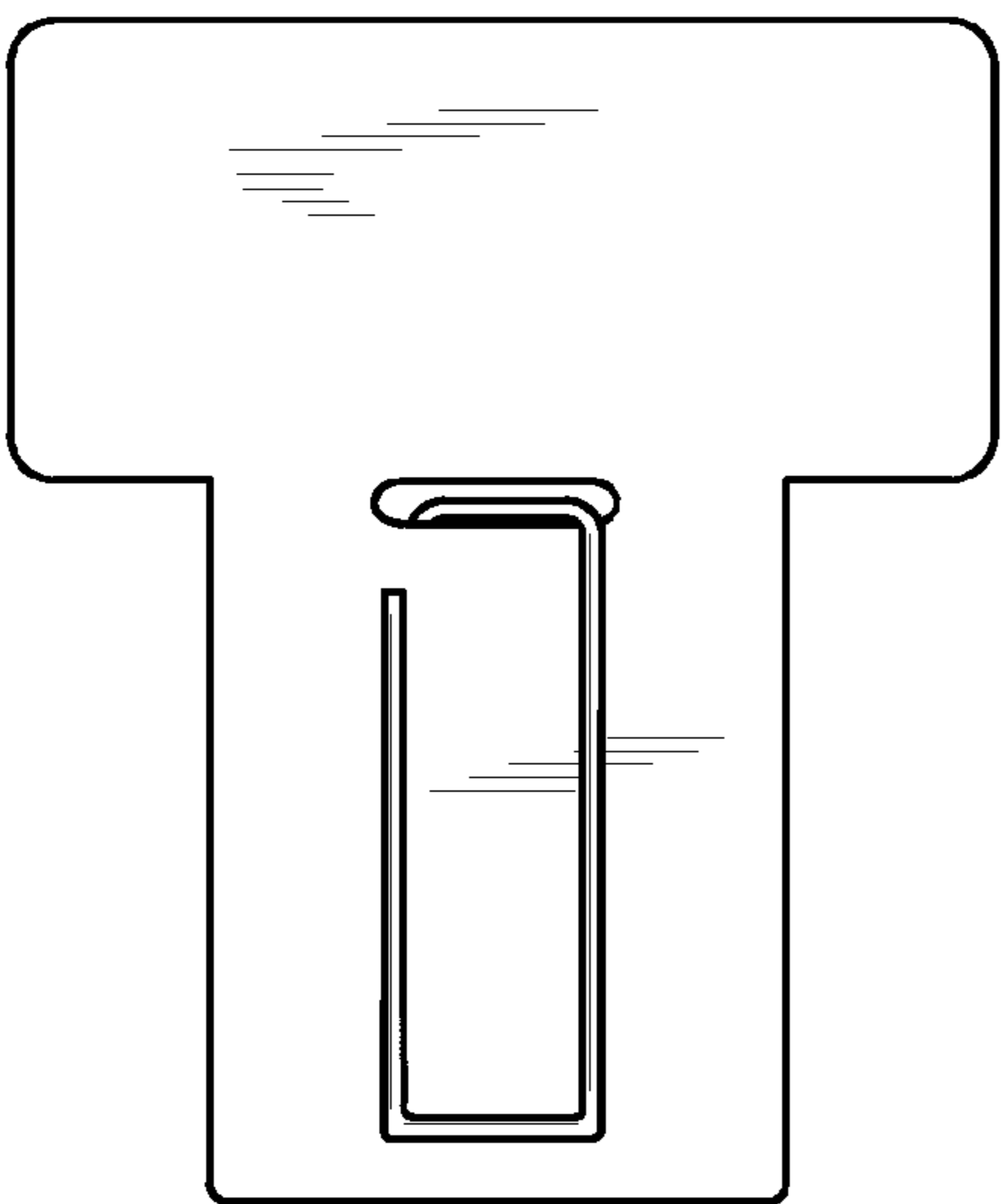
*FIG. 25*



*FIG. 29*



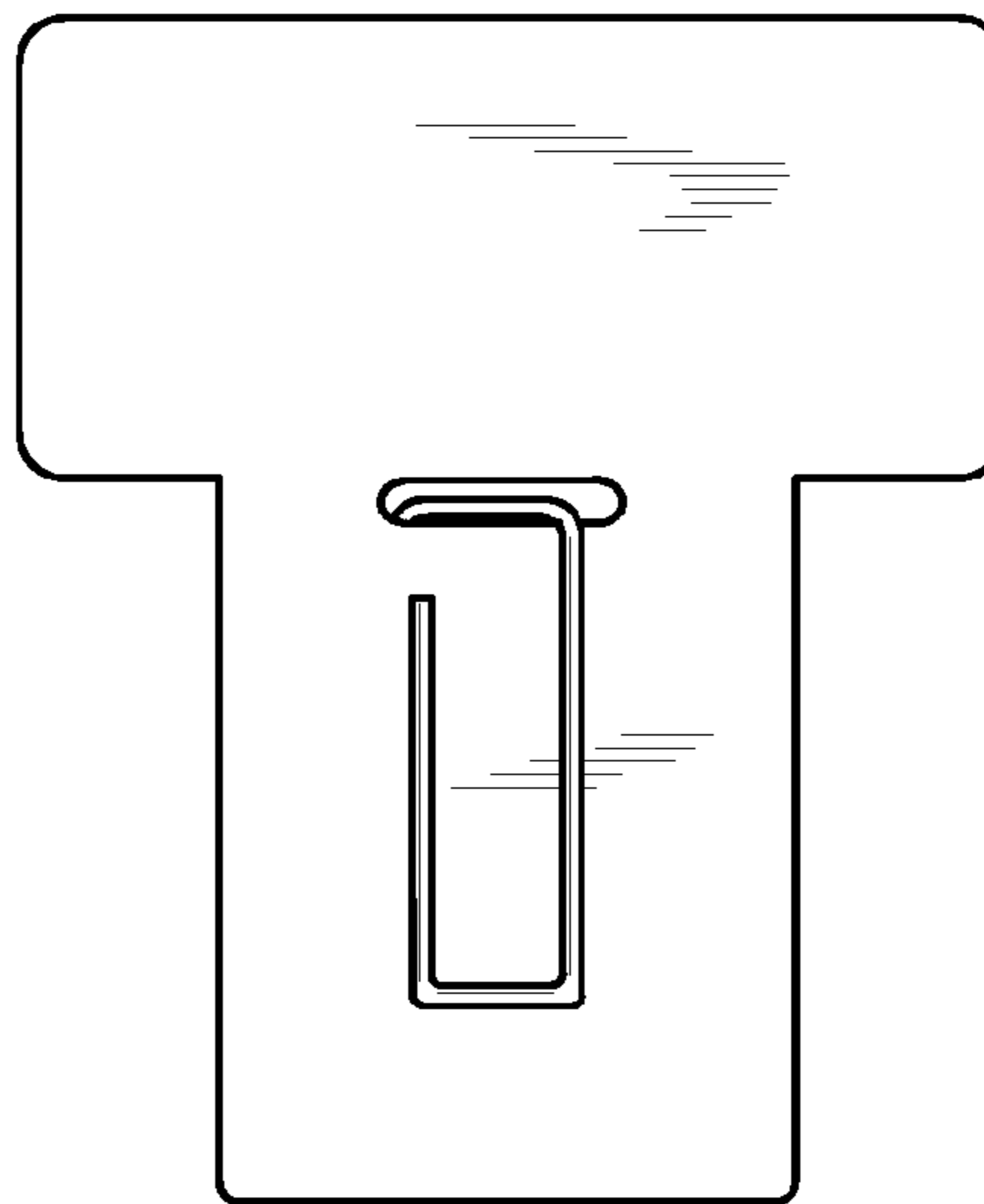
*FIG. 30*



*FIG. 26*



*FIG. 27*



*FIG. 28*

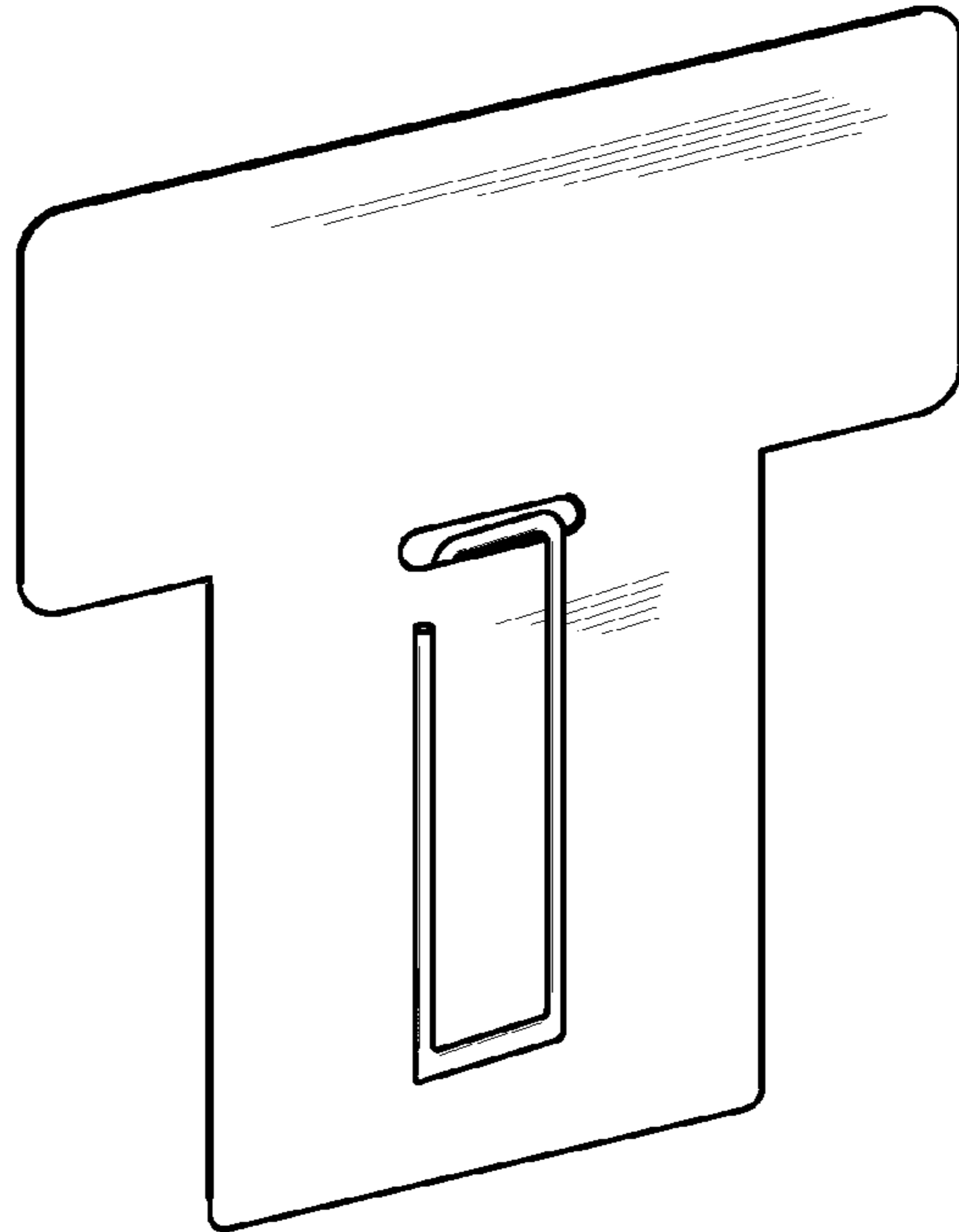


FIG. 31



FIG. 35



FIG. 36

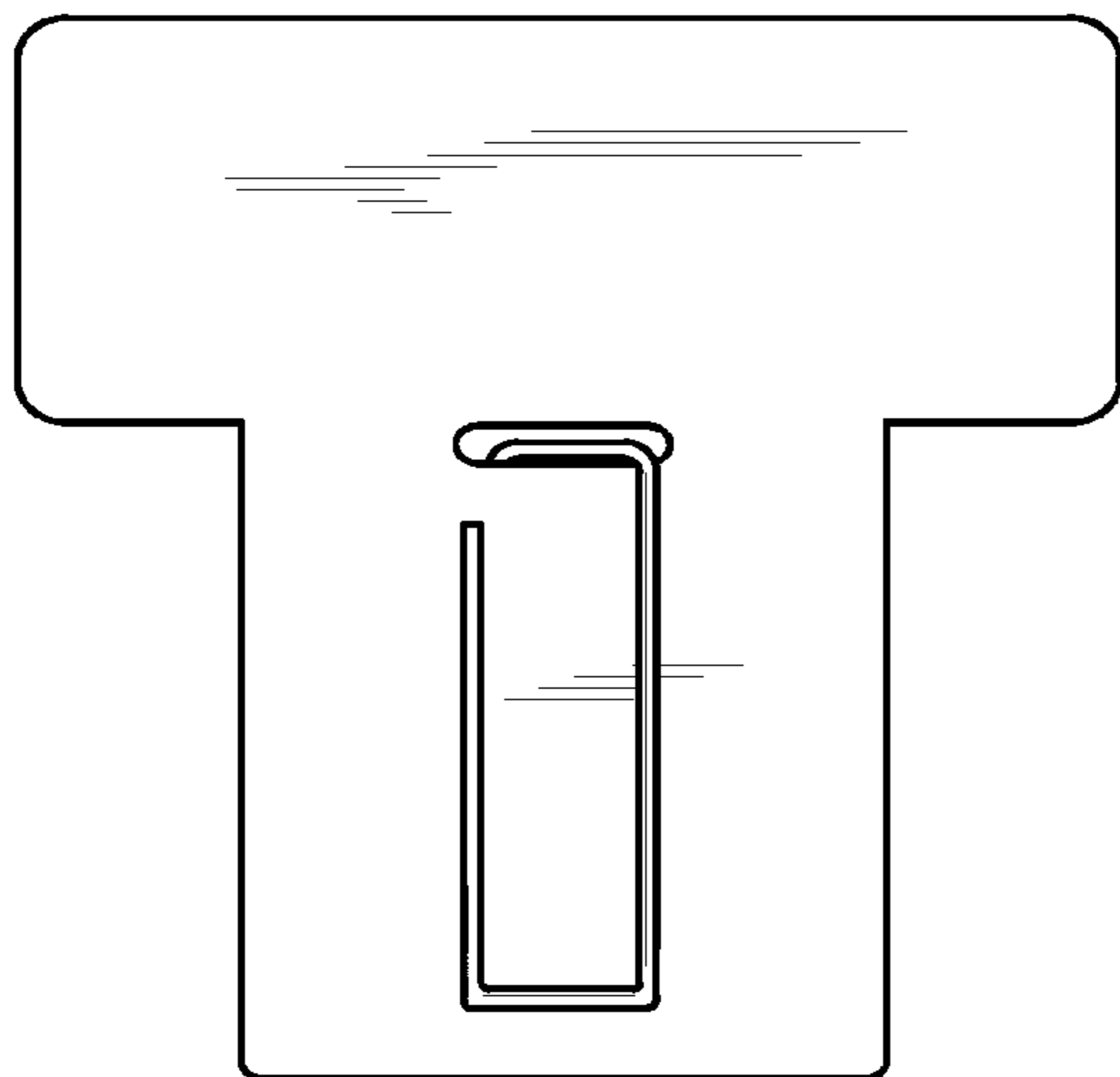


FIG. 32



FIG. 33

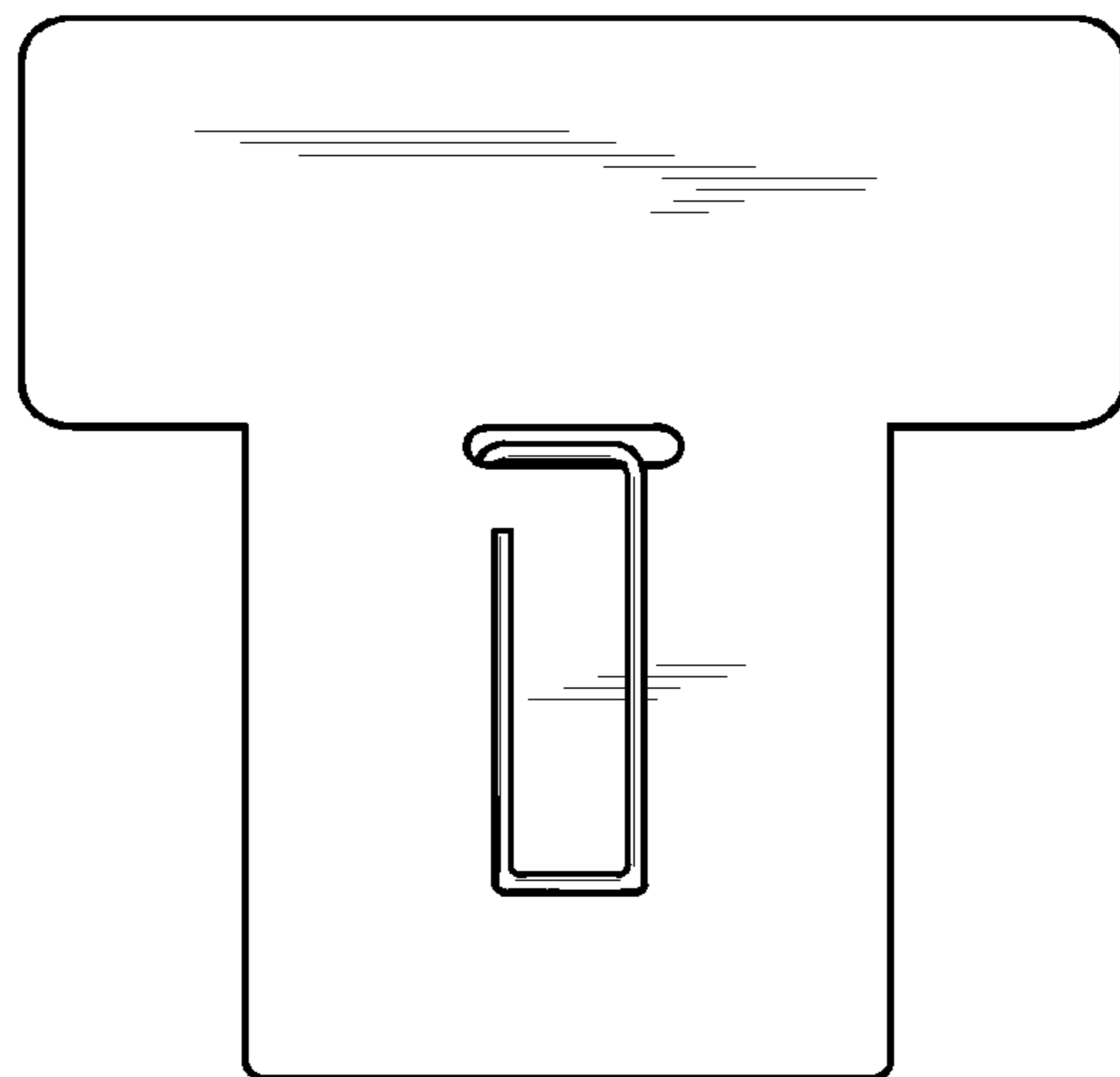


FIG. 34