



US00D565660S

(12) **United States Design Patent** (10) **Patent No.:** **US D565,660 S**  
**Lau** (45) **Date of Patent:** **\*\* Apr. 1, 2008**

(54) **INTEGRATED TABBED NOTE AND CLIP**

(76) Inventor: **Janet K. Lau**, 1937 Abreu Way, Union City, CA (US) 94587

(\*\*) Term: **14 Years**

(21) Appl. No.: **29/275,270**

(22) Filed: **Dec. 19, 2006**

(51) **LOC (8) Cl.** ..... **19-02**

(52) **U.S. Cl.** ..... **D19/65**

(58) **Field of Classification Search** ..... D6/515;  
D7/686; D8/16; D19/5, 6, 34, 65, 86, 90,  
D19/91, 99; D20/22, 40, 43; 24/67 R, 67.3,  
24/67.5, 67.7, 67.9, 67.11, 545, 546, 547,  
24/551, 552, 555; 40/300, 301, 302, 360,  
40/384, 641, 651, 653, 658, 659, 666; 116/236,  
116/237

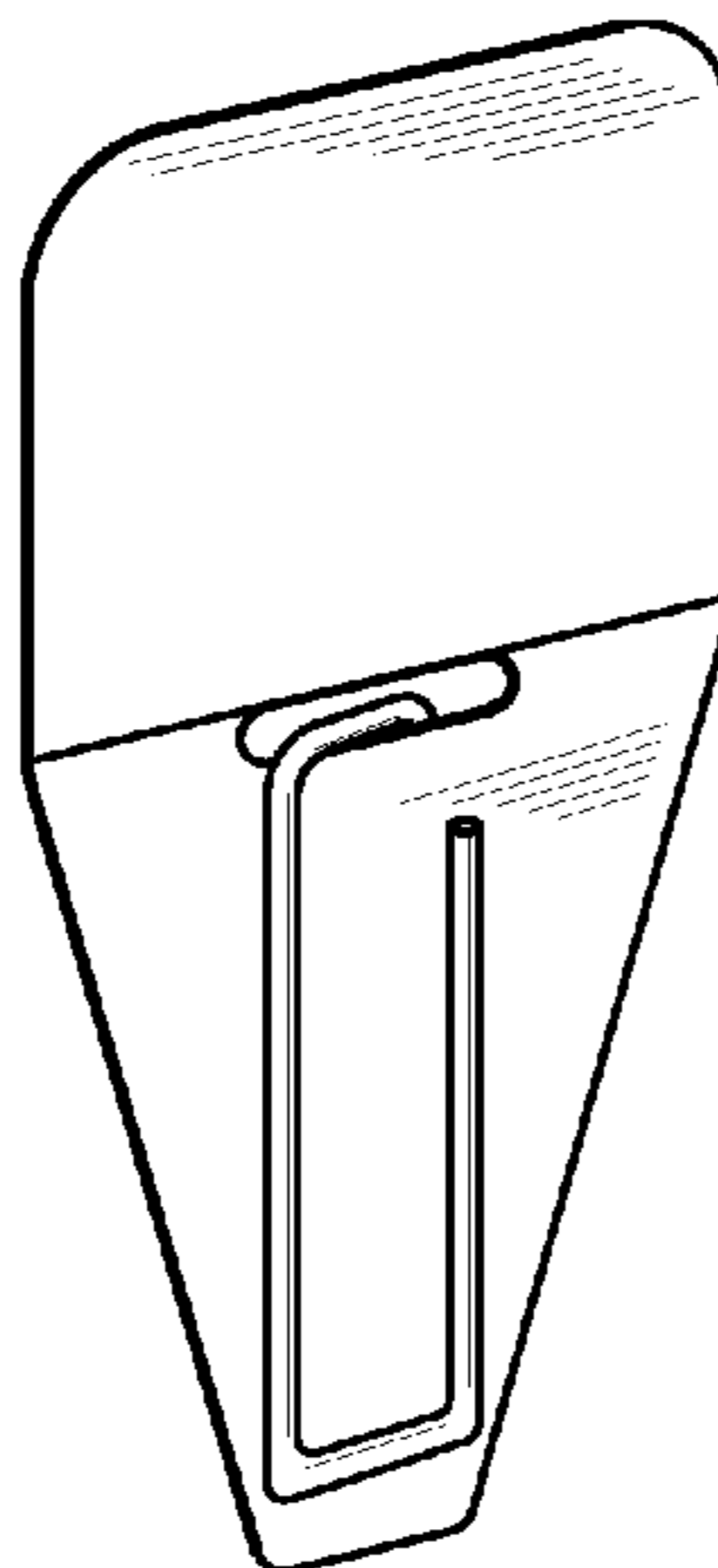
See application file for complete search history.

(56) **References Cited**

**U.S. PATENT DOCUMENTS**

332,327 A 12/1885 Clark  
863,265 A 8/1907 Crouse  
876,252 A 1/1908 Baker  
962,397 A 6/1910 Whitmore  
1,052,505 A 2/1913 Munger et al.  
1,123,008 A 12/1914 Rice  
1,158,940 A 11/1915 Litt et al.  
1,178,113 A 4/1916 Turton et al.  
D50,594 S 4/1917 Voges  
1,345,365 A 7/1920 Hutchison  
1,465,576 A 8/1923 Biggs  
1,501,067 A 7/1924 Schaffert  
1,524,478 A 1/1925 Hunter  
1,543,295 A 6/1925 Parker  
1,587,335 A 6/1926 Kline  
1,661,165 A 3/1928 Cameron  
1,778,031 A 10/1930 Kinch  
1,802,980 A 4/1931 Marsh  
1,826,580 A 10/1931 Spinney  
1,840,604 A 1/1932 Randall  
1,894,906 A 1/1933 Henry

1,914,671 A 6/1933 O'Neil  
1,976,465 A 10/1934 Thomson  
1,977,096 A 10/1934 Straubel  
1,985,866 A \* 12/1934 Lankenau ..... 24/546  
1,997,894 A 4/1935 Woodley  
2,008,019 A 7/1935 Horlick, Jr.  
D97,328 S 10/1935 Glasser  
2,118,043 A 5/1938 Goza  
2,156,743 A 5/1939 Skrebba  
2,323,552 A 7/1943 Marion  
D136,639 S 11/1943 Hoffman  
2,362,445 A 11/1944 Blodgett  
2,415,248 A 2/1947 Kenna et al.  
2,420,021 A 5/1947 Straubel  
2,623,311 A 12/1952 Condon  
2,642,638 A \* 6/1953 Larrabee ..... 24/67.9  
2,674,972 A 4/1954 Luther  
3,057,028 A \* 10/1962 Lorber ..... 24/67.9  
3,073,046 A 1/1963 Condon  
3,123,924 A 3/1964 Roberts  
3,225,469 A 12/1965 Chase  
3,290,810 A 12/1966 Morena  
3,360,877 A 1/1968 Estep  
D229,571 S 12/1973 Fearing  
3,840,943 A \* 10/1974 Langwell ..... 24/67.9  
3,934,368 A 1/1976 Fearing  
D241,342 S 9/1976 Carroll  
D263,243 S 3/1982 Creamer  
D268,848 S 5/1983 Lorber  
4,384,417 A 5/1983 Thompson  
4,425,724 A 1/1984 Scott  
4,646,455 A 3/1987 Gardner  
4,691,458 A 9/1987 Scott  
D305,036 S 12/1989 Voetsch  
4,951,408 A 8/1990 Banks  
D314,012 S 1/1991 Klodt  
5,199,203 A 4/1993 Jones  
5,319,835 A \* 6/1994 Chao ..... 24/67.9  
5,406,680 A \* 4/1995 Silverberg ..... 24/67.9  
5,481,784 A 1/1996 Sinaiko  
D368,487 S 4/1996 Lindberg  
5,507,459 A 4/1996 Kiera  
D383,789 S 9/1997 Shyu  
5,695,219 A 12/1997 Crawford  
D415,206 S \* 10/1999 Gaines ..... D20/27  
5,996,130 A 12/1999 Verhines  
D465,525 S 11/2002 Dilday  
D480,754 S 10/2003 Berger  
D520,065 S 5/2006 Doyle



D541,346 S *	4/2007	Lau .....	D19/65
2002/0104199 A1*	8/2002	Chen .....	24/67.9
2005/0217078 A1	10/2005	Groch et al.	
2006/0000133 A1	1/2006	Windorski	
2006/0107496 A1*	5/2006	Cheng .....	24/67.9

FOREIGN PATENT DOCUMENTS

JP	09-071065 A	3/1997
JP	2001-353992 A	12/2001

\* cited by examiner

*Primary Examiner*—Cathron C. Brooks  
*Assistant Examiner*—Austin Murphy  
 (74) *Attorney, Agent, or Firm*—Aka Chan LLP

(57) **CLAIM**

The ornamental design for an integrated tabbed note and clip, as shown and described.

**DESCRIPTION**

FIG. 1 shows a perspective view of a first embodiment of a design for an integrated tabbed note and clip.  
 FIG. 2 shows a front view of the first embodiment.  
 FIG. 3 shows a right-side view of the first embodiment. A left-side view of this embodiment is a mirror image of this figure.  
 FIG. 4 shows a back view of the first embodiment.  
 FIG. 5 shows a top view of the first embodiment.  
 FIG. 6 shows a bottom view of the first embodiment.  
 FIG. 7 shows a perspective view of a second embodiment.  
 FIG. 8 shows a front view of the second embodiment.  
 FIG. 9 shows a right-side view of the second embodiment. A left-side view of this embodiment is a mirror image of this figure.  
 FIG. 10 shows a back view of the second embodiment.  
 FIG. 11 shows a top view of the second embodiment.  
 FIG. 12 shows a bottom view of the second embodiment.  
 FIG. 13 shows a perspective view of a third embodiment.  
 FIG. 14 shows a front view of the third embodiment.  
 FIG. 15 shows a right-side view of the third embodiment. A left-side view of this embodiment is a mirror image of this figure.  
 FIG. 16 shows a back view of the third embodiment.  
 FIG. 17 shows a top view of the third embodiment.  
 FIG. 18 shows a bottom view of the third embodiment.  
 FIG. 19 shows a perspective view of a fourth embodiment.  
 FIG. 20 shows a front view of the fourth embodiment.  
 FIG. 21 shows a right-side view of the fourth embodiment. A left-side view of this embodiment is a mirror image of this figure.  
 FIG. 22 shows a back view of the fourth embodiment.  
 FIG. 23 shows a top view of the fourth embodiment.  
 FIG. 24 shows a bottom view of the fourth embodiment.  
 FIG. 25 shows a perspective view of a fifth embodiment.  
 FIG. 26 shows a front view of the fifth embodiment.

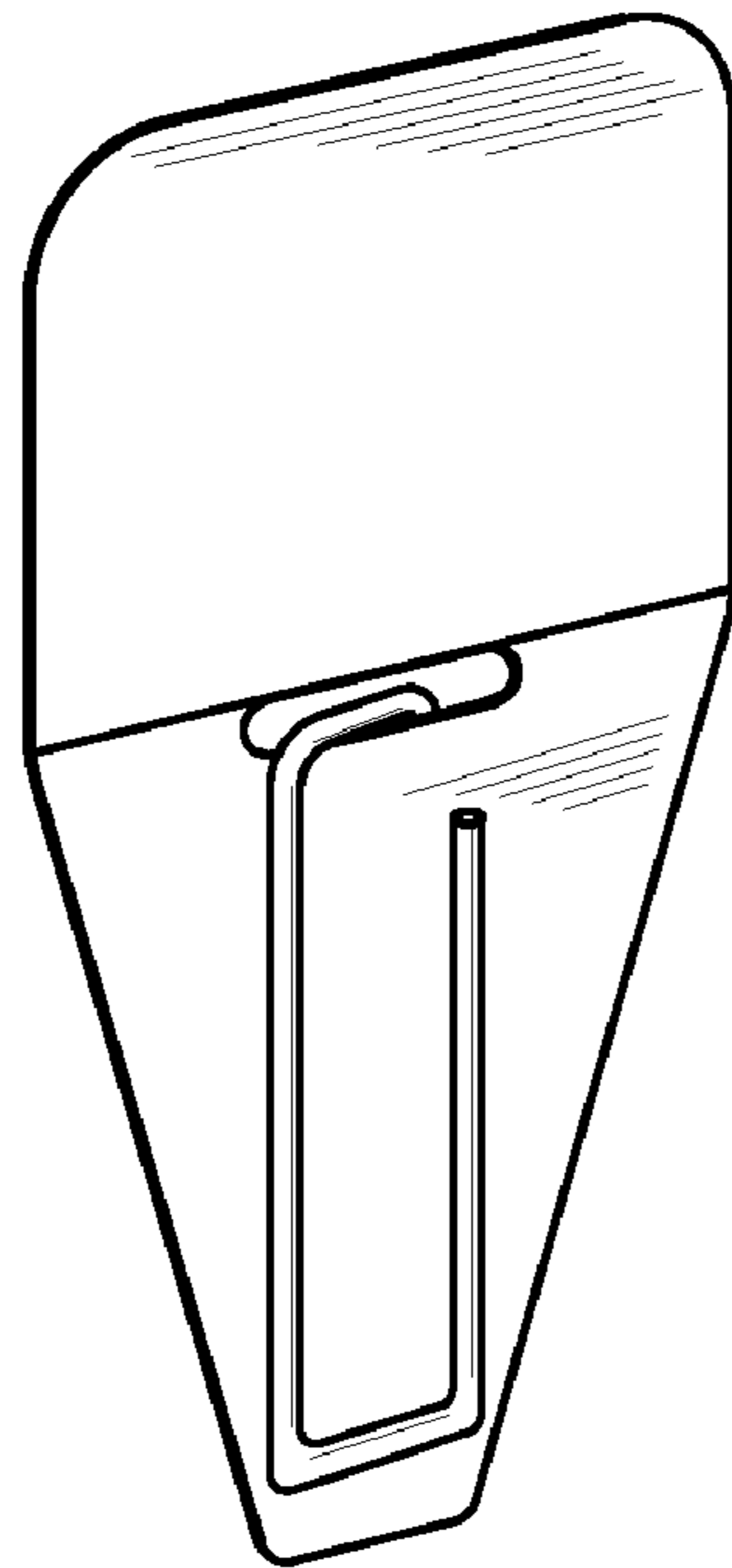
FIG. 27 shows a right-side view of the fifth embodiment. A left-side view of this embodiment is a mirror image of this figure.  
 FIG. 28 shows a back view of the fifth embodiment.  
 FIG. 29 shows a top view of the fifth embodiment.  
 FIG. 30 shows a bottom view of the fifth embodiment.  
 FIG. 31 shows a perspective view of a sixth embodiment.  
 FIG. 32 shows a front view of the sixth embodiment.  
 FIG. 33 shows a right-side view of the sixth embodiment. A left-side view of this embodiment is a mirror image of this figure.  
 FIG. 34 shows a back view of the sixth embodiment.  
 FIG. 35 shows a top view of the sixth embodiment.  
 FIG. 36 shows a bottom view of the sixth embodiment.  
 FIG. 37 shows a perspective view of a seventh embodiment of a design for an integrated tabbed note and clip.  
 FIG. 38 shows a front view of the seventh embodiment.  
 FIG. 39 shows a right-side view of the seventh embodiment. A left-side view of this embodiment is a mirror image of this figure.  
 FIG. 40 shows a back view of the seventh embodiment.  
 FIG. 41 shows a top view of the seventh embodiment.  
 FIG. 42 shows a bottom view of the seventh embodiment.  
 FIG. 43 shows a perspective view of an eighth embodiment.  
 FIG. 44 shows a front view of the eighth embodiment.  
 FIG. 45 shows a right-side view of the eighth embodiment. A left-side view of this embodiment is a mirror image of this figure.  
 FIG. 46 shows a back view of the eighth embodiment.  
 FIG. 47 shows a top view of the eighth embodiment.  
 FIG. 48 shows a bottom view of the eighth embodiment.  
 FIG. 49 shows a perspective view of a ninth embodiment.  
 FIG. 50 shows a front view of the ninth embodiment.  
 FIG. 51 shows a right-side view of the ninth embodiment. A left-side view of this embodiment is a mirror image of this figure.  
 FIG. 52 shows a back view of the ninth embodiment.  
 FIG. 53 shows a top view of the ninth embodiment.  
 FIG. 54 shows a bottom view of the ninth embodiment.  
 FIG. 55 shows a perspective view of a tenth embodiment.  
 FIG. 56 shows a front view of the tenth embodiment.  
 FIG. 57 shows a right-side view of the tenth embodiment. A left-side view of this embodiment is a mirror image of this figure.  
 FIG. 58 shows a back view of the tenth embodiment.  
 FIG. 59 shows a top view of the tenth embodiment.  
 FIG. 60 shows a bottom view of the tenth embodiment.  
 FIG. 61 shows a perspective view of an eleventh embodiment.  
 FIG. 62 shows a front view of the eleventh embodiment.  
 FIG. 63 shows a right-side view of the eleventh embodiment. A left-side view of this embodiment is a mirror image of this figure.



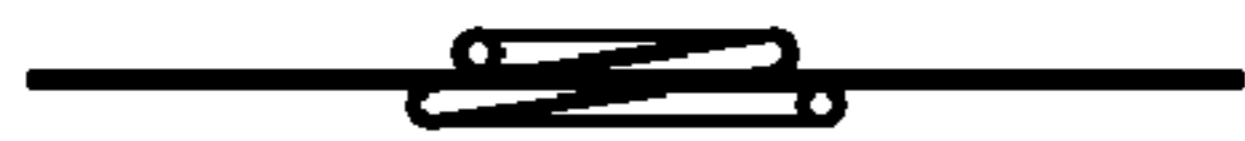
FIG. **64** shows a back view of the eleventh embodiment.  
FIG. **65** shows a top view of the eleventh embodiment.  
FIG. **66** shows a bottom view of the eleventh embodiment.  
FIG. **67** shows a perspective view of a twelfth embodiment.  
FIG. **68** shows a front view of the twelfth embodiment.  
FIG. **69** shows a right-side view of the twelfth embodiment.  
A left-side view of this embodiment is a mirror image of this figure.

FIG. **70** shows a back view of the twelfth embodiment.  
FIG. **71** shows a top view of the twelfth embodiment; and,  
FIG. **72** shows a bottom view of the twelfth embodiment.

**1 Claim, 12 Drawing Sheets**



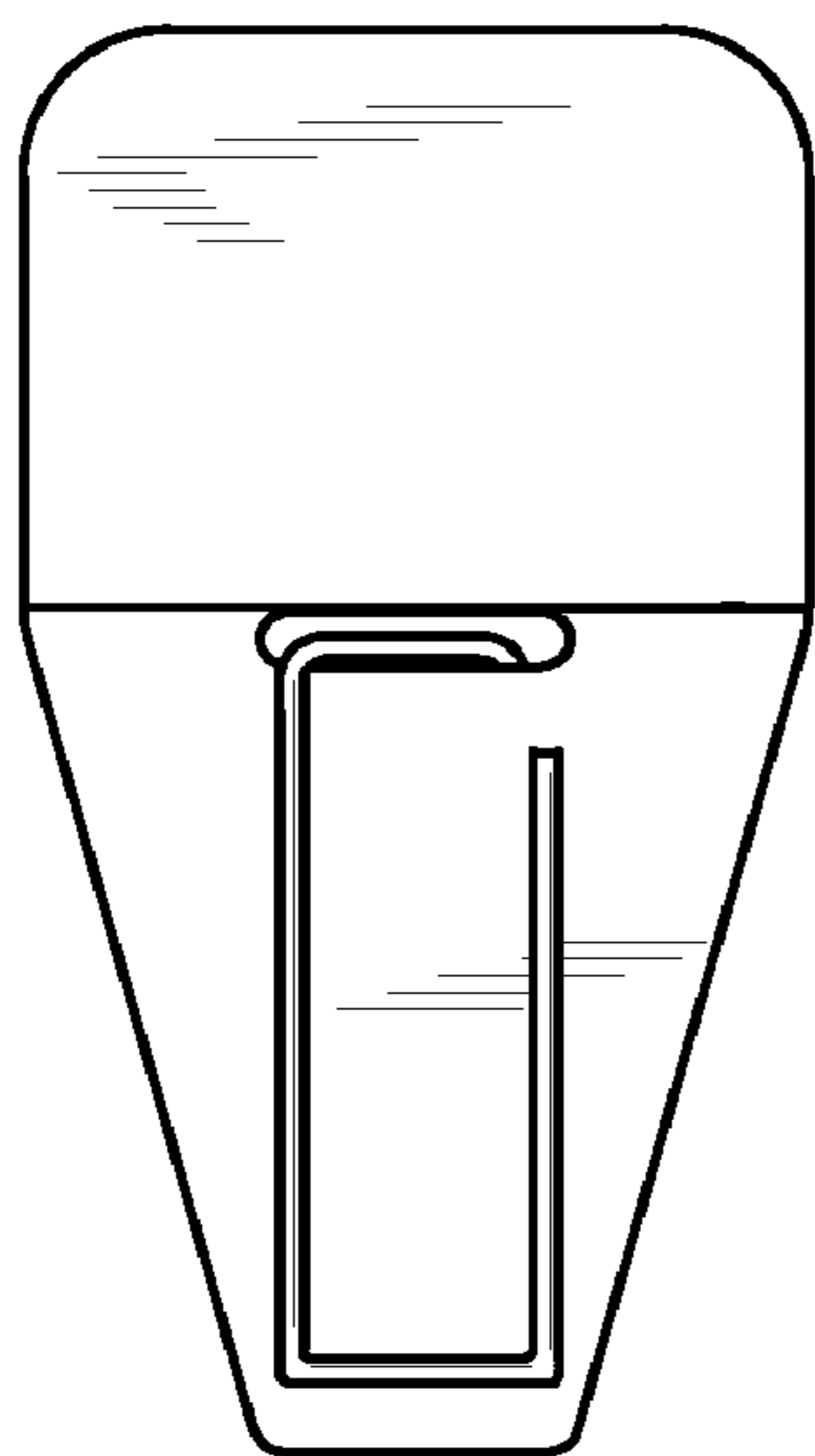
*FIG. 1*



*FIG. 5*



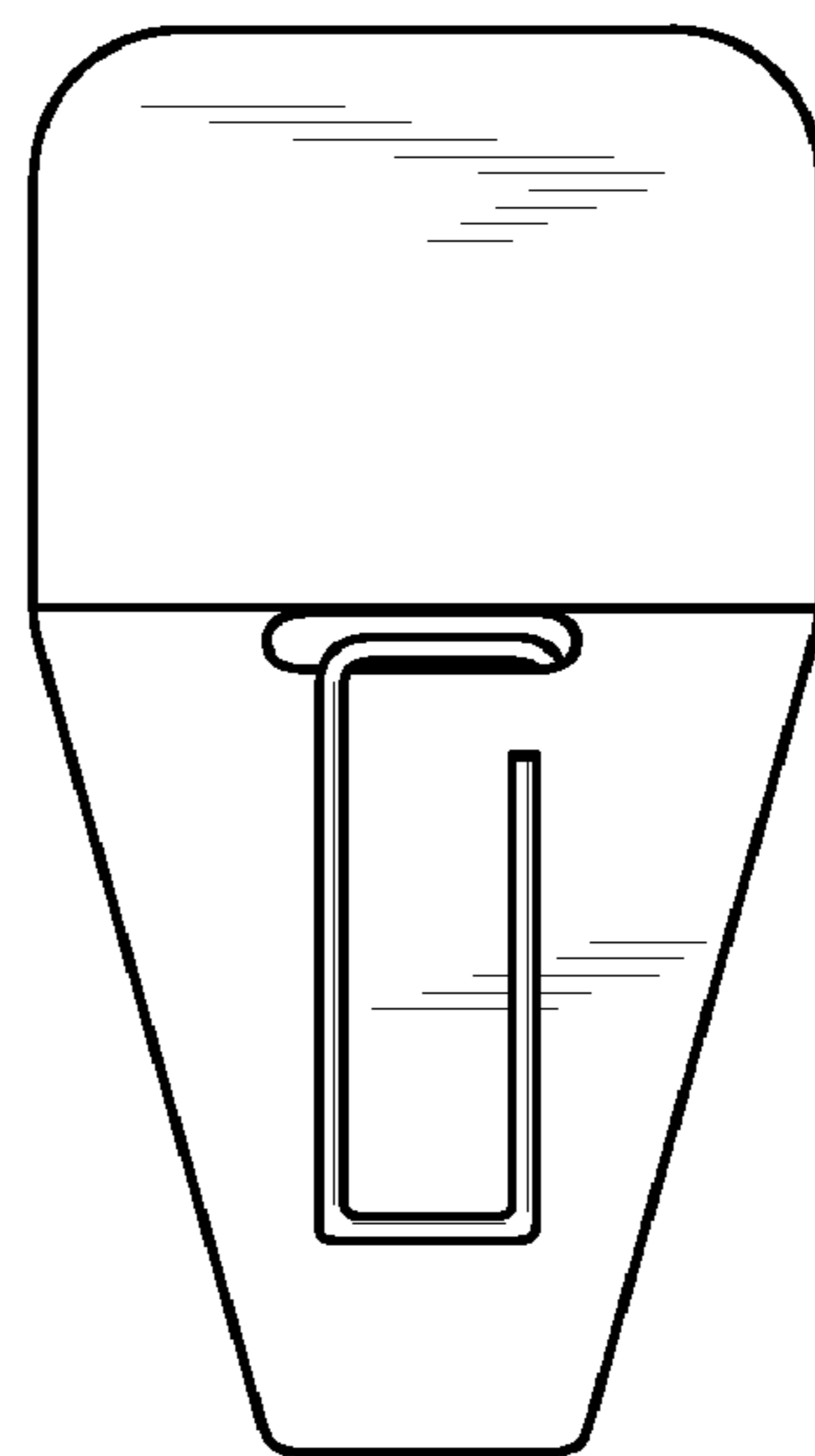
*FIG. 6*



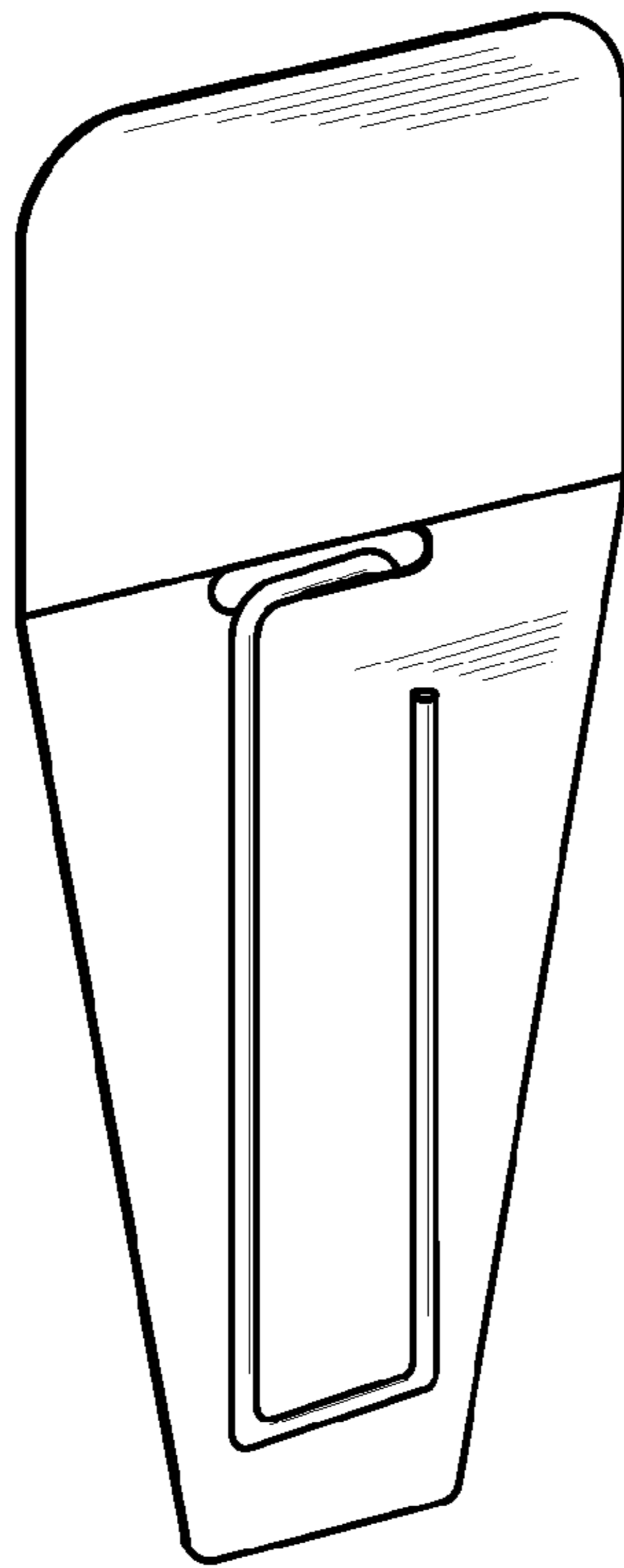
*FIG. 2*



*FIG. 3*



*FIG. 4*



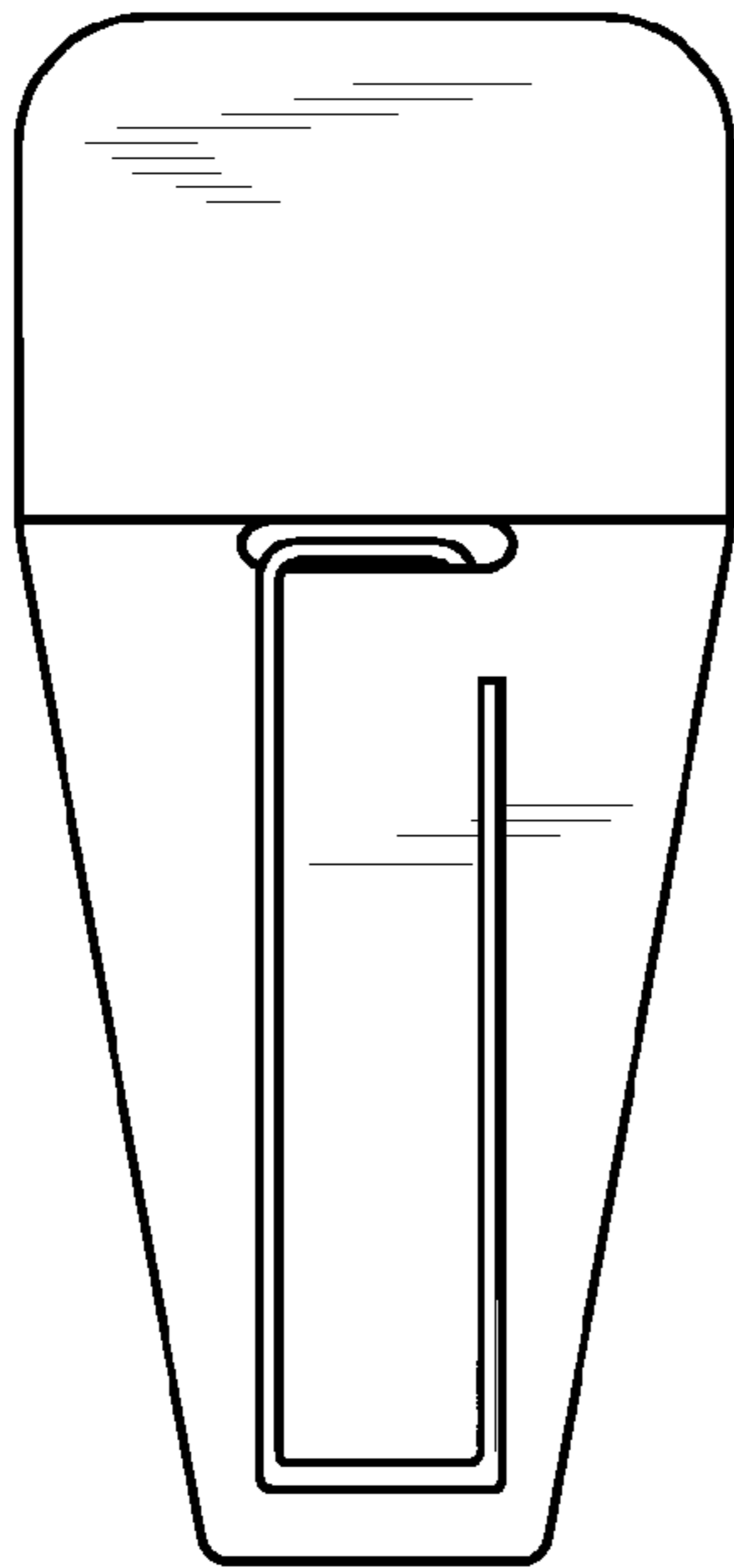
*FIG. 7*



*FIG. 11*



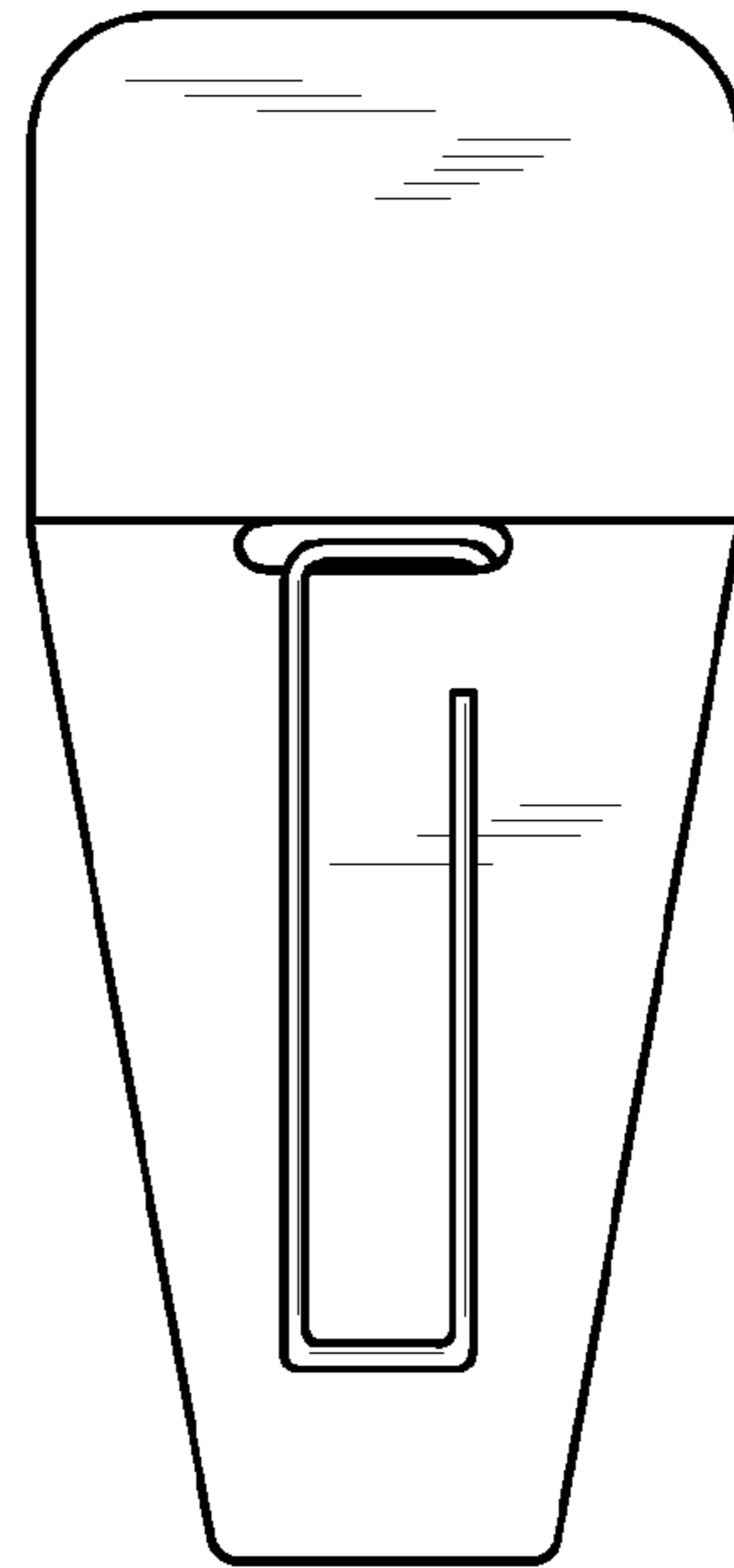
*FIG. 12*



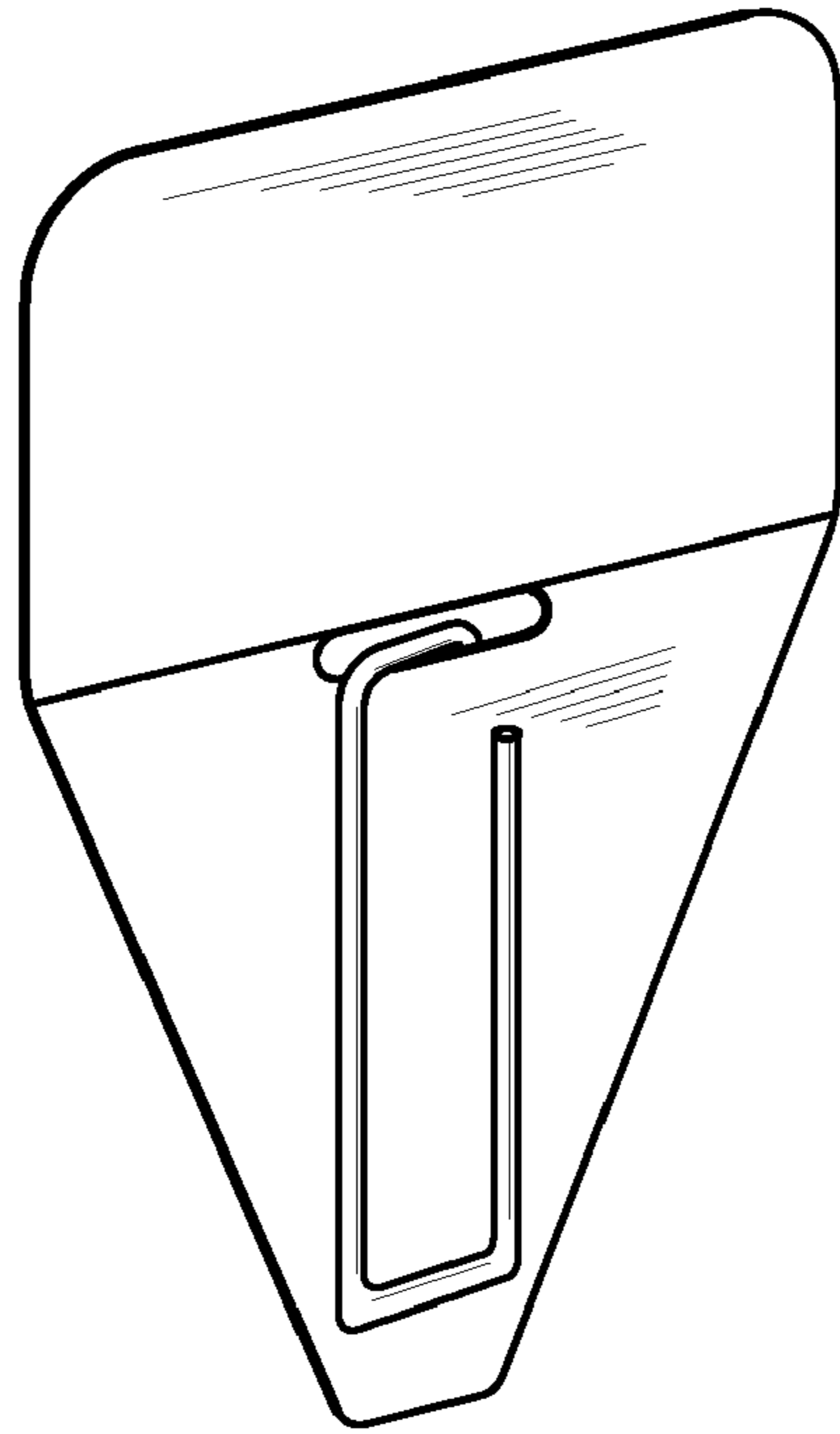
*FIG. 8*



*FIG. 9*



*FIG. 10*



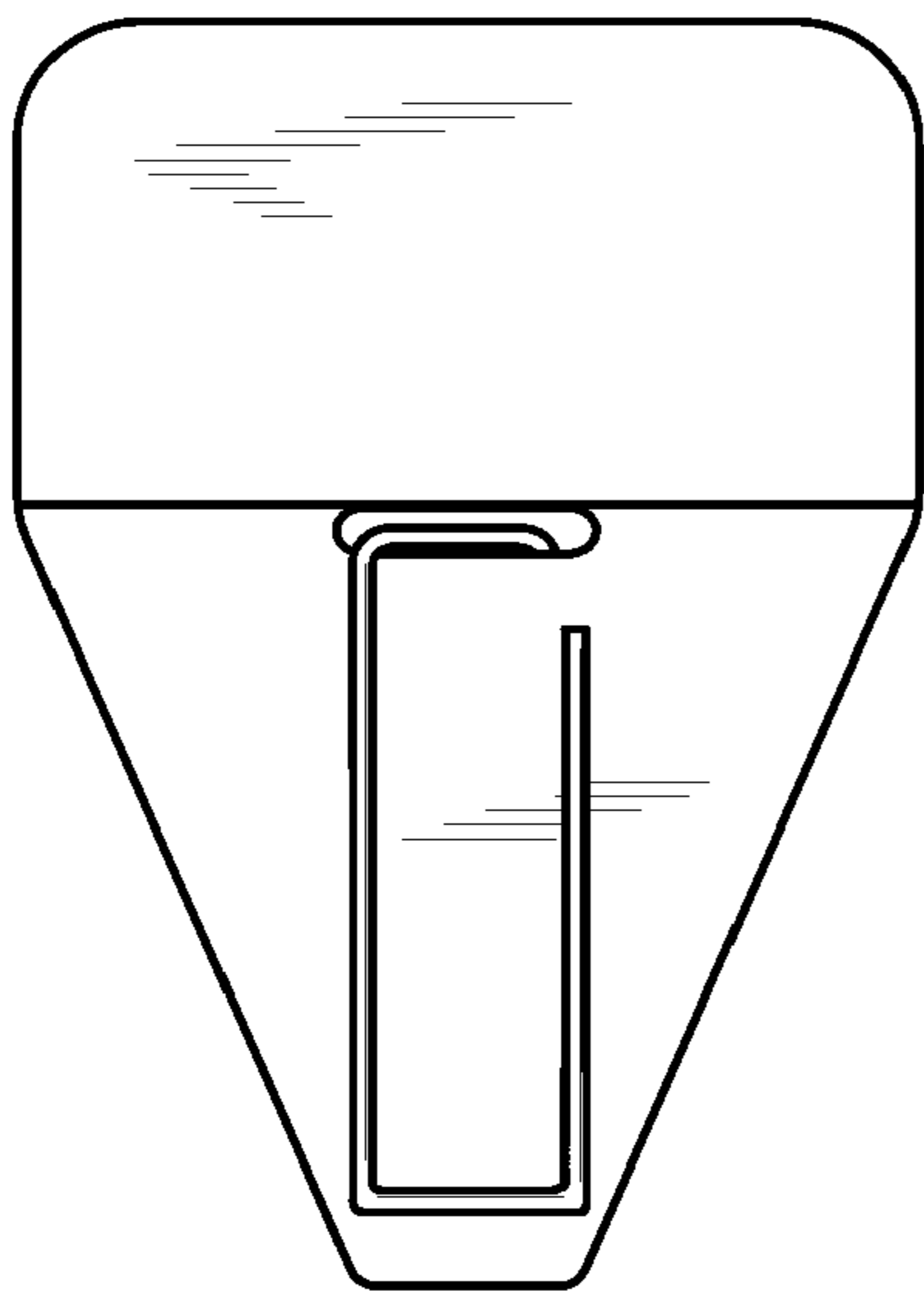
*FIG. 13*



*FIG. 17*



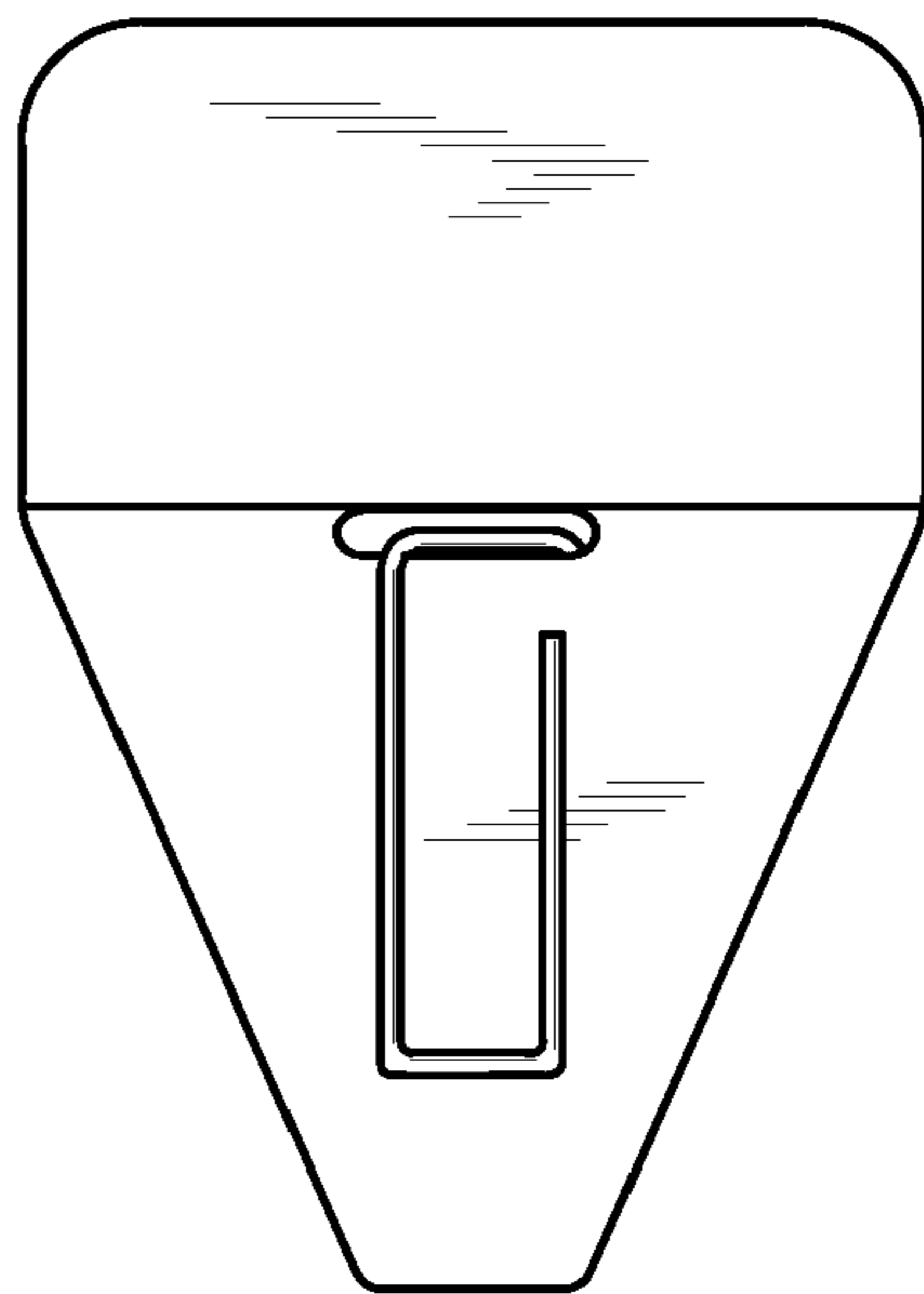
*FIG. 18*



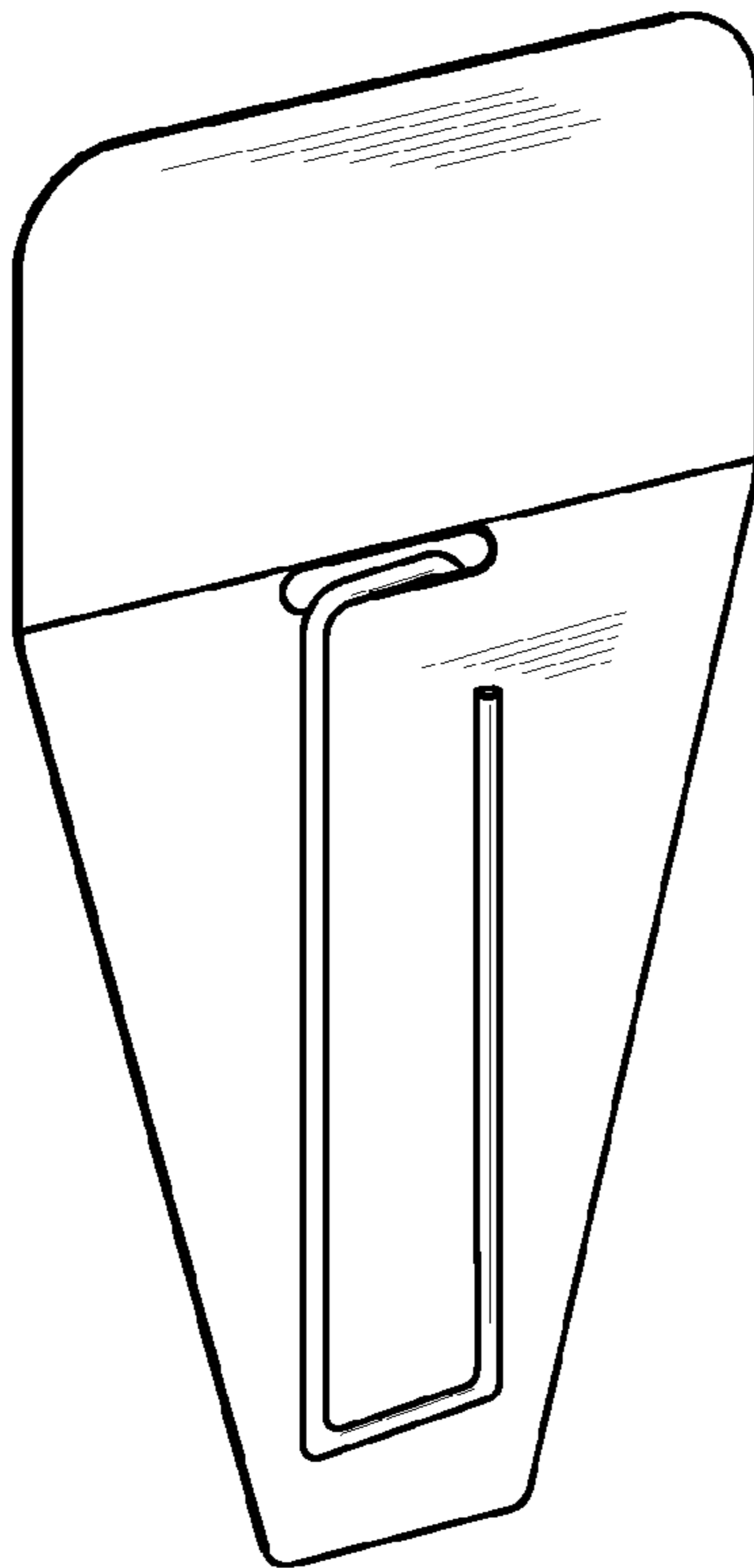
*FIG. 14*



*FIG. 15*



*FIG. 16*



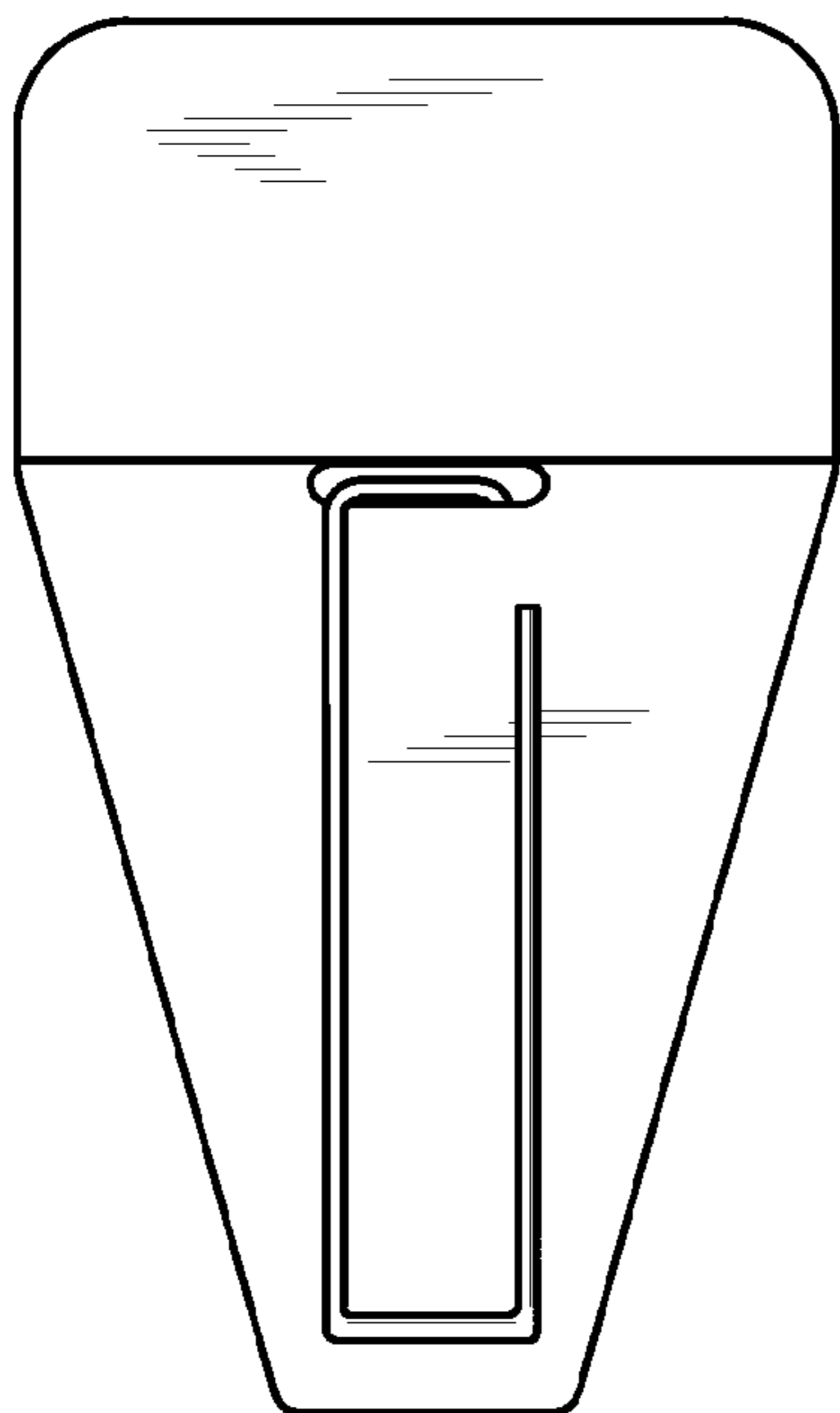
*FIG. 19*



*FIG. 23*



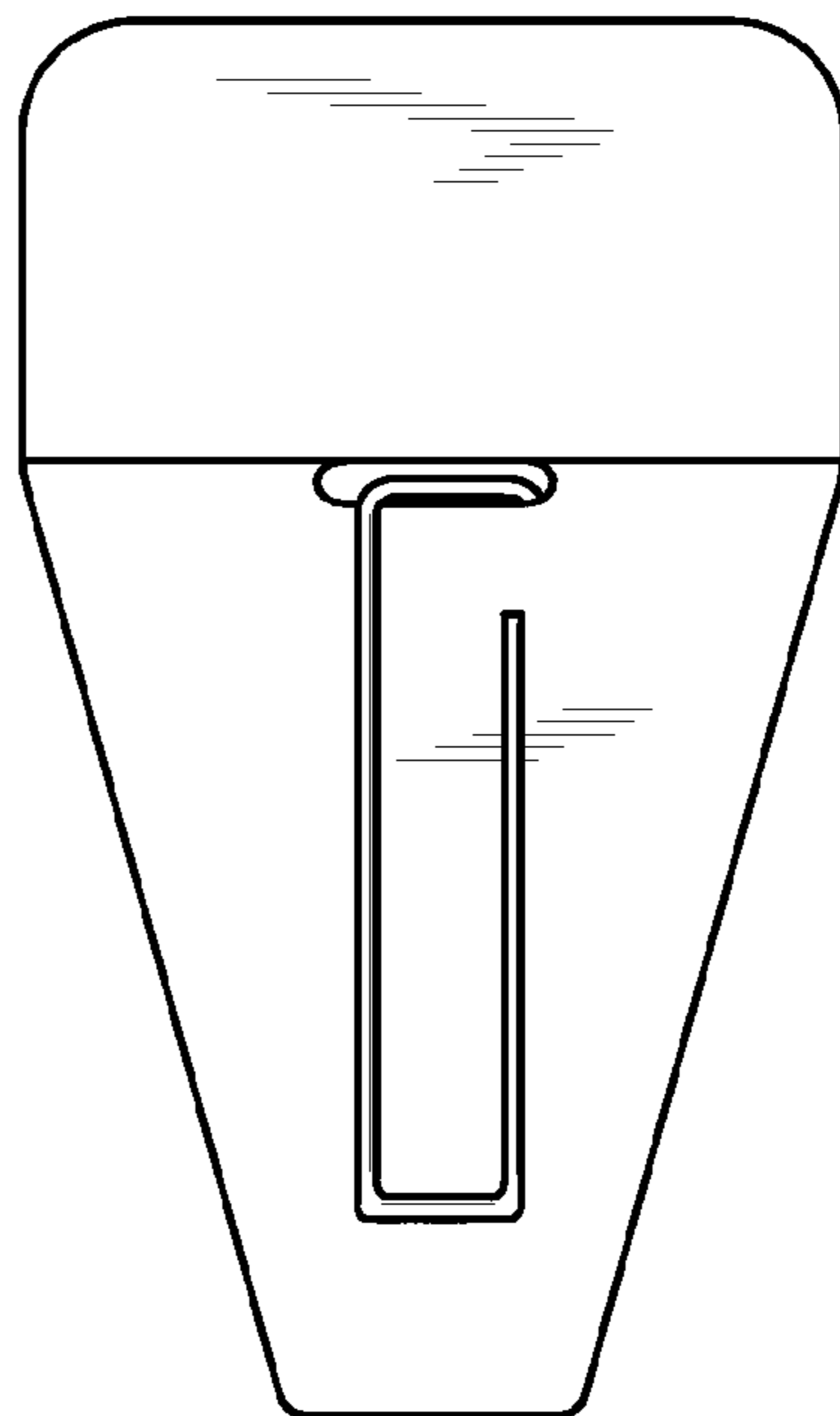
*FIG. 24*



*FIG. 20*



*FIG. 21*



*FIG. 22*

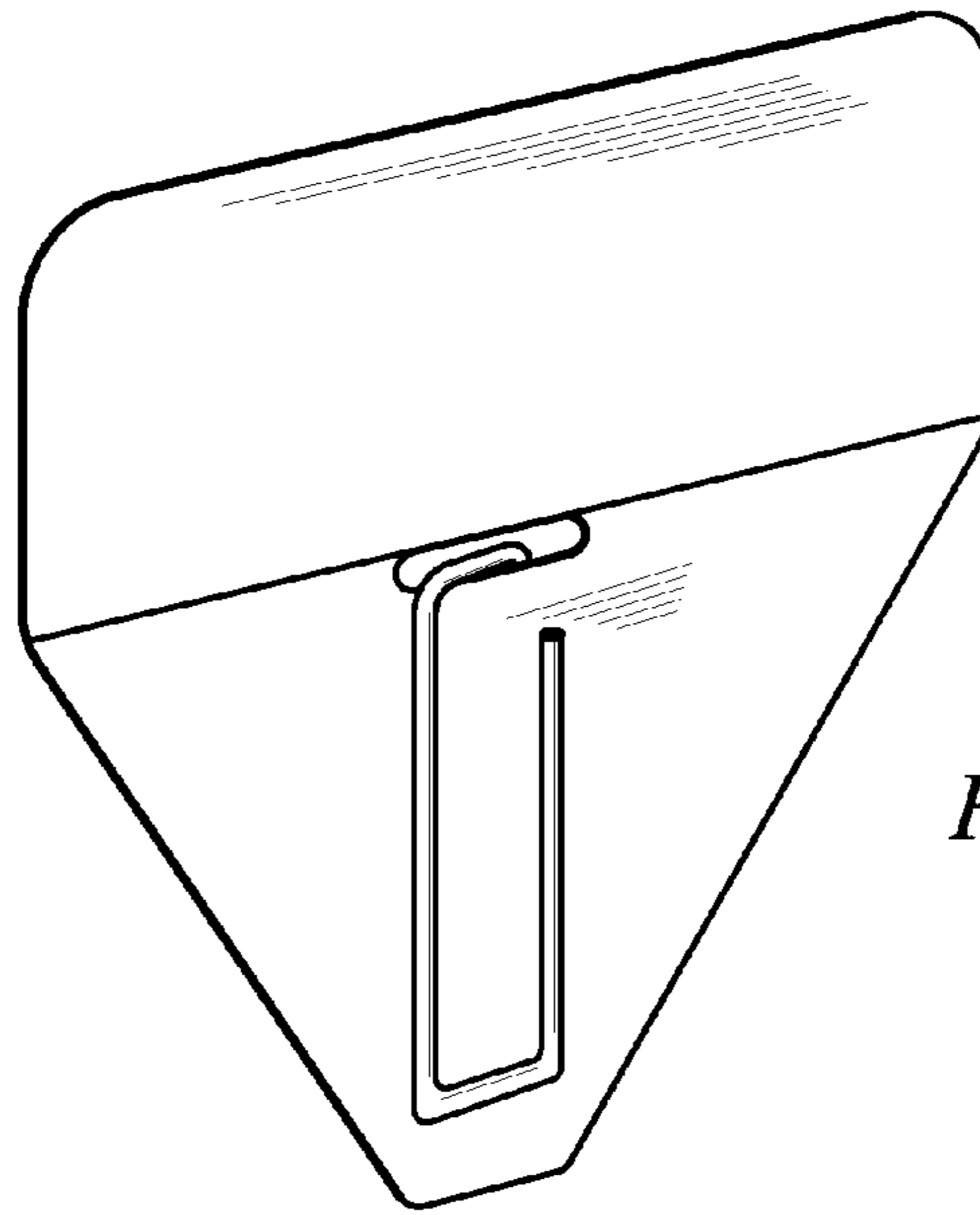


FIG. 25



FIG. 29



FIG. 30

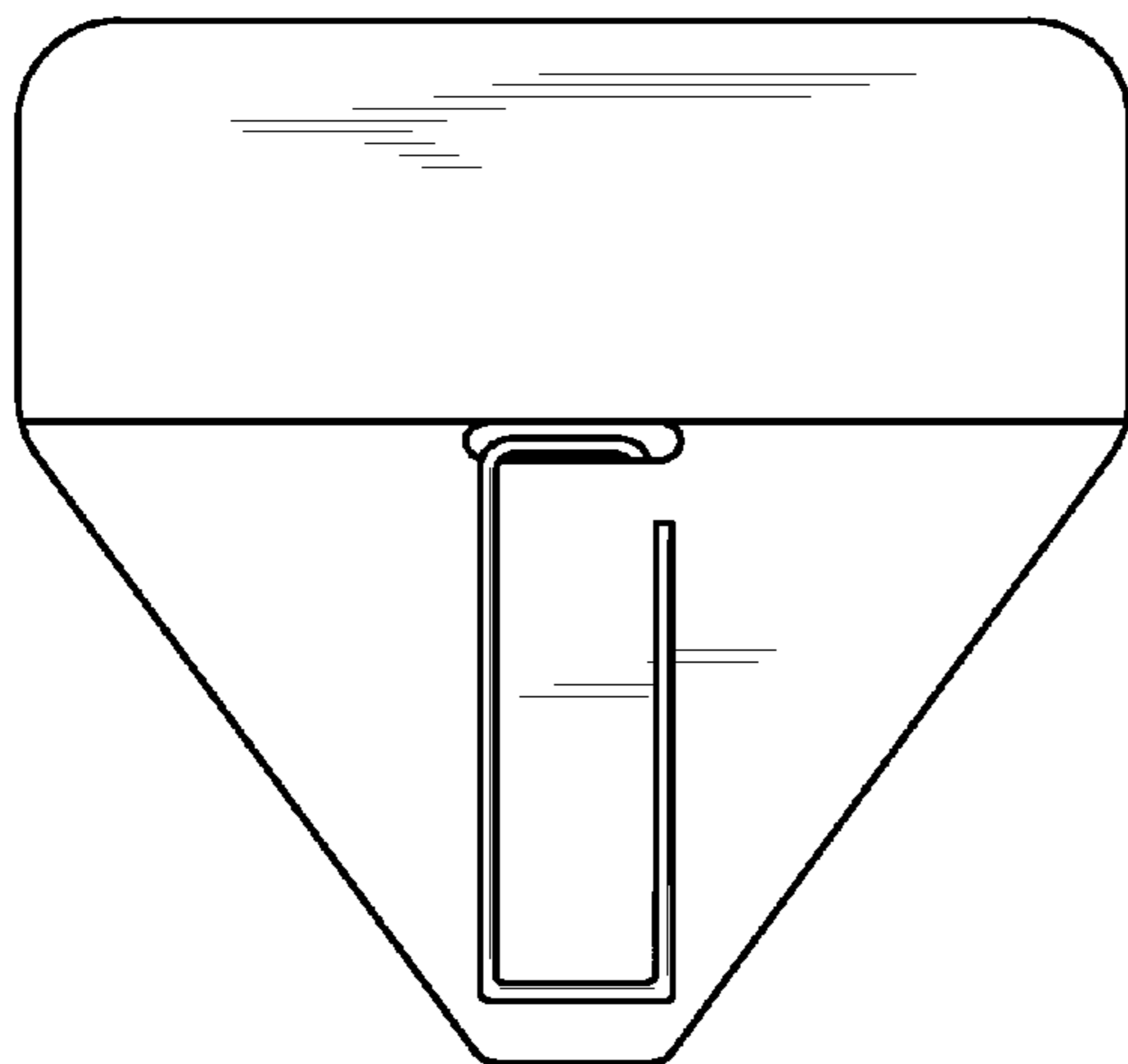


FIG. 26



FIG. 27

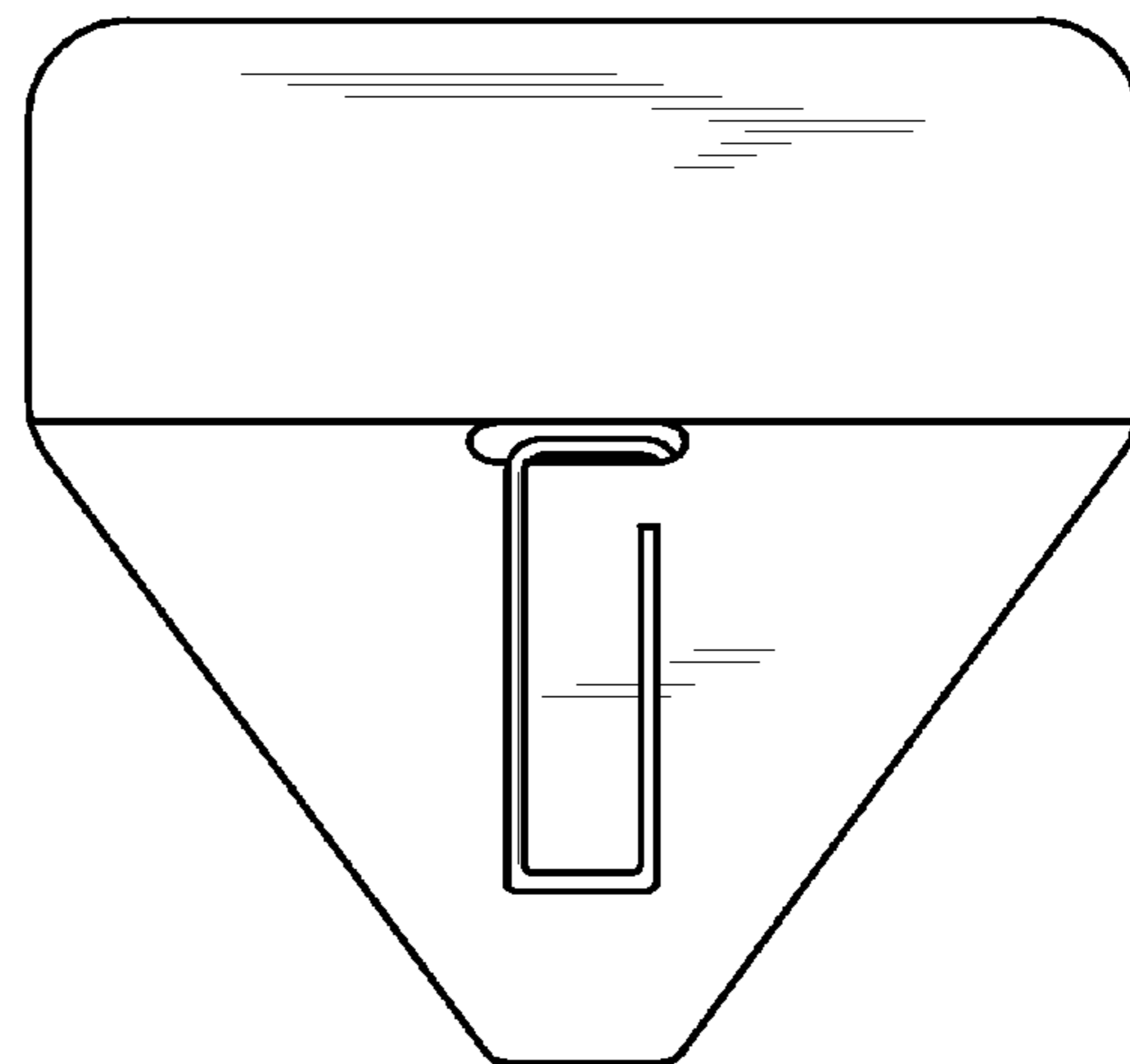


FIG. 28



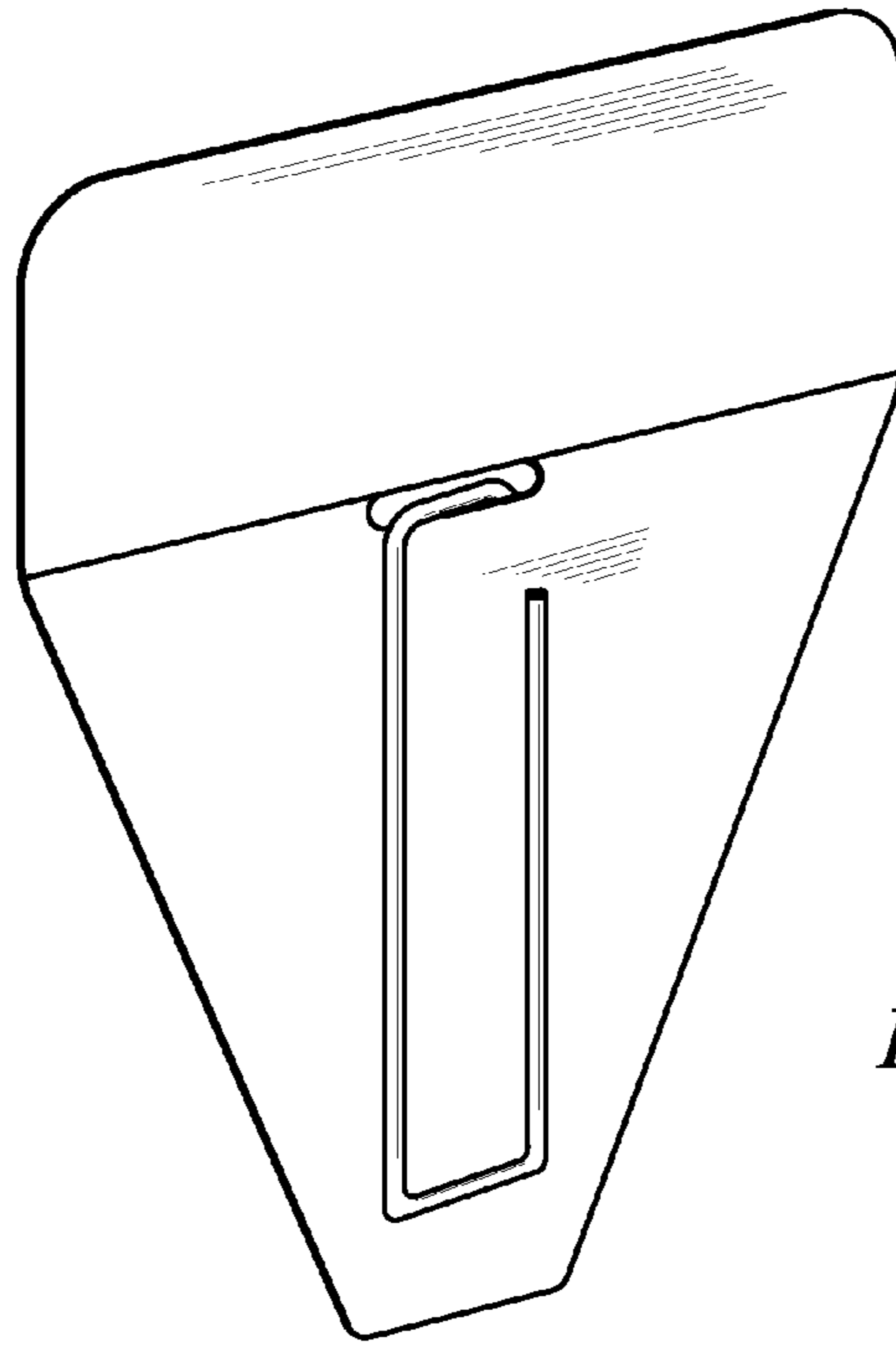


FIG. 31



FIG. 35



FIG. 36

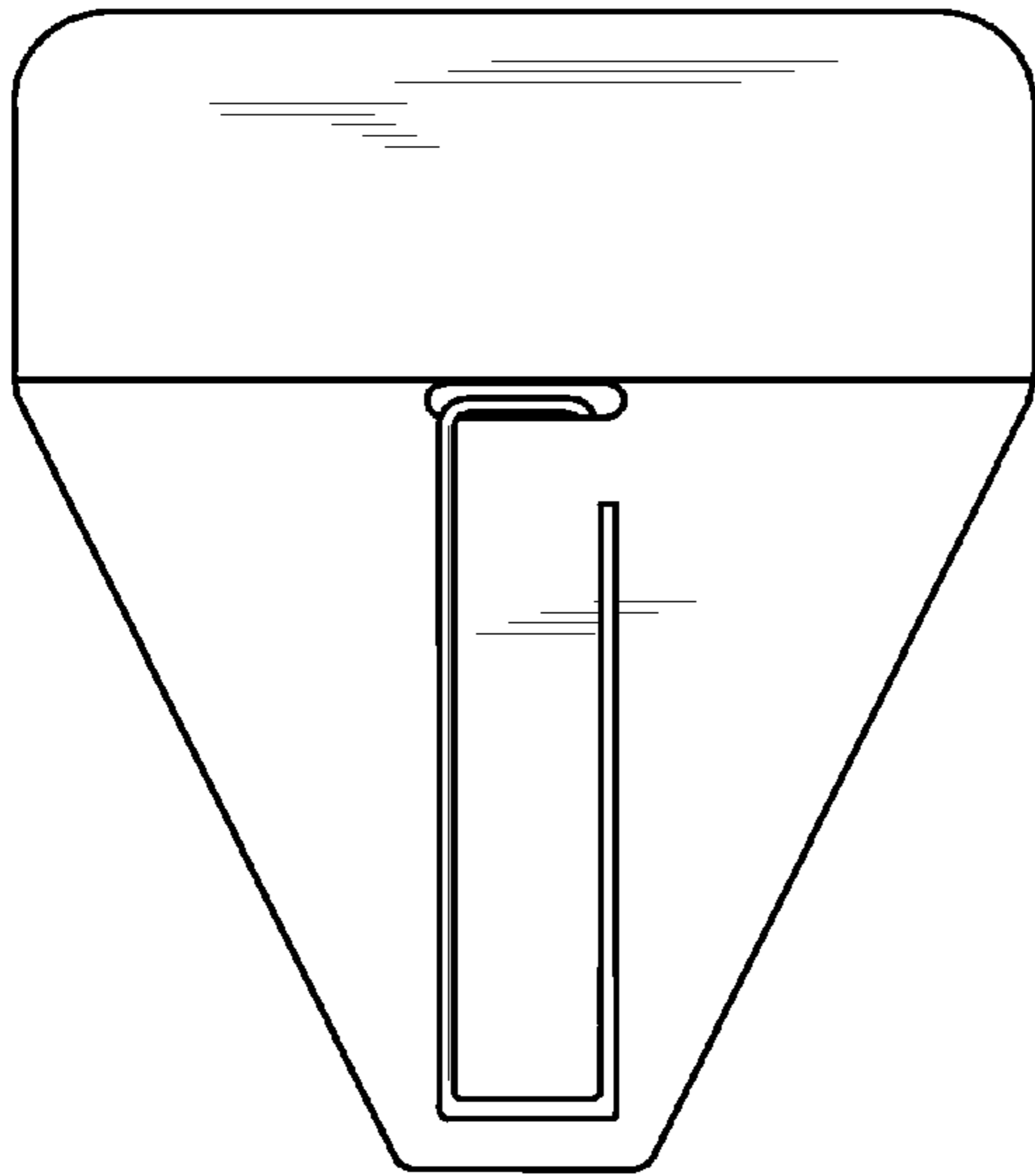


FIG. 32



FIG. 33

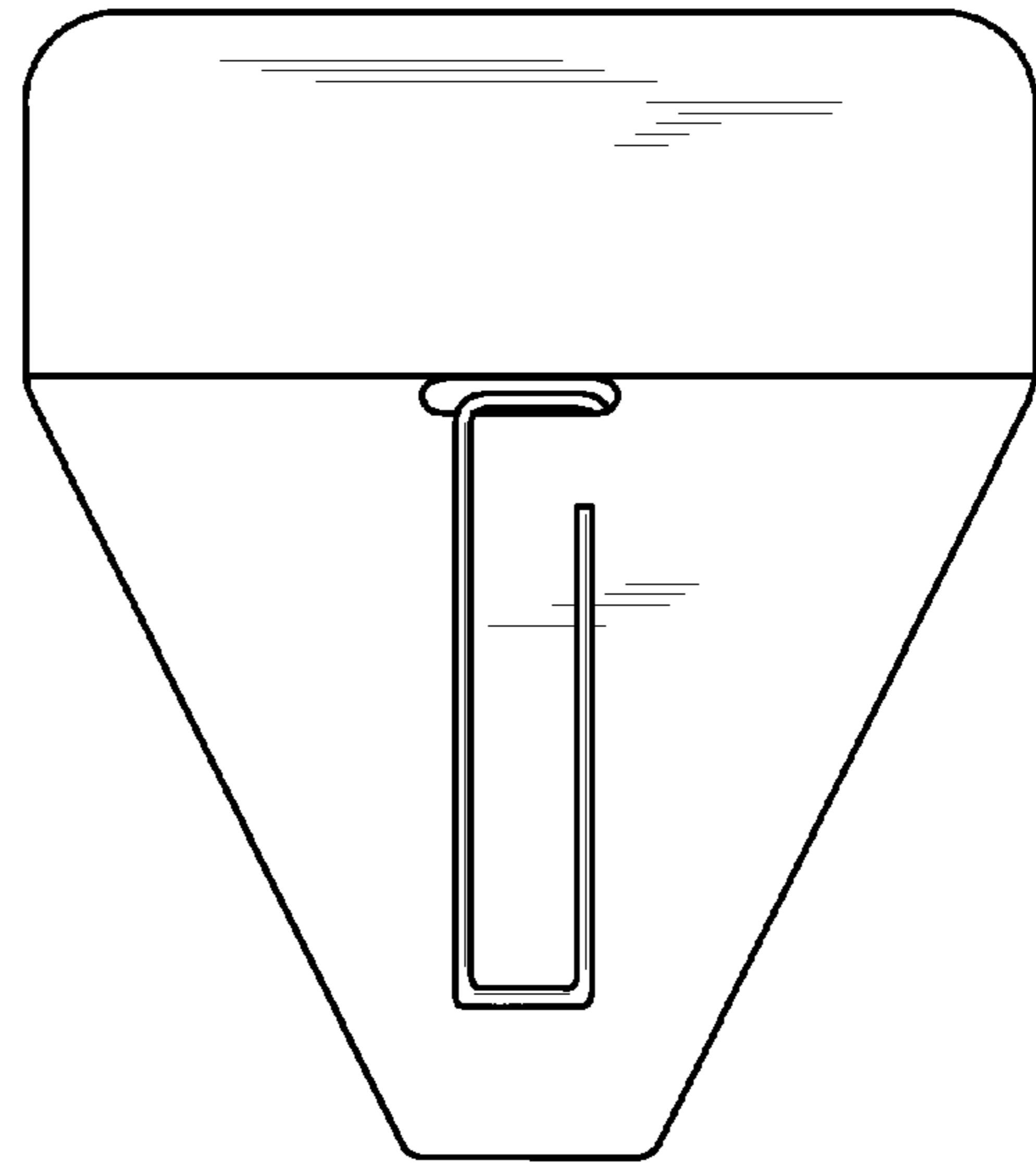
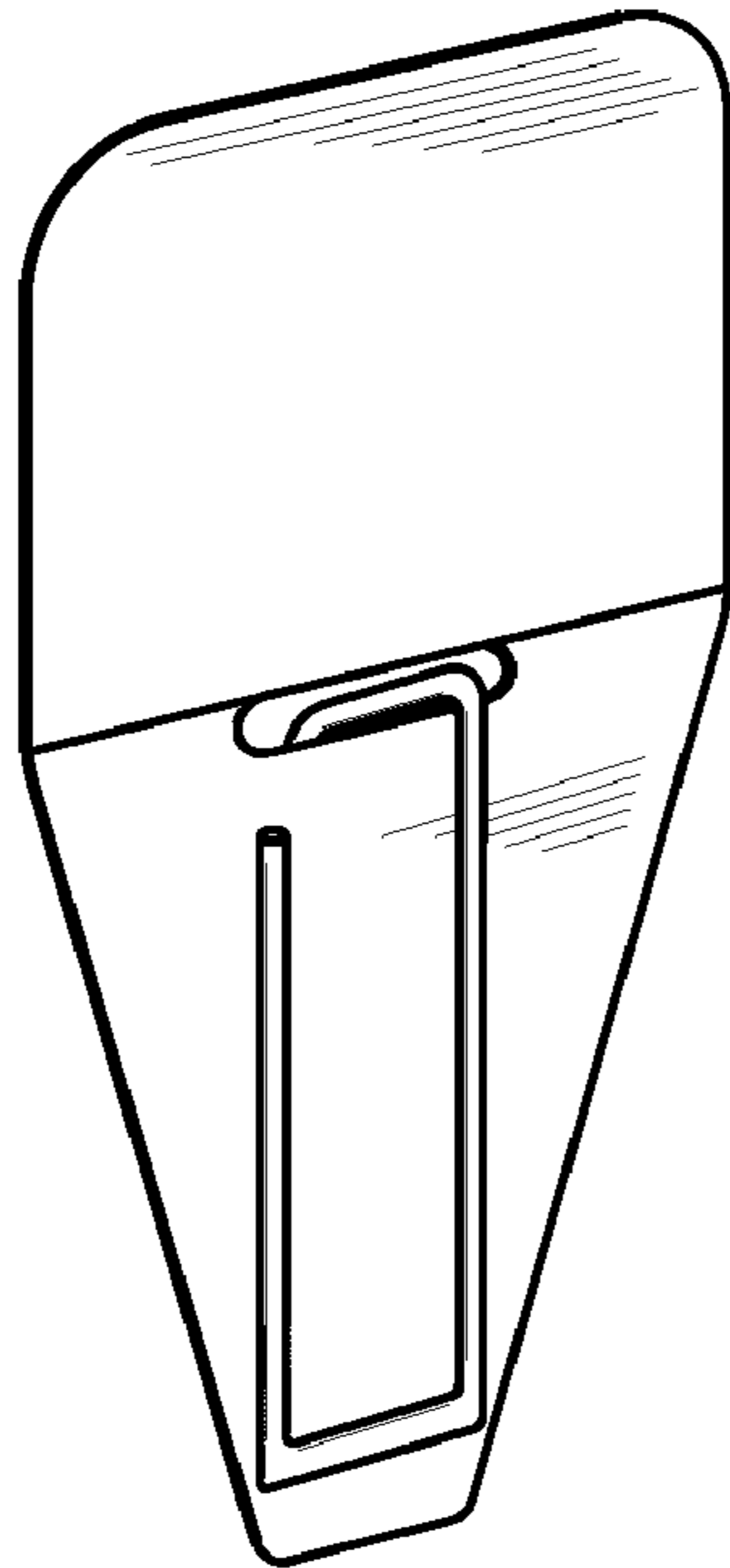


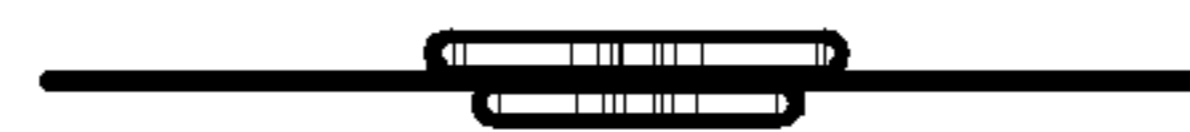
FIG. 34



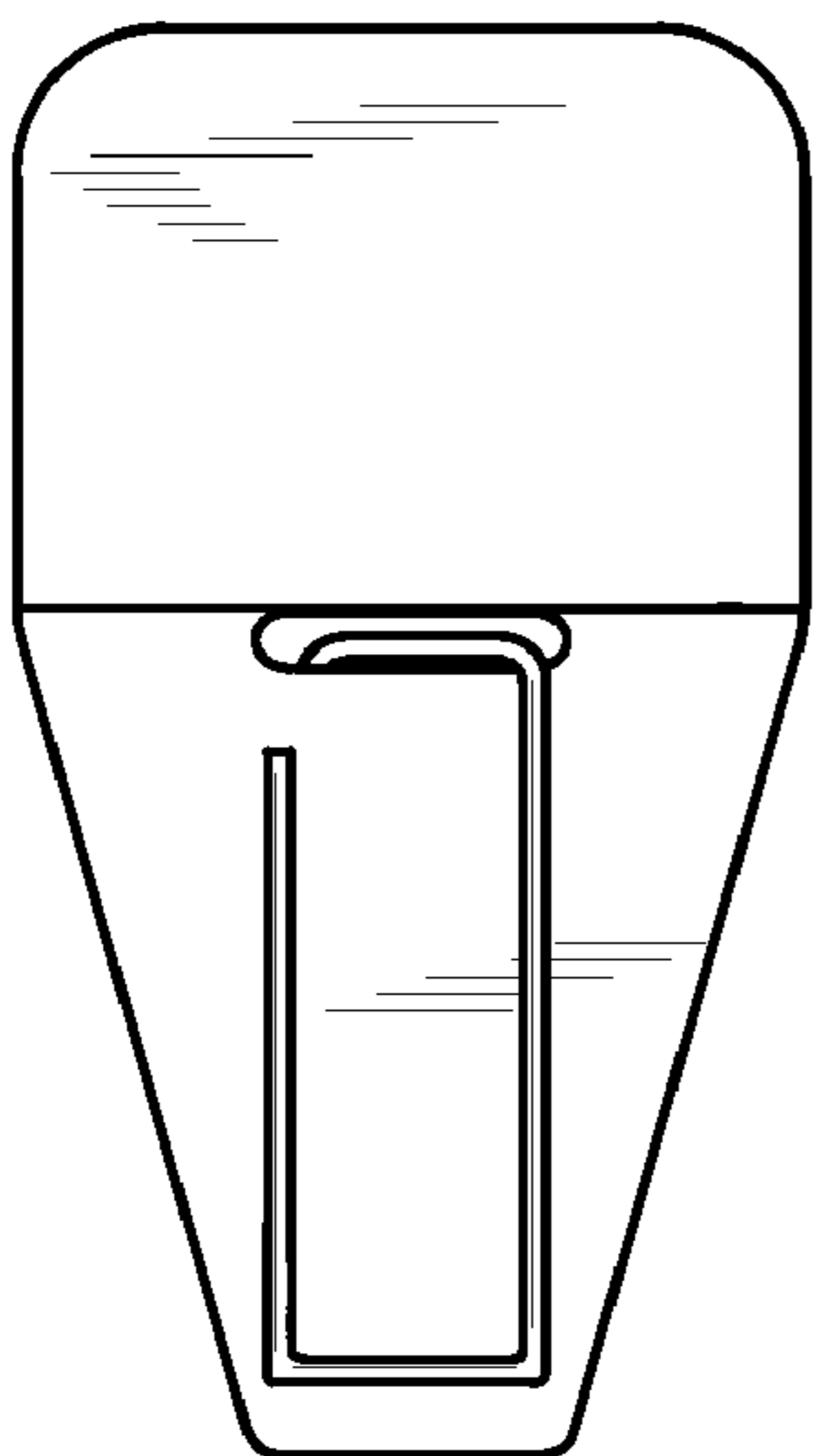
*FIG. 37*



*FIG. 41*



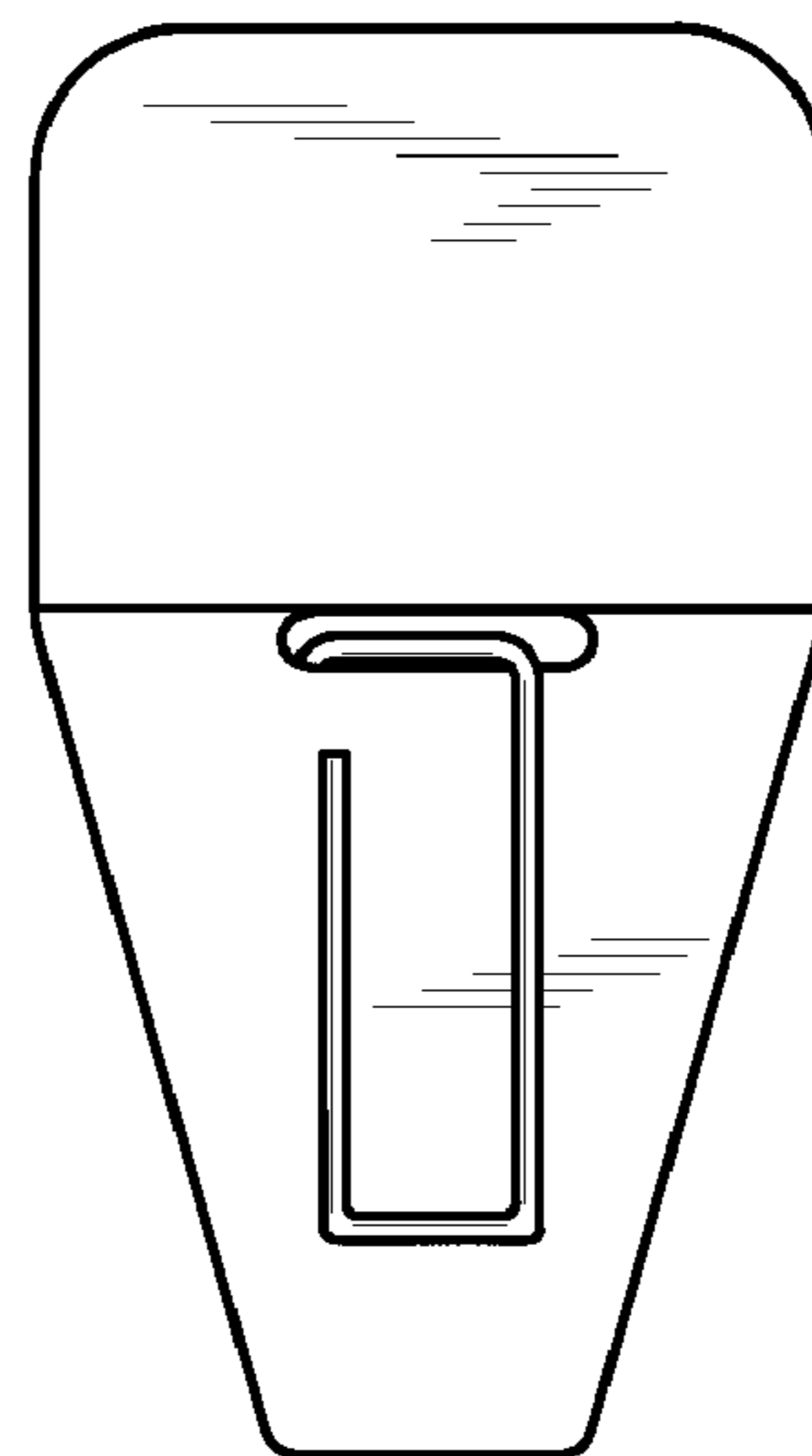
*FIG. 42*



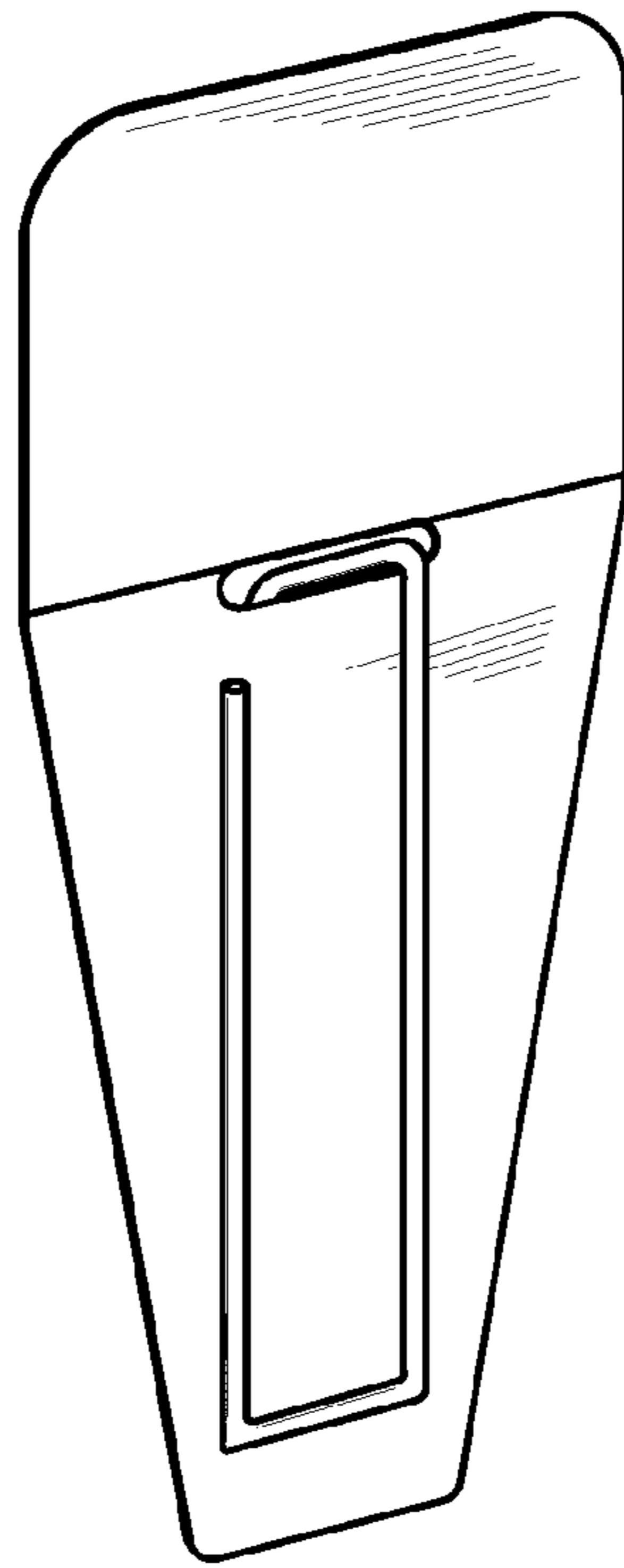
*FIG. 38*



*FIG. 39*



*FIG. 40*



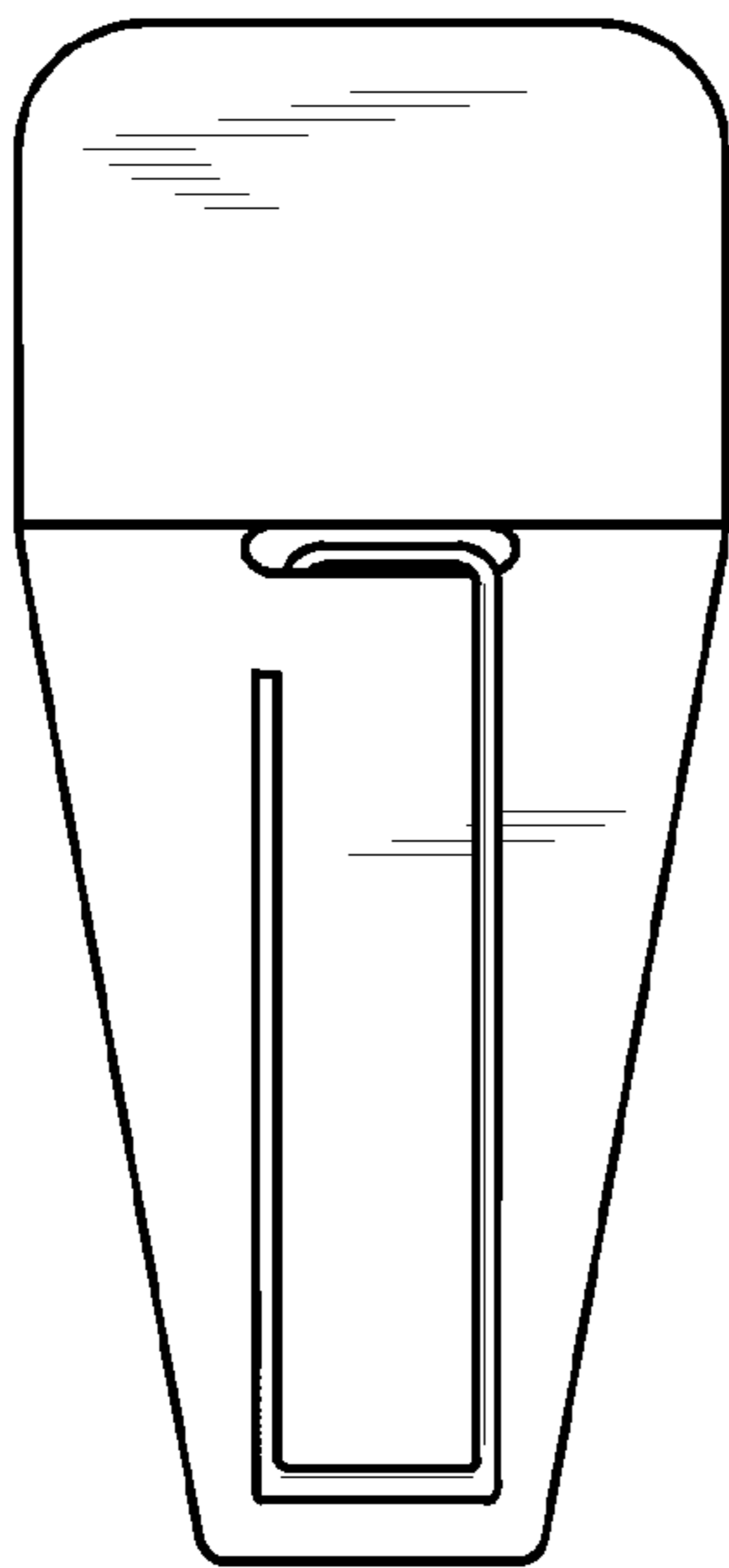
*FIG. 43*



*FIG. 47*



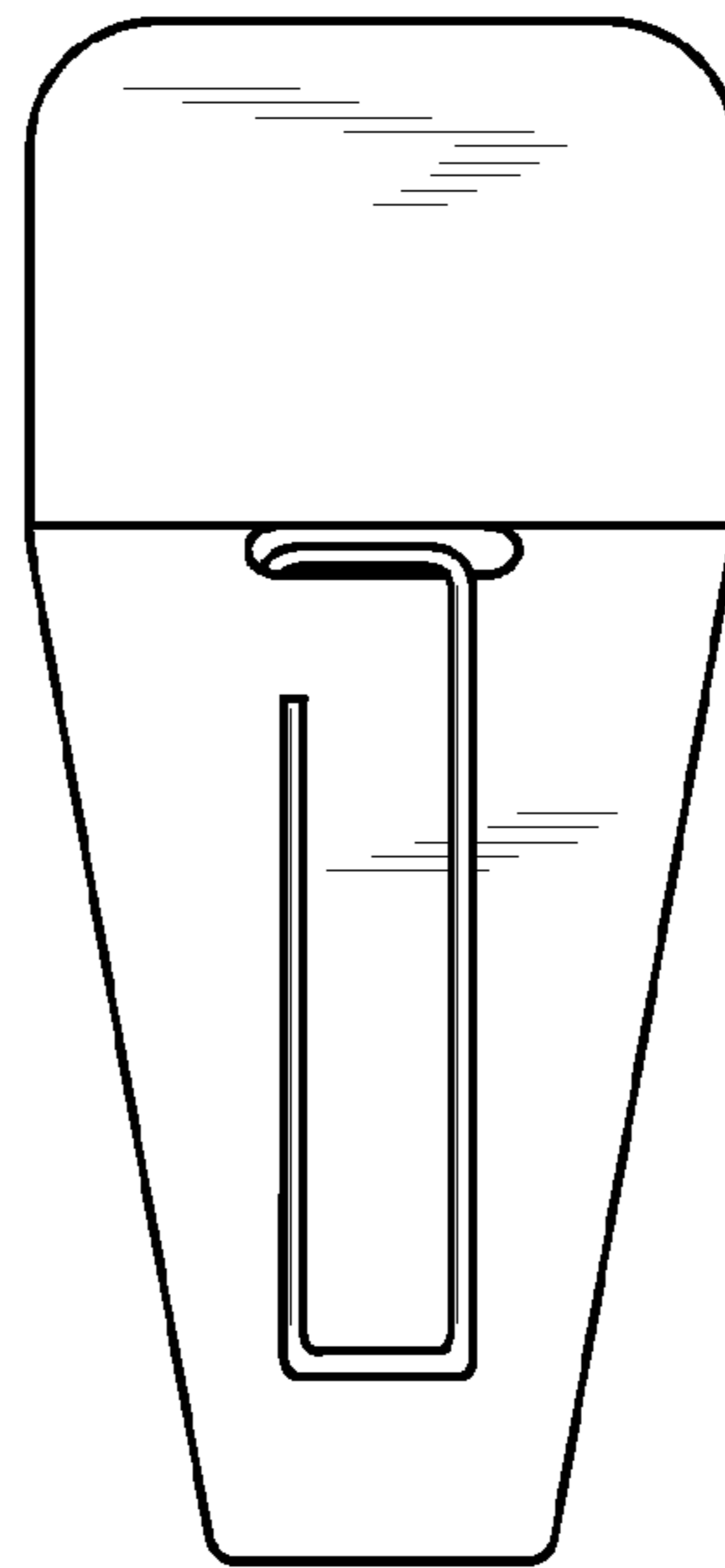
*FIG. 48*



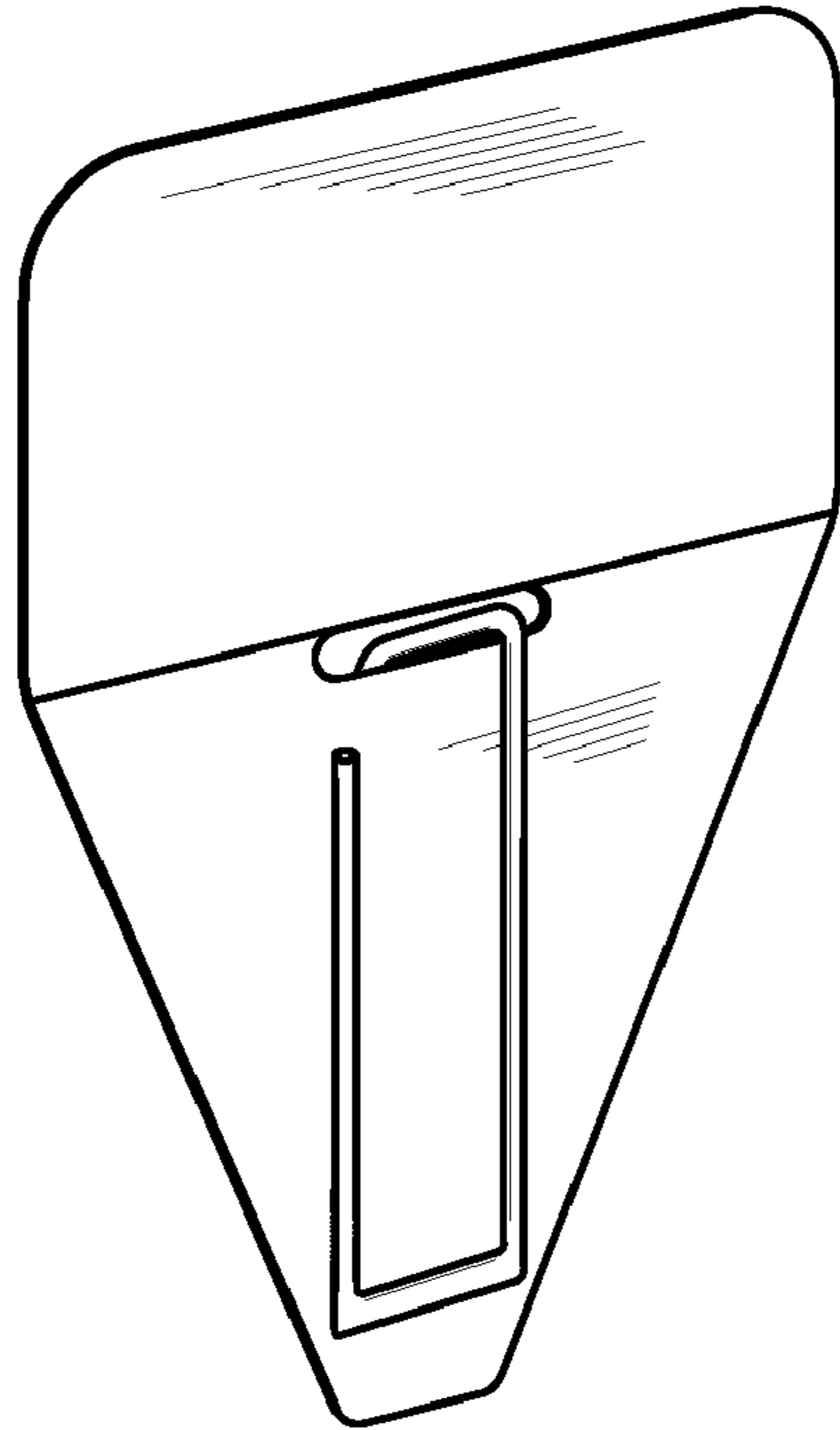
*FIG. 44*



*FIG. 45*



*FIG. 46*



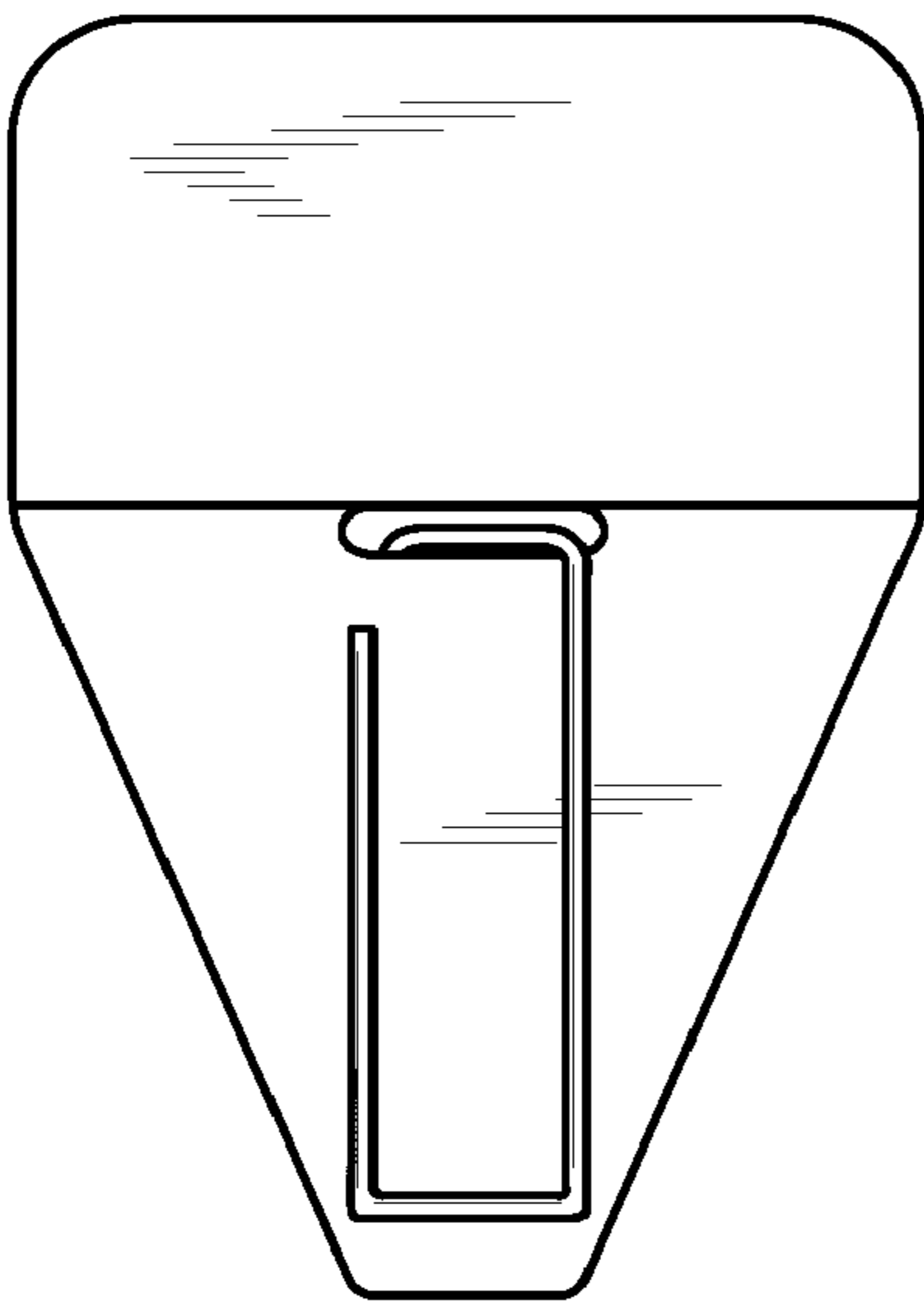
*FIG. 49*



*FIG. 53*



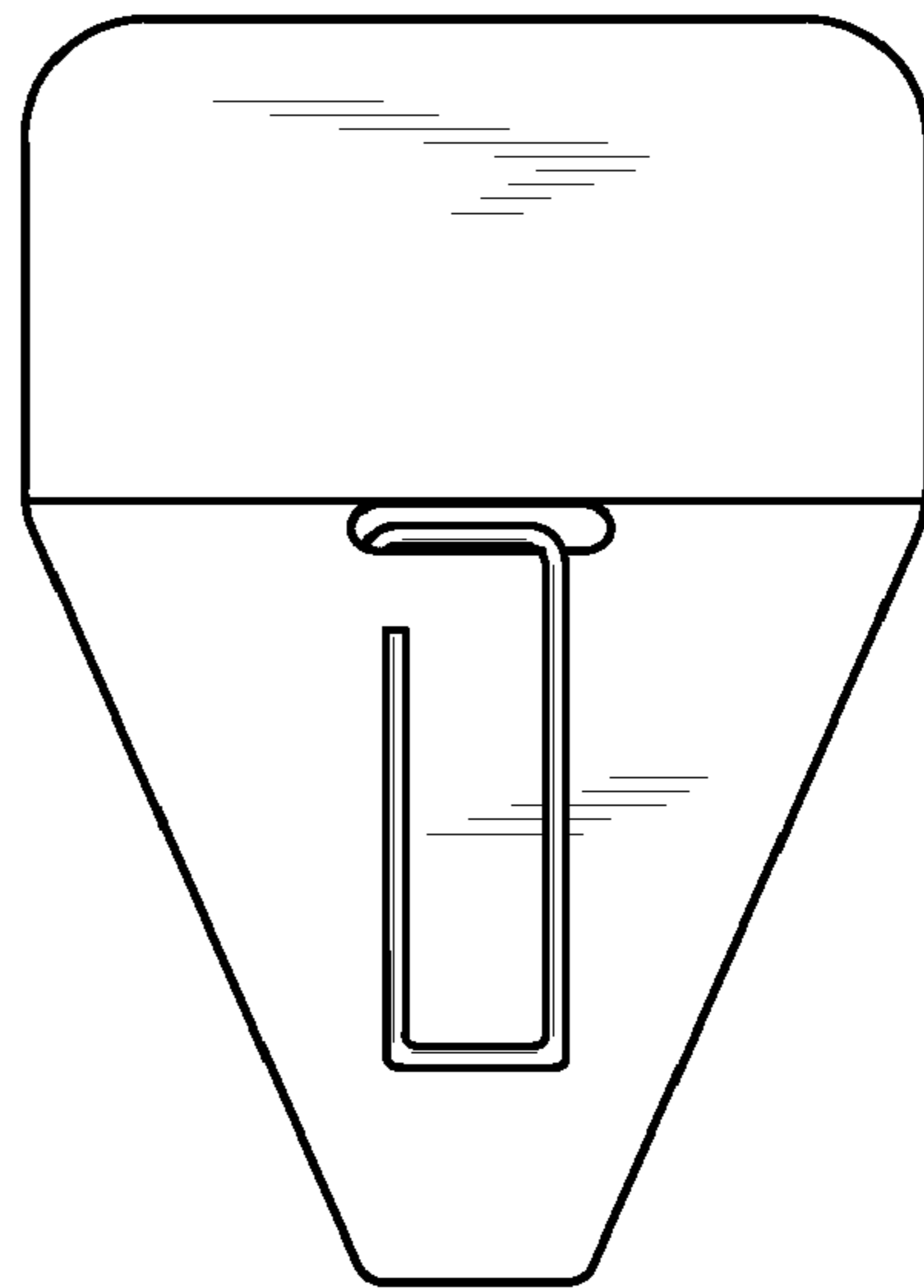
*FIG. 54*



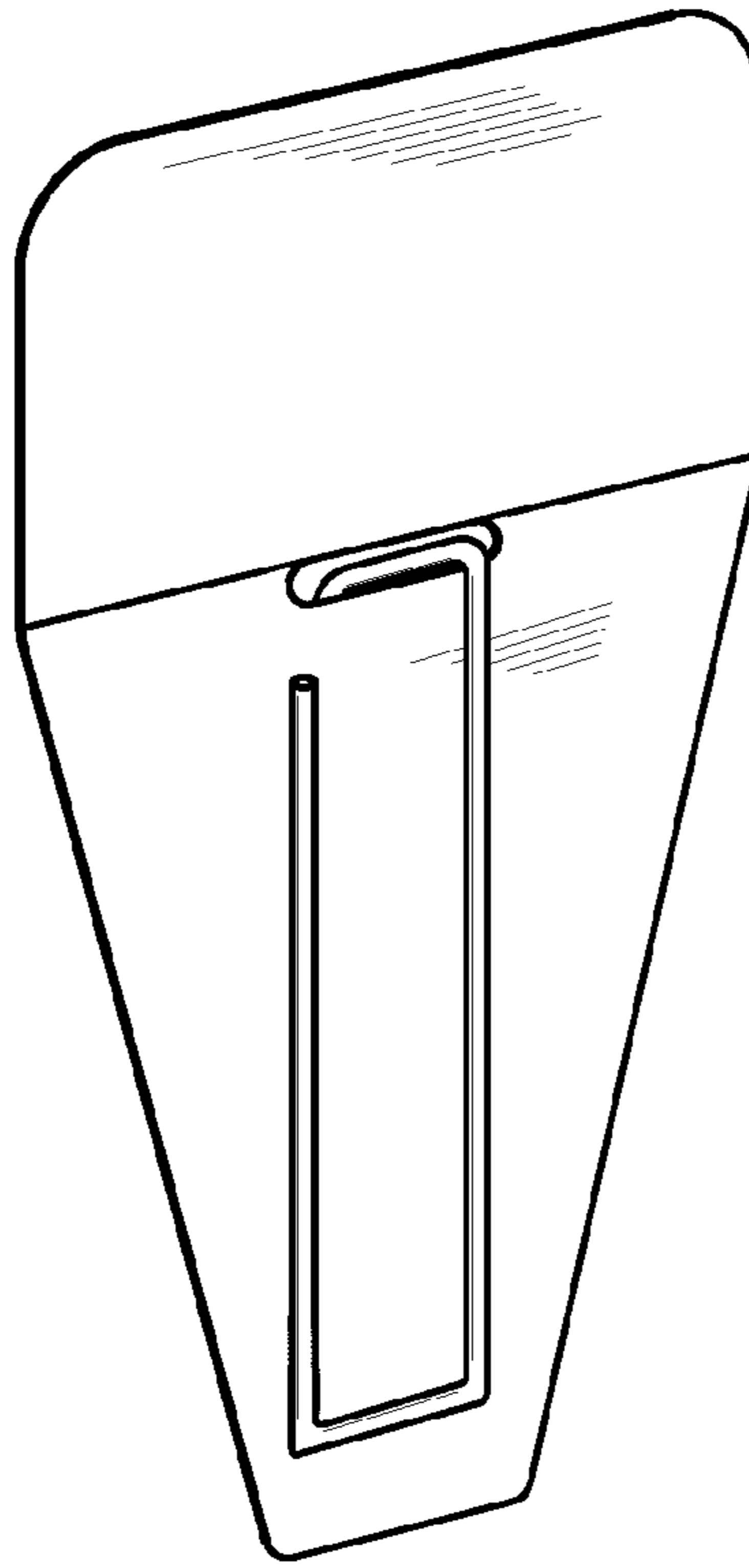
*FIG. 50*



*FIG. 51*



*FIG. 52*



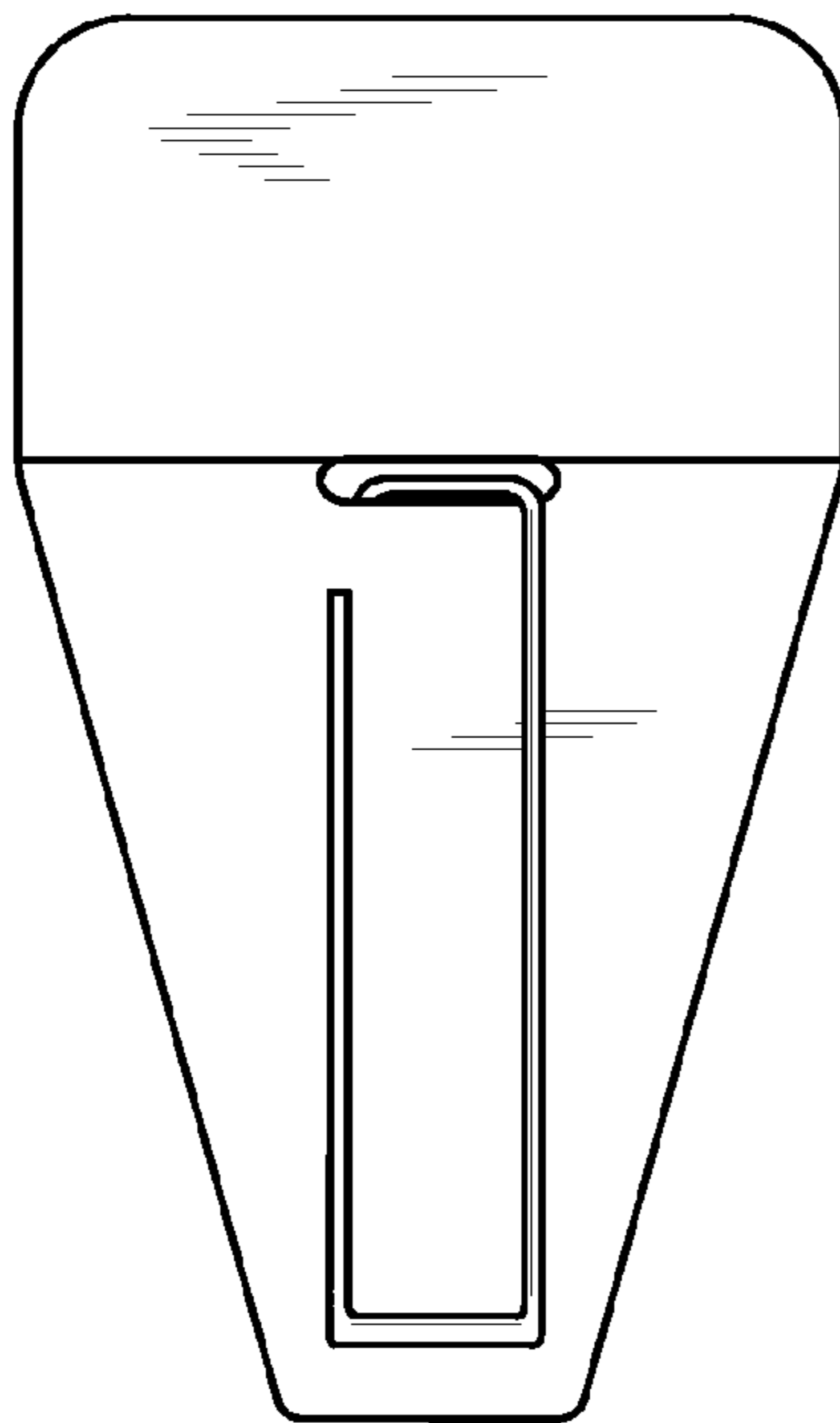
*FIG. 55*



*FIG. 59*



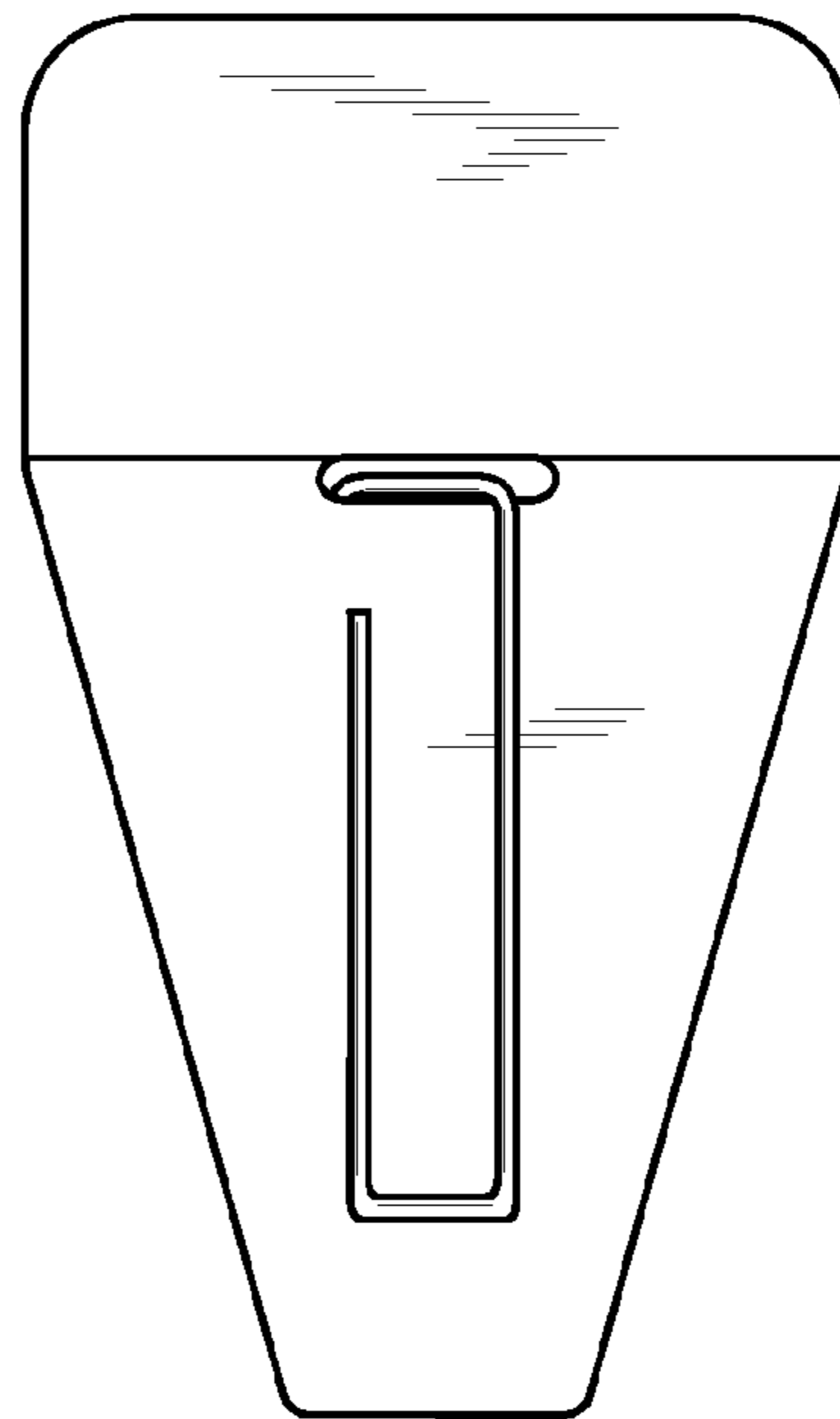
*FIG. 60*



*FIG. 56*



*FIG. 57*



*FIG. 58*



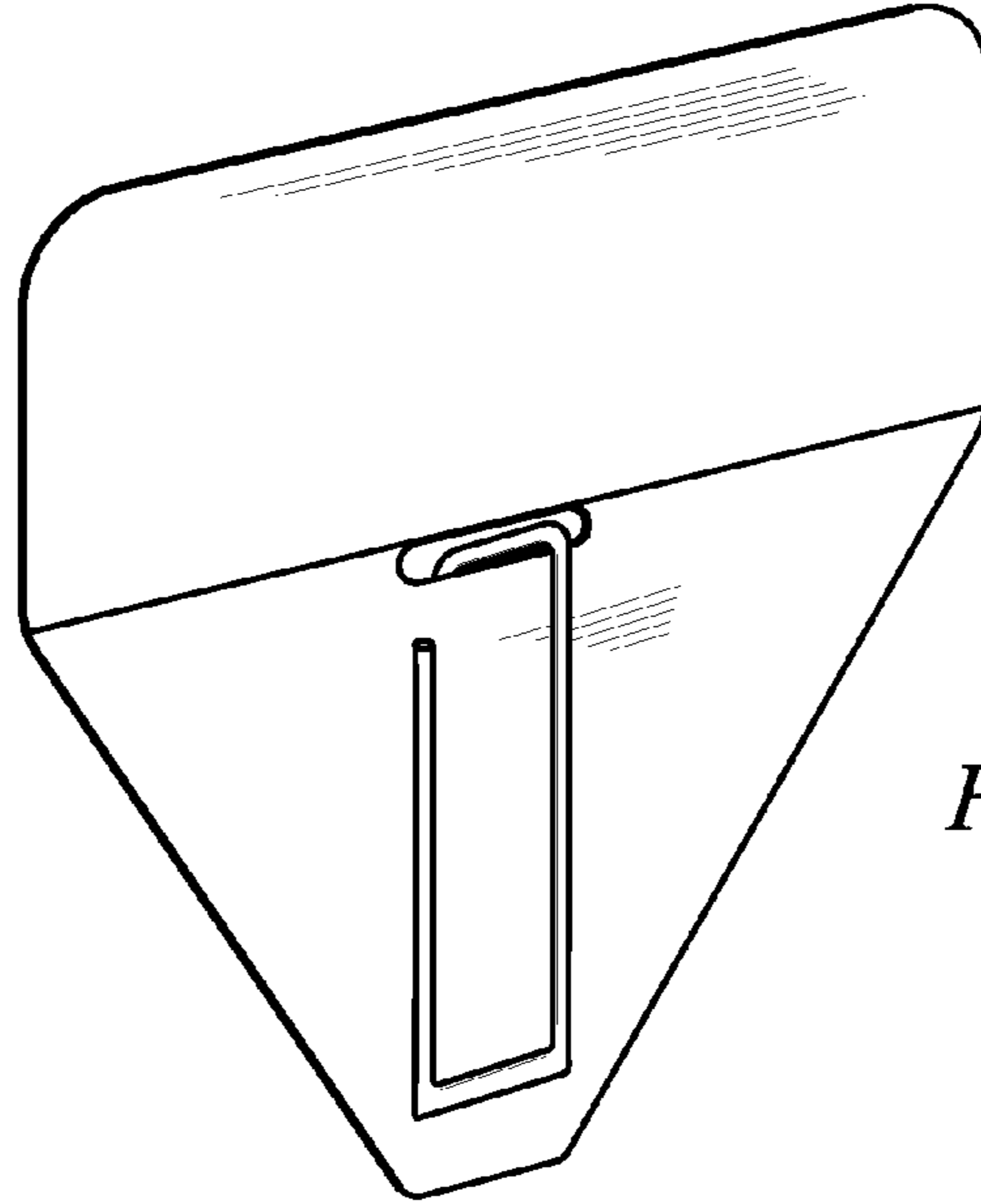


FIG. 61



FIG. 65



FIG. 66

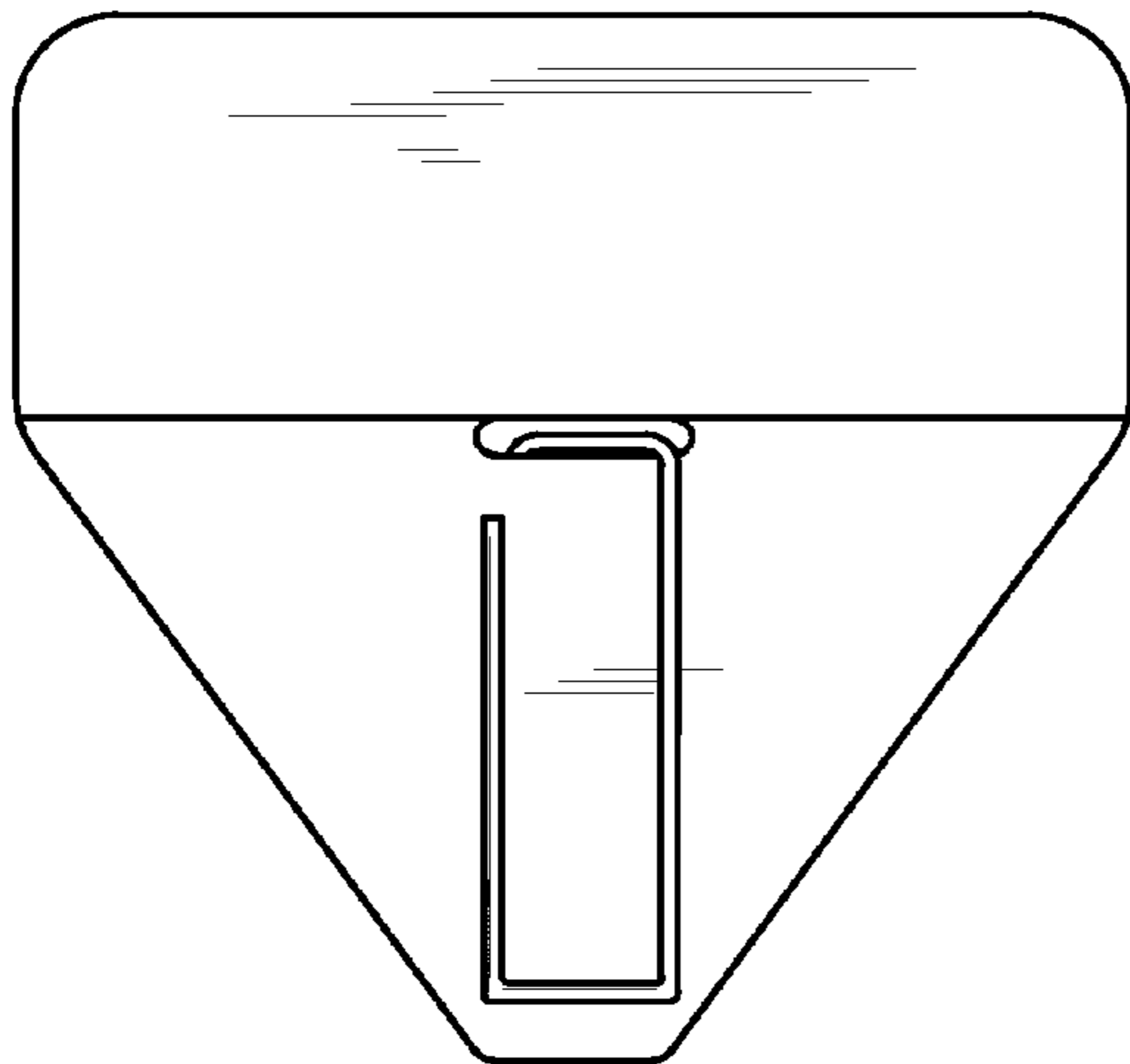


FIG. 62



FIG. 63

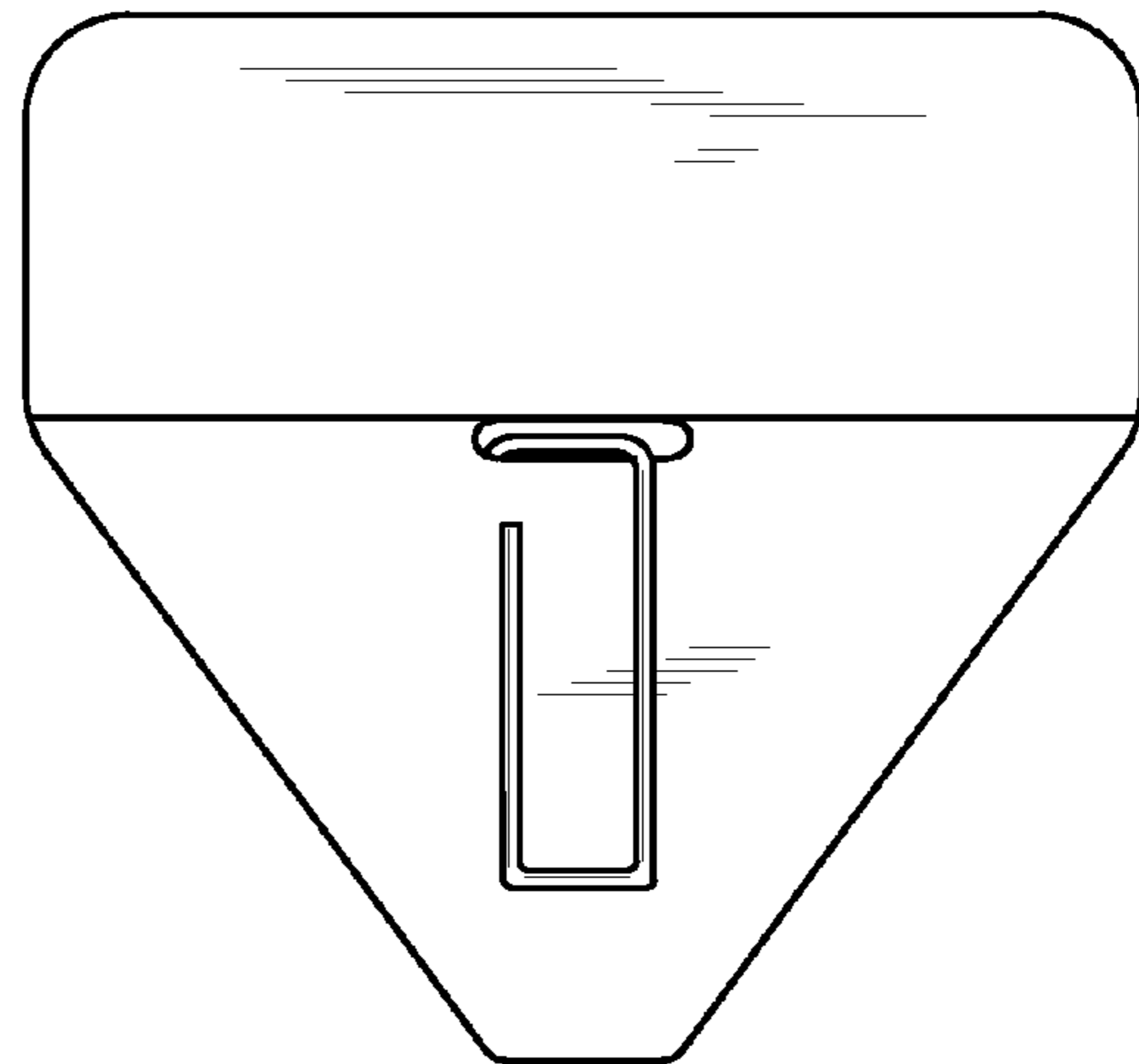


FIG. 64

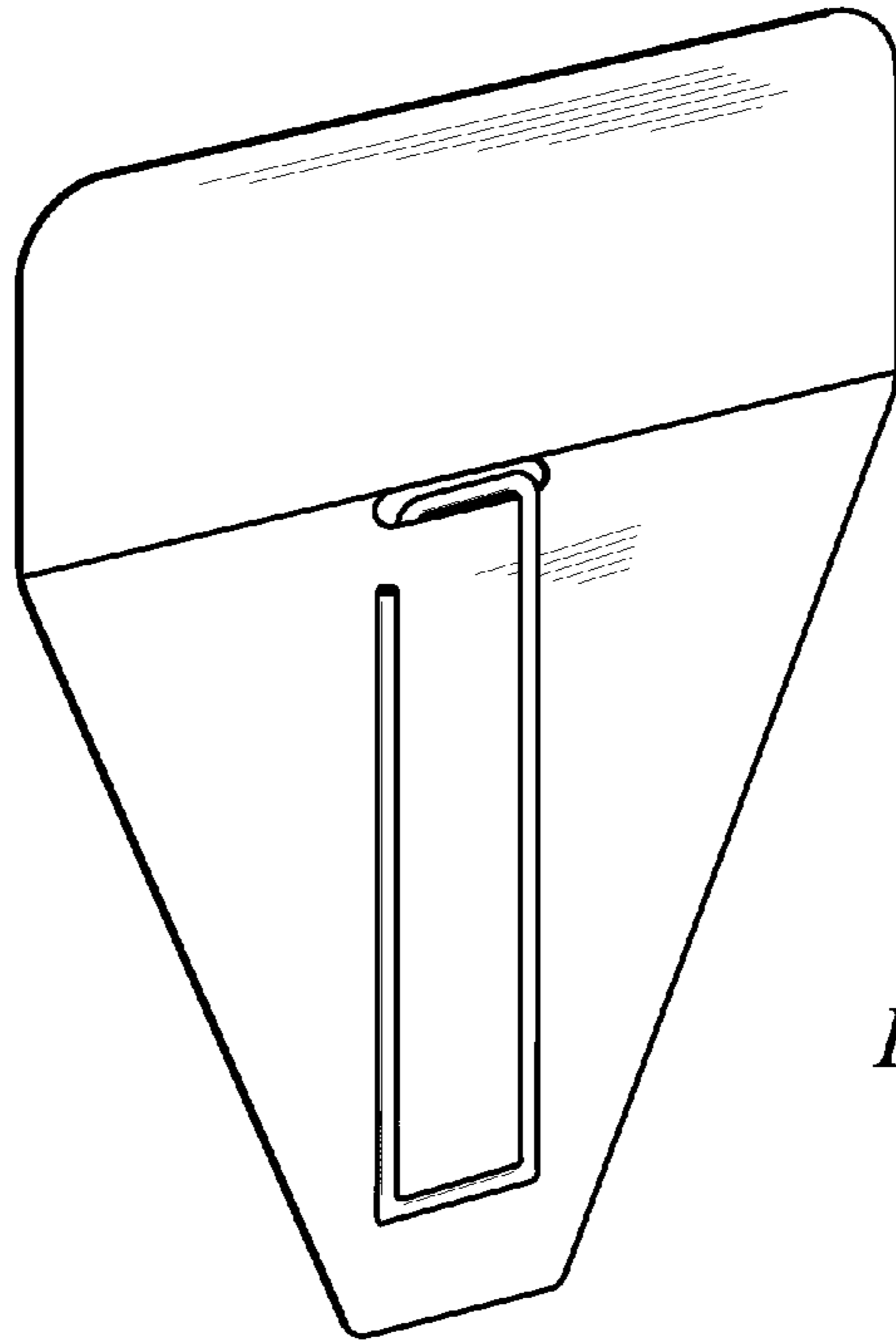


FIG. 67



FIG. 71



FIG. 72

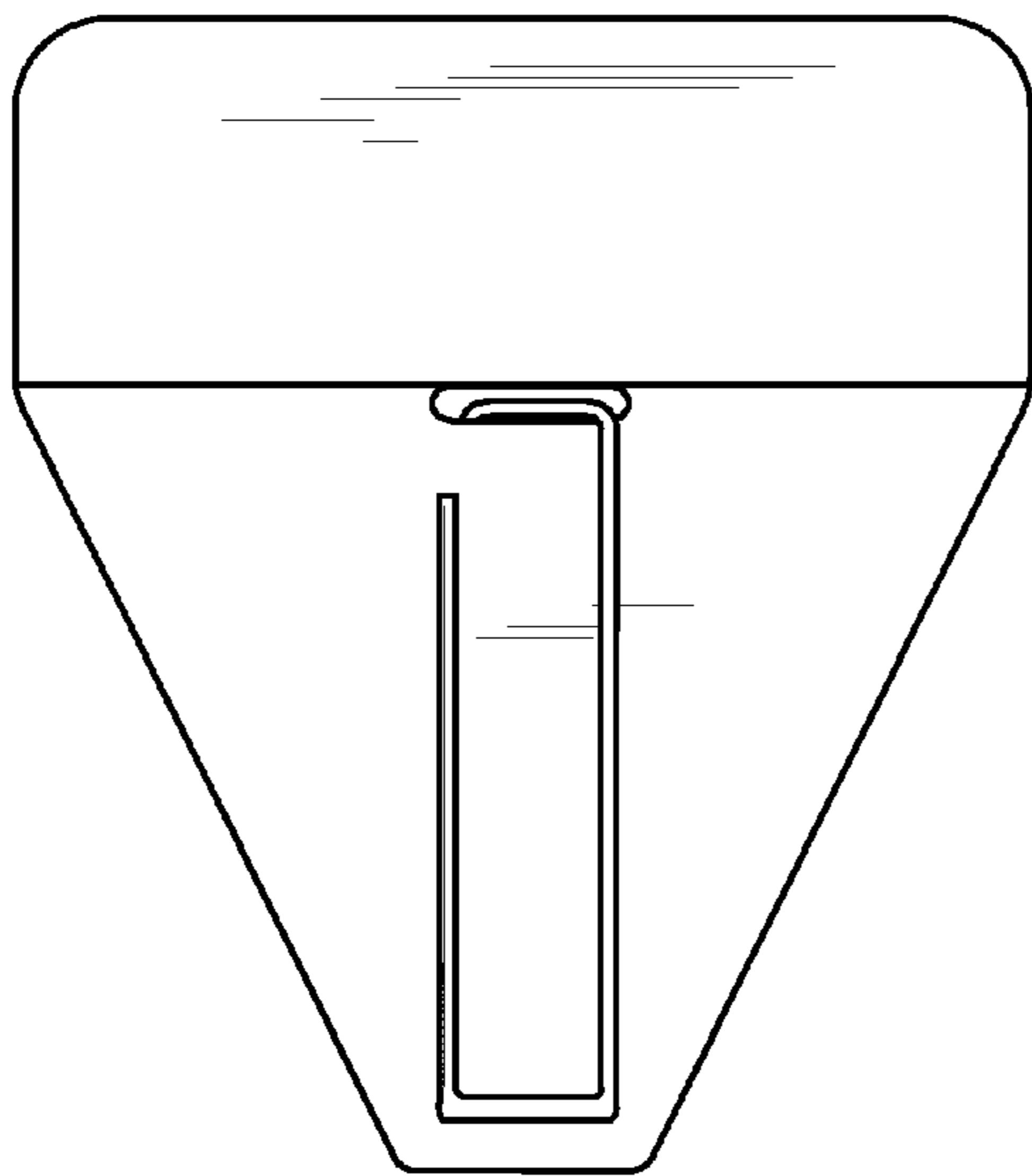


FIG. 68



FIG. 69

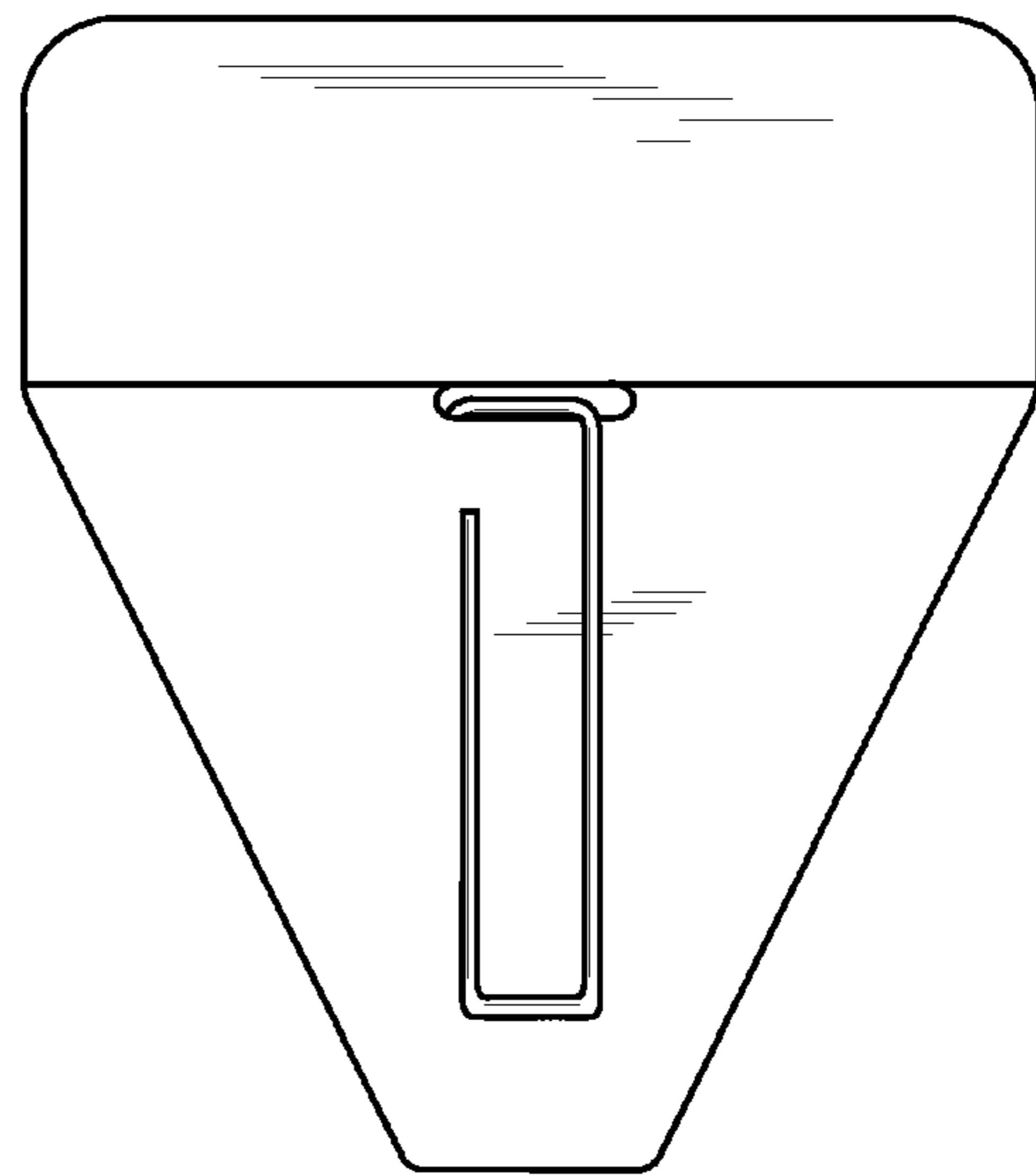


FIG. 70