



US00D565656S

(12) **United States Design Patent**
Silverstein

(10) **Patent No.:** **US D565,656 S**

(45) **Date of Patent:** **** Apr. 1, 2008**

(54) **CLIP FOR A WRITING INSTRUMENT**

D540,384 S * 4/2007 Qiu D19/43

(75) Inventor: **Jason Silverstein**, Chicago, IL (US)

FOREIGN PATENT DOCUMENTS

(73) Assignee: **Sanford, L.P.**, Oak Brook, IL (US)

EM	000166822-0001	*	7/2004
EM	000590898-0001	*	9/2006
EM	000590898-0002	*	9/2006
EM	000590898-0003	*	9/2006
EM	000590898-0004	*	9/2006

(**) Term: **14 Years**

(21) Appl. No.: **29/284,941**

OTHER PUBLICATIONS

(22) Filed: **Sep. 18, 2007**

Rotring Pens Initial, as shown on www.sanfordb2b.co.uk, viewed Aug. 8, 2007 (1 page).*

Related U.S. Application Data

* cited by examiner

(62) Division of application No. 29/257,844, filed on Apr. 11, 2006.

Primary Examiner—Elizabeth A. Albert

Assistant Examiner—Karen E Eldridge Powers

(51) **LOC (8) Cl.** **19-06**

(74) *Attorney, Agent, or Firm*—Marshall Gerstein & Borun, LLP

(52) **U.S. Cl.** **D19/56**

(58) **Field of Classification Search** D19/35,
D19/36, 41–51, 54–57; D27/146; 24/11 R,
24/11 F, 11 P; 401/6–8, 52, 99, 100, 104–109,
401/192, 195, 243–247, 334; 362/118
See application file for complete search history.

(57) **CLAIM**

The ornamental design for a clip for a writing instrument, as shown and described.

(56) **References Cited**

DESCRIPTION

U.S. PATENT DOCUMENTS

FIG. 1 is a front elevation view showing my new design for a clip for a writing instrument;

- | | | | | | | |
|-----------|----|---|---------|-----------------|-------|---------|
| D132,664 | S | * | 6/1942 | Dreyfuss | | D19/56 |
| 3,453,694 | A | * | 7/1969 | Hechtle | | 24/11 F |
| D329,874 | S | * | 9/1992 | Cuadrado | | D19/48 |
| D336,923 | S | * | 6/1993 | Lin | | D19/57 |
| D395,674 | S | * | 6/1998 | Boix Gacia | | D19/51 |
| D418,541 | S | * | 1/2000 | Mayer | | D19/50 |
| D445,827 | S | * | 7/2001 | Stropkay et al. | | D19/43 |
| D451,957 | S | * | 12/2001 | Trenti | | D19/51 |
| D469,805 | S | * | 2/2003 | Liu | | D19/43 |
| D484,186 | S | * | 12/2003 | Monti | | D19/43 |
| D485,575 | S | * | 1/2004 | Lovell | | D19/51 |
| D501,882 | S | * | 2/2005 | Hamilton et al. | | D19/51 |
| 7,125,186 | B1 | * | 10/2006 | Stokes | | 401/8 |
| D539,348 | S | * | 3/2007 | Hamilton et al. | | D19/50 |

FIG. 2 is a left side elevation view of the clip of FIG. 1, the right side view being a mirror image thereof;

FIG. 3 is a top plan view of the clip of FIG. 1;

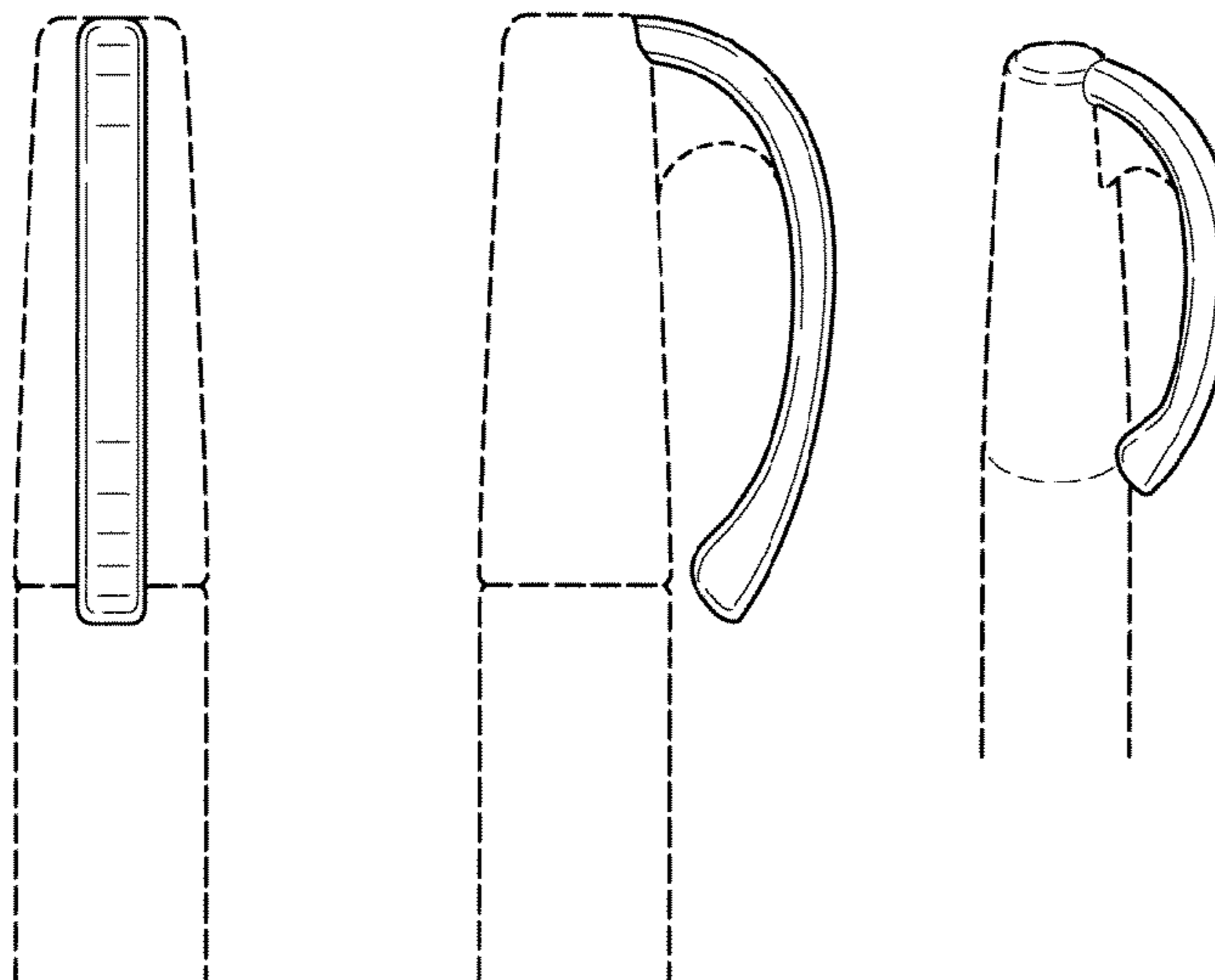
FIG. 4 is a bottom plan view of the clip of FIG. 1;

FIG. 5 is a perspective view of the clip of FIG. 1; and,

FIG. 6 is a second perspective view of the clip of FIG. 1.

The broken line showing of a pen cap and barrel in the drawings illustrates environmental matter and forms no part of the claimed design.

1 Claim, 1 Drawing Sheet



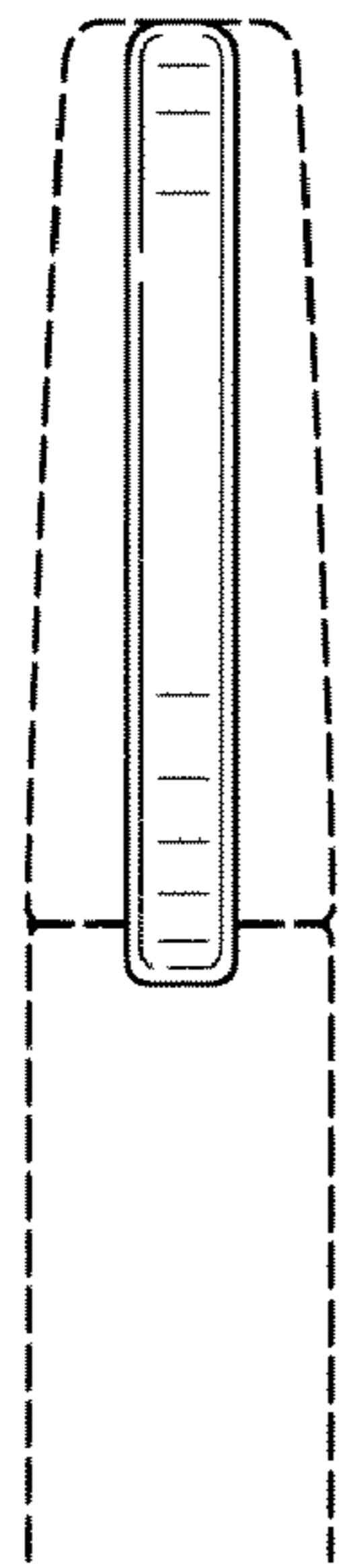


FIG. 1

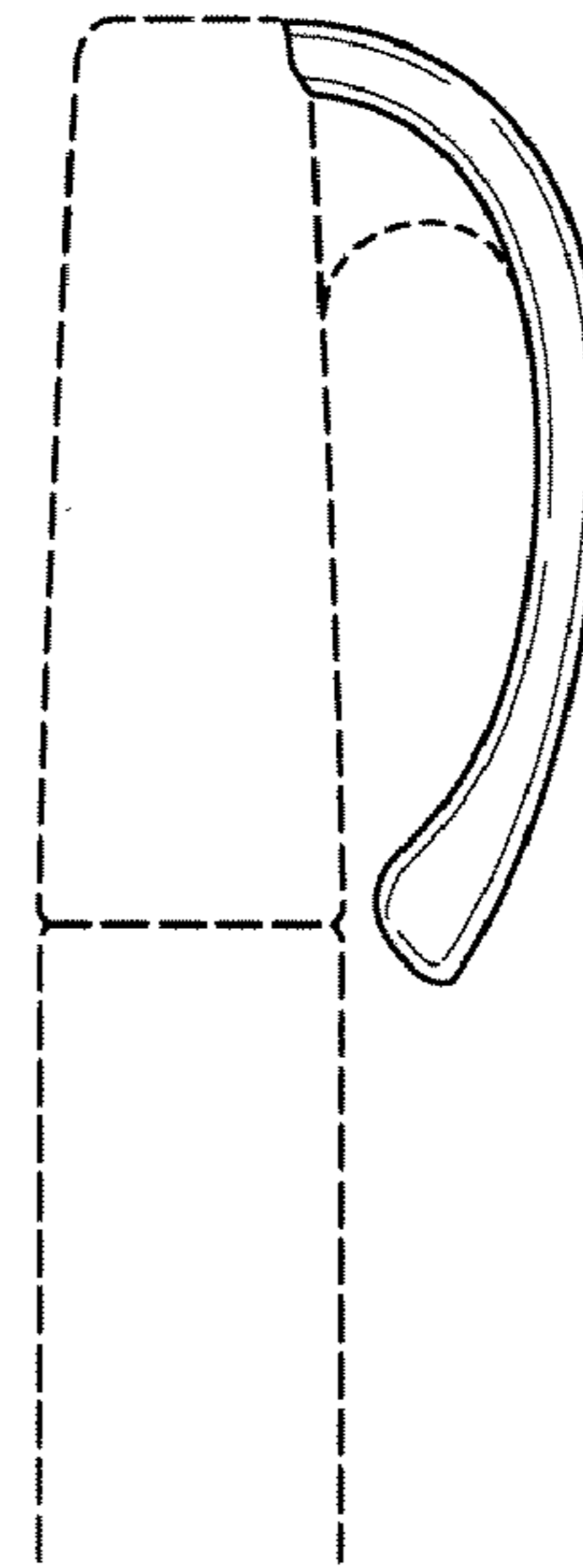


FIG. 2

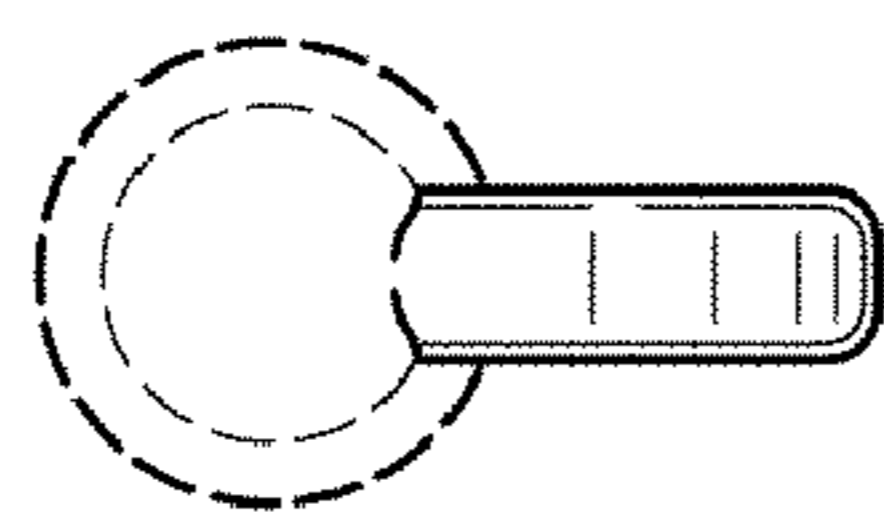


FIG. 3

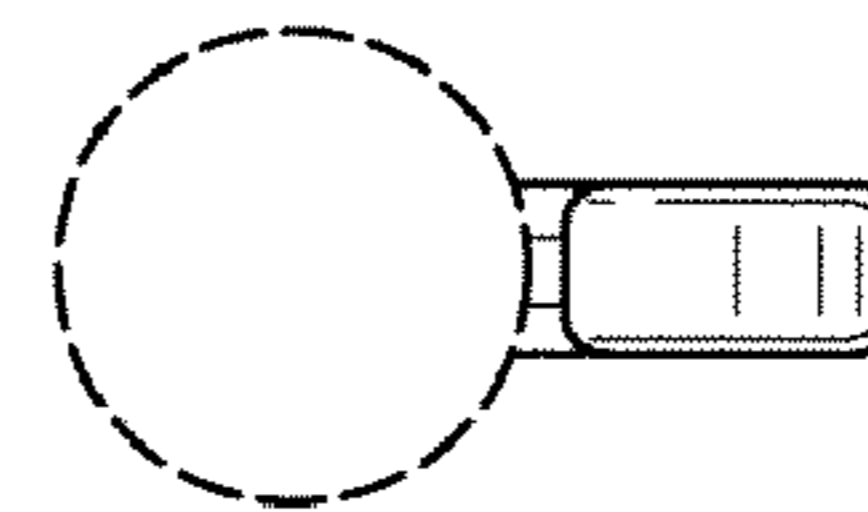


FIG. 4

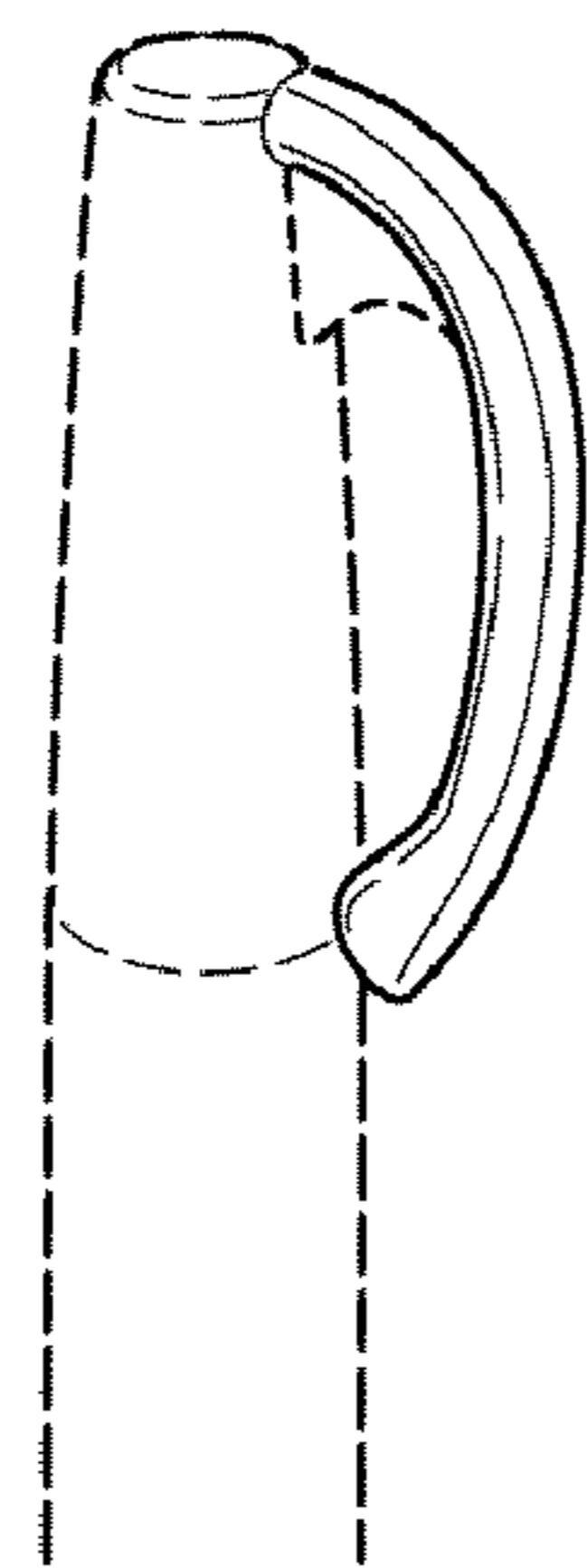


FIG. 5

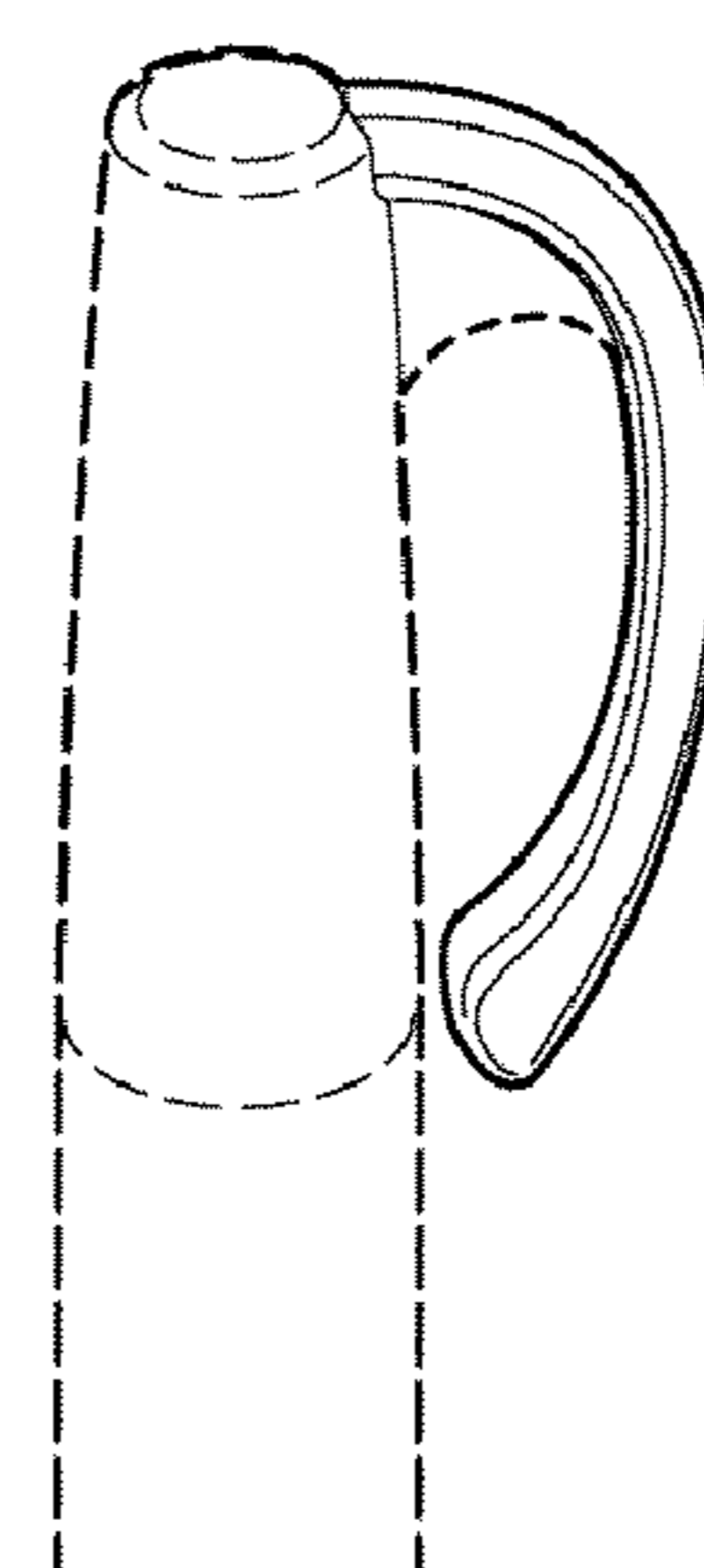


FIG. 6