

US00D565655S

(12) **United States Design Patent**  
**Bhavnani**

(10) **Patent No.:** **US D565,655 S**

(45) **Date of Patent:** **\*\* Apr. 1, 2008**

- (54) **PEN**
- (75) Inventor: **Dilip Bhavnani**, Beverly Hills, CA  
(US)
- (73) Assignee: **Sun Coast Merchandise Corporation**,  
Commerce, CA (US)
- (\*\*) Term: **14 Years**
- (21) Appl. No.: **29/283,161**
- (22) Filed: **Aug. 7, 2007**
- (51) **LOC (8) Cl.** ..... **19-06**
- (52) **U.S. Cl.** ..... **D19/51**
- (58) **Field of Classification Search** ..... D19/35,  
D19/36, 41-51, 53-57; 24/11 F, 11 P, 11 R;  
401/52, 99, 100, 104-109, 192, 195, 196  
See application file for complete search history.

- D489,407 S \* 5/2004 Keda ..... D19/51
- D501,509 S \* 2/2005 Lecce ..... D19/51
- D503,741 S \* 4/2005 Pellissa Beneyto ..... D19/51
- D509,536 S \* 9/2005 Nishida ..... D19/43
- D513,766 S \* 1/2006 Cetera ..... D19/36
- D523,083 S \* 6/2006 Furlong et al. .... D19/57
- D547,802 S \* 7/2007 Jeon ..... D19/43

**OTHER PUBLICATIONS**

U.S. Appl. No. 29/284,104, Dilip Bhavnani.  
U.S. Appl. No. 29/295,641, Dilip Bhavnani.

\* cited by examiner

*Primary Examiner*—Elizabeth A Albert  
(74) *Attorney, Agent, or Firm*—The Soni Law Firm

(57) **CLAIM**

The ornamental design for a pen, as shown and described.

**DESCRIPTION**

FIG. 1 is a front bottom side perspective view of the pen showing my new design;

FIG. 2 is a front elevational view thereof;

FIG. 3 is a right elevational view thereof;

FIG. 4 is a left elevational view thereof;

FIG. 5 is a back elevational view thereof;

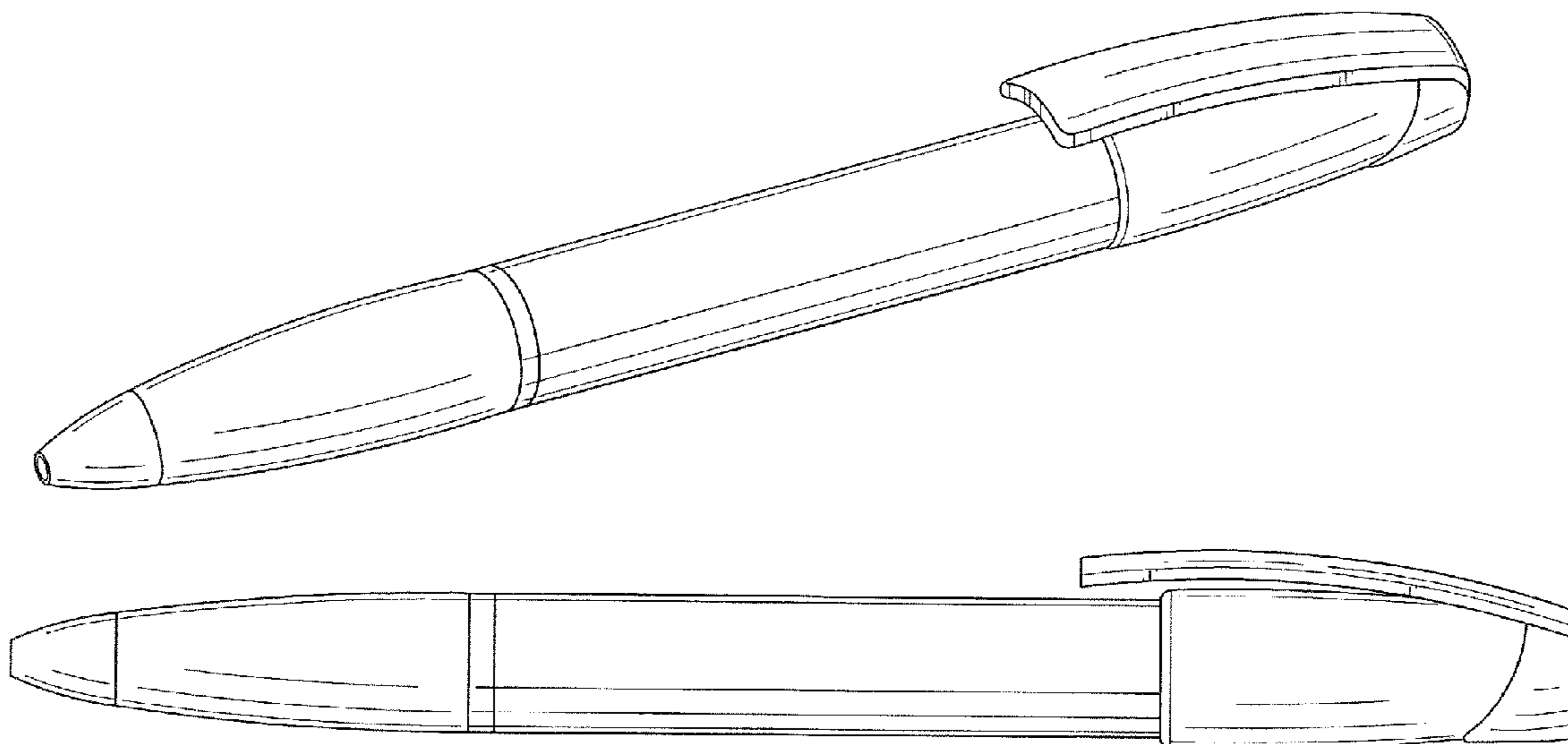
FIG. 6 is a bottom plan view thereof; and,

FIG. 7 is a top plan view thereof.

**1 Claim, 2 Drawing Sheets**

(56) **References Cited**  
U.S. PATENT DOCUMENTS

- D312,096 S \* 11/1990 Vitrac ..... D19/51
- D330,911 S \* 11/1992 Tu ..... D19/51
- D384,105 S \* 9/1997 Robert et al. .... D19/57
- D395,449 S \* 6/1998 Bussiere et al. .... D19/57
- 5,897,266 A \* 4/1999 Robert ..... 401/202
- D423,576 S \* 4/2000 Stevens et al. .... D19/43
- D446,243 S \* 8/2001 Pellissa Beneyto ..... D19/51
- D471,588 S \* 3/2003 Hu ..... D19/43
- D484,188 S \* 12/2003 Cetera ..... D19/51
- D487,776 S \* 3/2004 Keda ..... D19/57



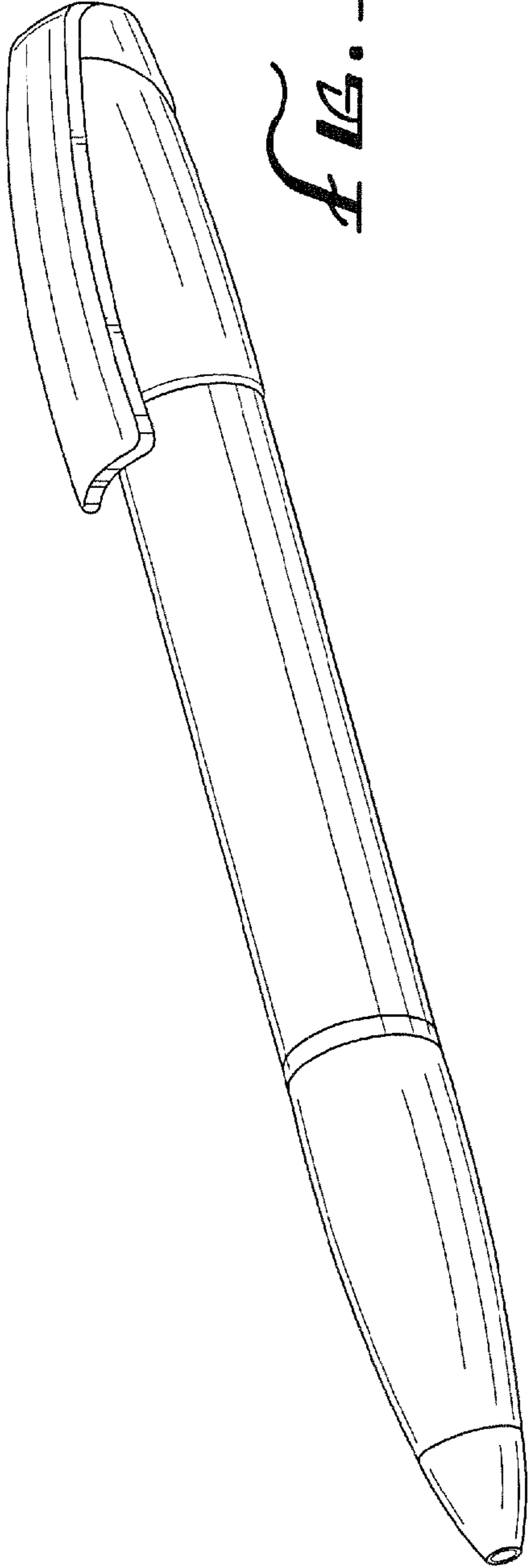


FIG. 1

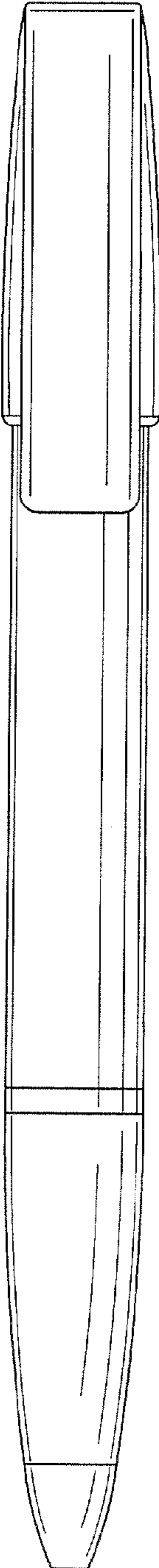


FIG. 2

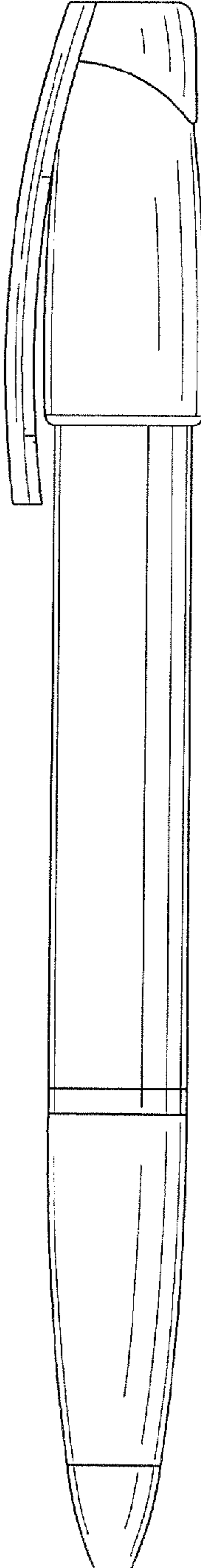


FIG. 3

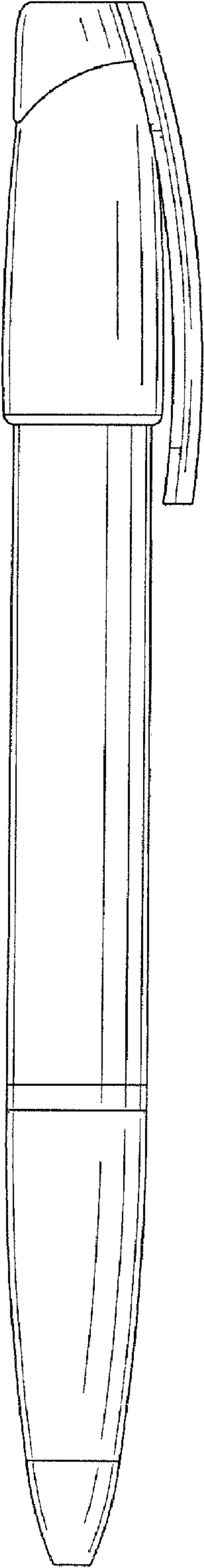


FIG. 4

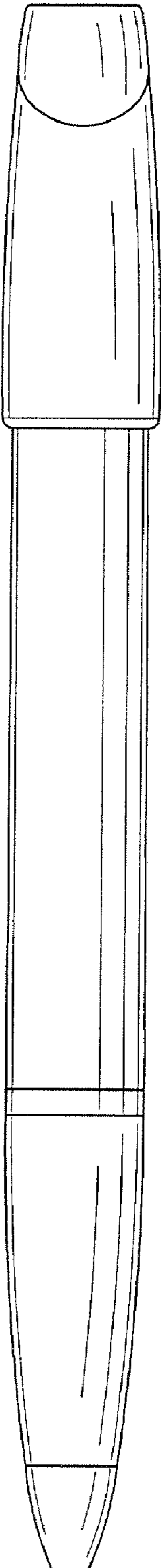


FIG. 5

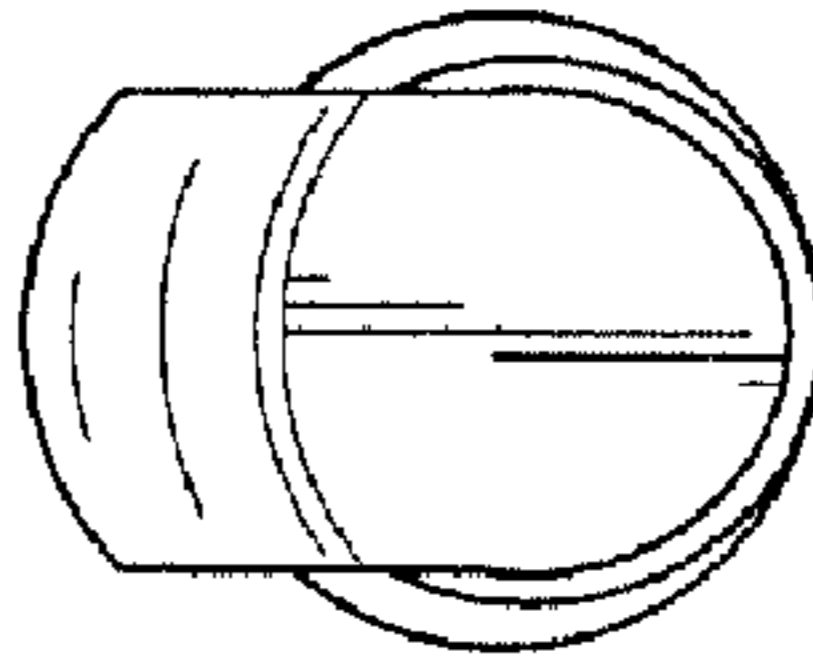


FIG. 6

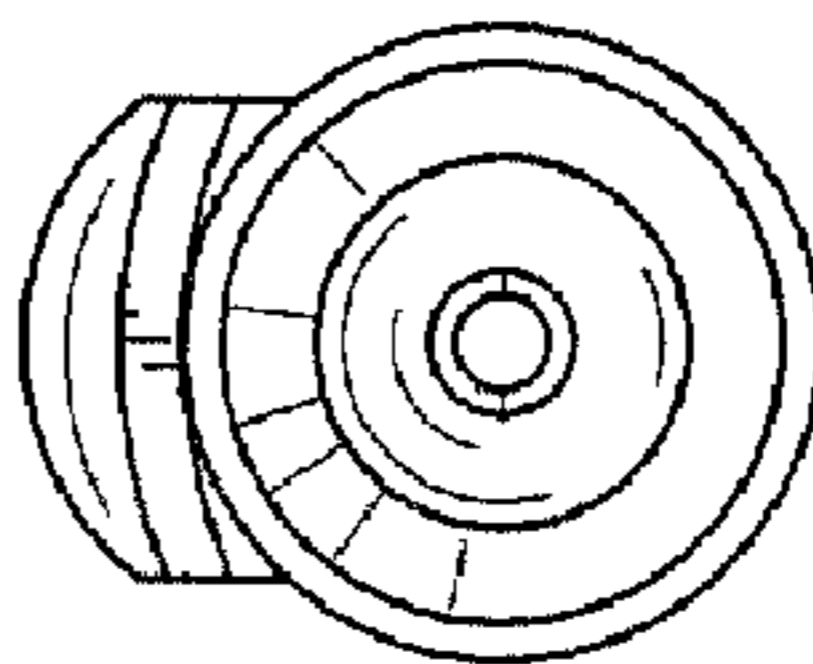


FIG. 7