

US00D565652S

(12) **United States Design Patent**
Farrell

(10) **Patent No.:** **US D565,652 S**

(45) **Date of Patent:** **** Apr. 1, 2008**

(54) **SLIPCOVER INCLUDING HANDLES**

(74) *Attorney, Agent, or Firm*—Fish & Richardson P.C.

(75) **Inventor:** **Patrick L. Farrell**, Orange, TX (US)

(57) **CLAIM**

(73) **Assignee:** **Pollock Investments Incorporated**,
Grand Prairie, TX (US)

The ornamental design for a slipcover including handles, as shown and described.

(**) **Term:** **14 Years**

DESCRIPTION

(21) **Appl. No.:** **29/266,386**

FIG. 1 illustrates a front view of a slipcover including handles.

(22) **Filed:** **Sep. 20, 2006**

FIG. 2 illustrates a left side view of the slipcover, the right side being a mirror image of the left side.

(51) **LOC (8) Cl.** **19-04**

(52) **U.S. Cl.** **D19/26; D9/433**

(58) **Field of Classification Search** D19/32,

D19/65, 27, 26; D3/249, 294, 274, 243,

D3/247, 265, 290; D9/433, 430, 432, 713,

D9/415, 704, 418; 281/29, 38, 31, 27.3;

402/3, 4, 68, 31, 19; 206/424, 448, 472;

D7/607; 294/87.2, 138; 229/117.15, 125.27,

229/120.011, 216; 383/109

See application file for complete search history.

FIG. 3 illustrates a top view of the slipcover, the bottom view being a mirror image of the top.

FIG. 4 illustrates a back view of the slipcover.

FIG. 5 illustrates a front perspective view of the slipcover of FIG. 1, including the environment thereof.

FIG. 6 illustrates a top perspective view of the slipcover of FIG. 1, including the environment thereof.

FIG. 7 illustrates a side view of the slipcover of FIG. 1 including the environment thereof.

FIG. 8 illustrates a back view of a second embodiment of the slipcover of FIG. 1, including the environment thereof; and,

FIG. 9 illustrates a top perspective view of the slipcover illustrated in FIG. 8, including the environment thereof.

Other views of the slipcover of FIGS. 8 and 9 are the same as FIGS. 1–3, 5, and 7.

The broken lines showing environmental structure in FIGS. 5–9 are for illustrative purposes and form no part of the claimed design.

(56) **References Cited**

U.S. PATENT DOCUMENTS

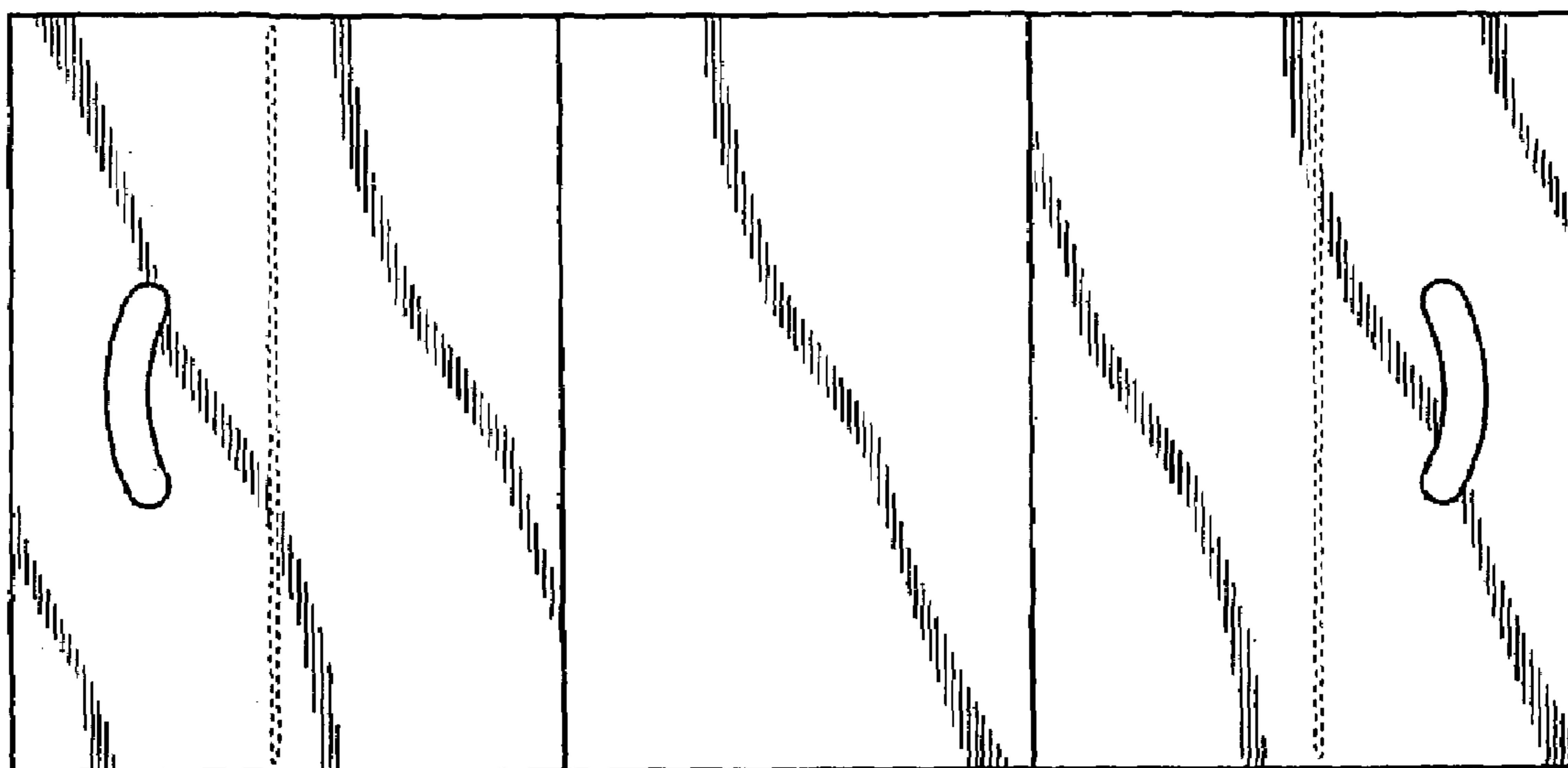
563,762	A *	7/1896	Gallager et al.	281/29
907,477	A *	12/1908	Drees	281/15.1
1,136,598	A	4/1915	Gould		
1,373,136	A	3/1921	Kranz		
1,519,948	A *	12/1924	Zuckerman	281/34

(Continued)

Primary Examiner—Cathron C. Brooks

Assistant Examiner—Austin Murphy

1 Claim, 3 Drawing Sheets



US D565,652 S

Page 2

U.S. PATENT DOCUMENTS

2,410,741 A	11/1946	Lesavoy	5,403,138 A *	4/1995	Otake et al.	412/1
2,514,858 A *	7/1950	Gray	5,427,308 A *	6/1995	Swift et al.	229/125.27
D200,500 S *	3/1965	Schroeder	D367,208 S *	2/1996	McConnell	D7/607
3,339,820 A *	9/1967	Krzyzanowski	D385,187 S *	10/1997	Loft	D9/433
3,568,918 A *	3/1971	Blomqvist	5,769,477 A	6/1998	Lehrer	
D261,076 S *	10/1981	Chernoff	5,876,081 A *	3/1999	Melody et al.	294/27.1
4,403,728 A *	9/1983	Koltz	D434,797 S	12/2000	Meyerhoff	
D271,943 S *	12/1983	Beise et al.	D457,313 S *	5/2002	Clark et al.	D3/276
4,487,319 A *	12/1984	Barrash	D458,125 S *	6/2002	Tachikawa et al.	D9/415
D278,974 S *	5/1985	Ray	D462,987 S	9/2002	Ruscetta et al.	
4,616,851 A *	10/1986	Mann	D484,047 S *	12/2003	Hirschey	D9/433
D293,212 S *	12/1987	Zuliani	6,913,189 B2 *	7/2005	Oliff et al.	229/120.011
4,890,873 A	1/1990	Prada et al.	6,951,432 B1 *	10/2005	Chang et al.	402/73
4,958,759 A	9/1990	Jarvis	D522,054 S	5/2006	Martinez	
5,180,191 A	1/1993	Biba	D526,897 S *	8/2006	Keberlein	D9/433
D349,725 S	8/1994	Roy	2005/0087469 A1 *	4/2005	Carty et al.	206/461

* cited by examiner

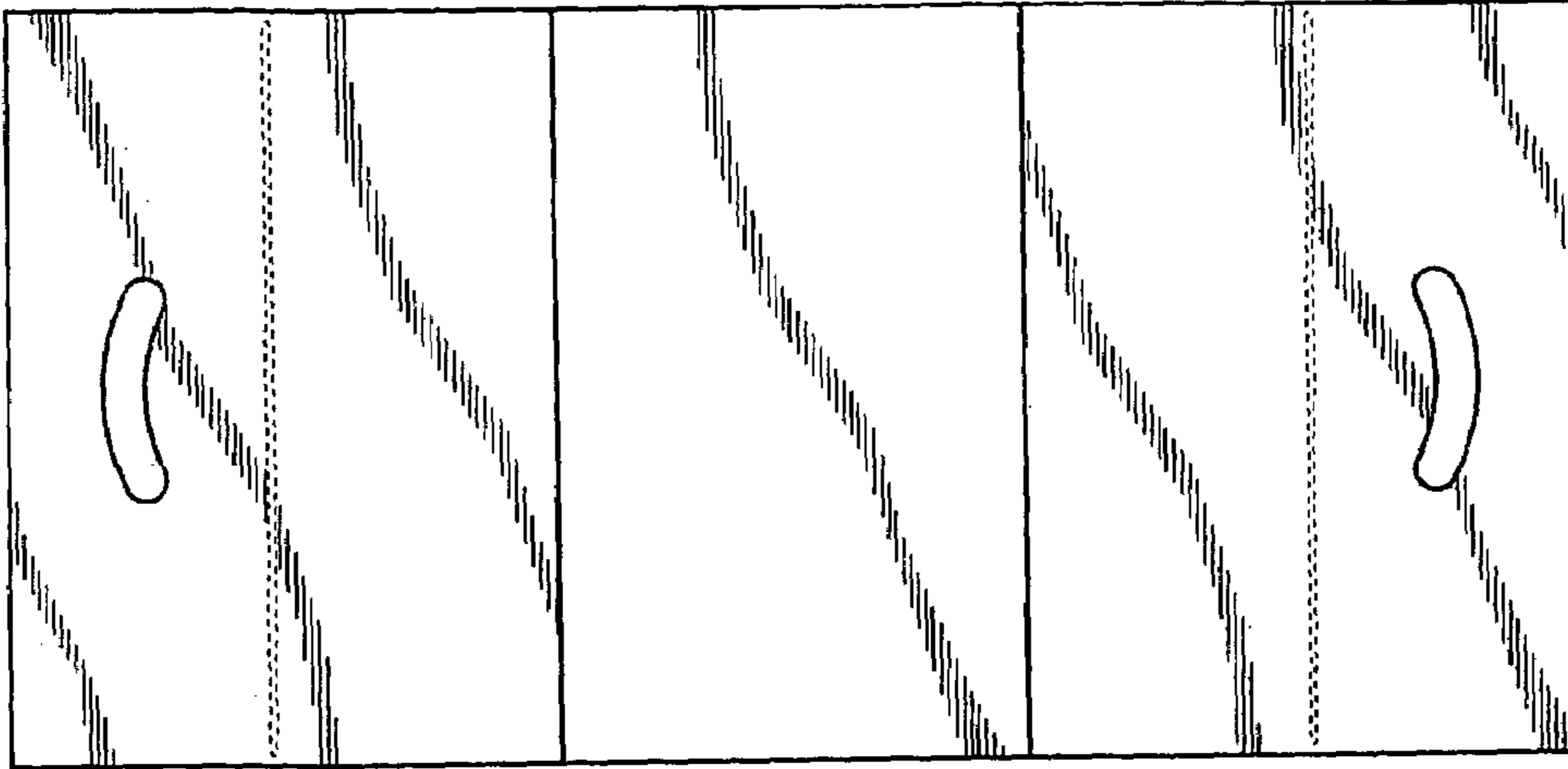


Fig.1

Fig.2



Fig.3

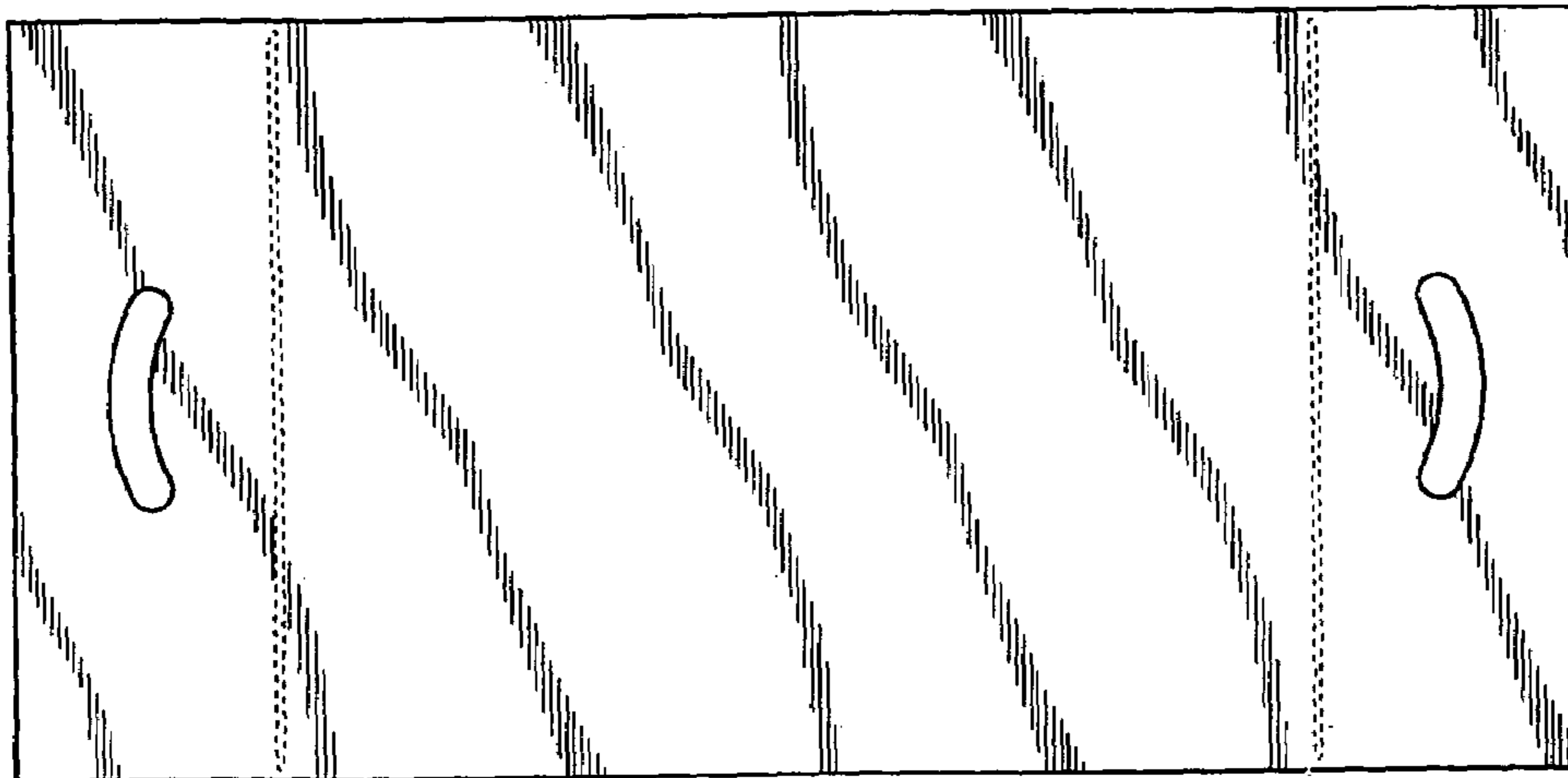


Fig.4

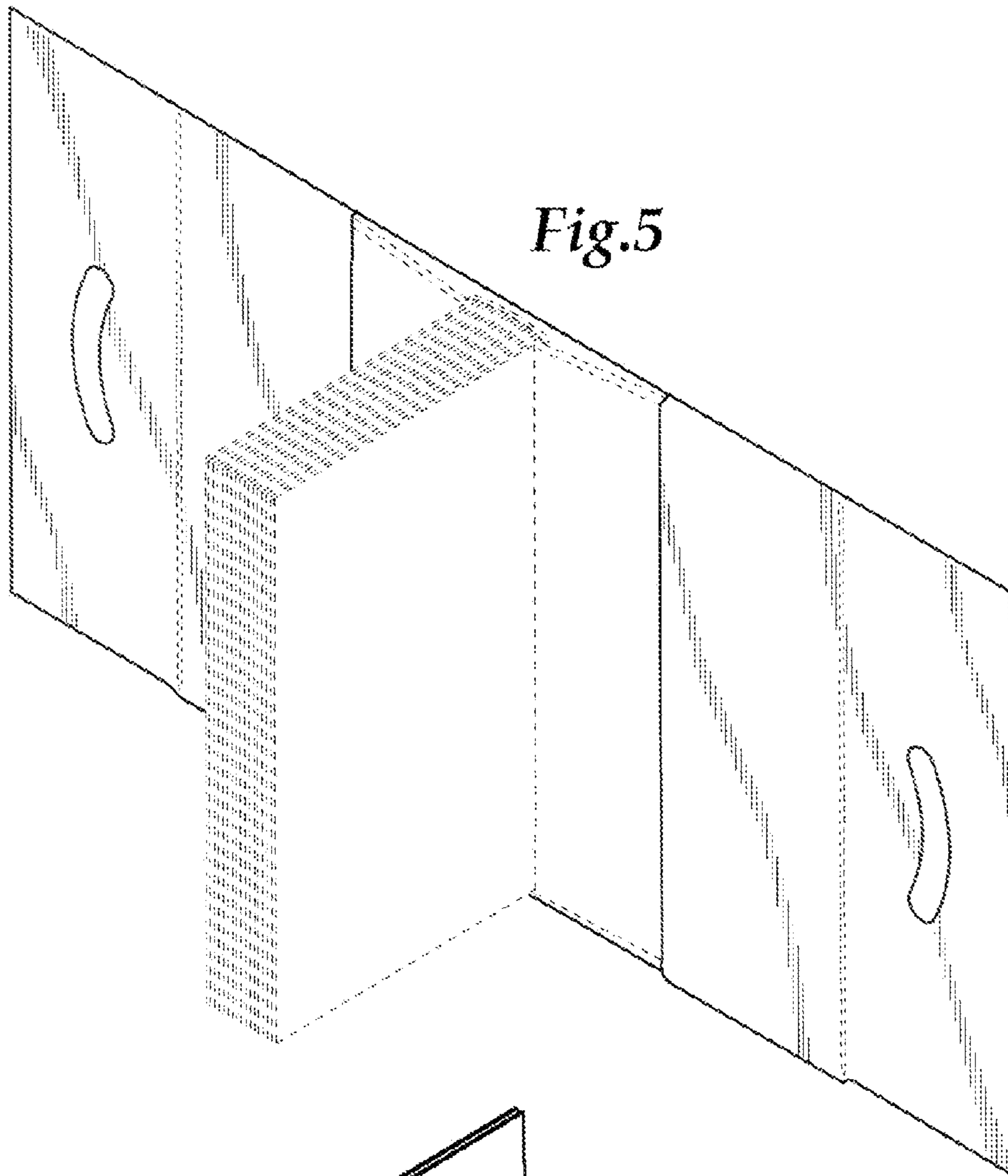


Fig.5

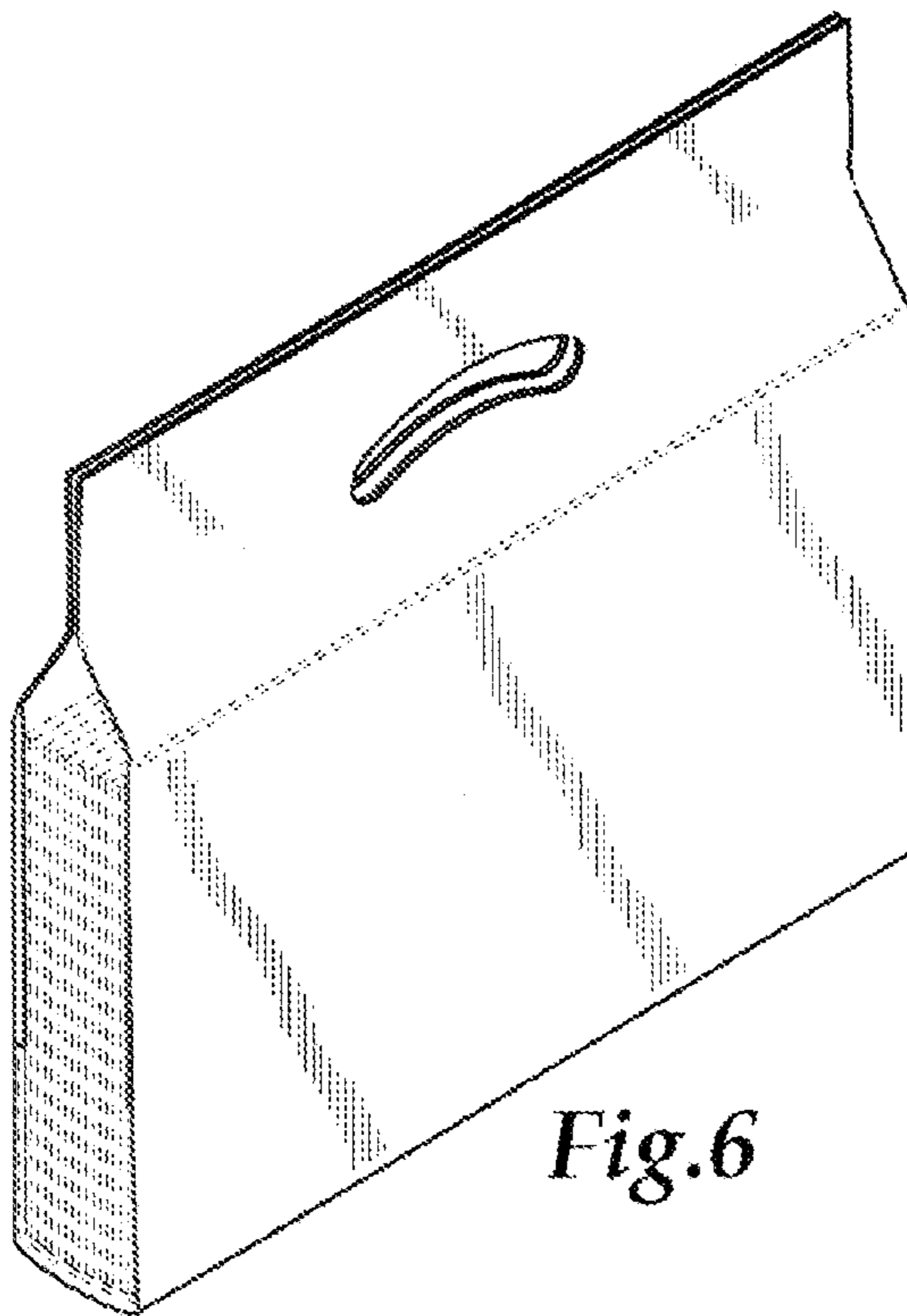


Fig.6

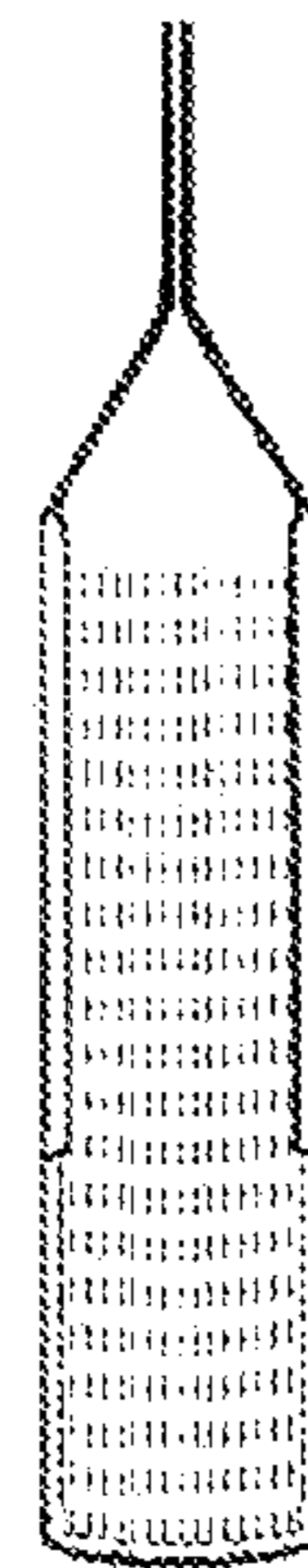


Fig.7

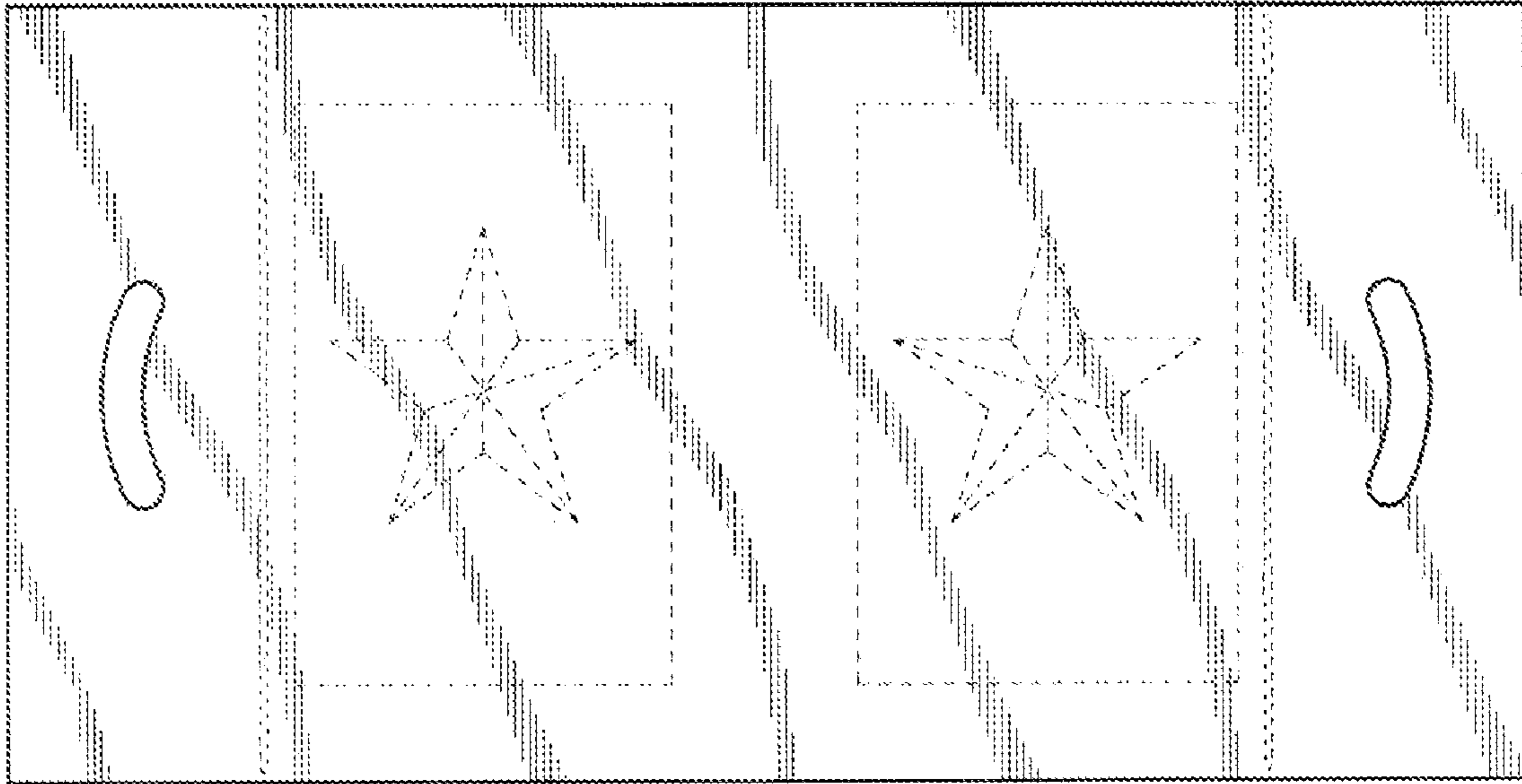


Fig.8

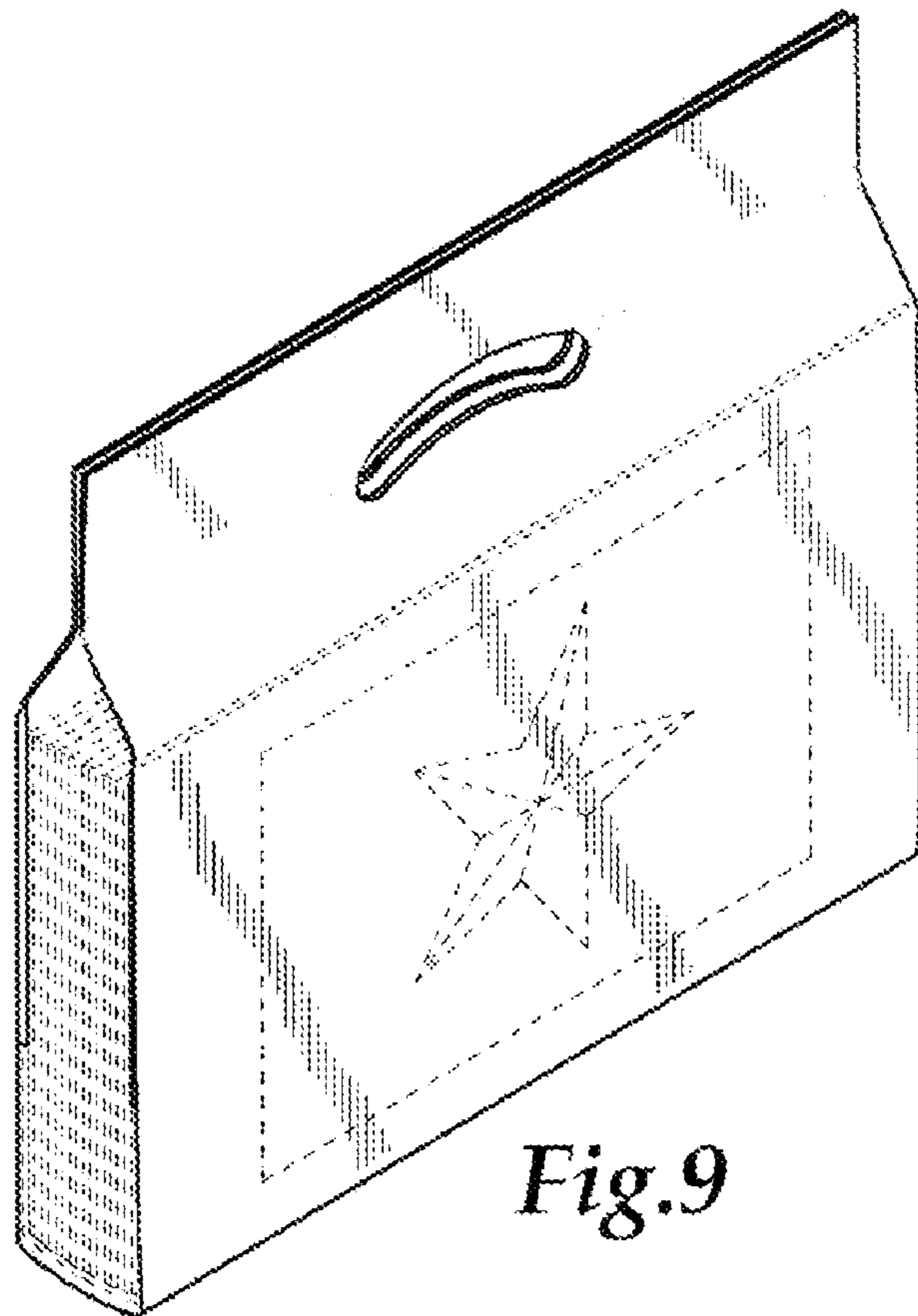


Fig.9

UNITED STATES PATENT AND TRADEMARK OFFICE
CERTIFICATE OF CORRECTION

PATENT NO. : Des. 565,652 S
APPLICATION NO. : 29/266386
DATED : April 1, 2008
INVENTOR(S) : Patrick L. Farrell

Page 1 of 1

It is certified that error appears in the above-identified patent and that said Letters Patent is hereby corrected as shown below:

Title Page

Item (73) Assignee: After "Pollock Investments Incorporated", insert -- d/b/a Pollock Paper Distributors --

Signed and Sealed this

Thirtieth Day of December, 2008

A handwritten signature in black ink that reads "Jon W. Dudas". The signature is written in a cursive style with a large, looped initial "J".

JON W. DUDAS

Director of the United States Patent and Trademark Office