



US00D565651S

(12) **United States Design Patent**
Leman et al.

(10) **Patent No.:** **US D565,651 S**

(45) **Date of Patent:** **** Apr. 1, 2008**

(54) **PRINTER**

(75) Inventors: **Michael V. Leman**, Eagle, ID (US);
Robert W. Luffel, Eagle, ID (US);
David B. Larson, Eagle, ID (US)

(73) Assignee: **Hewlett-Packard Development Company, L.P.**, Houston, TX (US)

(**) Term: **14 Years**

(21) Appl. No.: **29/254,844**

(22) Filed: **Feb. 28, 2006**

(51) **LOC (8) Cl.** **18-02**

(52) **U.S. Cl.** **D18/55**

(58) **Field of Classification Search** D18/56,
D18/55, 50, 4.3, 12.3, 36-41, 43, 44, 46-49,
D18/14, 18, 21, 51, 54, 54.1, 58, 34.1, 34.9,
D18/35, 35.1, 99; D16/246-248; D14/420-425,
D14/462-470; 399/107
See application file for complete search history.

(56) **References Cited**

U.S. PATENT DOCUMENTS

| | | | |
|--------------|--------|-----------------------|---------|
| D377,369 S * | 1/1997 | Kogoh et al. | D18/53 |
| D413,961 S * | 9/1999 | Bassett | D23/209 |
| D488,831 S * | 4/2004 | Whitehorn et al. | D18/50 |
| D491,219 S * | 6/2004 | Shimamura | D18/50 |
| D491,220 S * | 6/2004 | Whitehorn et al. | D18/50 |
| D494,214 S * | 8/2004 | Suzuki | D18/50 |

| | | | |
|--------------|---------|----------------------|---------|
| D499,855 S * | 12/2004 | Ryan et al. | D34/35 |
| D509,040 S * | 8/2005 | Ryan et al. | D34/35 |
| D531,175 S * | 10/2006 | Moskaluk et al. | D14/300 |
| D533,218 S * | 12/2006 | Gant et al. | D18/55 |
| D535,686 S * | 1/2007 | Ishio | D18/39 |
| D537,475 S * | 2/2007 | Miller et al. | D18/49 |

* cited by examiner

Primary Examiner—Robert M. Spear
Assistant Examiner—Anna K Dworzecka

(57) **CLAIM**

We claim the ornamental design for a printer, as shown and described.

DESCRIPTION

FIG. 1 is a top perspective view of a printer showing our new design;

FIG. 2 is a front elevational view thereof;

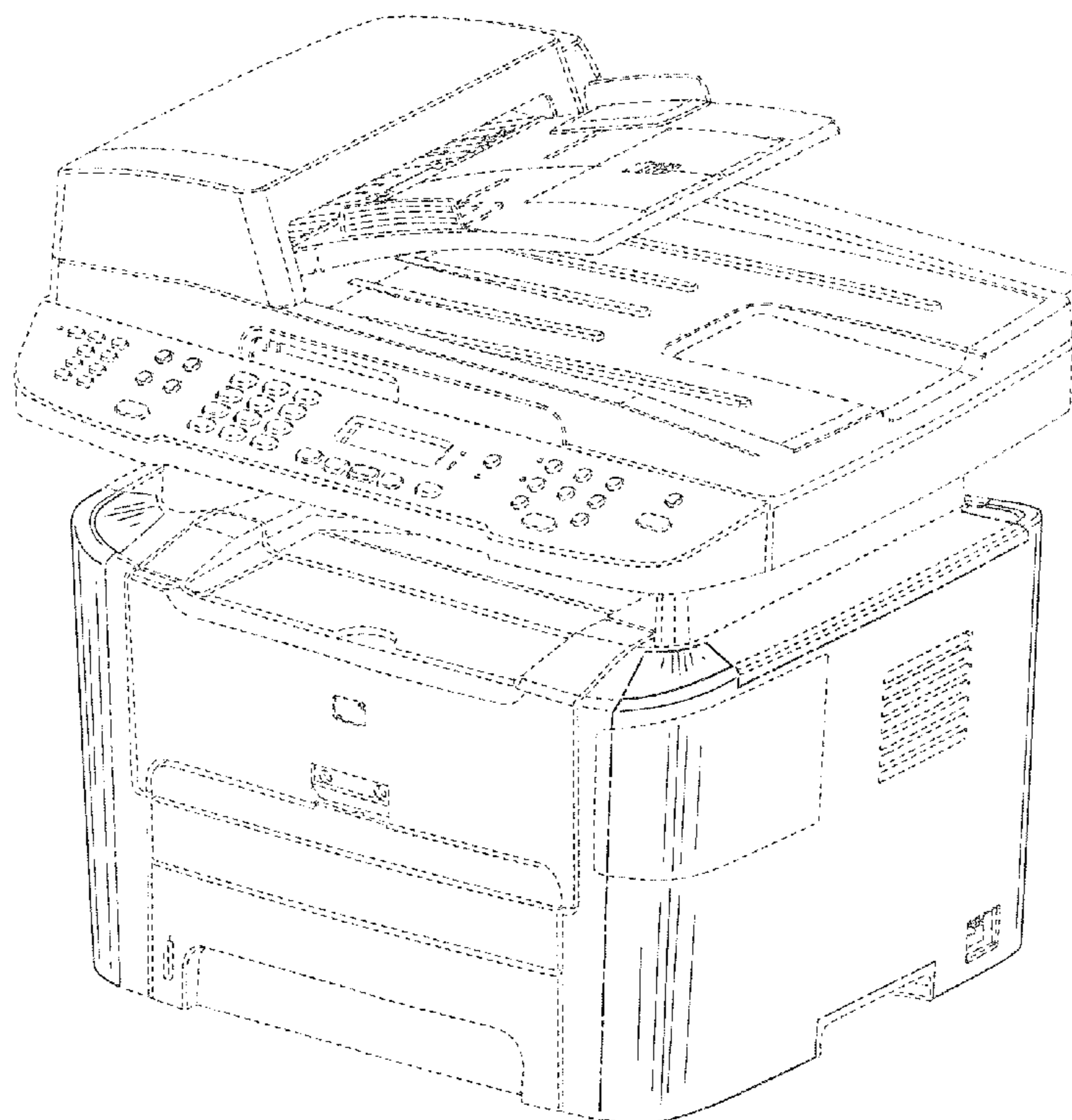
FIG. 3 is a rear elevational view thereof;

FIG. 4 is a left end elevational view thereof; and,

FIG. 5 is a right end elevational view thereof.

The contour broken lines are shown in dash dash format, are for illustrative purposes only and form no part of the claimed design. The broken lines which define the bounds of the claimed design are illustrated in long dash short dash format and form no part thereof.

1 Claim, 5 Drawing Sheets



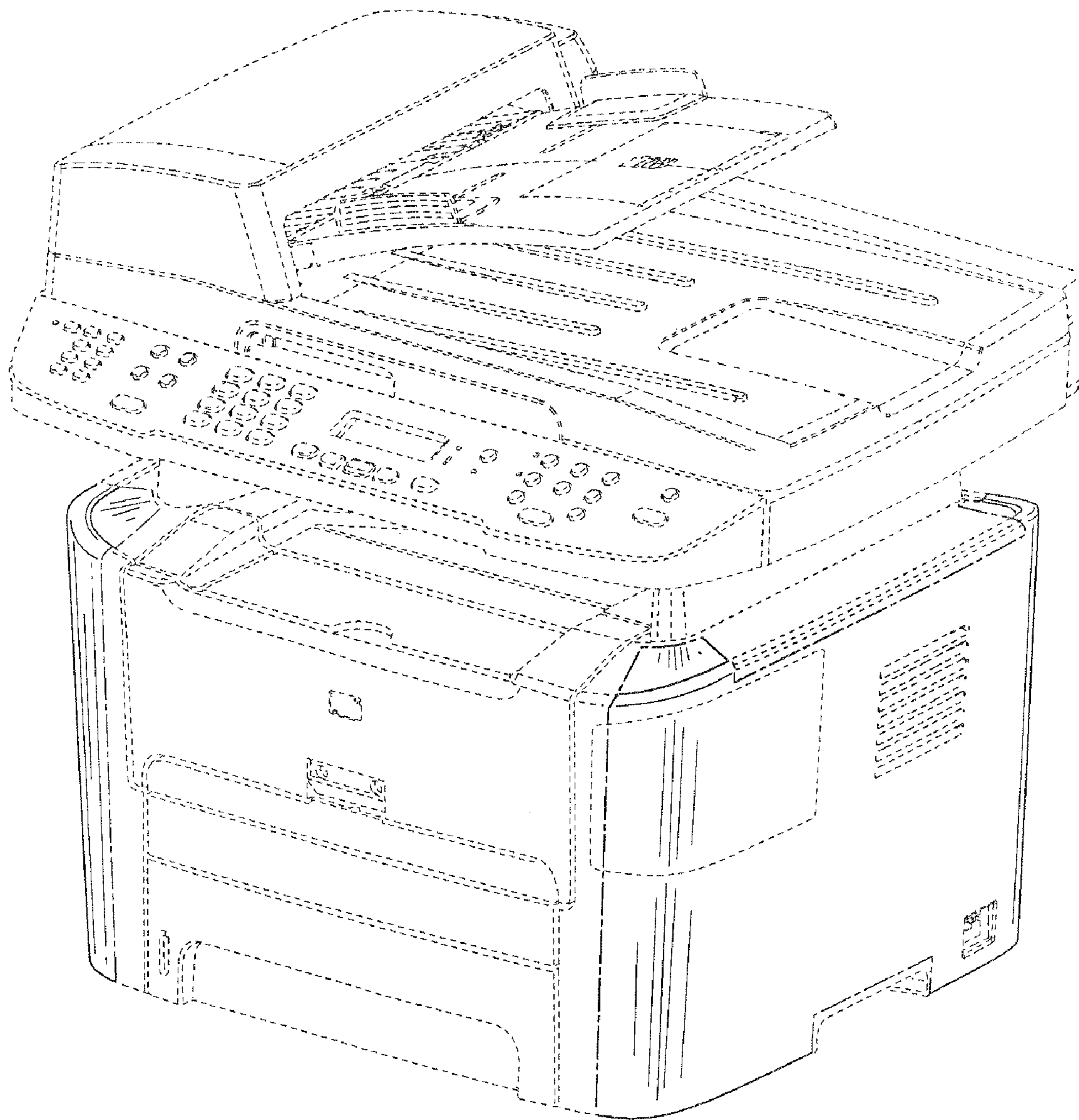


FIG. 1

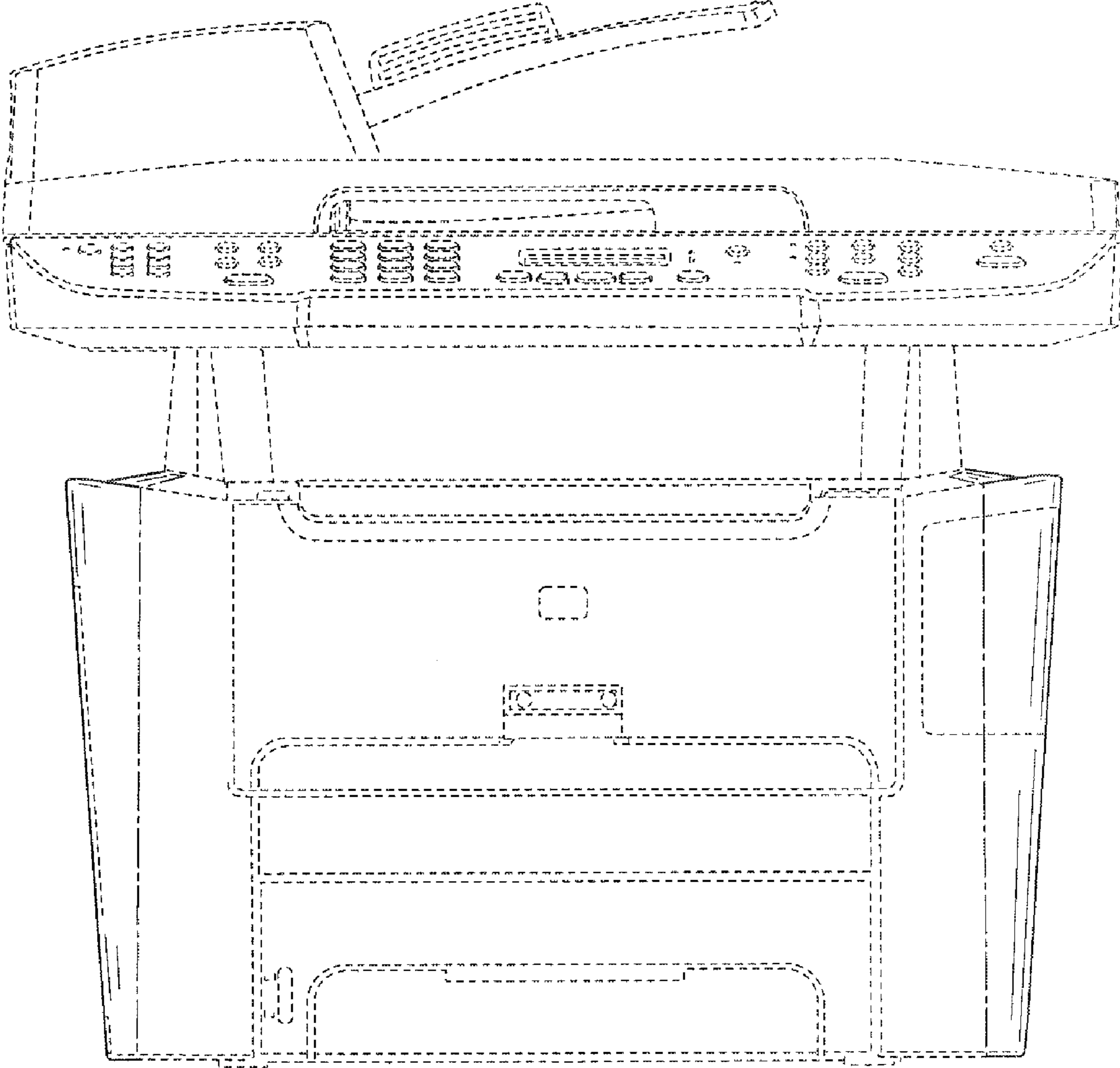


FIG. 2

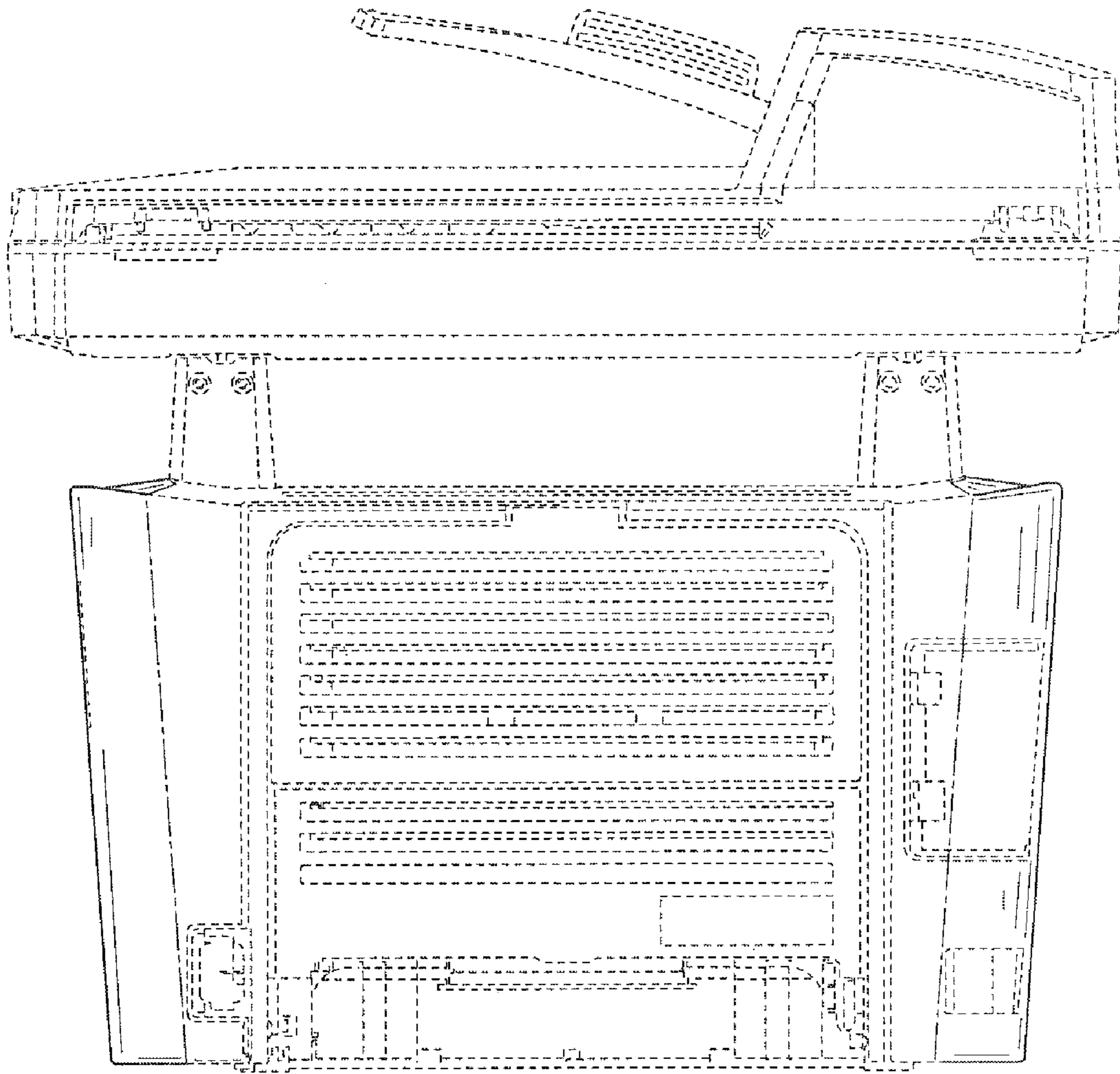


FIG. 3

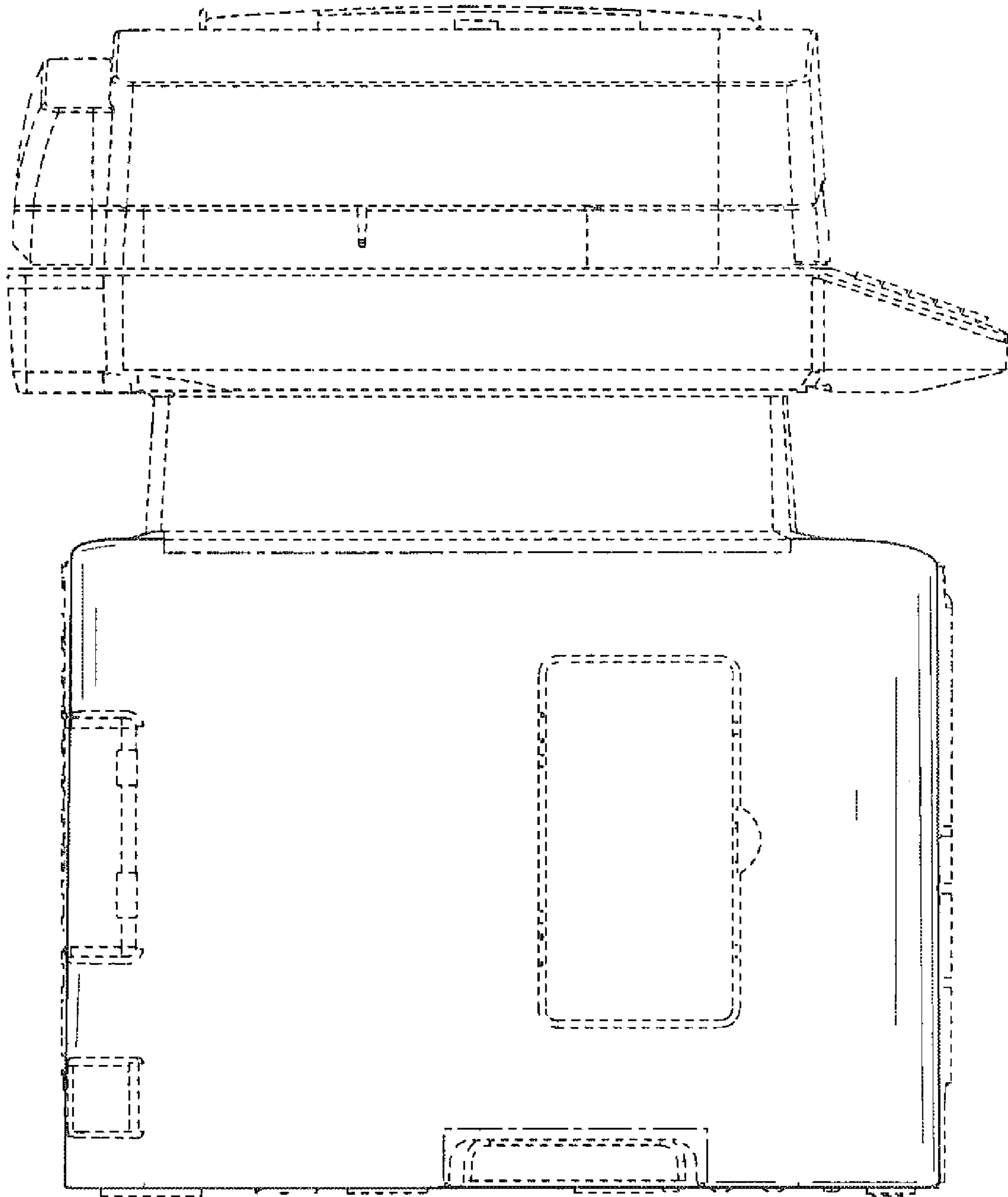


FIG. 4

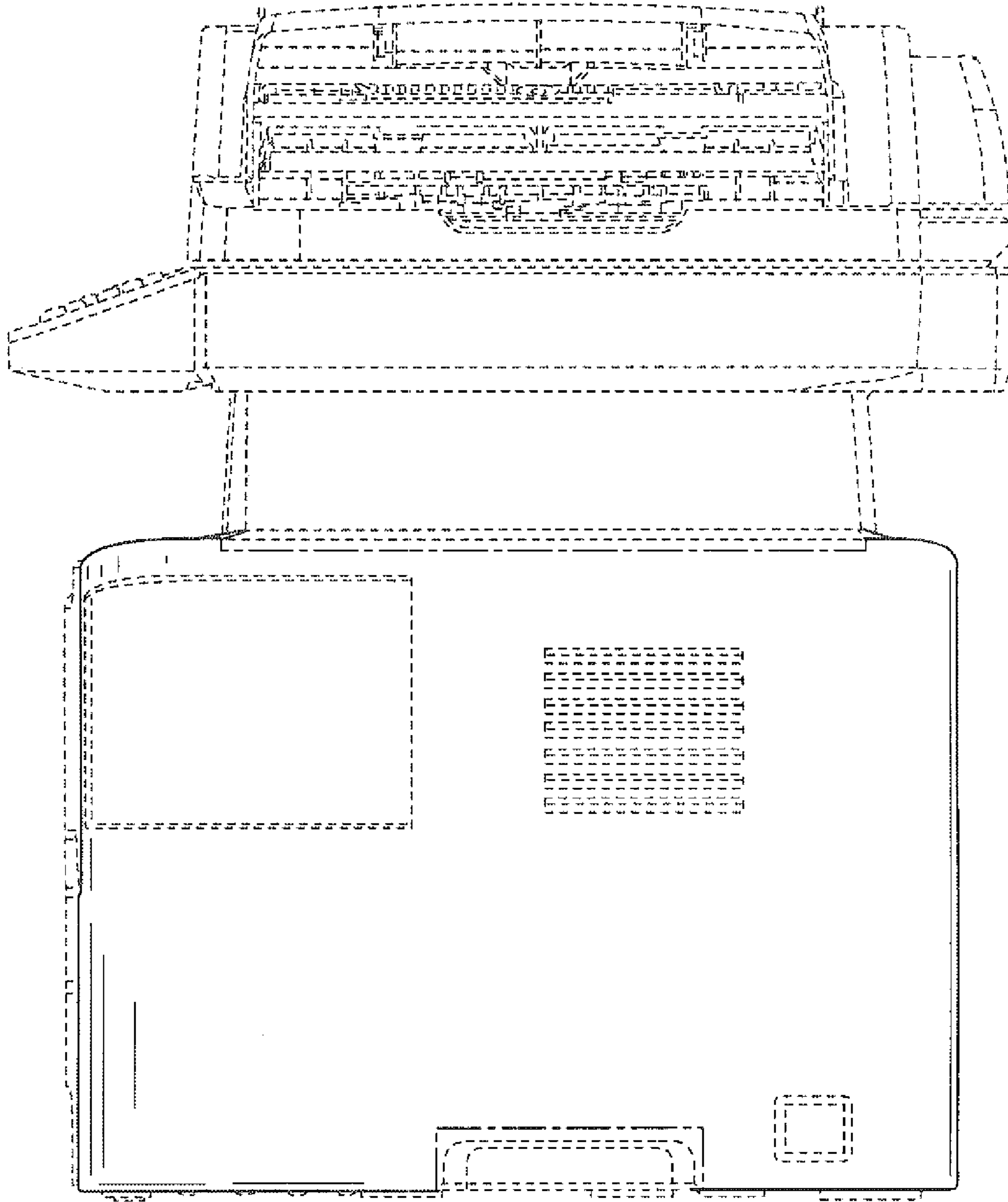


FIG. 5