



US00D565649S

(12) **United States Design Patent**
Hoshiya et al.

(10) **Patent No.:** **US D565,649 S**

(45) **Date of Patent:** **** Apr. 1, 2008**

(54) **PAPER FEED AND DISCHARGE PORTION OF A PRINTER**

(75) Inventors: **Kazuhiro Hoshiya**, Shizuoka (JP);
Shigeharu Katayama, Kakamigahara (JP);
Nobuyuki Iwai, Aichi-ken (JP)

(73) Assignee: **Brother Industries, Ltd.**, Nagoya (JP)

(**) Term: **14 Years**

(21) Appl. No.: **29/261,338**

(22) Filed: **Jun. 13, 2006**

(30) **Foreign Application Priority Data**

Dec. 13, 2005 (JP) 2005-036717

(51) **LOC (8) Cl.** **18-02**

(52) **U.S. Cl.** **D18/50; D18/56**

(58) **Field of Classification Search** D18/36-39,
D18/50, 54, 54.1, 55; D14/420-425, 462-470;
400/613, 613.1-613.4, 690.1-690.4, 691-694;
D6/475-476, 512; D19/75, 90-92
See application file for complete search history.

(56) **References Cited**

U.S. PATENT DOCUMENTS

3,439,861	A *	4/1969	Olson	229/185
3,455,462	A *	7/1969	Morgan	211/42
3,727,823	A *	4/1973	Sullivan	206/449
5,092,688	A *	3/1992	Haennelt et al.	400/613
5,224,608	A *	7/1993	Paquette	211/46
5,615,960	A *	4/1997	Mori et al.	400/613
6,132,122	A *	10/2000	Robinson et al.	400/691

D461,843	S *	8/2002	Hattori et al.	D18/50
D494,215	S *	8/2004	Evers	D18/55
D502,966	S *	3/2005	çakir et al.	D19/90
D529,543	S *	10/2006	Fukunaga et al.	D18/50
7,163,286	B2 *	1/2007	Shiraiwa et al.	400/692
7,195,411	B2 *	3/2007	Matsuo et al.	400/693
2003/0214779	A1 *	11/2003	Socolofsky	361/683

* cited by examiner

Primary Examiner—Cathy Anne MacCormac
(74) *Attorney, Agent, or Firm*—Oliff & Berridge, PLC

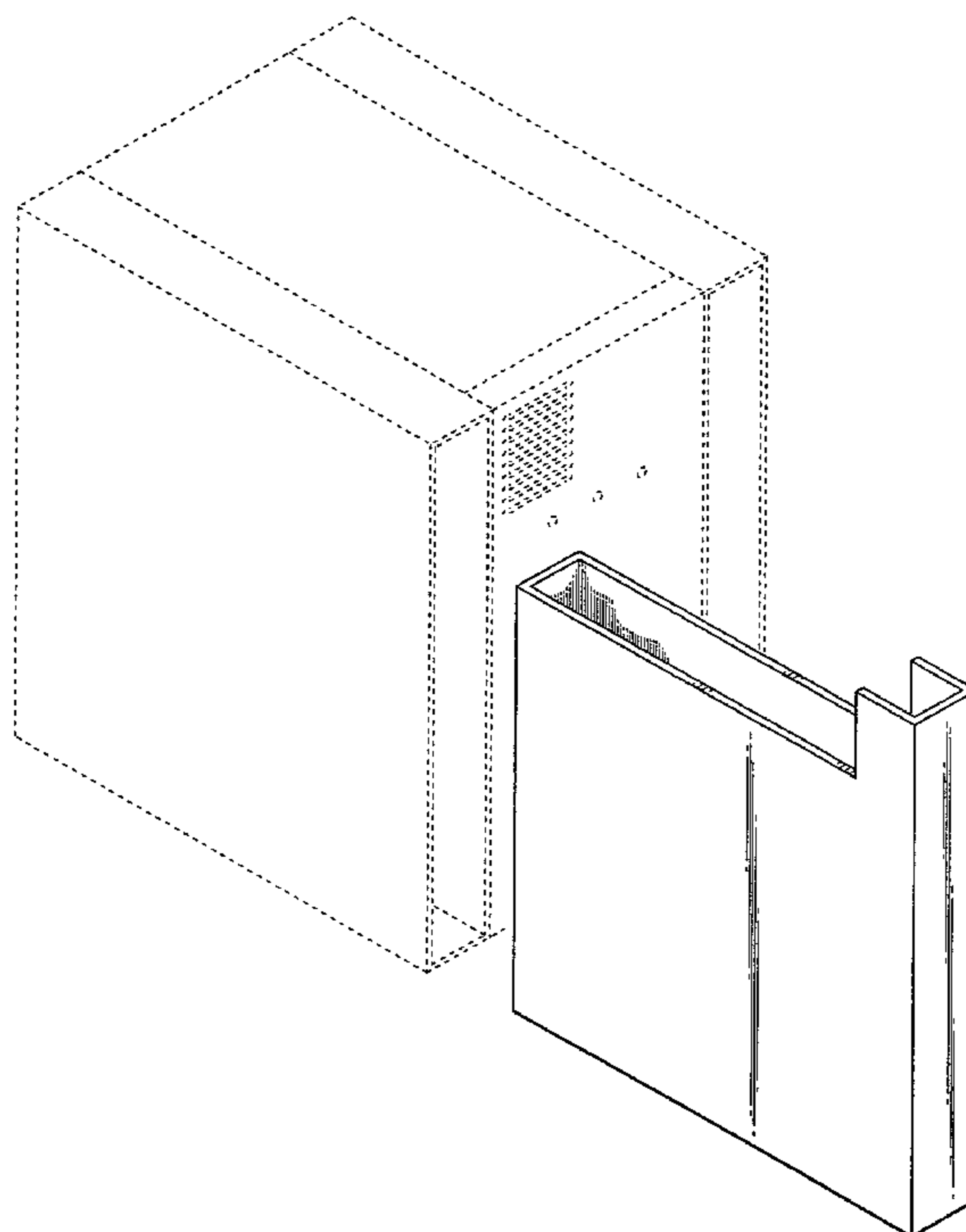
(57) **CLAIM**

The ornamental design for a paper feed and discharge portion of a printer, as shown and described.

DESCRIPTION

FIG. 1 is a perspective view of a paper feed and discharge portion of a printer;
FIG. 2 is a front view thereof;
FIG. 3 is a top view thereof;
FIG. 4 is a right-side view thereof;
FIG. 5 is a left-side view thereof;
FIG. 6 is a rear view thereof;
FIG. 7 is a bottom view thereof; and,
FIG. 8 is a reduced perspective view of the paper feed and discharge portion of a printer withdrawn from a printer.
The broken lines are for illustrative purposes only and form no part of the claimed design.

1 Claim, 6 Drawing Sheets



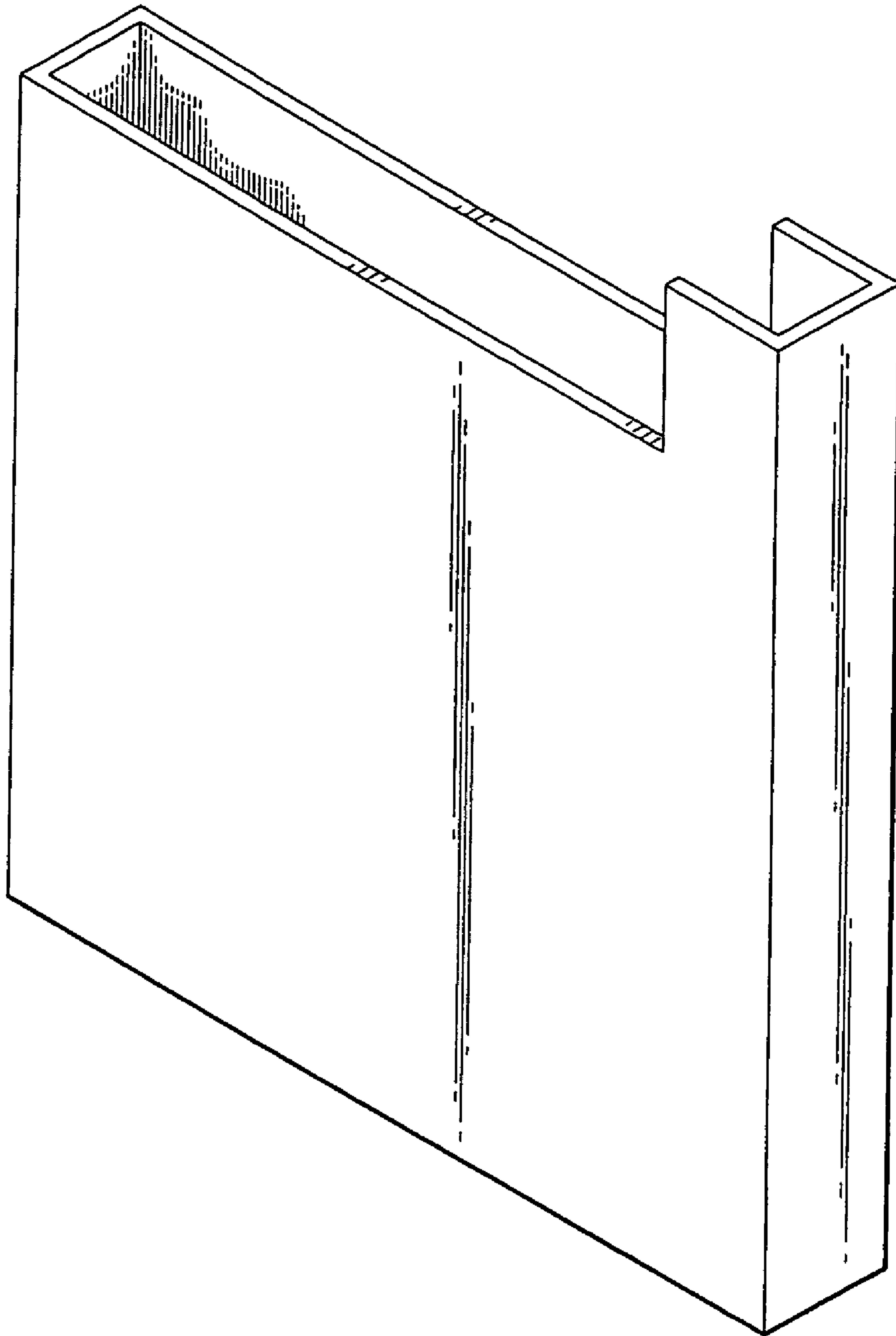


FIG. 1

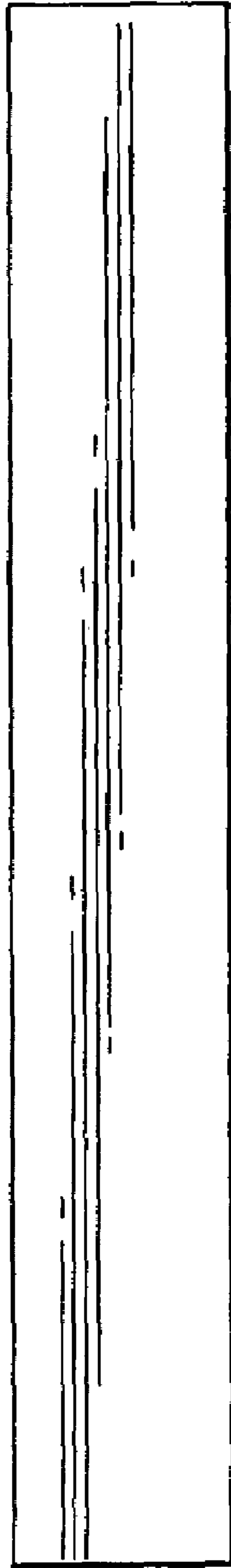


FIG. 2

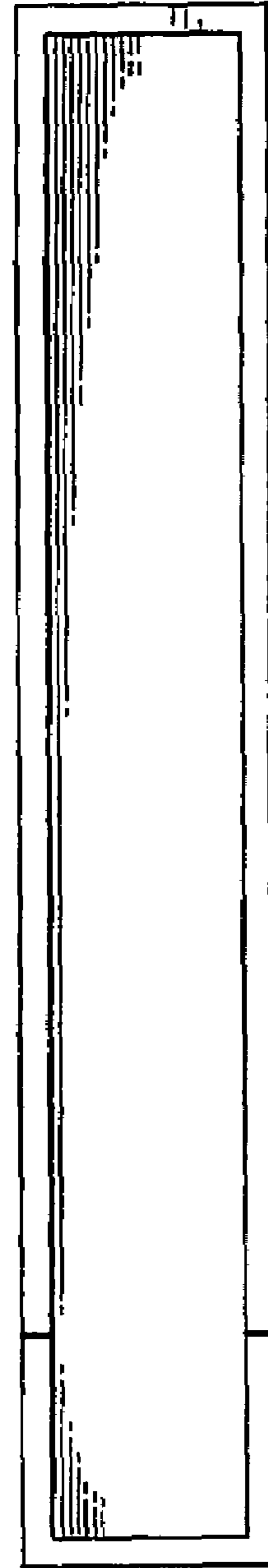


FIG. 3

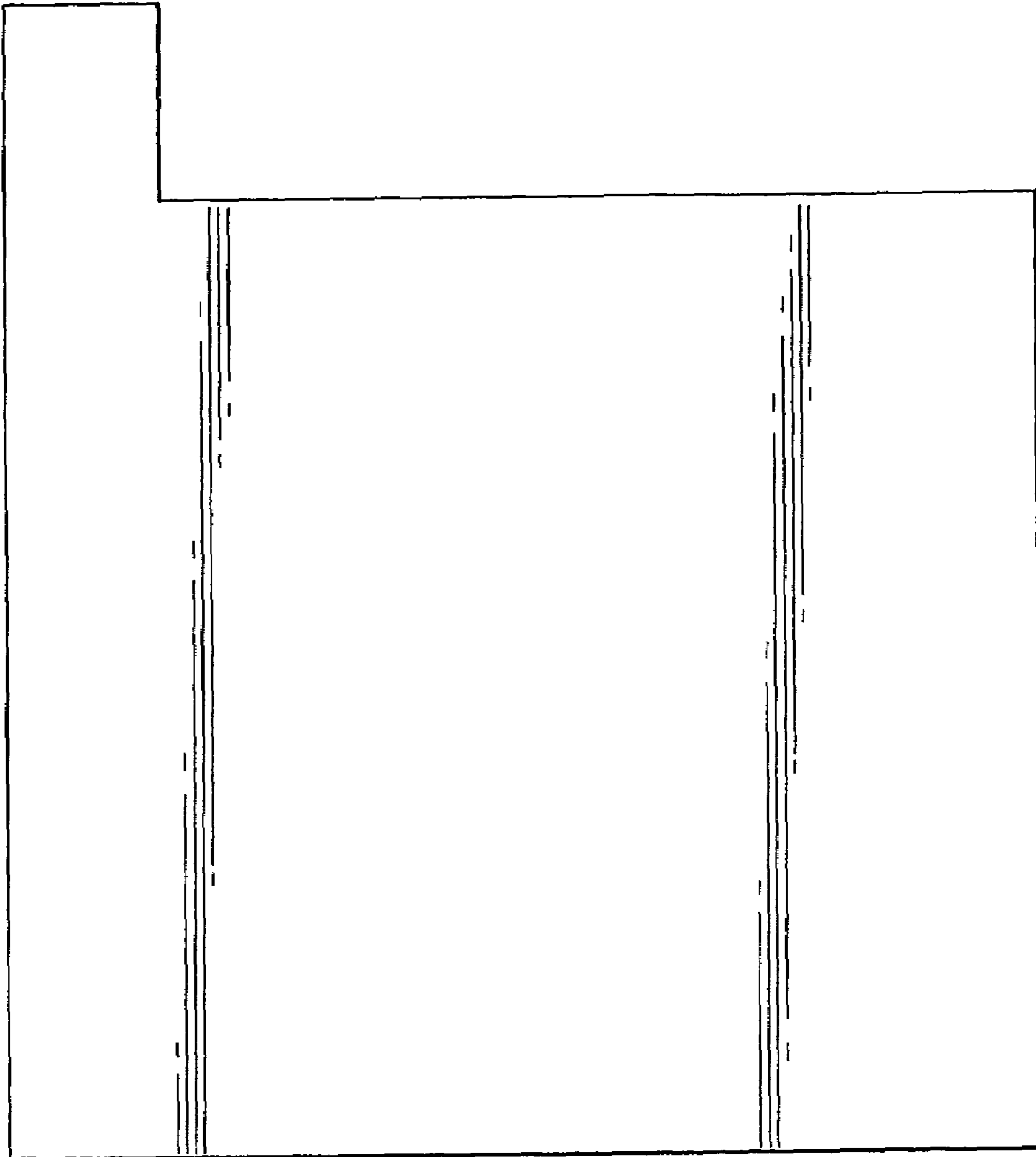


FIG. 4



FIG. 5



FIG. 6

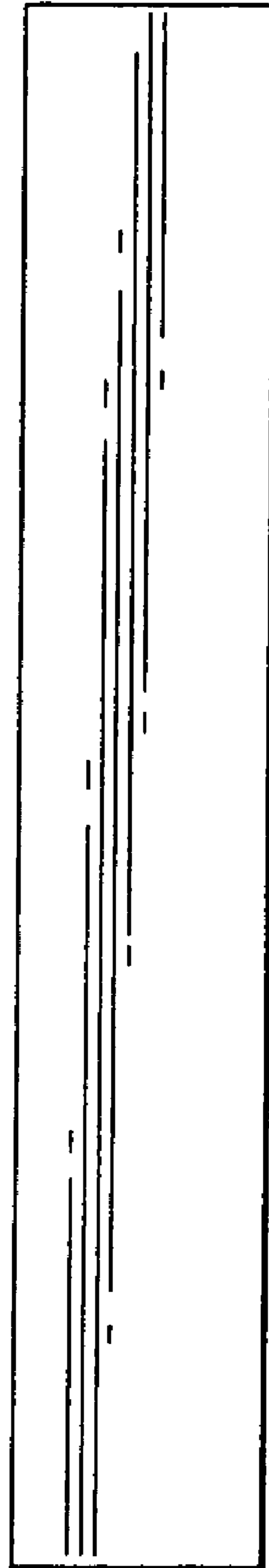


FIG. 7

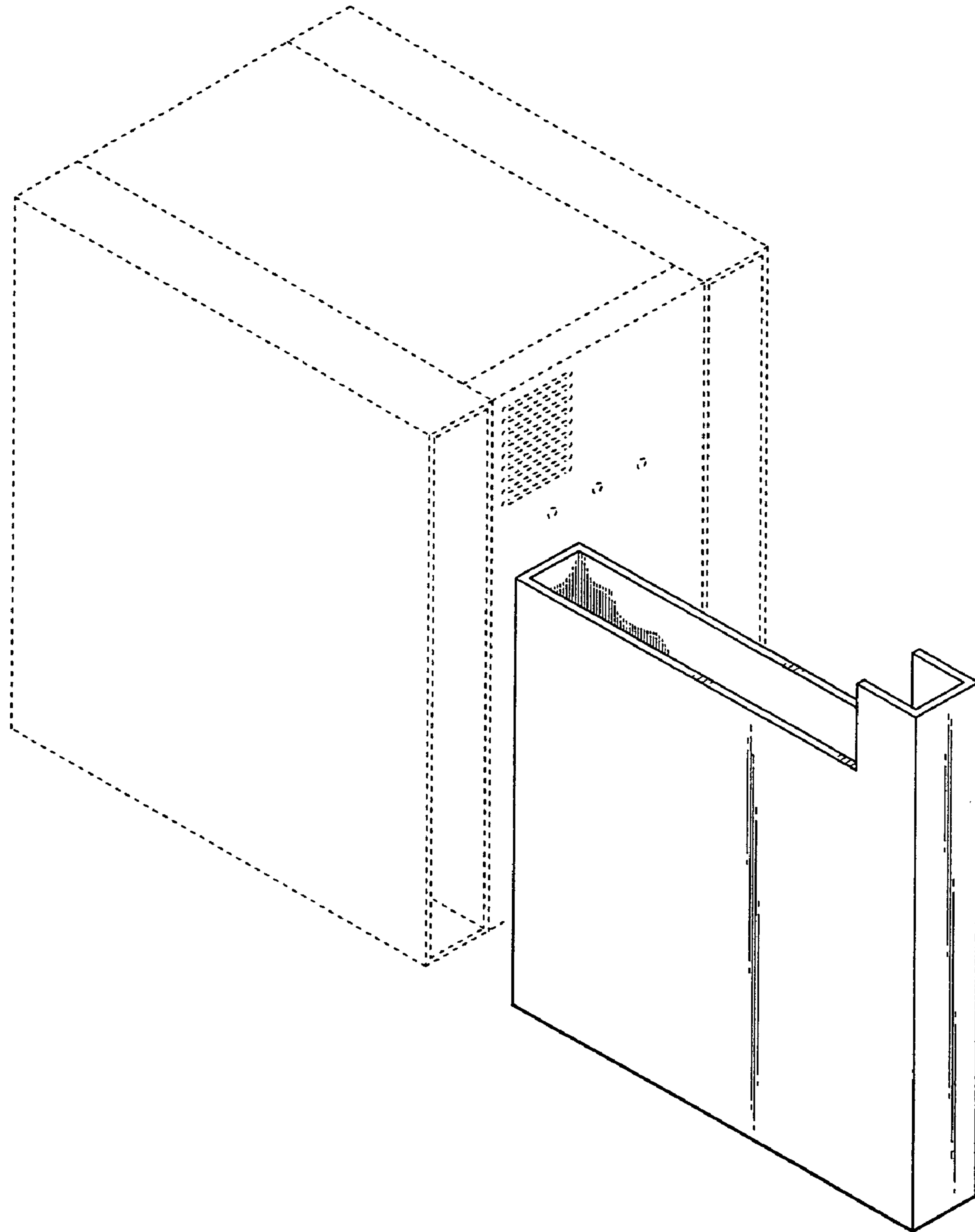


FIG. 8