

US00D565648S

(12) **United States Design Patent**  
**Egami**

(10) **Patent No.:** **US D565,648 S**

(45) **Date of Patent:** **\*\* Apr. 1, 2008**

(54) **PRINTER**

(75) Inventor: **Keiichiro Egami**, Nagoya (JP)

(73) Assignee: **Brother Industries, Ltd.**, Nagoya (JP)

(\*\*) Term: **14 Years**

(21) Appl. No.: **29/261,333**

(22) Filed: **Jun. 13, 2006**

(30) **Foreign Application Priority Data**

Dec. 13, 2005 (JP) ..... 2005-036713

(51) **LOC (8) Cl.** ..... **18-02**

(52) **U.S. Cl.** ..... **D18/50**

(58) **Field of Classification Search** ..... D18/36-39,  
D18/50, 54, 54.1, 55; D14/420-425, 462-470,  
D14/348, 356-361, 364; 400/613, 613.1-613.4,  
400/690.1-690.4, 691-694  
See application file for complete search history.

(56) **References Cited**

**U.S. PATENT DOCUMENTS**

- 197,833 A \* 12/1877 Deming ..... 400/690.1
- 3,334,719 A \* 8/1967 Howard ..... 400/691
- 3,476,210 A \* 11/1969 Carlson ..... 400/690.2
- D263,956 S \* 4/1982 Cunningham et al. .... D14/472
- 4,645,275 A \* 2/1987 Pucci ..... 400/690
- 5,056,331 A \* 10/1991 Lotz ..... 62/237

- D322,274 S \* 12/1991 Tokuda et al. .... D18/54
- D334,556 S \* 4/1993 Bolden et al. .... D14/364
- 5,281,018 A \* 1/1994 Cullinan ..... 312/223.2
- D422,572 S \* 4/2000 Oura et al. .... D14/364
- D483,803 S \* 12/2003 Funato ..... D18/39
- D497,941 S \* 11/2004 Antunes ..... D18/50
- 7,207,737 B2 \* 4/2007 Bhatia et al. .... 400/693
- D548,278 S \* 8/2007 Wood et al. .... D18/50

\* cited by examiner

*Primary Examiner*—Cathy Anne MacCormac

(74) *Attorney, Agent, or Firm*—Oliff & Berridge, PLC

(57) **CLAIM**

The ornamental design for a printer, as shown and described.

**DESCRIPTION**

FIG. 1 is a perspective view of a printer;

FIG. 2 is a front view thereof;

FIG. 3 is a top view thereof;

FIG. 4 is a right-side view thereof;

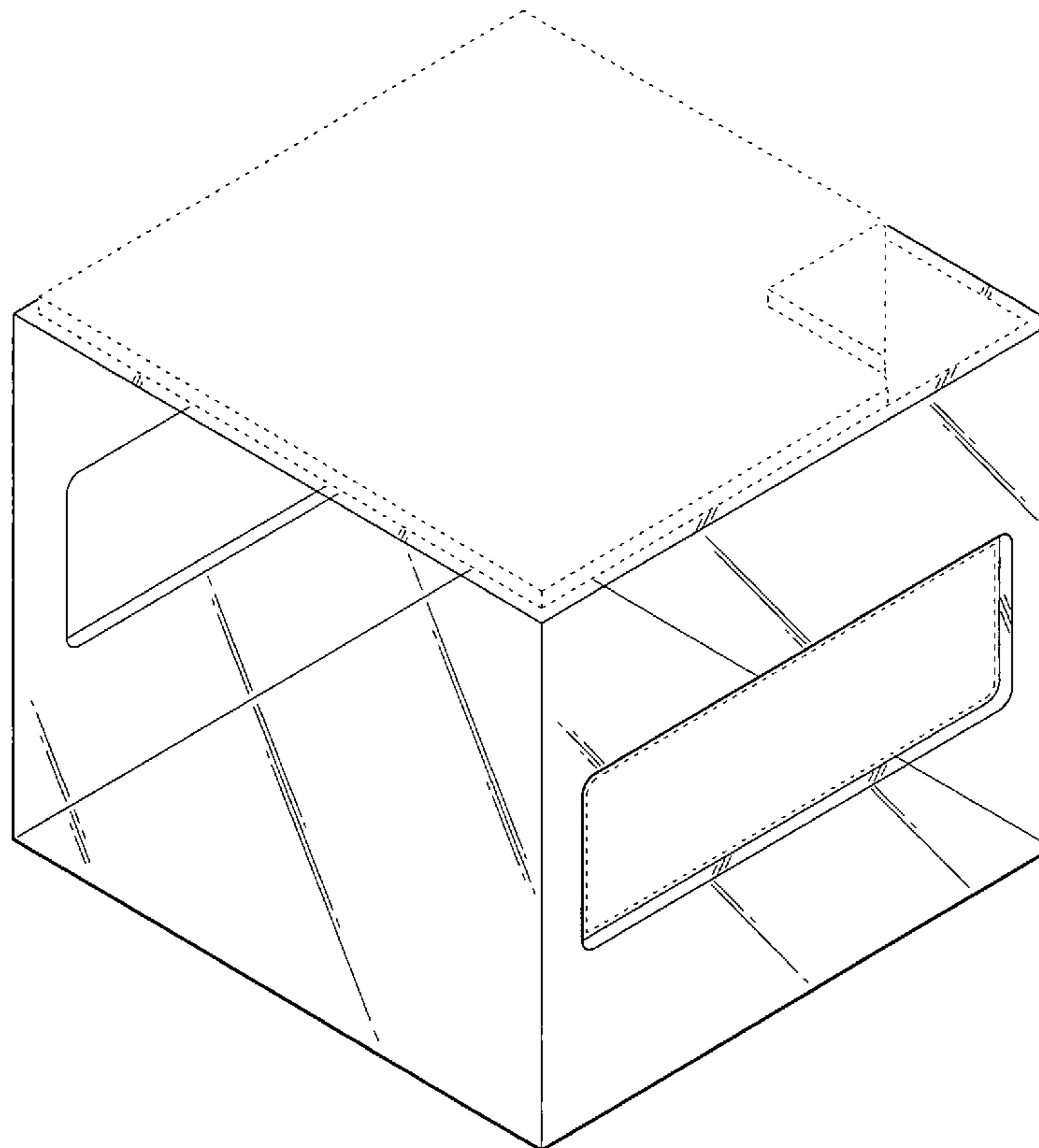
FIG. 5 is a left-side view thereof;

FIG. 6 is a rear view thereof; and,

FIG. 7 is a bottom view thereof.

The broken lines are for illustrative purposes only and form no part of the claimed design.

**1 Claim, 4 Drawing Sheets**



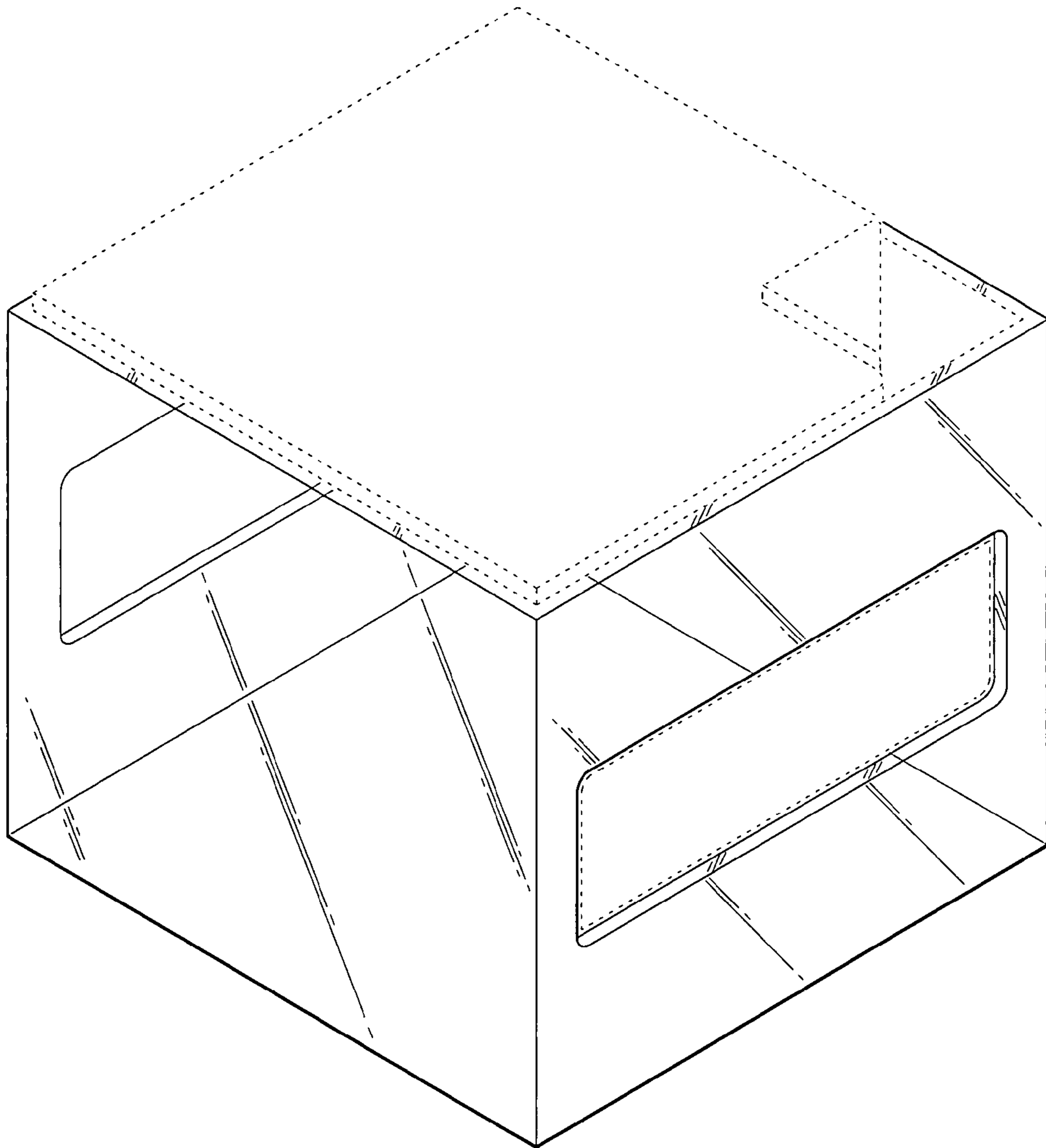


FIG. 1

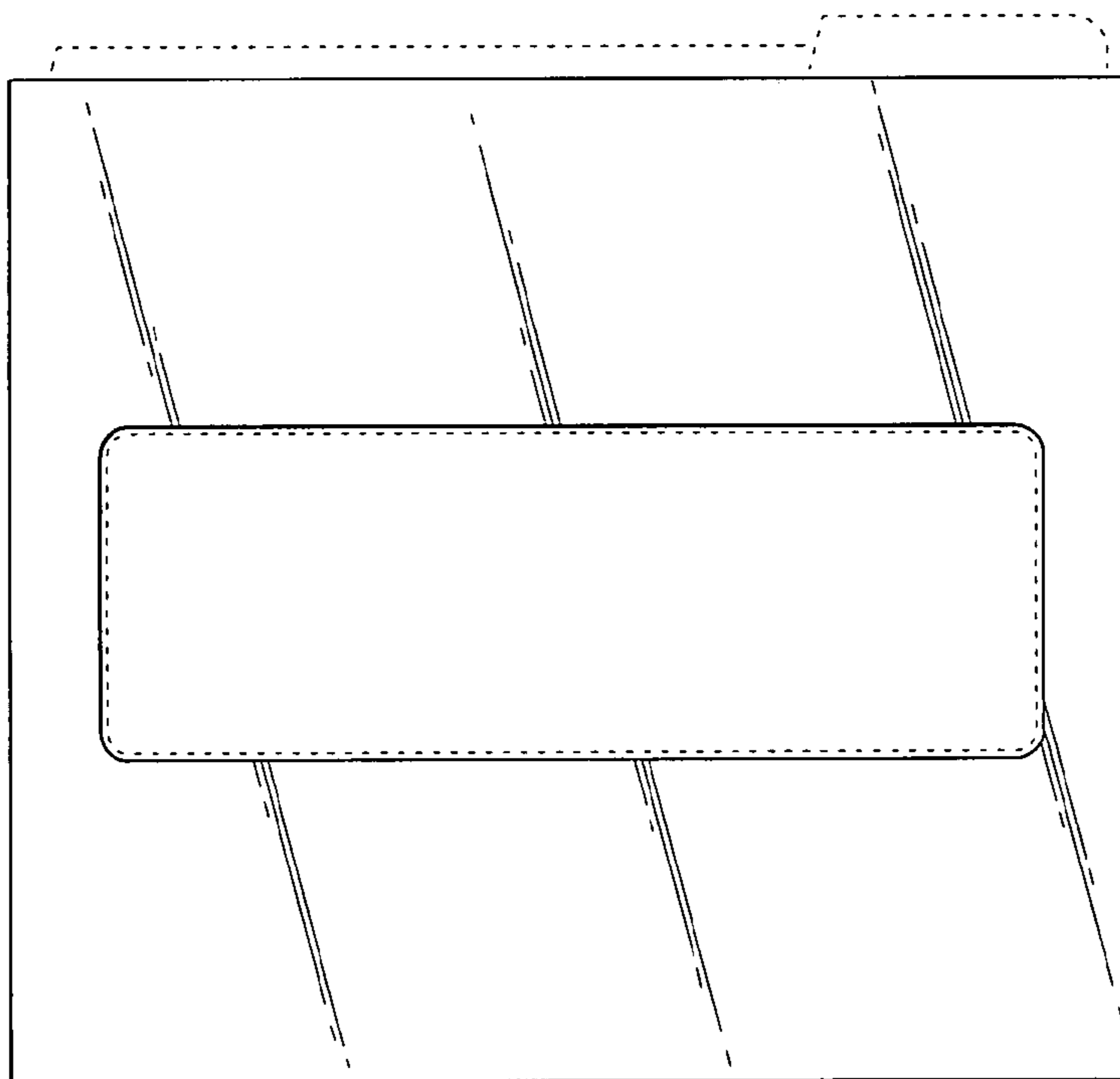


FIG. 2

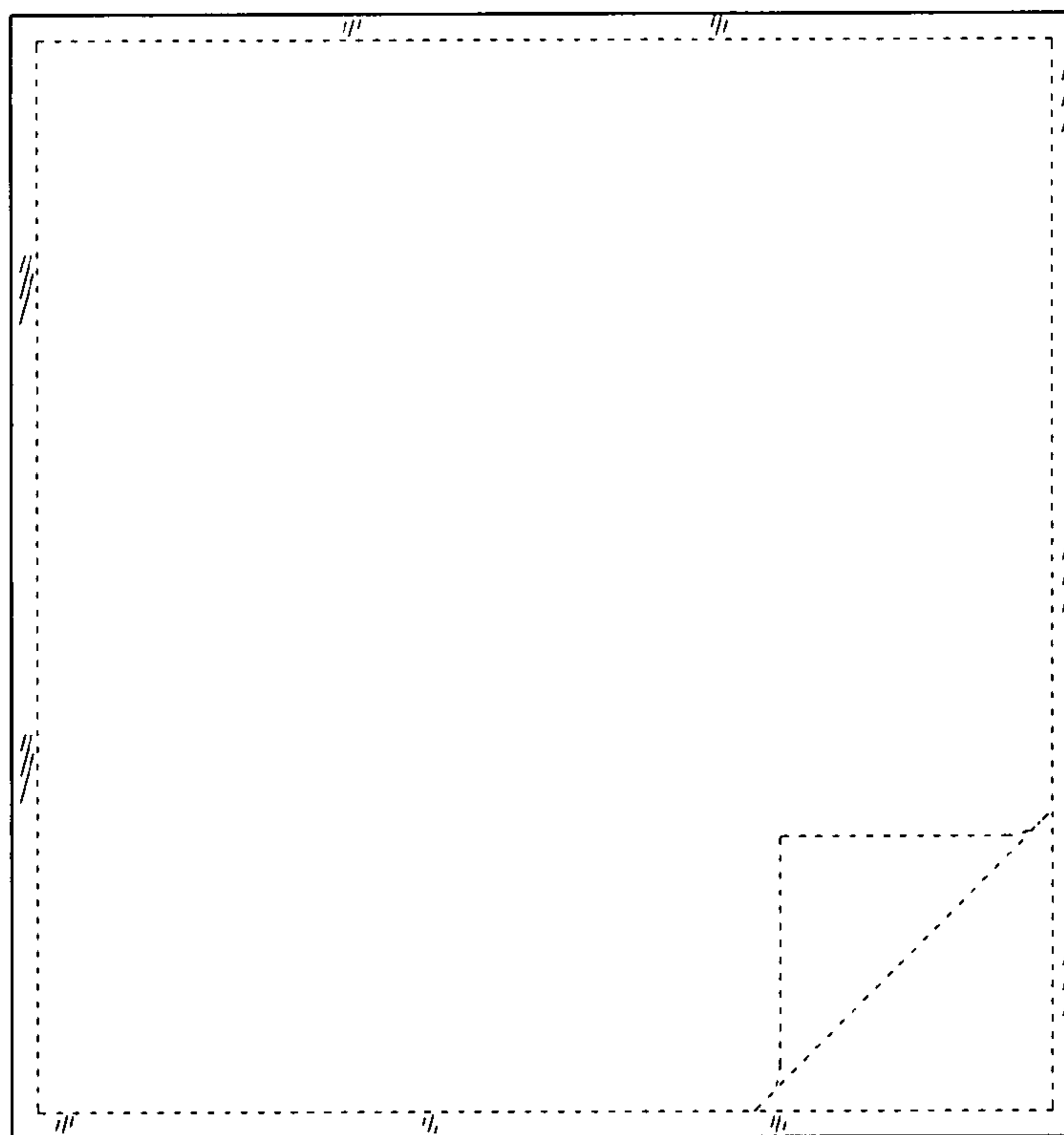


FIG. 3

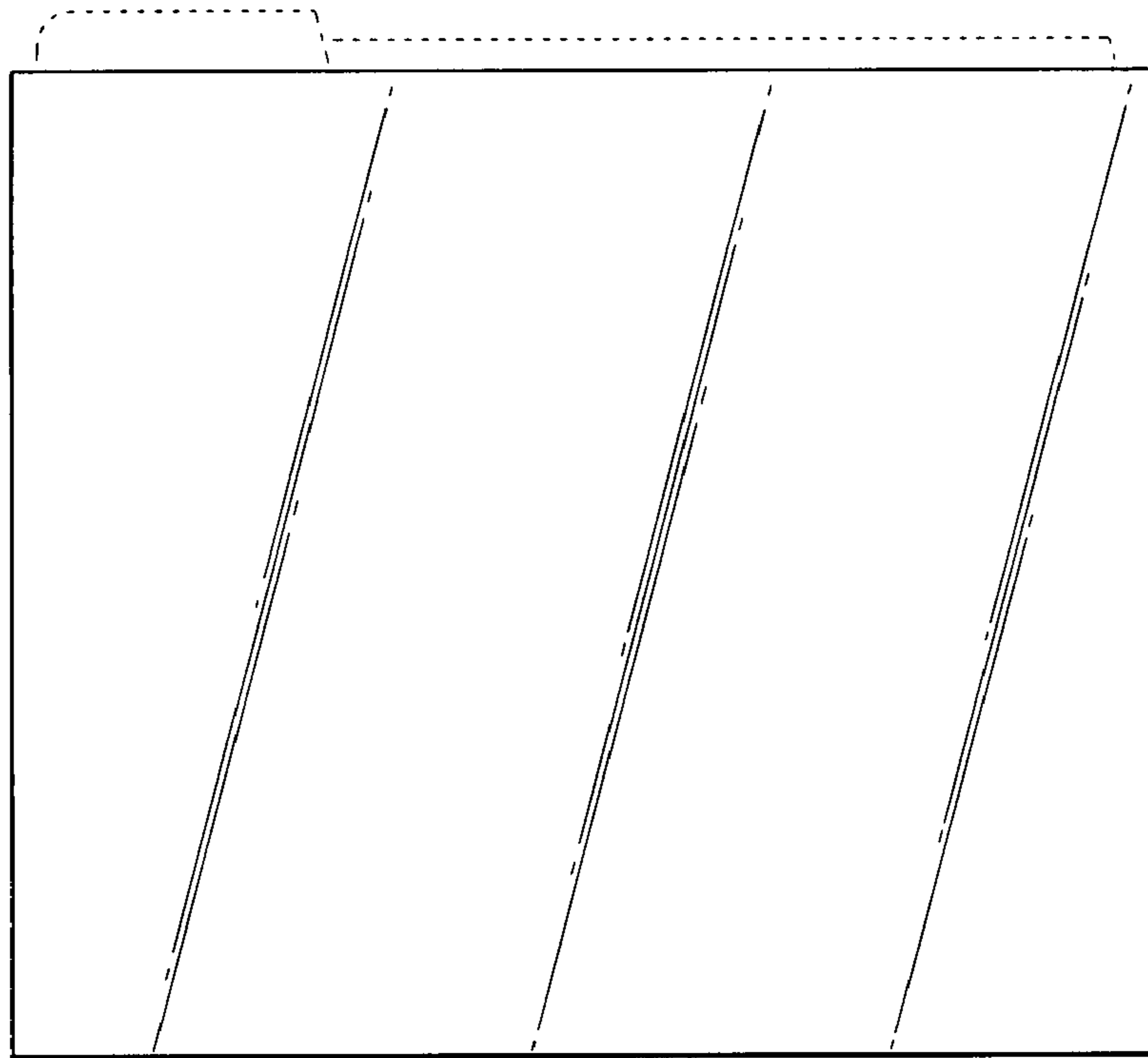


FIG. 4

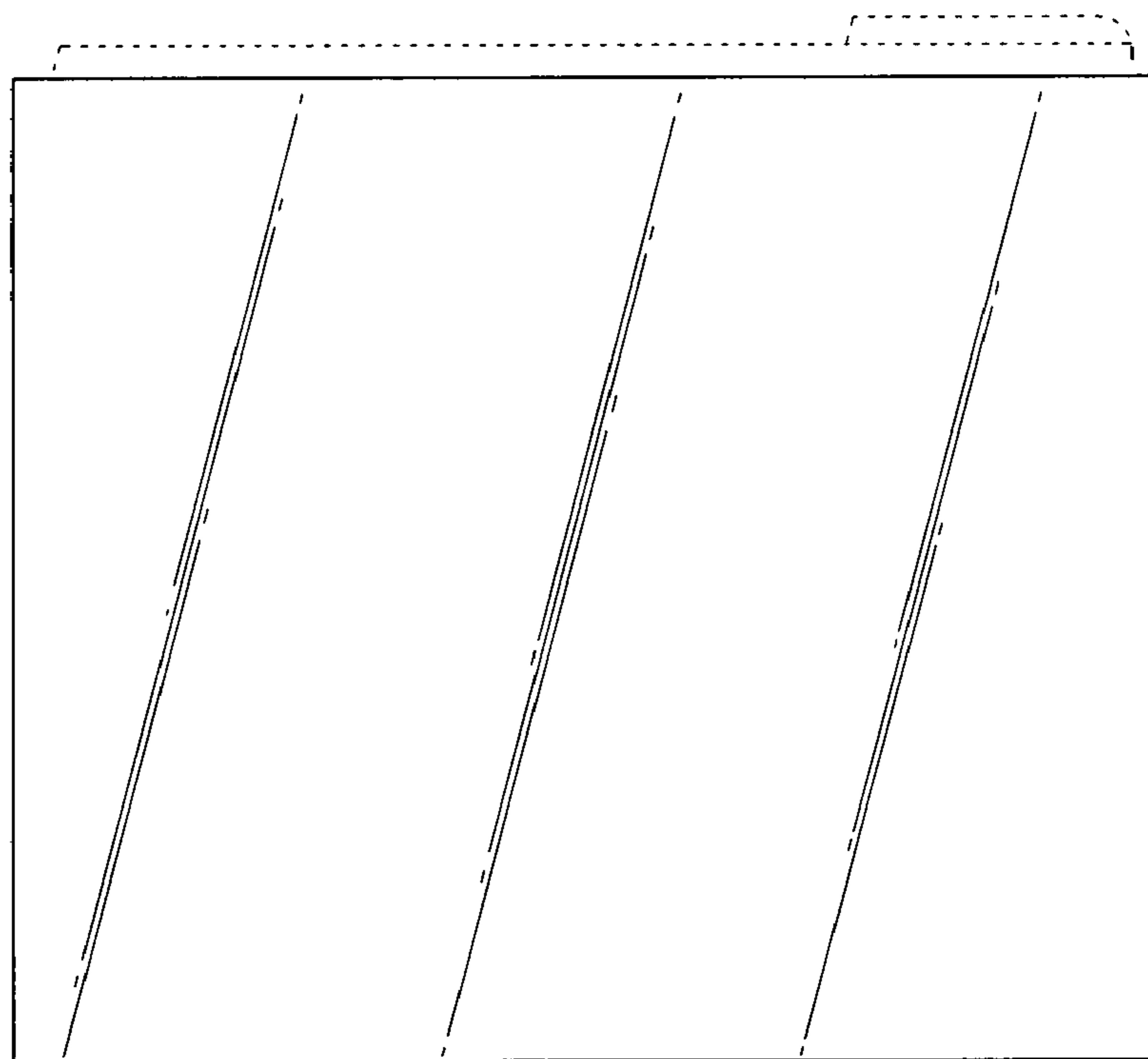


FIG. 5

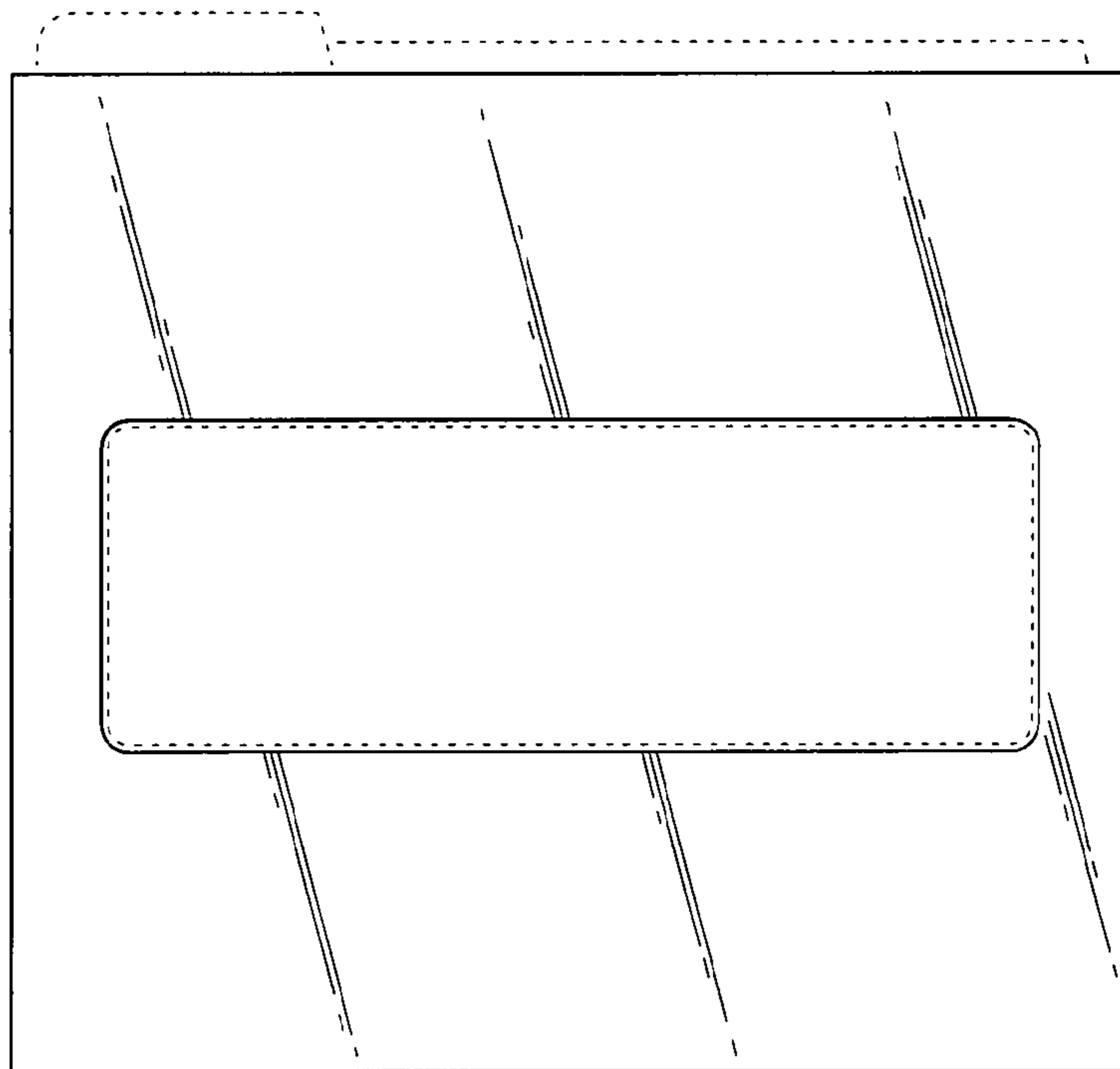


FIG. 6

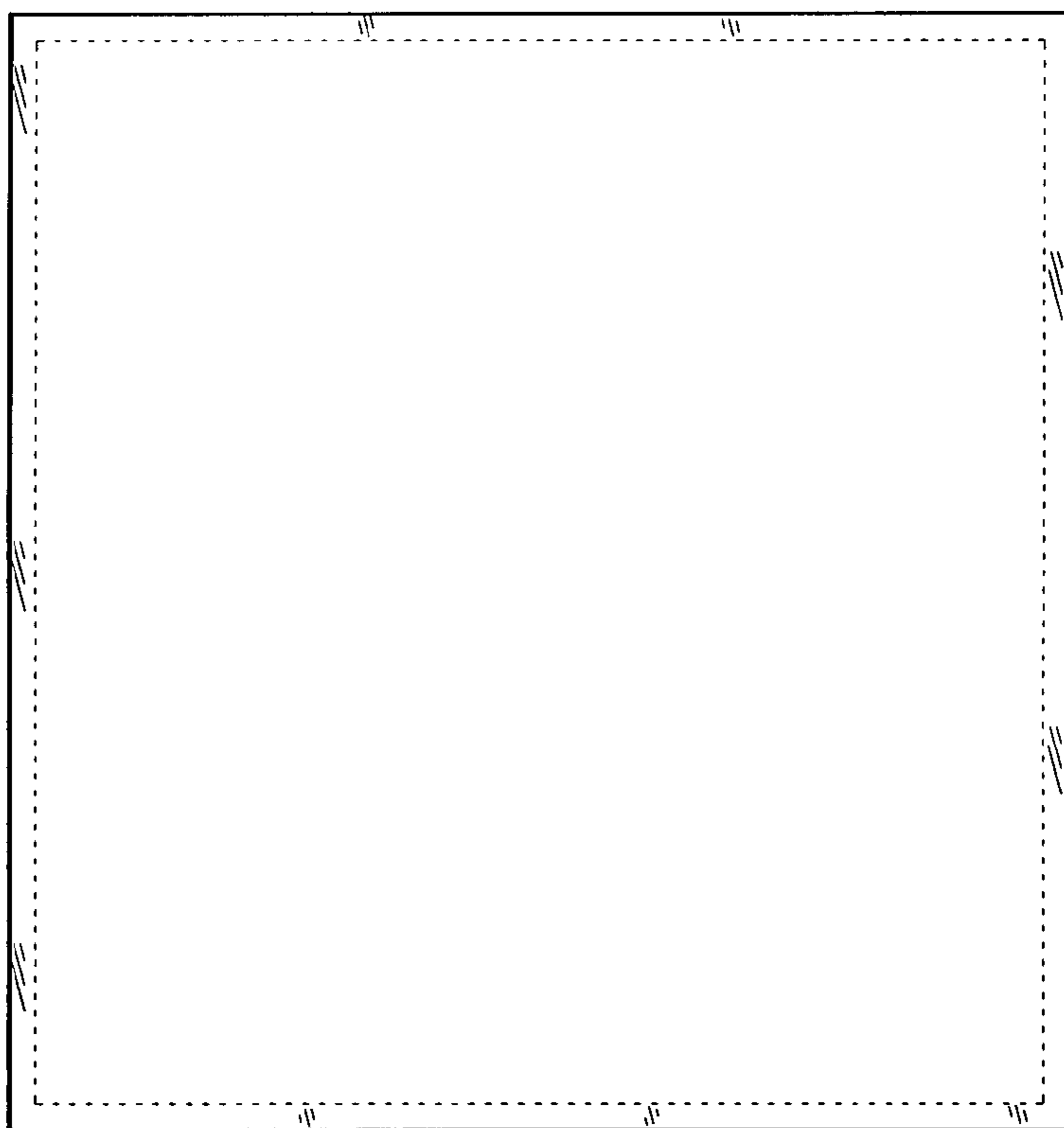


FIG. 7