



US00D565646S

(12) **United States Design Patent**  
**Yamamoto et al.**

(10) **Patent No.:** **US D565,646 S**

(45) **Date of Patent:** **\*\* Apr. 1, 2008**

(54) **TONER CARTRIDGE**

(75) Inventors: **Yuichi Yamamoto**, Toyokawa (JP);  
**Hideki Mekada**, Shinshiro (JP)

(73) Assignee: **Konica Minolta Business Technologies, Inc.**, Chiyoda-Ku, Tokyo (JP)

(\*\*) Term: **14 Years**

(21) Appl. No.: **29/265,454**

(22) Filed: **Sep. 1, 2006**

(30) **Foreign Application Priority Data**

Mar. 3, 2006 (JP) ..... 2006-005403

(51) **LOC (8) Cl.** ..... **16-03**

(52) **U.S. Cl.** ..... **D18/43**

(58) **Field of Classification Search** ..... D14/471;  
D18/12, 36, 40, 43, 44, 56; 222/DIG. 1;  
347/197, 222; 399/24-28, 107-112, 119,  
399/121, 122, 222-224

See application file for complete search history.

(56) **References Cited**

**U.S. PATENT DOCUMENTS**

D443,295 S \* 6/2001 Kusanagi et al. .... D18/40  
D448,042 S \* 9/2001 Hale et al. .... D18/43  
6,963,713 B2 \* 11/2005 Isomura et al. .... 222/DIG. 1  
D524,850 S \* 7/2006 Hashimoto et al. .... D18/43  
D534,576 S \* 1/2007 Hashimoto et al. .... D18/43  
D552,163 S \* 10/2007 Kouroku et al. .... D18/43  
D552,164 S \* 10/2007 Kouroku et al. .... D18/43

**FOREIGN PATENT DOCUMENTS**

JP D1216043 S 8/2004

JP D1216182 S 8/2004  
JP D1252650 S 10/2005  
JP D1257112 S 12/2005

**OTHER PUBLICATIONS**

Product information for magicolor 5440 DL, Konica Minolta Holdings Inc., <http://konicaminoltajp/products/business/printers/laser/color/magicolor5440dl/...>, pp. 1-5, Aug. 23, 2006.

Optional product information for magicolor 5440 DL, Konica Minolta Holdings Inc., <http://konicaminoltajp/products/business/printers/laser/color/magicolor5440dl/...>, pp. 1-4, Aug. 23, 2006.

Optional product information for magicolor 7300, Konica Minolta Holdings, Inc., <http://konicaminoltajp/products/business/printers/laser/archive/magi7300/730...>, pp. 1-3, Aug. 23, 2006.

\* cited by examiner

*Primary Examiner*—Caron D. Veynar

*Assistant Examiner*—Garth Rademaker

(74) *Attorney, Agent, or Firm*—Buchanan Ingersoll & Rooney PC

(57) **CLAIM**

The ornamental design for a toner cartridge, as shown.

**DESCRIPTION**

FIG. 1 is a top, front and right side perspective view of a toner cartridge showing our new design;

FIG. 2 is a front elevational view thereof;

FIG. 3 is a rear elevational view thereof;

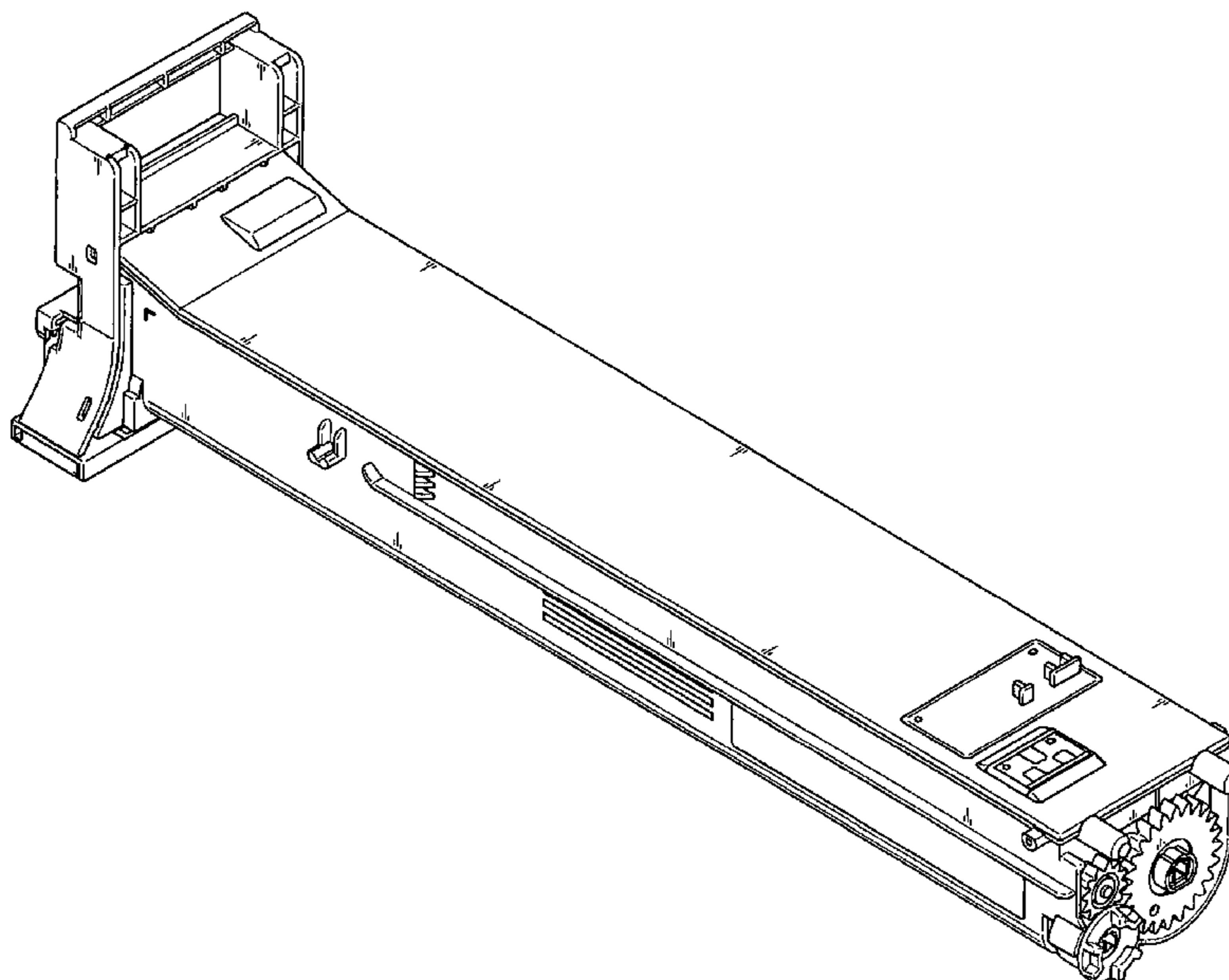
FIG. 4 is a top plan view thereof;

FIG. 5 is a bottom plan view thereof;

FIG. 6 is a right side view thereof; and,

FIG. 7 is a left side view thereof.

**1 Claim, 6 Drawing Sheets**



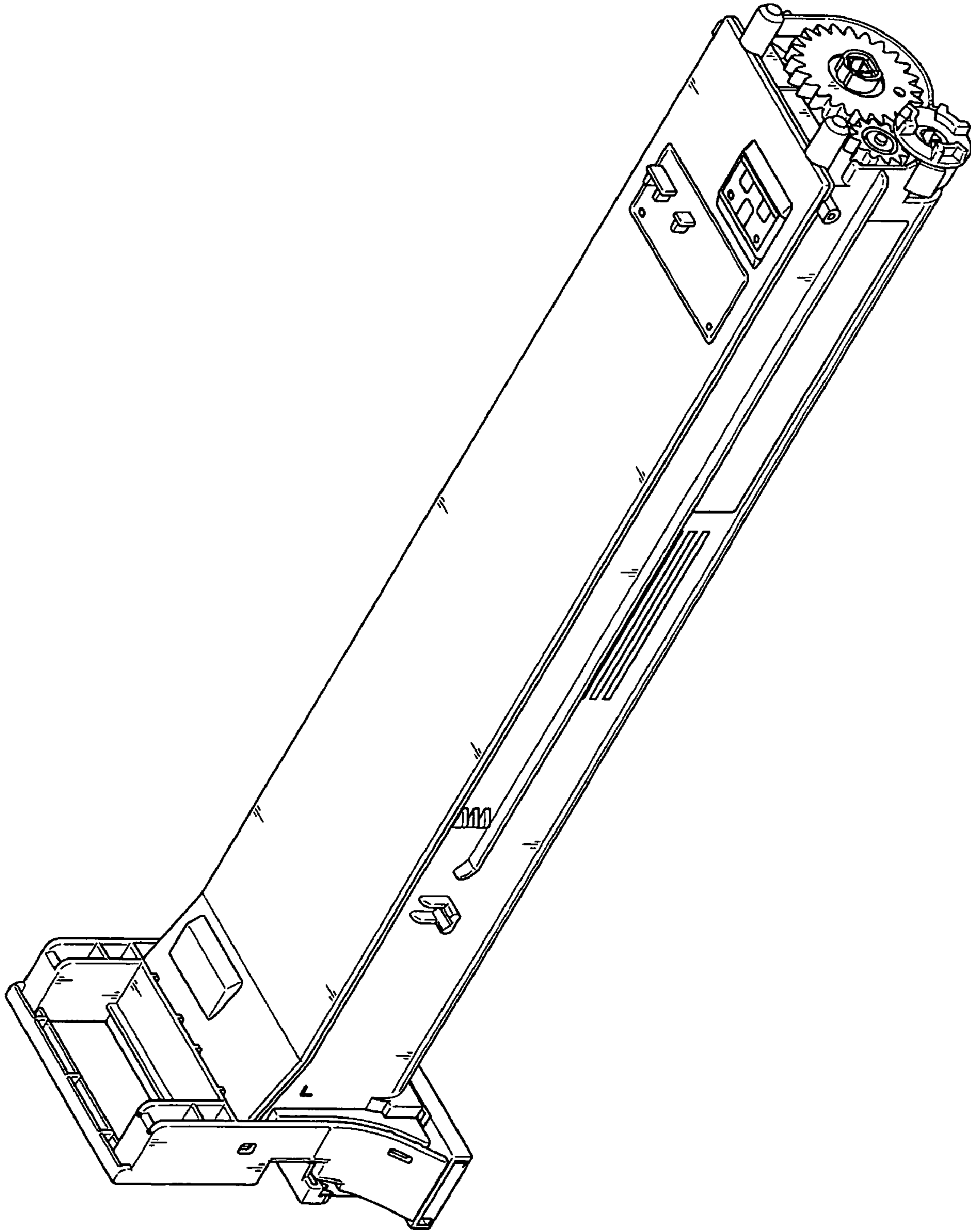
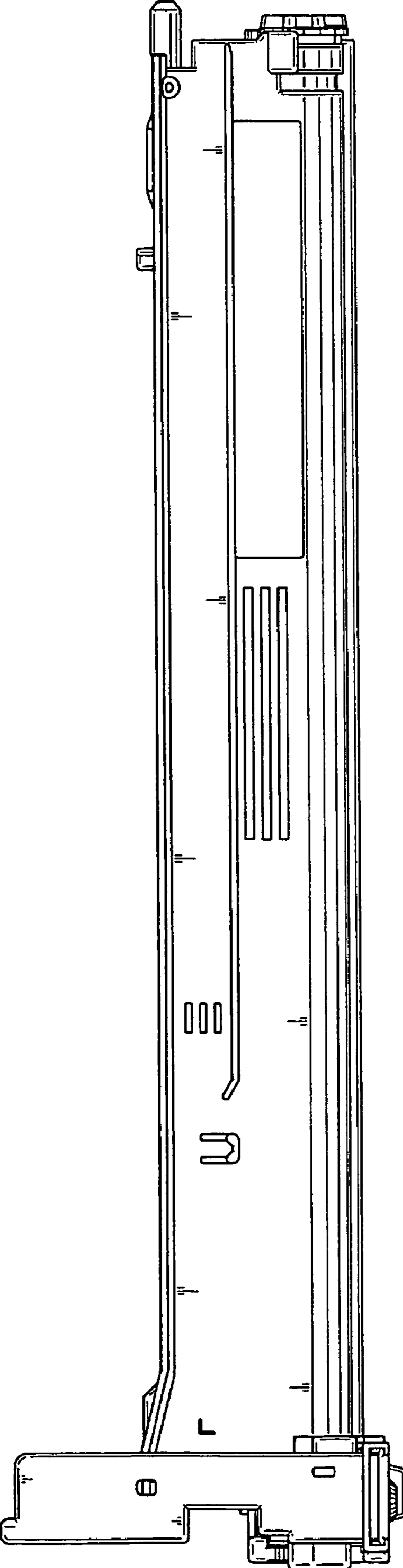


Fig. 1

Fig. 2



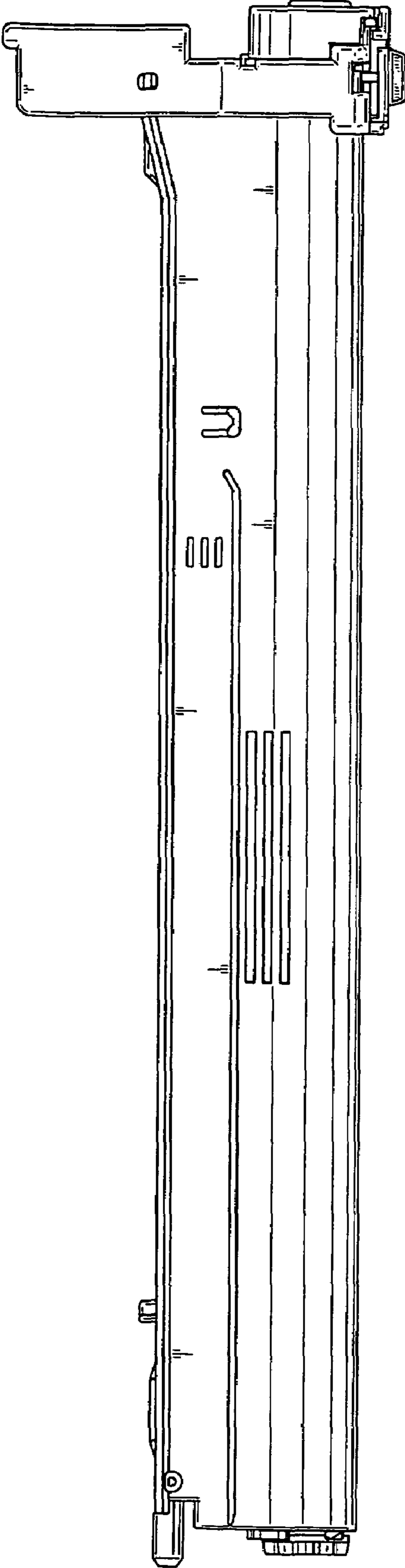


Fig. 3

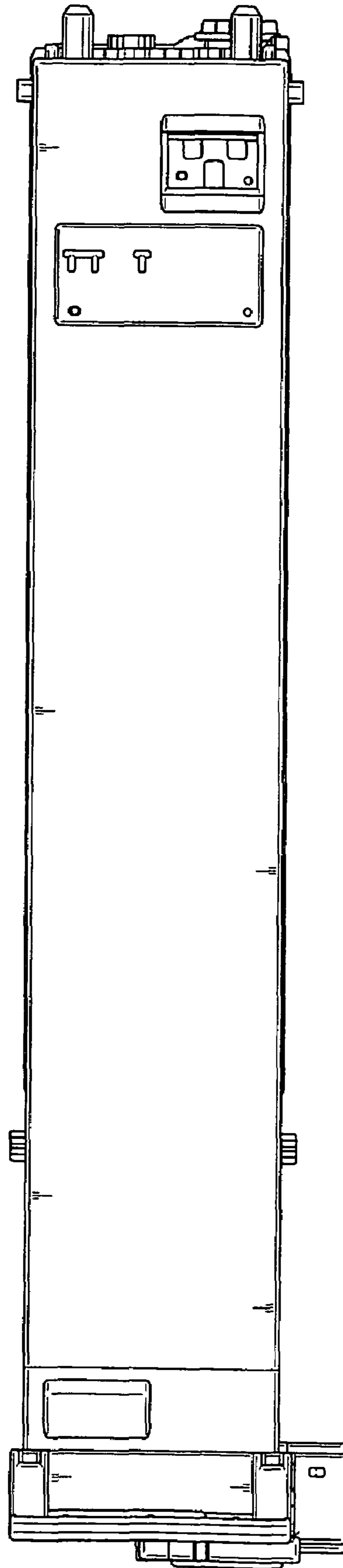


Fig. 4

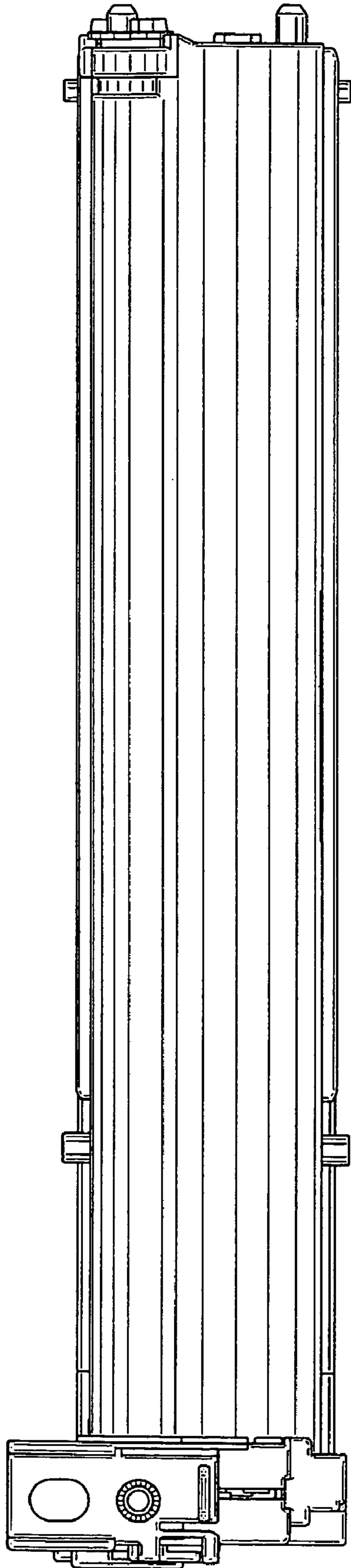


Fig. 5



Fig. 7

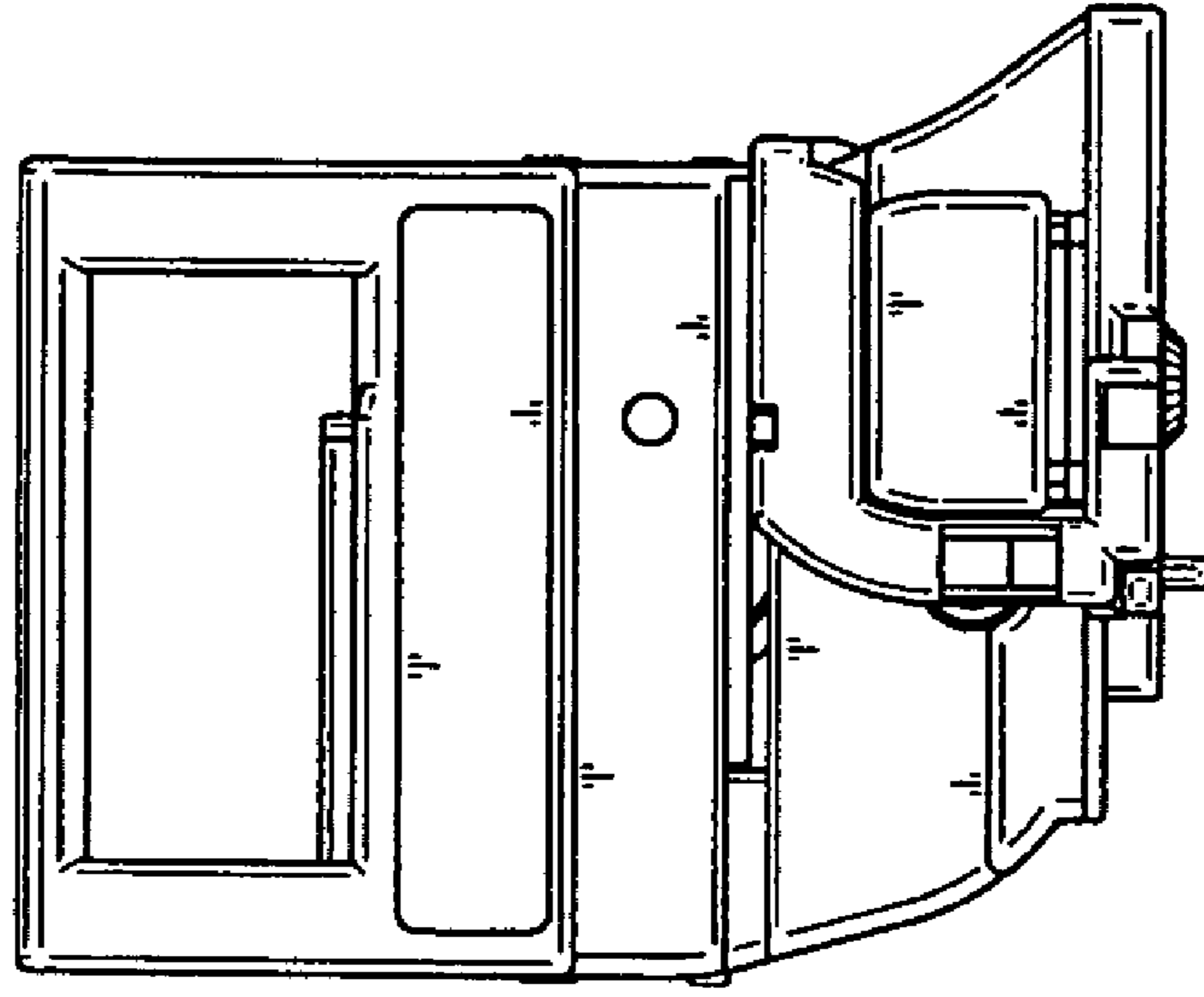


Fig. 6

