



US00D565645S

(12) **United States Design Patent**
Kawamura et al.

(10) **Patent No.:** **US D565,645 S**
(45) **Date of Patent:** **** Apr. 1, 2008**

(54) **DATA PROCESSING MACHINE**

D380,006 S 6/1997 Takahashi et al. D18/39
5,881,333 A * 3/1999 Takahashi et al. 399/2
D408,443 S 4/1999 Sasaki D18/36

(75) Inventors: **Toshihiro Kawamura**, Kyoto (JP);
Atsushi Fukumura, Kyoto (JP);
Makoto Kawamoto, Kyoto (JP);
Yasuhiro Sakanashi, Kyoto (JP);
Kouichi Motoyoshi, Kyoto (JP)

(Continued)

FOREIGN PATENT DOCUMENTS

(73) Assignee: **Murata Kikai Kikai Kabushiki**
Kaisha, Kyoto (JP)

JP D1064657 3/2000
JP D1079578 7/2000
JP D1080075 7/2000
JP D1080075-1 7/2000
JP D1093357 12/2000
JP D1094127 12/2000

(**) Term: **14 Years**

(21) Appl. No.: **29/249,547**

(22) Filed: **Oct. 11, 2006**

(Continued)

Related U.S. Application Data

(62) Division of application No. 29/213,012, filed on Sep. 10, 2004.

Primary Examiner—Caron D. Veynar
Assistant Examiner—Garth Rademaker

(74) *Attorney, Agent, or Firm*—Hogan & Hartson LLP

(30) **Foreign Application Priority Data**

Mar. 15, 2004 (JP) 2004-007625
Mar. 15, 2004 (JP) 2004-007626
Mar. 15, 2004 (JP) 2004-007627
Mar. 15, 2004 (JP) 2004-007628
Mar. 15, 2004 (JP) 2004-007629

(57) **CLAIM**

The ornamental design for a data processing machine, as shown and described.

(51) **LOC (8) Cl.** **16-03**
(52) **U.S. Cl.** **D18/39**
(58) **Field of Classification Search** D18/36-41;
222/DIG. 1; 271/3.14, 8.1, 226, 278; 355/97,
355/99; 358/1.1; 399/1-7, 16, 75, 81, 107,
399/130, 151, 361, 365, 367, 381-383, 388
See application file for complete search history.

DESCRIPTION

This article is a data processing machine used as a facsimile, a copier, a scanner, or a printer or a multifunctional machine of any combination thereof.

FIG. 1 is a perspective view of our design for a data processing machine;

FIG. 2 is a front view thereof;

FIG. 3 is a rear view thereof;

FIG. 4 is a top plan view thereof;

FIG. 5 is a bottom plan view thereof;

FIG. 6 is a right side elevational view thereof; and,

FIG. 7 is a left side elevational view thereof.

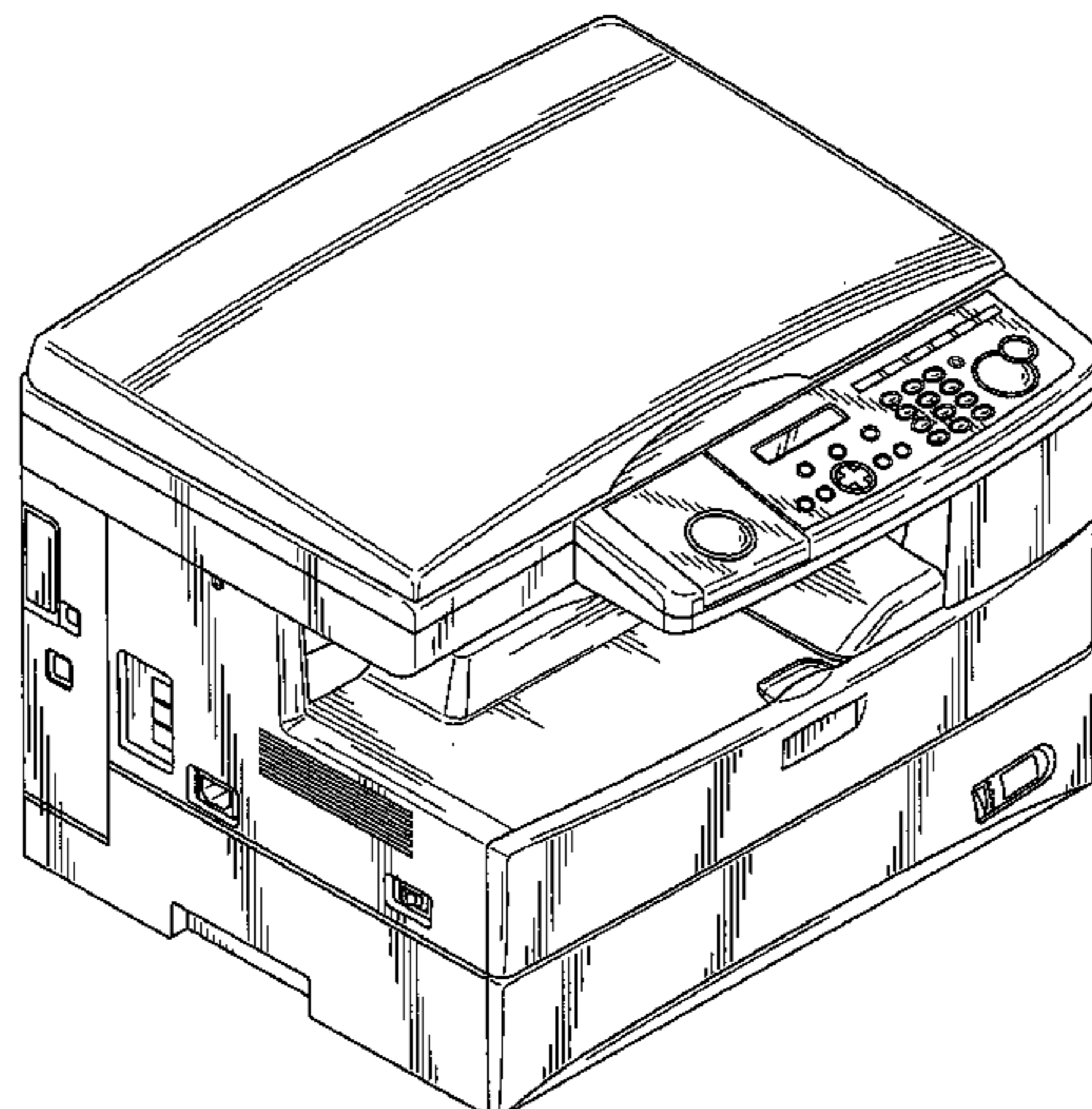
The broken lines depict environmental subject matter only and form no part of the claimed design.

(56) **References Cited**

U.S. PATENT DOCUMENTS

D317,622 S 6/1991 Isomoto et al. D18/38
D320,808 S 10/1991 Ishida D18/37
D328,609 S 8/1992 Ishida D18/36
D338,031 S 8/1993 Katada et al. D18/36
D374,454 S * 10/1996 Naruki et al. D18/36

1 Claim, 7 Drawing Sheets



US D565,645 S

Page 2

U.S. PATENT DOCUMENTS

D410,675 S 6/1999 Ohashi D18/36
D415,787 S 10/1999 Clark et al. D18/36
D424,101 S 5/2000 Takeuchi D18/53
D425,929 S 5/2000 Imai D18/36
D433,439 S 11/2000 Yoshida et al. D18/36
D451,124 S 11/2001 Isomoto D18/39
D459,752 S * 7/2002 Shiozaki D18/36
D473,587 S 4/2003 Agata et al. D18/39
D502,210 S 2/2005 Katori et al. D18/39
D521,544 S 5/2006 Saito D18/39
7,046,955 B2 * 5/2006 Hatanaka et al. 399/107
D525,291 S 7/2006 Fukumura et al. D18/49
D526,678 S 8/2006 Inoue et al. D18/49
7,092,646 B2 8/2006 Schroath et al. 399/21
7,149,011 B2 * 12/2006 Kawamura et al. 399/367
D537,471 S 2/2007 Inoue
2003/0219273 A1 11/2003 Fujita et al. 399/81
2004/0264999 A1 * 12/2004 Marumoto 399/107
2005/0069336 A1 3/2005 Kotani 399/81
2005/0254869 A1 * 11/2005 Yamada et al. 399/361

FOREIGN PATENT DOCUMENTS

D1099881 2/2001
D1120834 9/2001
D1134624 2/2002
D1134625 2/2002
D1137127 3/2002
D1149603 8/2002
D1153194 9/2002
D1153207 9/2002
D1153694 9/2002
D1153721 9/2002
D1166763 3/2003
D1192394 12/2003
D1200324 3/2004
D1200502 3/2004
D1201650 4/2004
D1201653 4/2004

* cited by examiner

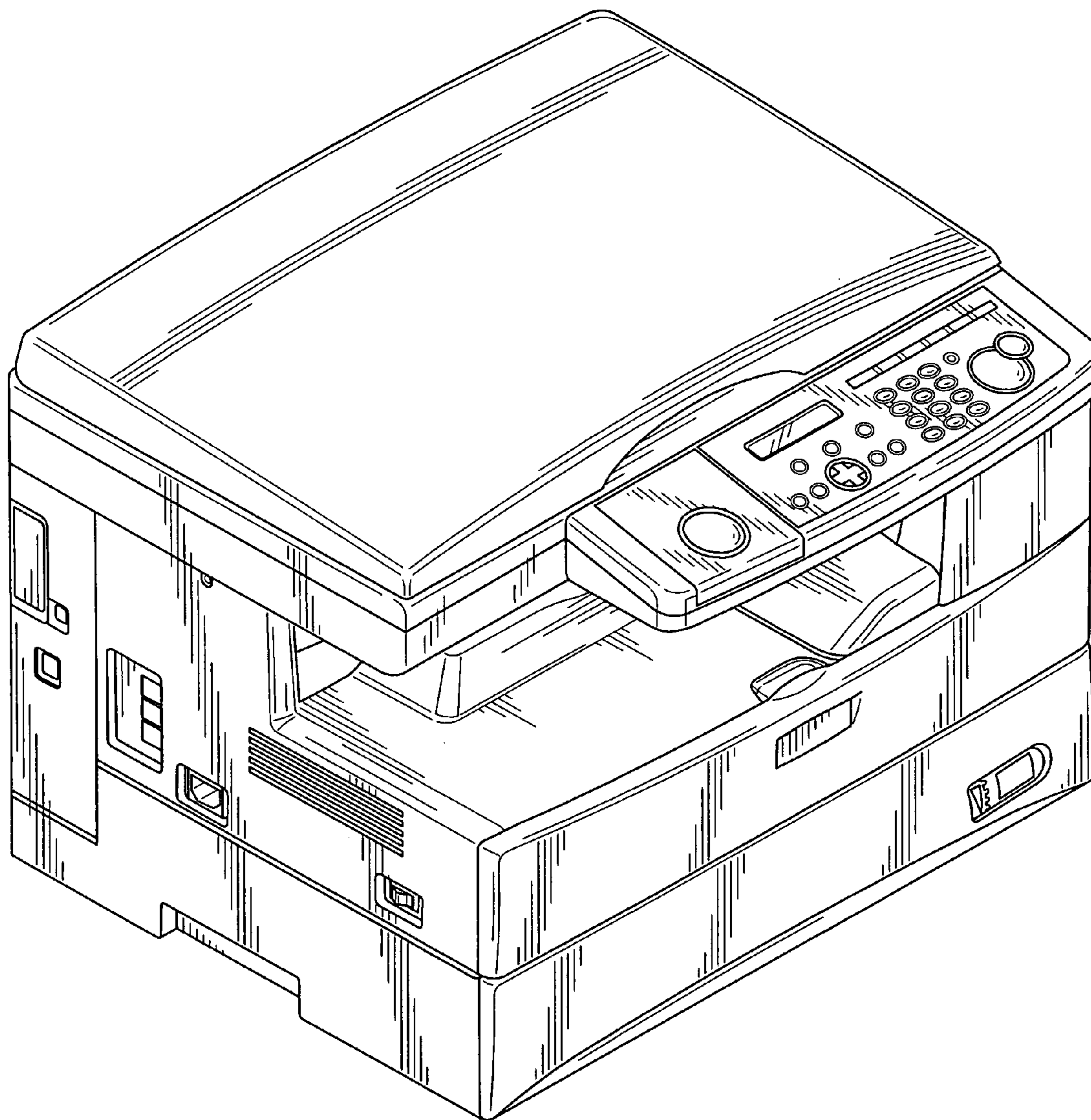


FIG. 1

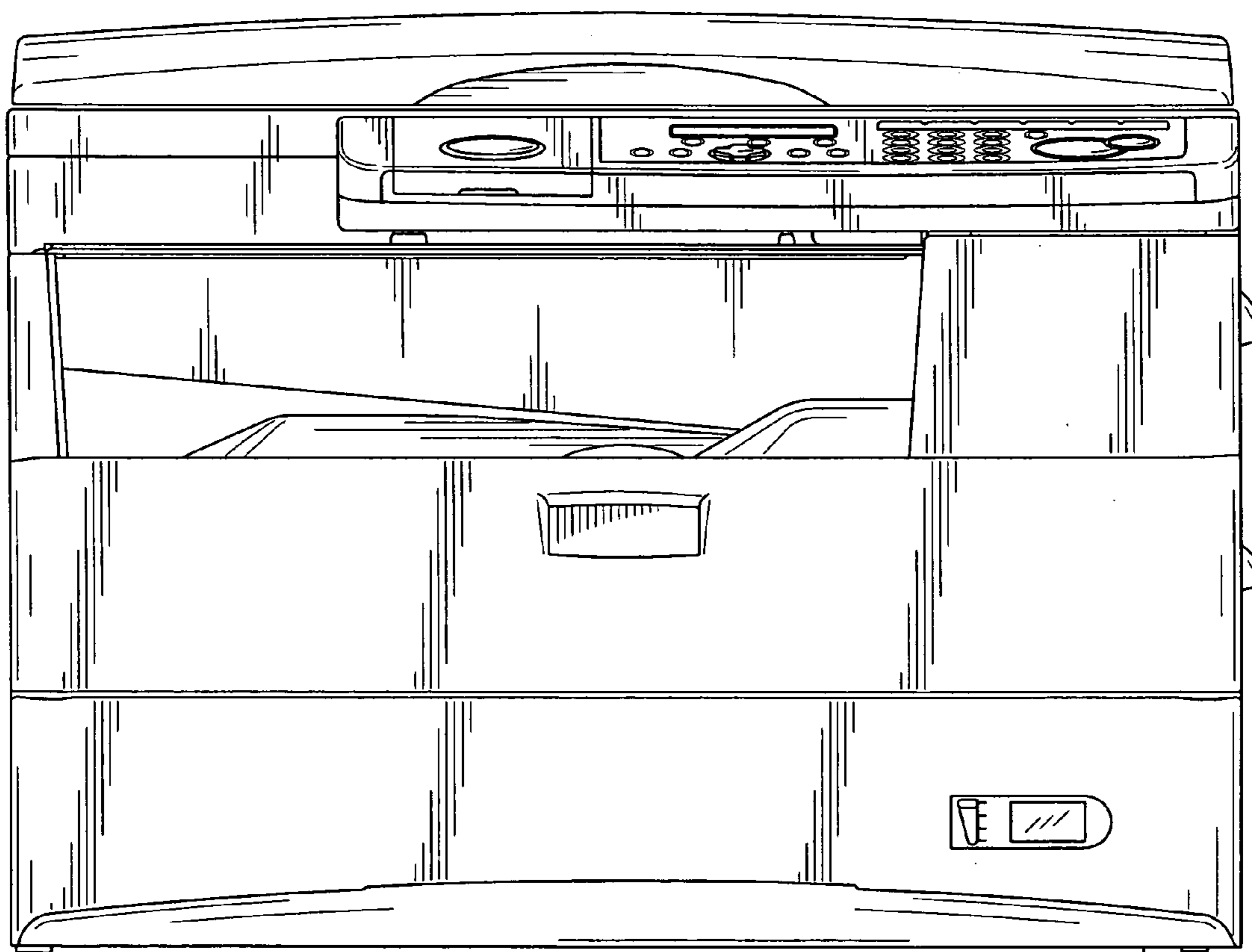


FIG. 2

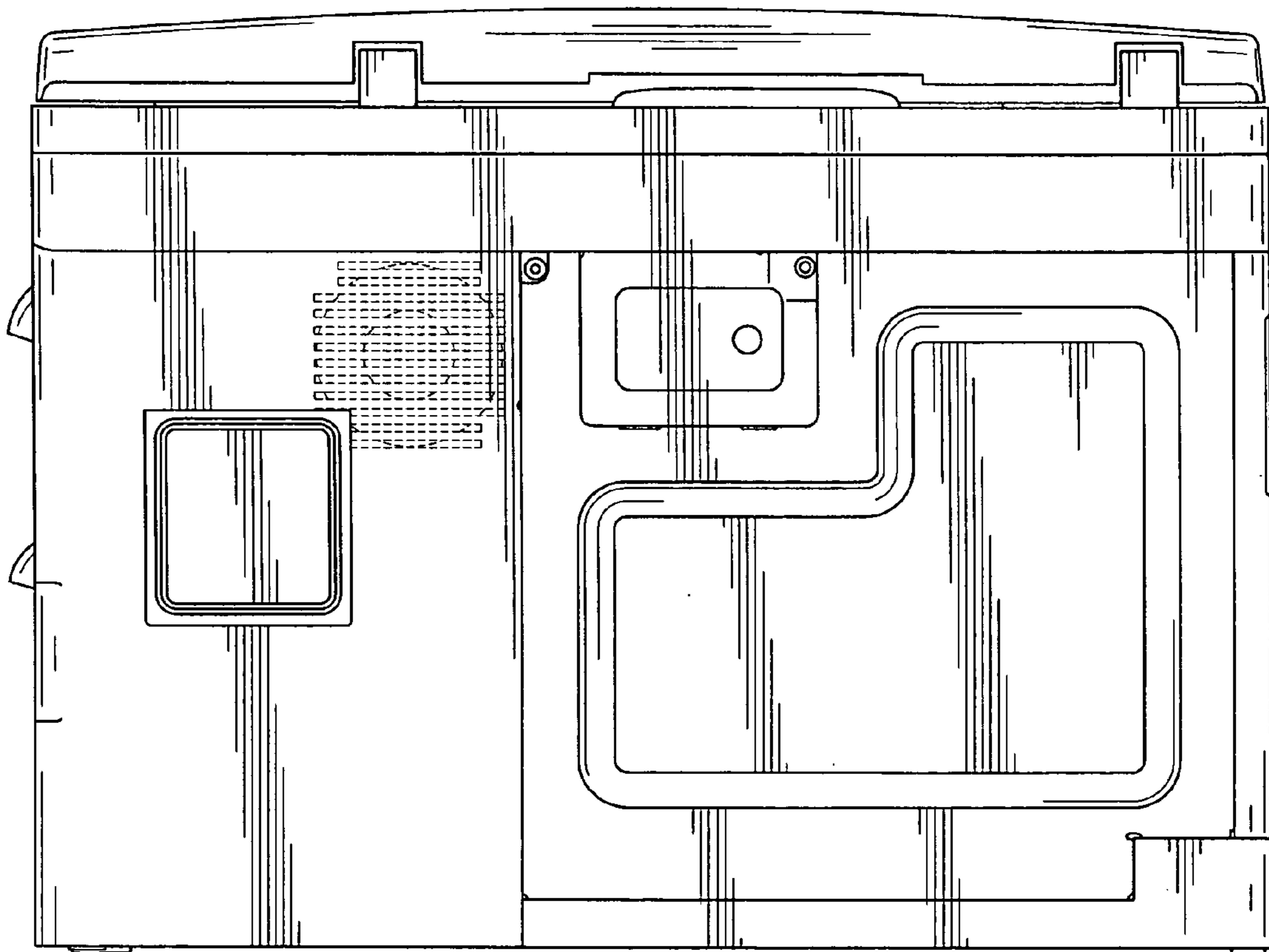


FIG. 3

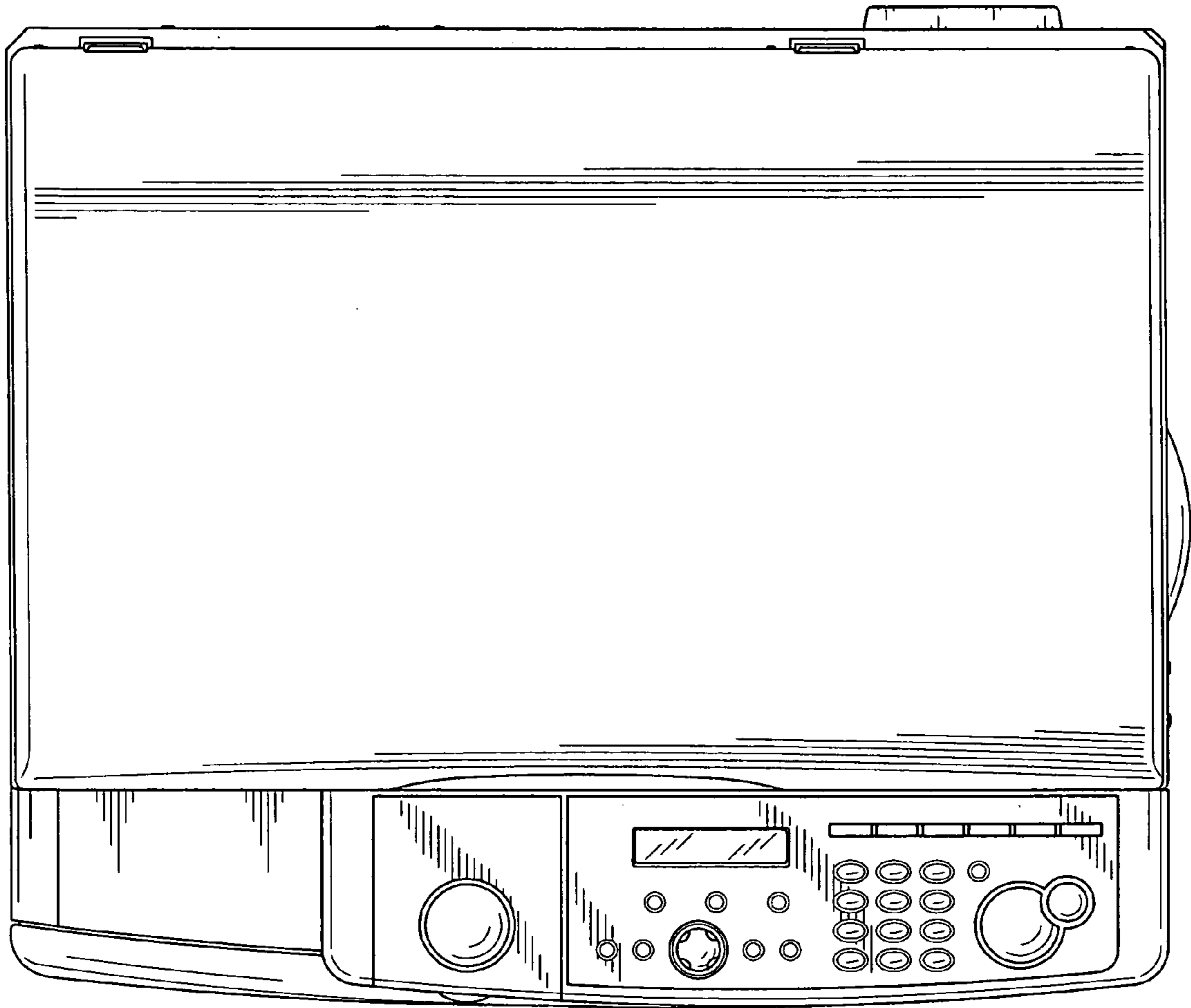


FIG. 4

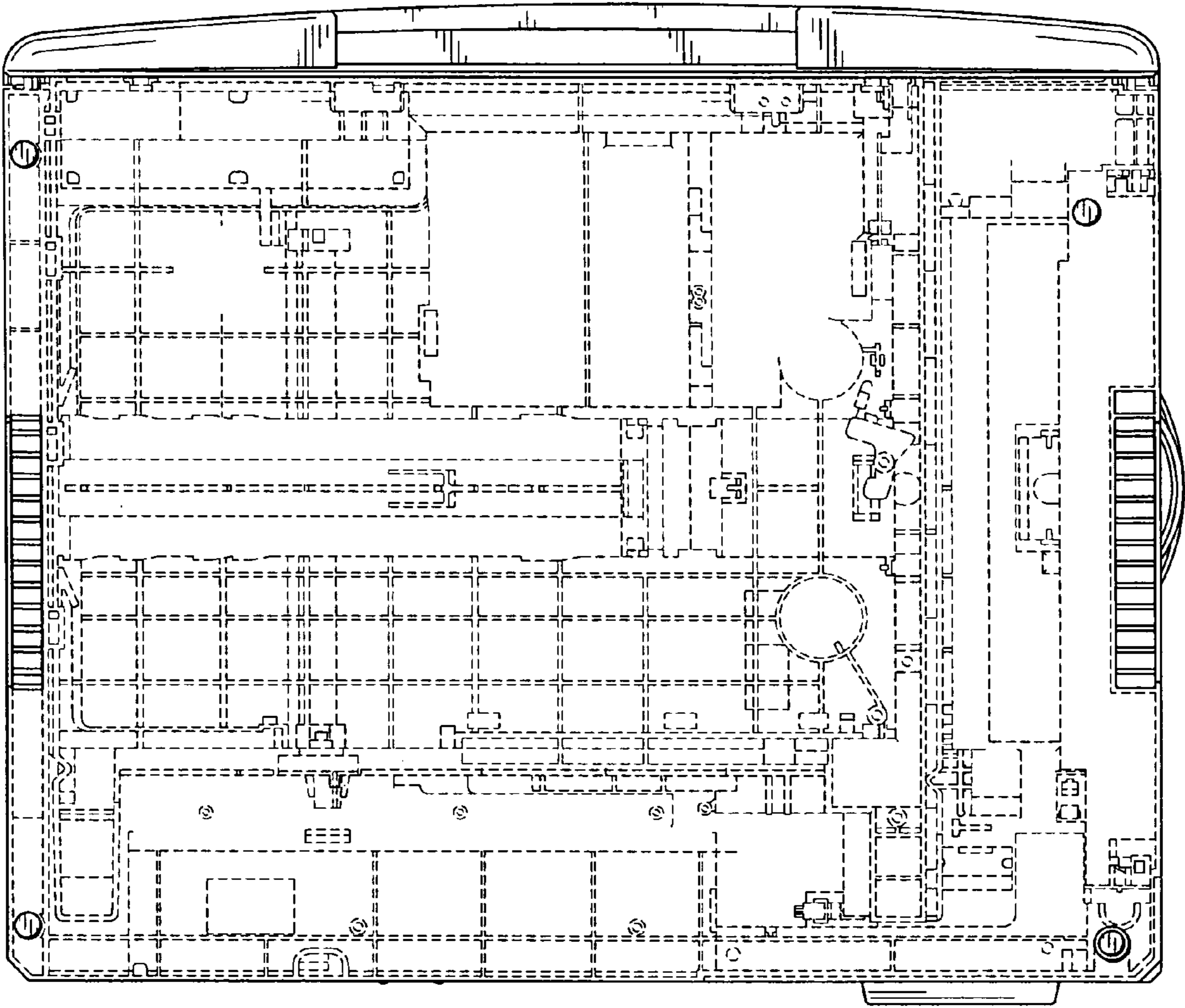


FIG. 5

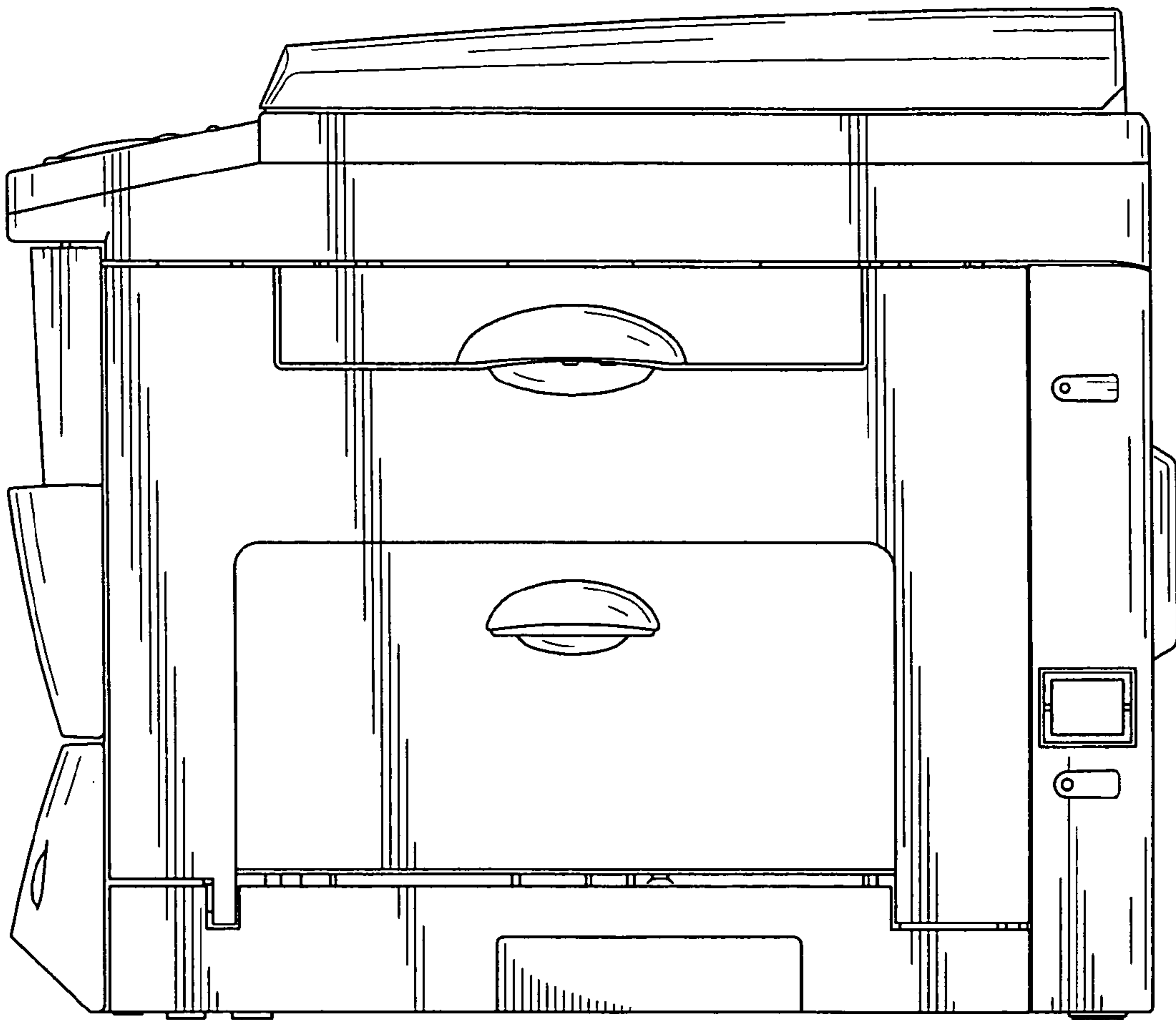


FIG. 6

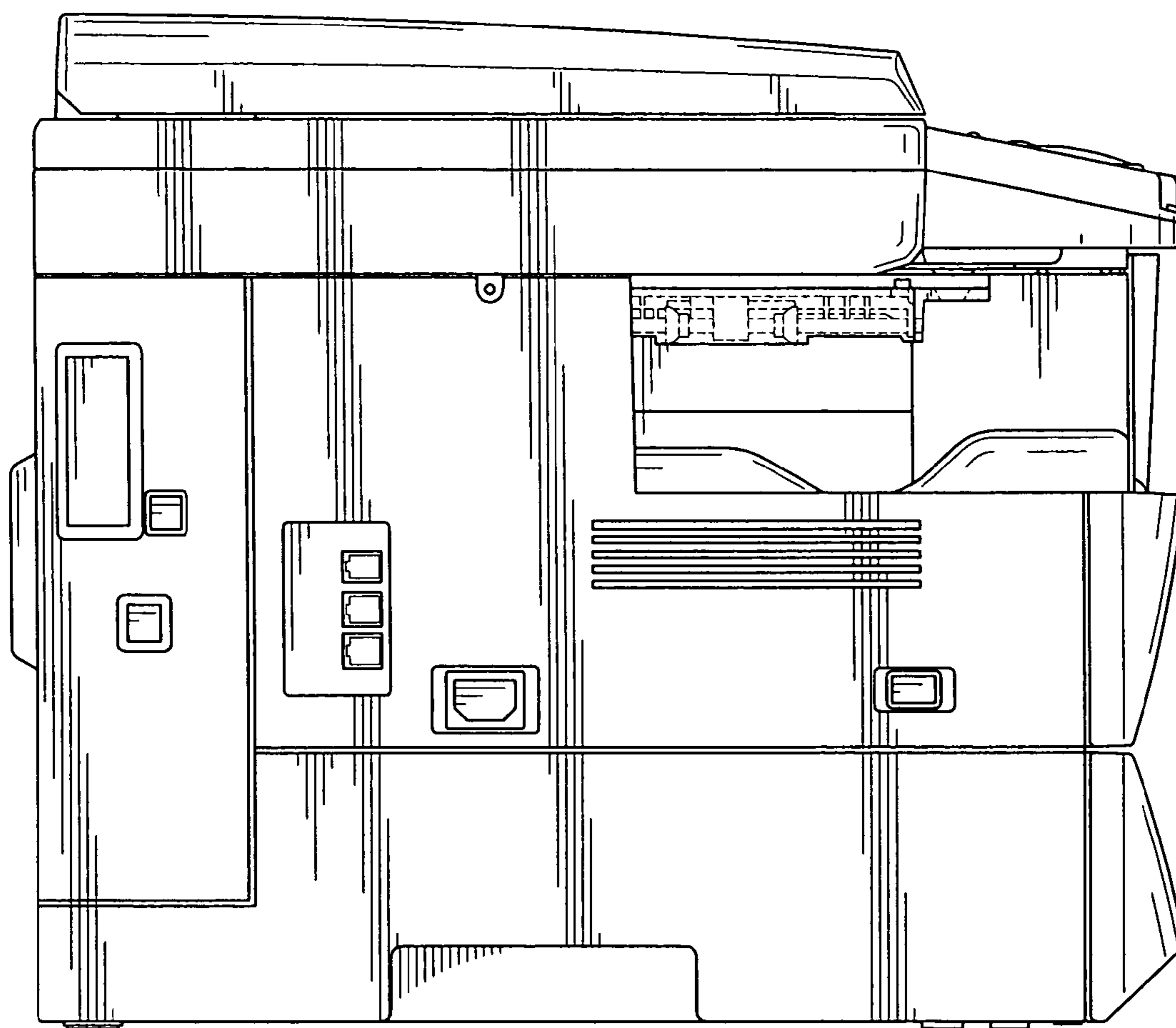


FIG. 7

UNITED STATES PATENT AND TRADEMARK OFFICE
CERTIFICATE OF CORRECTION

PATENT NO. : Des. 565,645 S
APPLICATION NO. : 29/249547
DATED : April 1, 2008
INVENTOR(S) : Toshihiro Kawamura et al.

Page 1 of 1

It is certified that error appears in the above-identified patent and that said Letters Patent is hereby corrected as shown below:

Title Page;

Col. 1, line 73, change "Murata Kikai Kikai Kabushiki Kaisha, Kyoto (JP)" to Murata Kikai Kabushiki Kaisha, Kyoto (JP)

Signed and Sealed this

Eighth Day of July, 2008

A handwritten signature in black ink, reading "Jon W. Dudas". The signature is written in a cursive style with a large, looped initial "J".

JON W. DUDAS

Director of the United States Patent and Trademark Office