

US00D565643S

(12) **United States Design Patent**
Li

(10) **Patent No.:** **US D565,643 S**
(45) **Date of Patent:** **** Apr. 1, 2008**

(54) **GUITAR**

D499,757 S * 12/2004 Hoffman D17/14

(75) Inventor: **Lai Suo Li**, Guangdong (CN)

OTHER PUBLICATIONS

(73) Assignee: **Topway Electrical Appliance Company**, Guangdong (CN)

Bacon et al. "Electric Guitars: The Illustrated Encyclopedia". Copyright 2000. p. 299. Guitar: Dime Culprit CP2003: bottom left on page.*

(**) Term: **14 Years**

Bacon et al. "Electric Guitars: The Illustrated Encyclopedia". Copyright 2000. p. 227. Kramer Guitar: Voyage Imperial: left on page.*

(21) Appl. No.: **29/277,957**

Bacon et al. "Electric Guitars: The Illustrated Encyclopedia". Copyright 2000. p. 36. Guitar: V220T: bottom right on page.*

(22) Filed: **Mar. 15, 2007**

Bacon et al. "Electric Guitars: The Illustrated Encyclopedia". Copyright 2000. p. 208. Guitar: Destroyer II DT555: bottom left on page.*

(30) **Foreign Application Priority Data**

* cited by examiner

Dec. 1, 2006 (CN) 2006 3 0155086

Primary Examiner—Adir Aronovich

Assistant Examiner—R. Johnson

(51) **LOC (8) Cl.** **17-03**

(52) **U.S. Cl.** **D17/18**

(58) **Field of Classification Search** D17/14,
D17/18, 19, 20; 84/7, 11, 173, 267–269,
84/290–293, 718, DIG. 24

See application file for complete search history.

(57) **CLAIM**

The ornamental design for a guitar, as shown.

(56) **References Cited**

DESCRIPTION

U.S. PATENT DOCUMENTS

FIG. 1 is a front elevational view of a guitar showing my new design;

FIG. 2 is a rear elevational view thereof;

FIG. 3 is a right side view thereof;

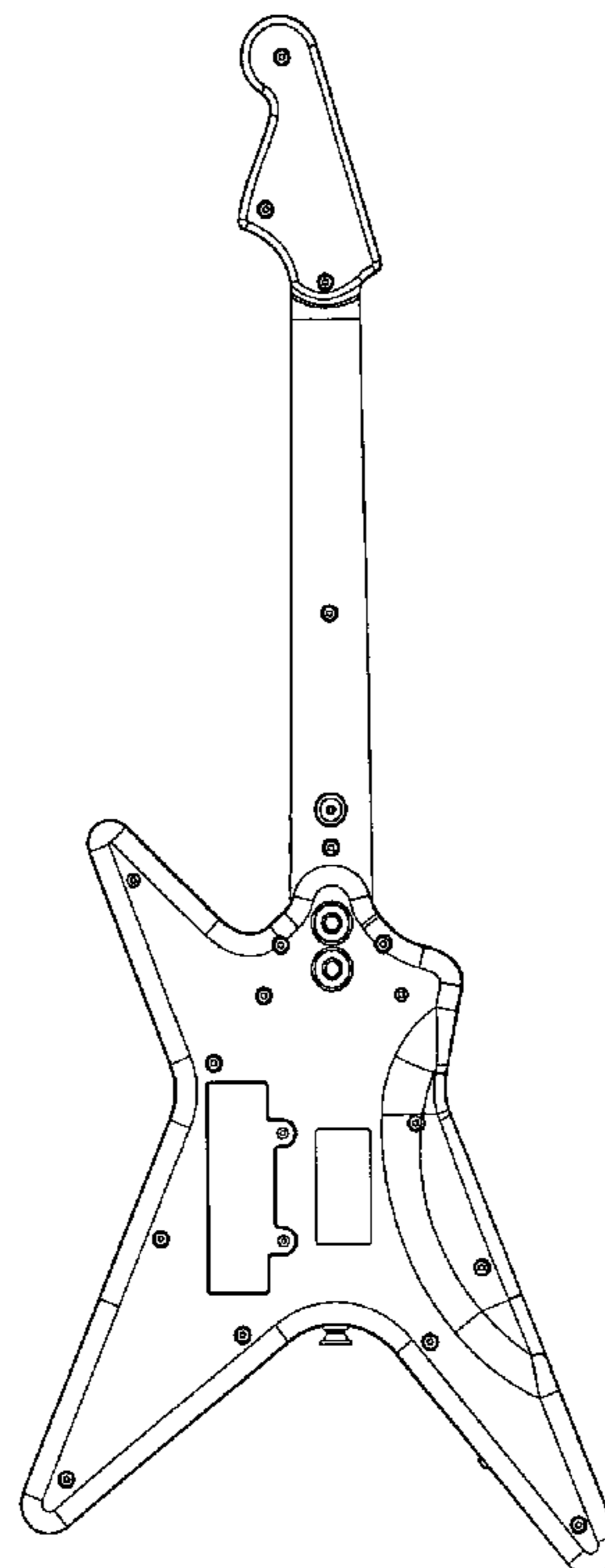
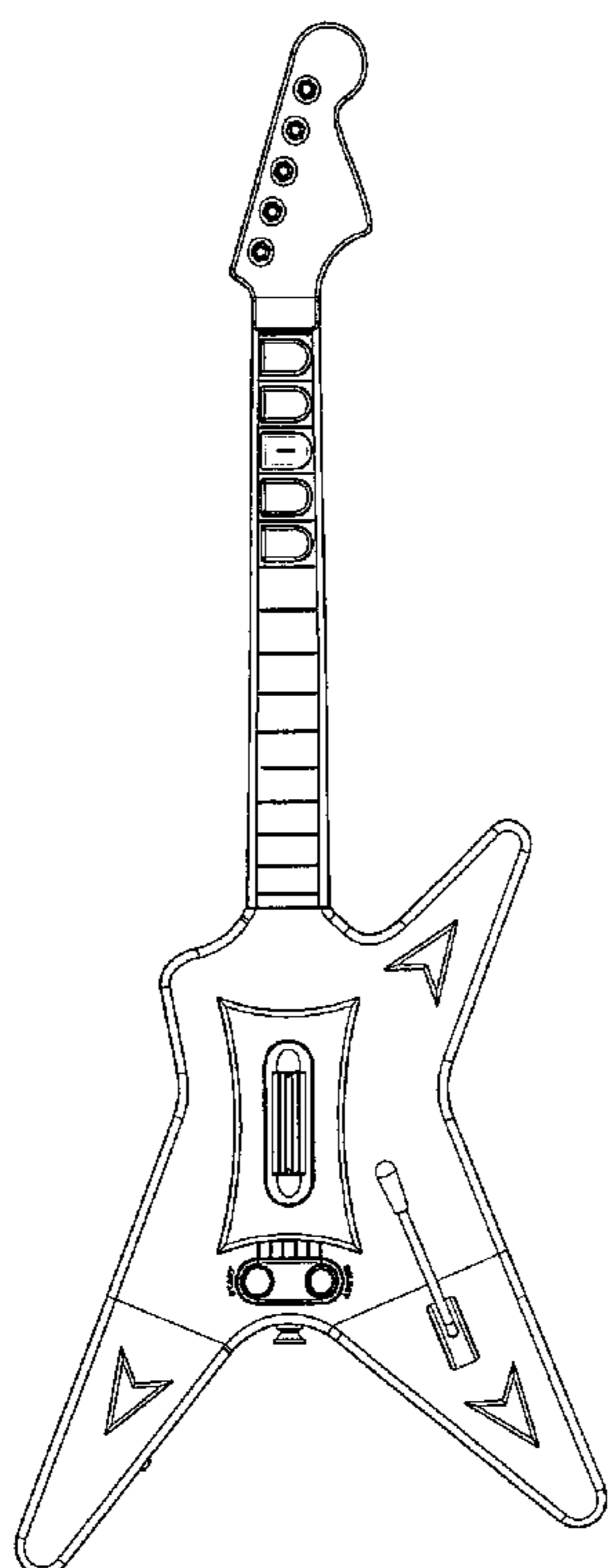
FIG. 4 is a left side view thereof;

FIG. 5 is a top plan view thereof; and,

FIG. 6 is a bottom plan view thereof.

- D181,865 S * 1/1958 McCarty D17/14
- D203,301 S * 12/1965 Frazier D17/14
- D209,333 S * 11/1967 Ketjen D17/14
- D256,251 S * 8/1980 Grimes D17/14
- D293,252 S * 12/1987 Powers D17/20
- 4,890,529 A * 1/1990 Grant 84/291
- D308,179 S * 5/1990 Perlmutter et al. D11/44
- D318,060 S * 7/1991 Fisher D17/14
- D427,244 S * 6/2000 Muraki et al. D21/324

1 Claim, 5 Drawing Sheets



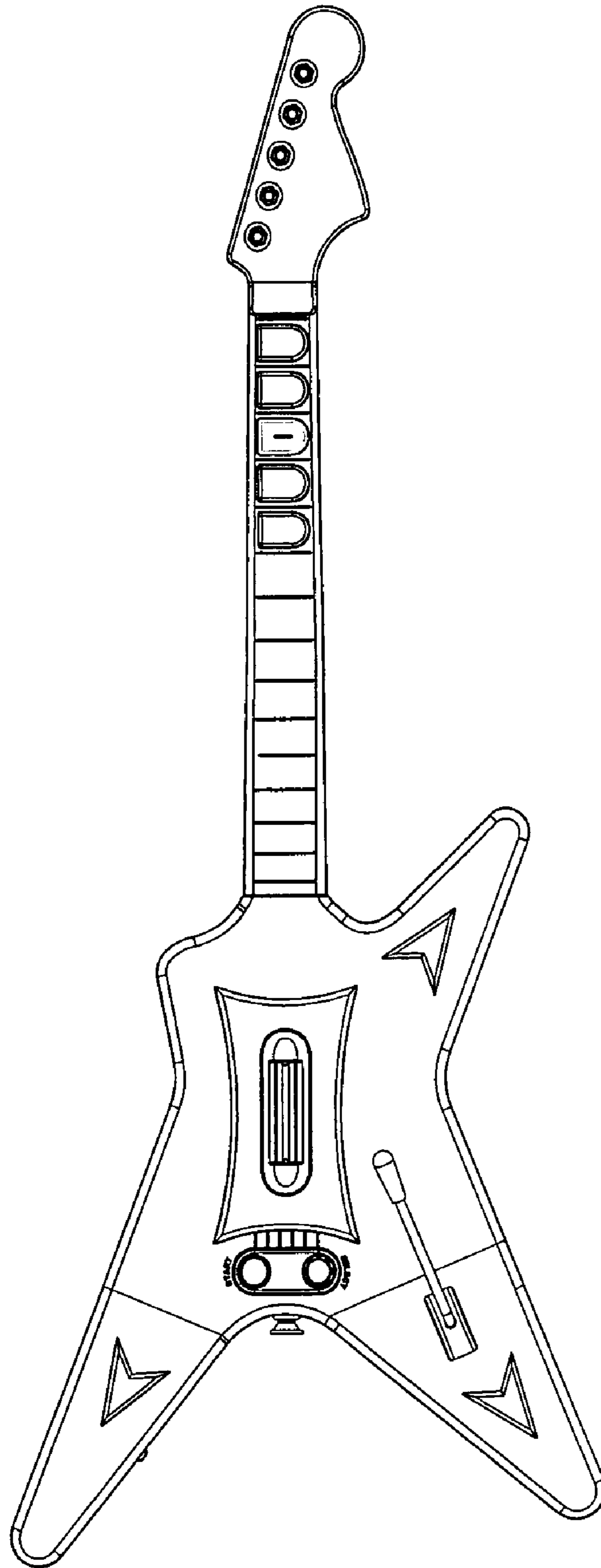


Fig. 1

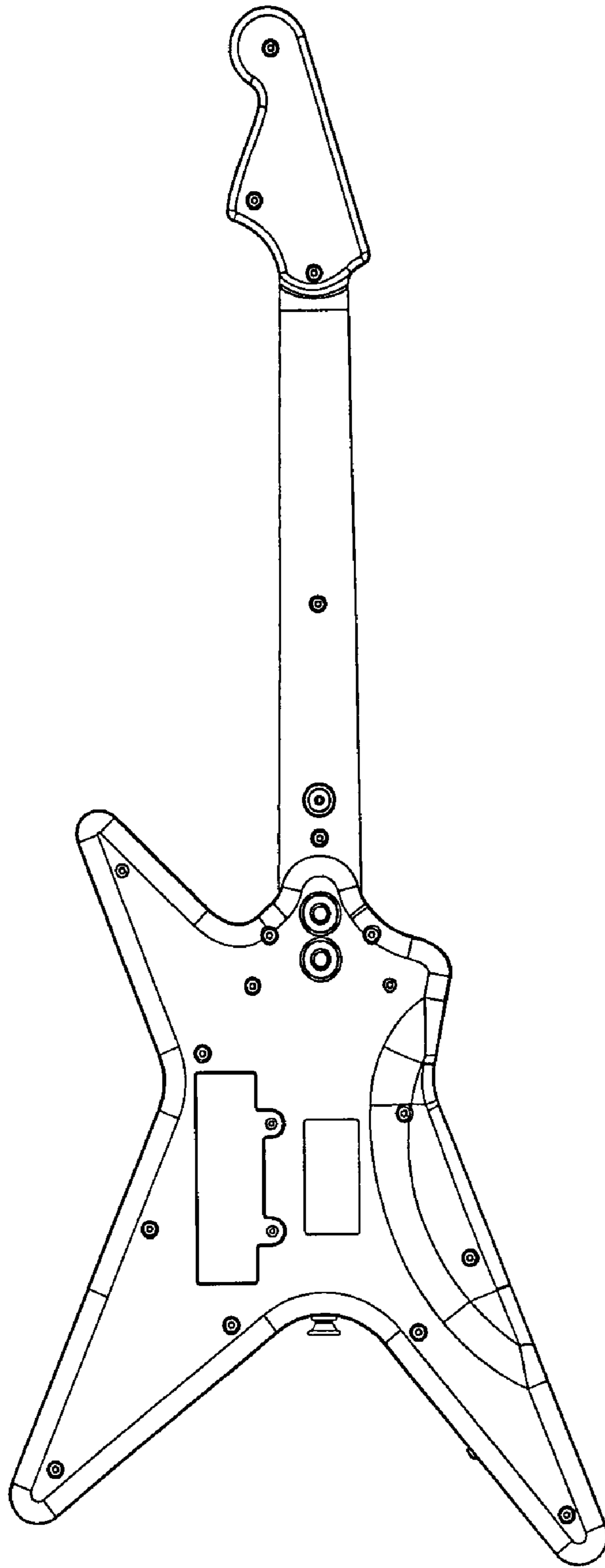


Fig. 2

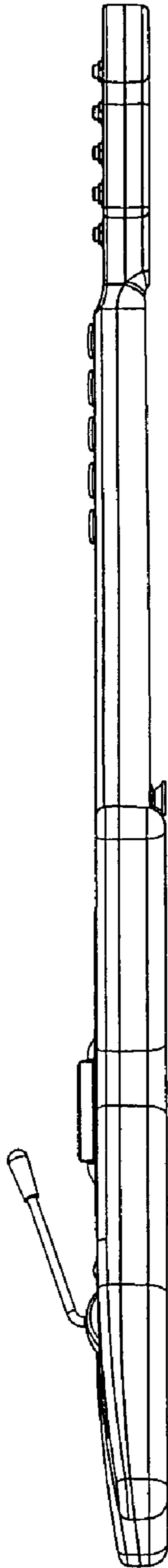


Fig. 3

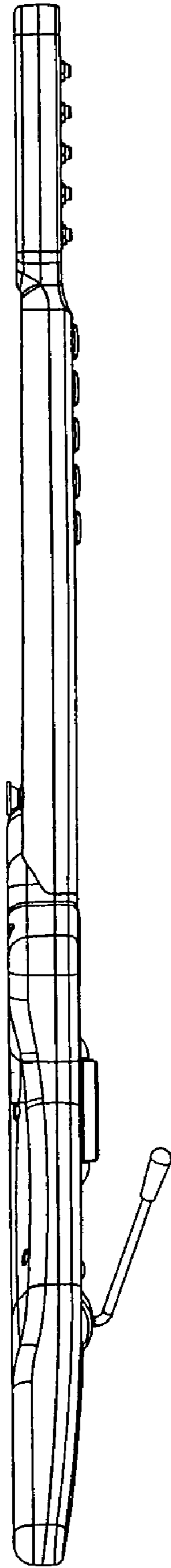


Fig. 4

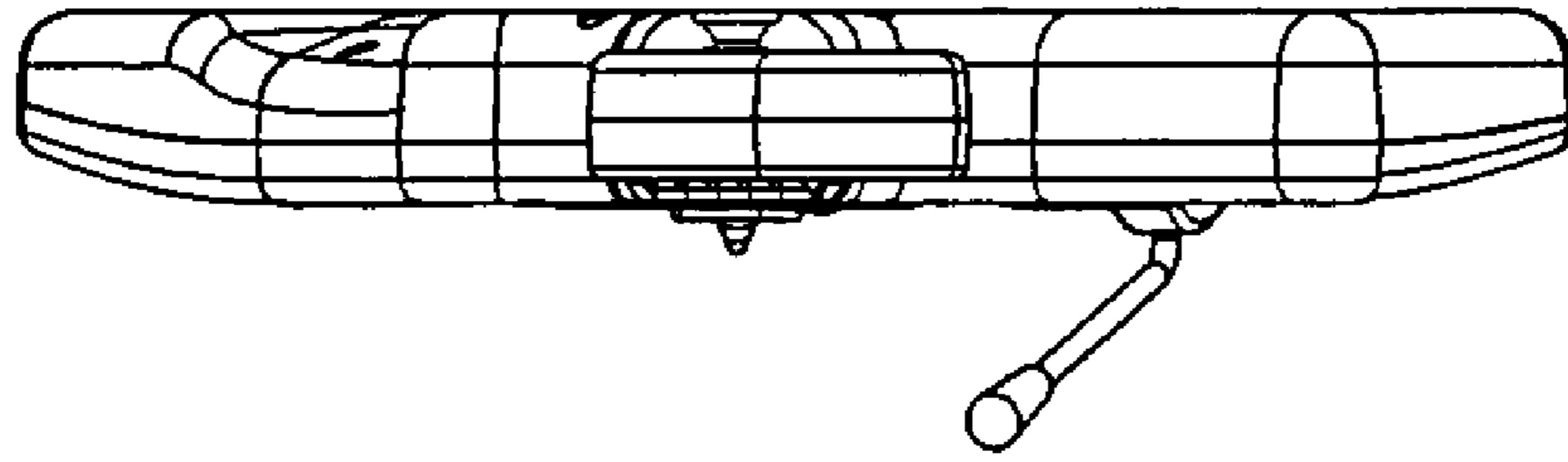


Fig. 5

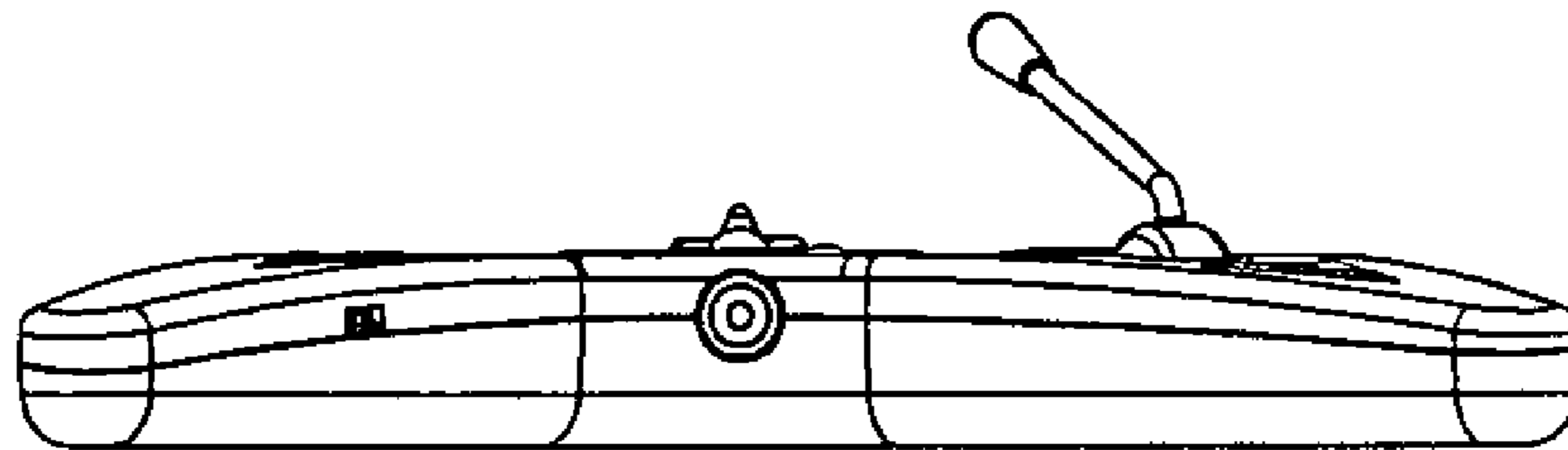


Fig. 6