



US00D565642S

(12) **United States Design Patent** (10) **Patent No.:** **US D565,642 S**
Ito (45) **Date of Patent:** **** Apr. 1, 2008**

(54) **ELECTRONIC PIANO**

(75) Inventor: **Masafumi Ito**, Hamamatsu (JP)

(73) Assignee: **Yamaha Corporation**, Shizuoka (JP)

(**) Term: **14 Years**

(21) Appl. No.: **29/283,136**

(22) Filed: **Aug. 7, 2007**

(30) **Foreign Application Priority Data**

Feb. 23, 2007 (JP) 2007-004397

(51) **LOC (8) Cl.** **17-01**

(52) **U.S. Cl.** **D17/9**

(58) **Field of Classification Search** D17/1,
D17/2, 7, 8, 9; 84/13, 15, 17, 26, 72, 172,
84/174, 178, 184, 192, 225, 239, 240, 243,
84/423 R, 426, 429, 743-746; D21/409

See application file for complete search history.

(56) **References Cited**

U.S. PATENT DOCUMENTS

D111,900 S * 10/1938 Heller D17/7
3,721,148 A * 3/1973 Goss 84/189
D308,215 S * 5/1990 Katsuhara D17/7
D312,472 S * 11/1990 Esslinger D17/7
D369,378 S * 4/1996 Okamura D17/7
5,864,078 A * 1/1999 Koevering 84/478
2003/0015086 A1* 1/2003 Katz 84/644
2003/0226439 A1* 12/2003 Revenaugh 84/177

FOREIGN PATENT DOCUMENTS

JP 09114463 A * 5/1997

OTHER PUBLICATIONS

Pro-Music News. <http://www.pro-music-news.com/html/04/e30411ro.htm>. Jun. 2003. F-100 BK Digital Piano: top right on page.*

Kawai. http://www.kawai.de/homepage_en.htm. Dec. 2006. CL30 Compact Digital Piano: top of page.*

Gear4music.com. http://www.gear4music.com/Casio_Privia_PX200_Piano_plus_stand_Offersefv_2.html. Date unknown: Viewed Nov. 2007. Casio Privia PX-200 Piano: center of page.*

* cited by examiner

Primary Examiner—Ian Simmons

Assistant Examiner—R. Johnson

(74) *Attorney, Agent, or Firm*—Sughrue Mion, PLLC

(57) **CLAIM**

The ornamental design for an electronic piano, as shown and described.

DESCRIPTION

FIG. 1 is a perspective view of the top, front and left side of an electronic piano showing my new design;

FIG. 2 is a front elevational view thereof;

FIG. 3 is a top plan view thereof;

FIG. 4 is a bottom plan view thereof;

FIG. 5 is a left side elevational view thereof;

FIG. 6 is a right side elevational view thereof;

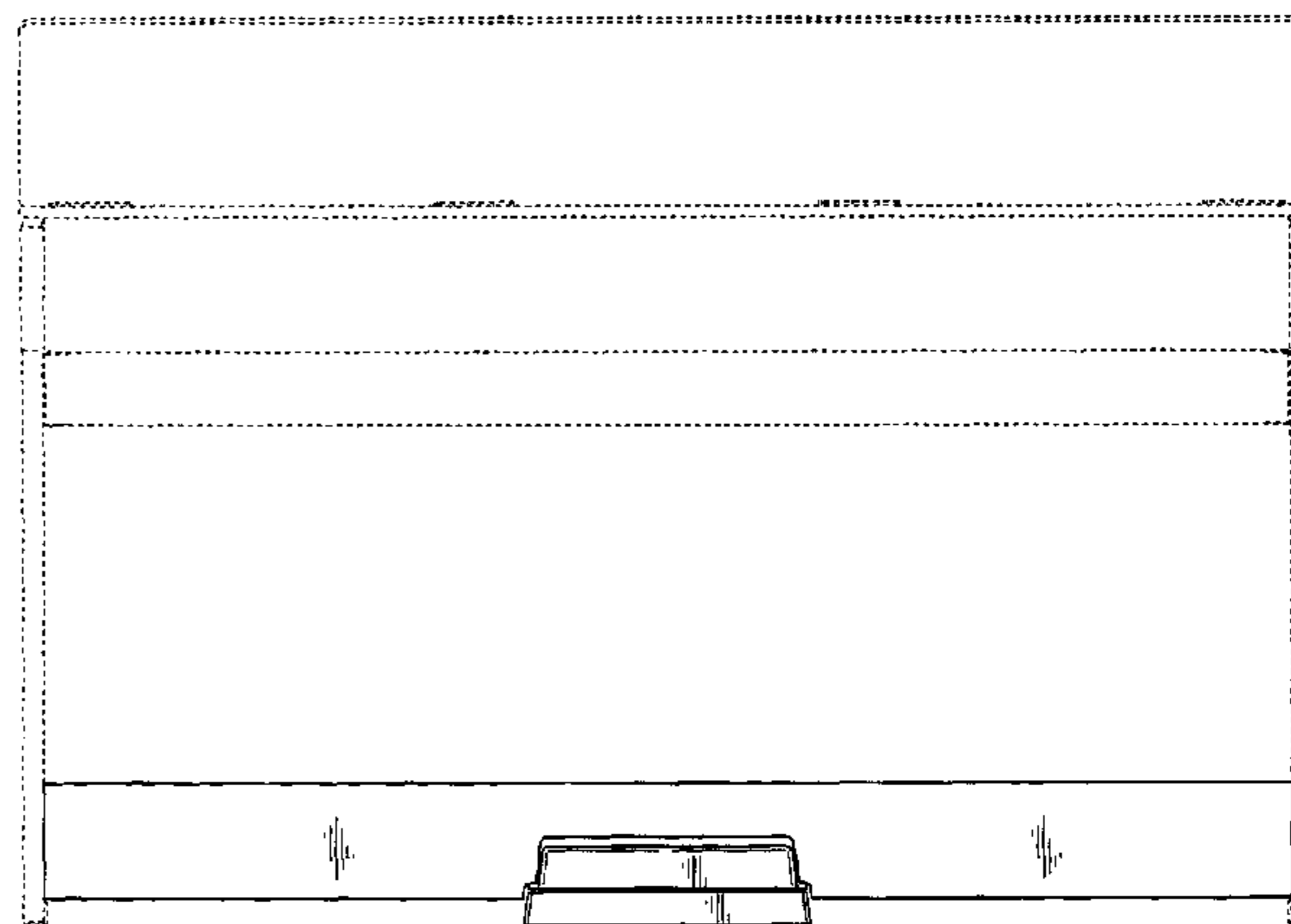
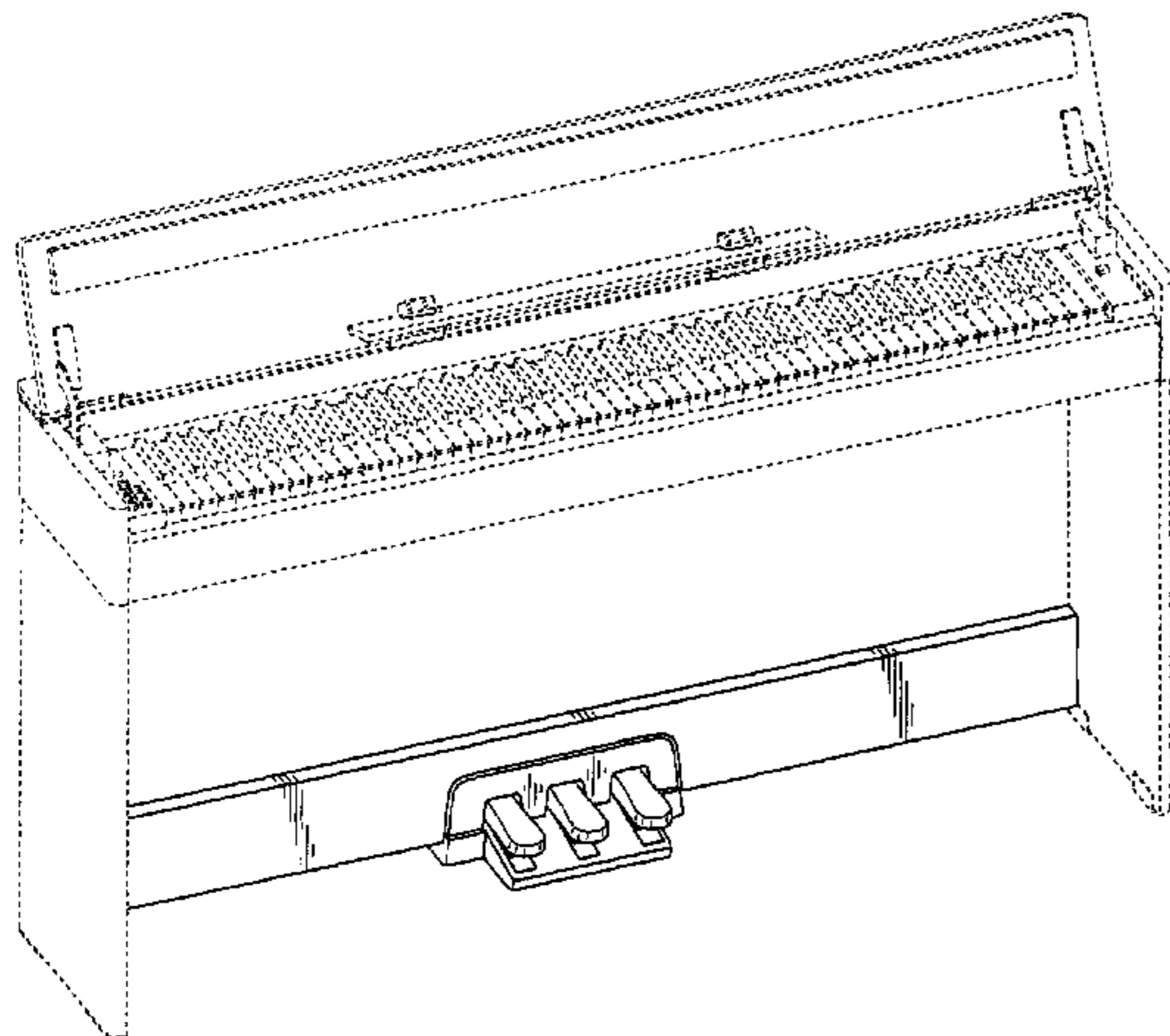
FIG. 7 is a rear elevational view thereof;

FIG. 8 is a front elevational view thereof, with a cover for the piano keys shown in a closed position; and,

FIG. 9 is a top plan view thereof, with the cover shown in a closed position.

The portions shown in broken lines are for illustrative purposes only and form no part of the claimed design.

1 Claim, 7 Drawing Sheets



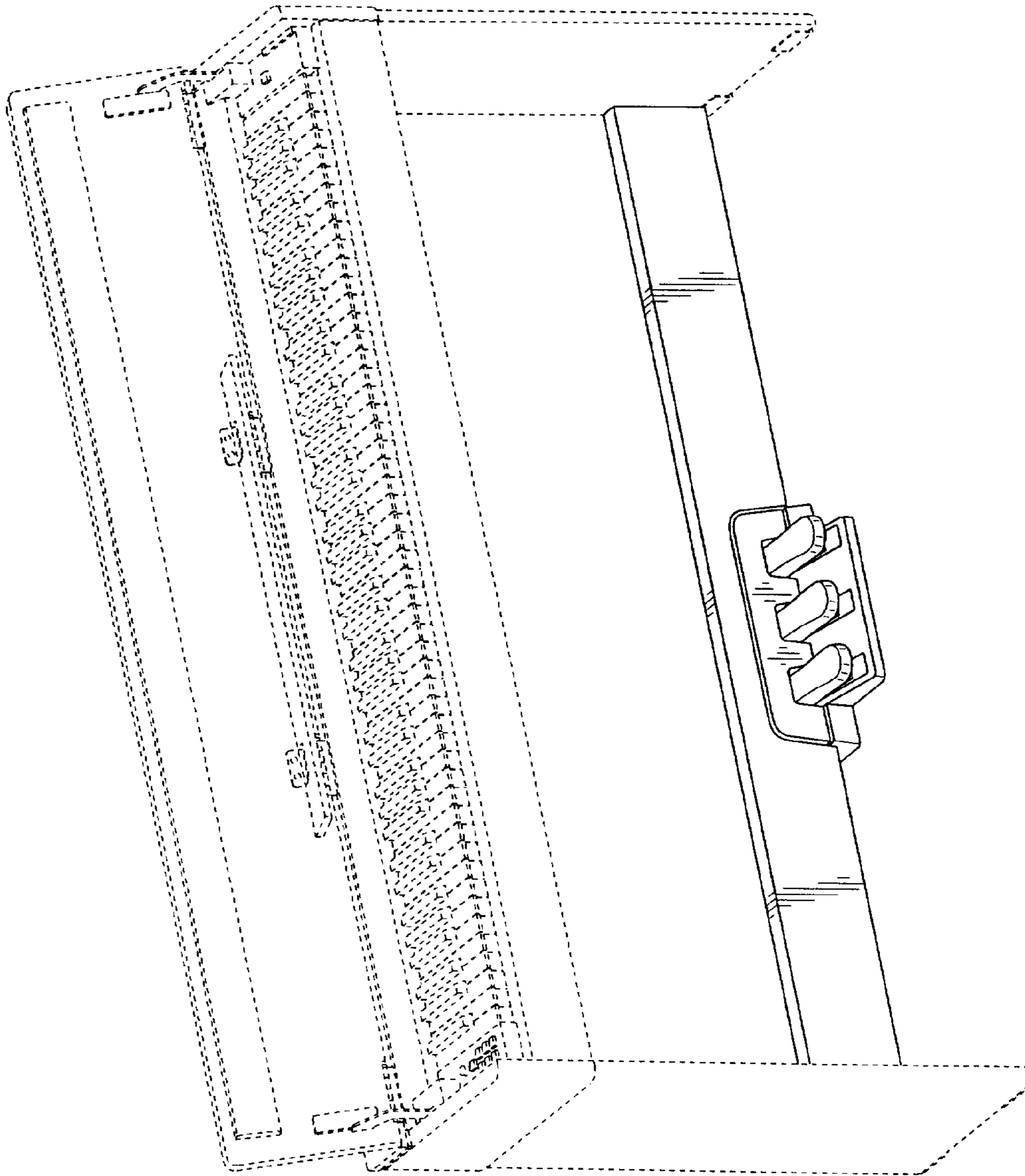


FIG. 1

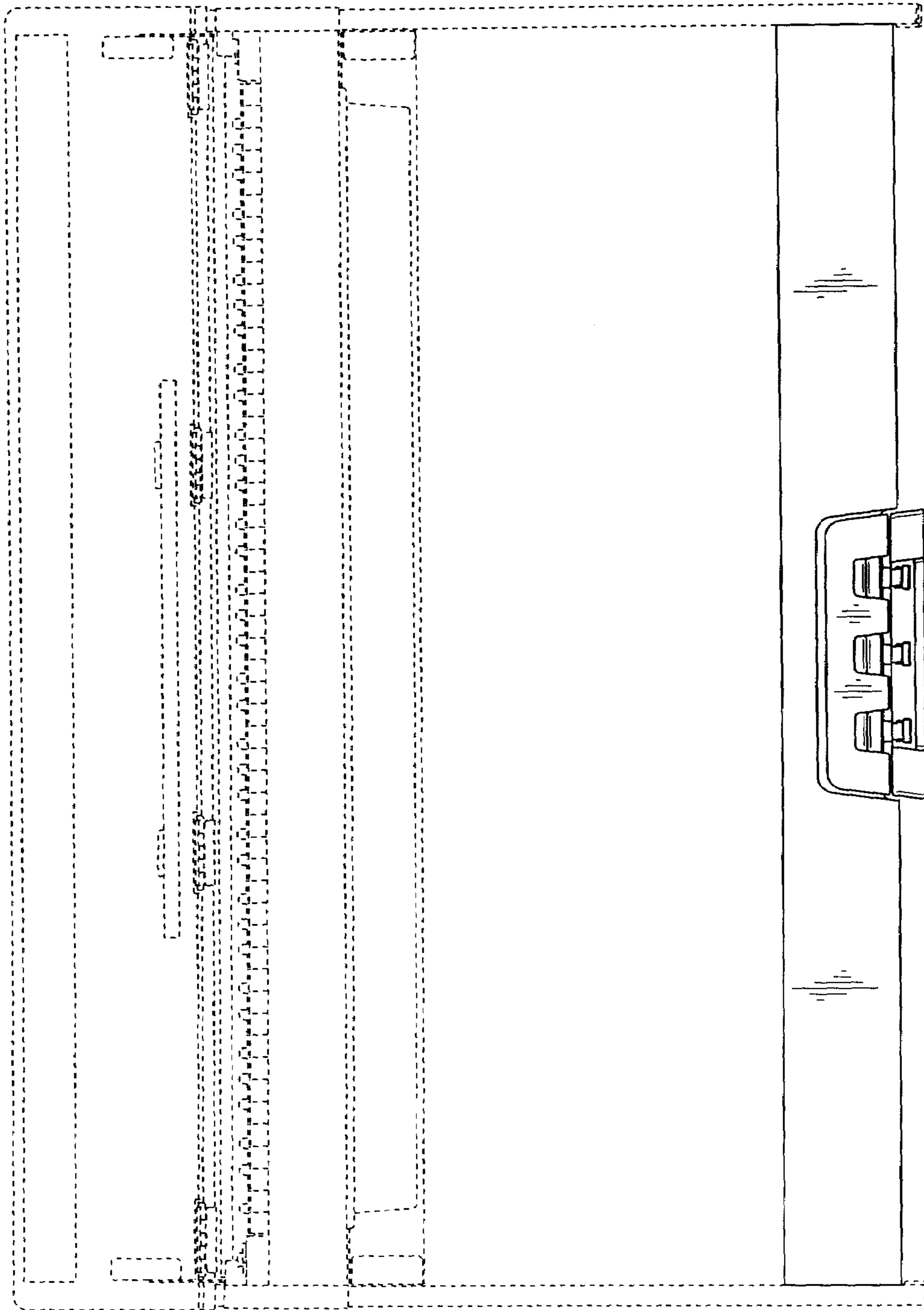


FIG. 2

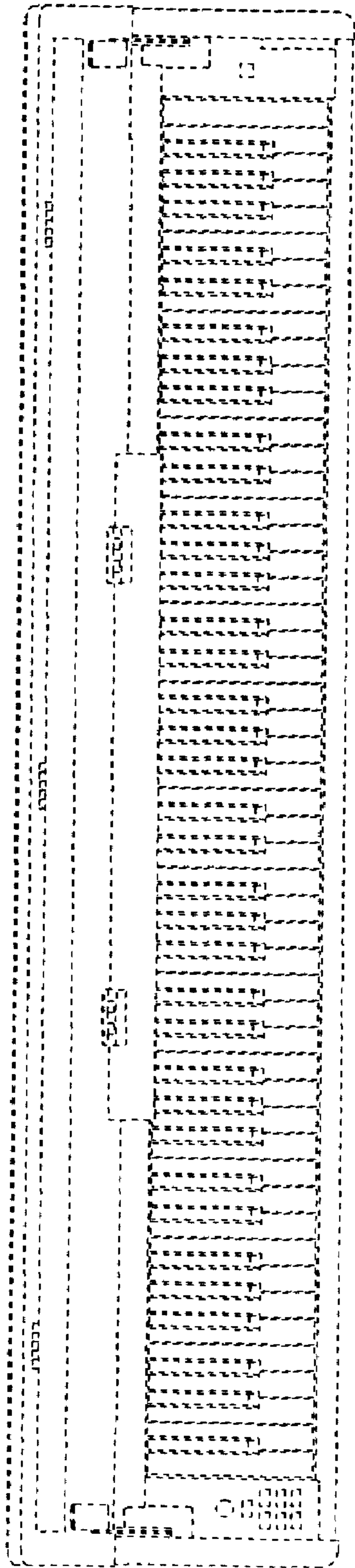


FIG. 3

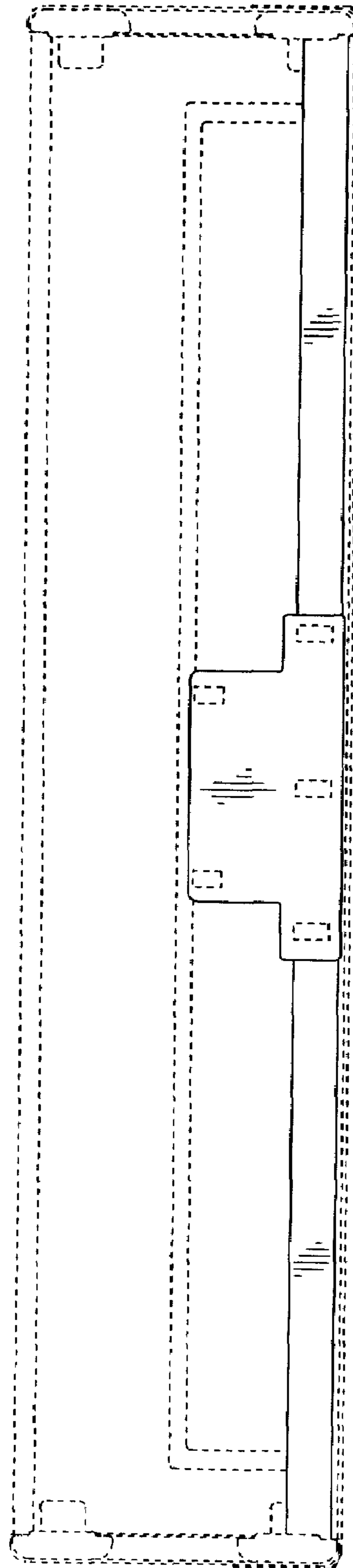


FIG. 4

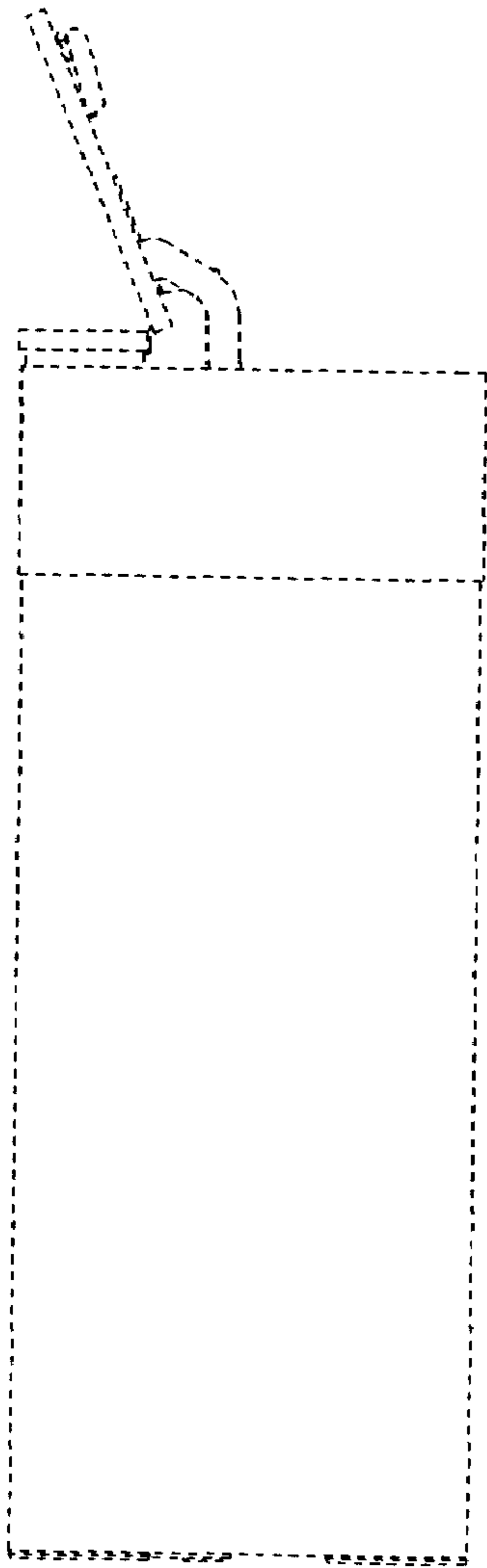


FIG. 5

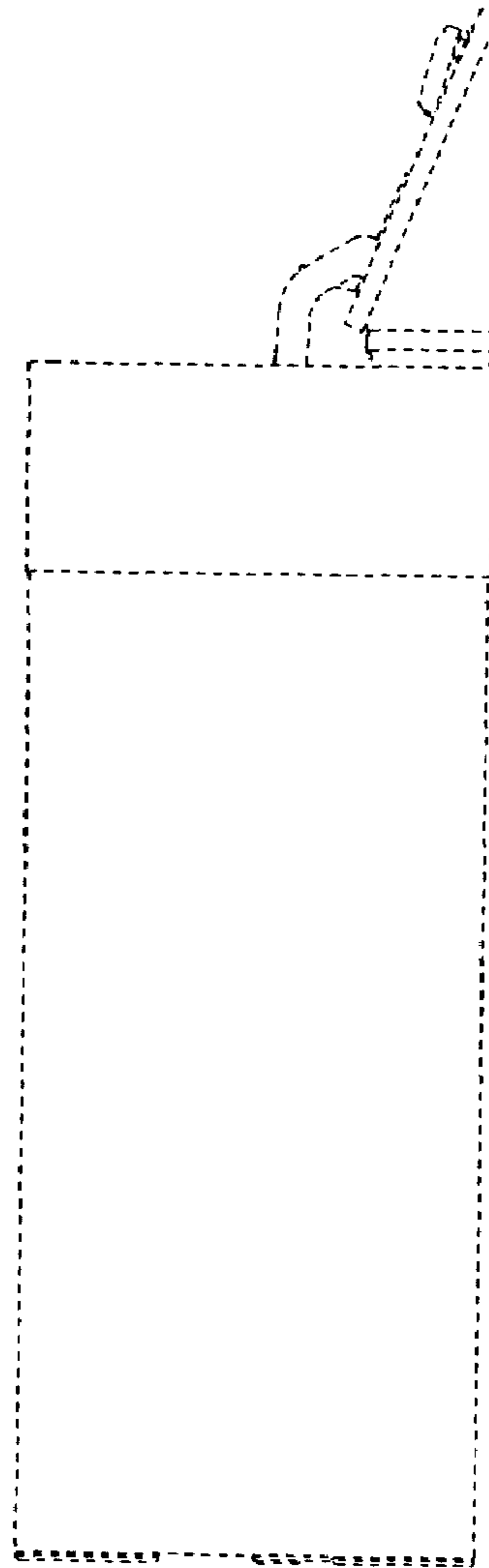


FIG. 6

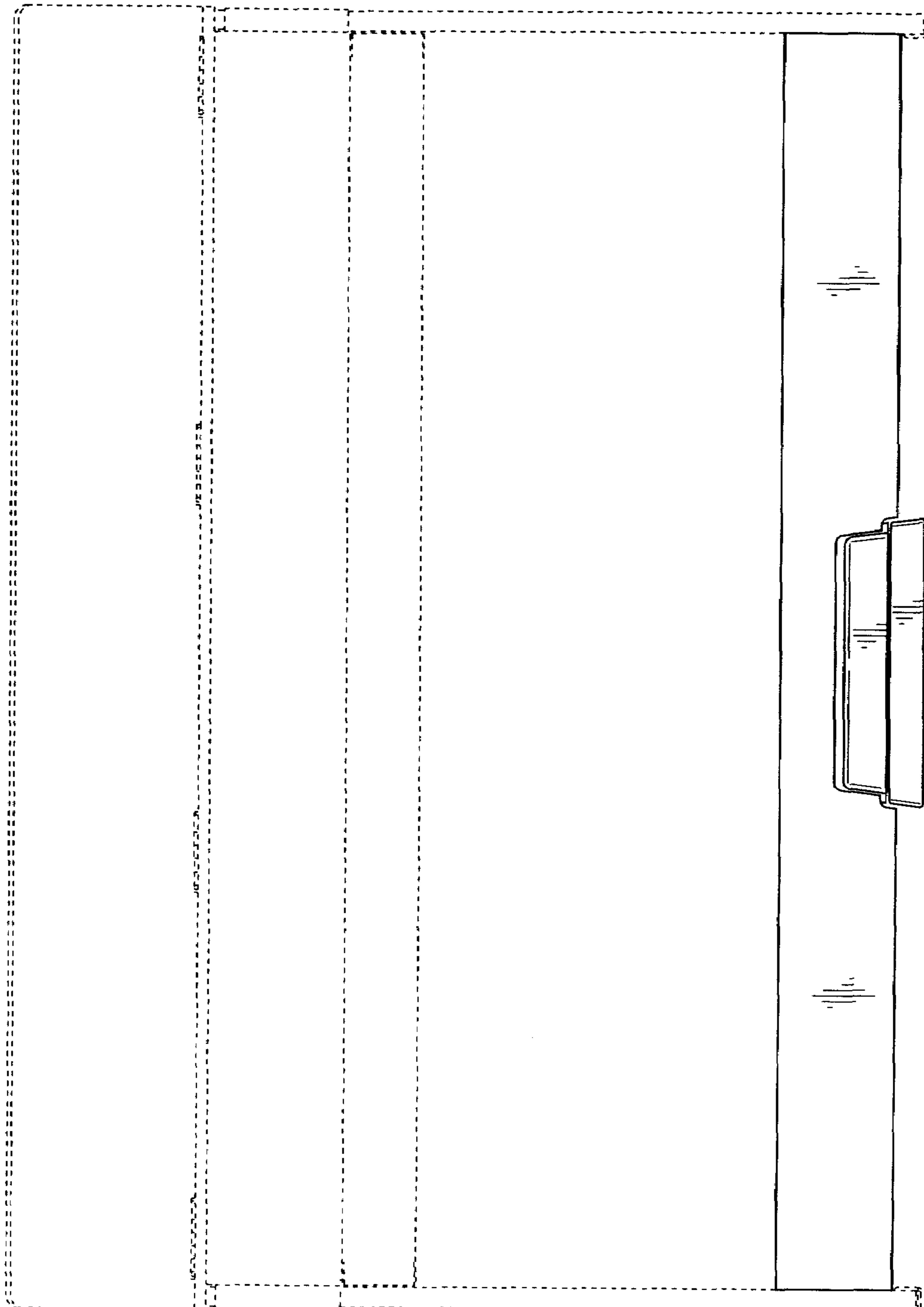


FIG. 7

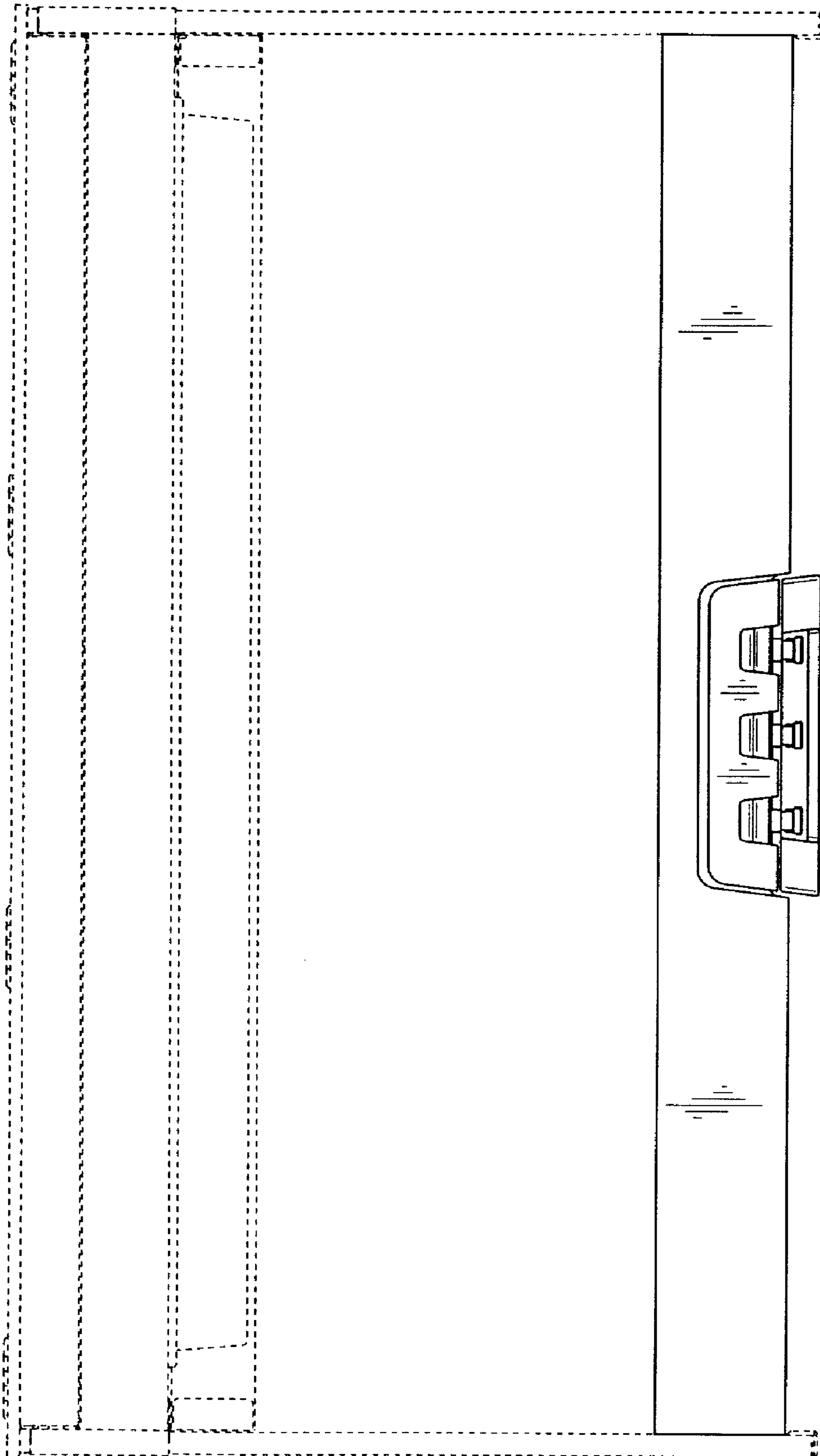


FIG. 8

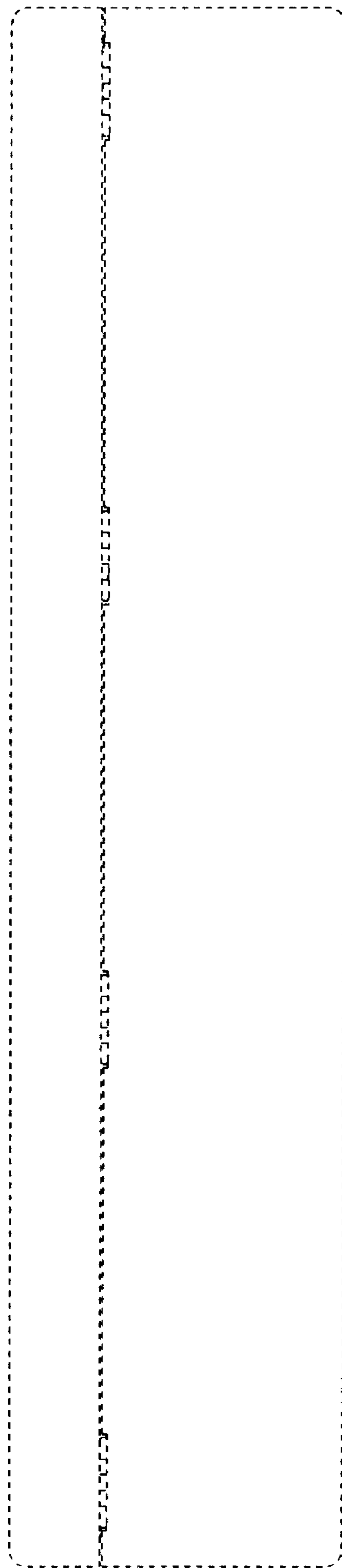


FIG. 9