



US00D565641S

(12) **United States Design Patent** (10) **Patent No.:** **US D565,641 S**
Katsumata et al. (45) **Date of Patent:** **** Apr. 1, 2008**

(54) **PIANO**

JP 2003302963 A * 10/2003

(75) Inventors: **Yoshihiro Katsumata**, Hamamatsu (JP); **Masaharu Ohno**, Hamamatsu (JP)

* cited by examiner

(73) Assignee: **Yamaha Corporation**, Shizuoka (JP)

Primary Examiner—Ian Simmons

(**) Term: **14 Years**

Assistant Examiner—R. Johnson

(21) Appl. No.: **29/281,924**

(74) *Attorney, Agent, or Firm*—Sughrue Mion, PLLC

(22) Filed: **Jul. 6, 2007**

(57) **CLAIM**

The ornamental design for a piano, as shown and described.

(30) **Foreign Application Priority Data**

Mar. 27, 2007 (JP) 2007-007750

DESCRIPTION

(51) **LOC (8) Cl.** **17-01**

(52) **U.S. Cl.** **D17/7**

(58) **Field of Classification Search** D17/1,
D17/2, 7, 8, 9; 84/13, 15, 17, 26, 72, 172,
84/174, 178, 184, 192, 225, 239, 240, 243,
84/423 R, 426, 429, 743–746; D21/409
See application file for complete search history.

FIG. 1 is a perspective view of the top, front, and right side of a piano showing our new design;

FIG. 2 is a front elevational view thereof;

FIG. 3 is top plan view thereof;

FIG. 4 is a left side elevational view thereof;

FIG. 5 is a right side elevational view thereof;

FIG. 6 is a rear elevational view thereof;

FIG. 7 is a bottom plan view thereof;

FIG. 8 is an enlarged partial perspective view thereof; and,

FIG. 9 is a perspective view thereof with the keyboard cover in an opened position.

The portions shown in broken lines are for illustrative purposes only and form no part of the claimed design.

The broken lines, which define the bounds of the claimed design, form no part thereof.

(56) **References Cited**

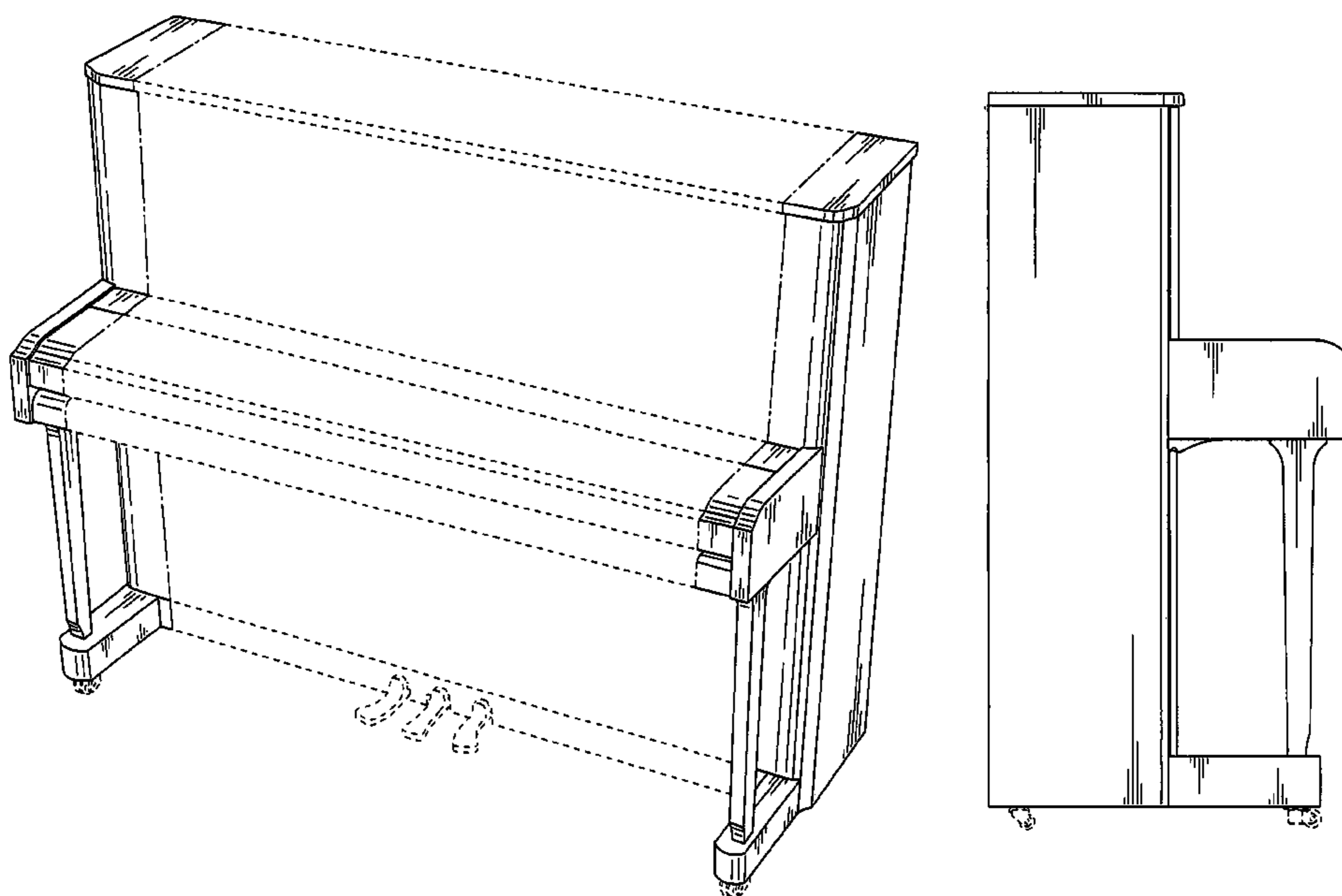
U.S. PATENT DOCUMENTS

- D48,724 S * 3/1916 Kavanaugh et al. D17/7
- D48,728 S * 3/1916 Kavanaugh et al. D17/7
- D56,973 S * 1/1921 Kavanaugh D17/7
- D70,427 S * 6/1926 Hurst D17/7
- D160,106 S * 9/1950 Millington D17/7
- 3,248,989 A * 5/1966 Schroth 84/177
- 4,044,644 A * 8/1977 Mussulman 84/207
- 4,220,347 A * 9/1980 Huntington 280/79.11
- 5,920,019 A * 7/1999 Inoue 84/179

FOREIGN PATENT DOCUMENTS

JP 09106282 A * 4/1997

1 Claim, 8 Drawing Sheets



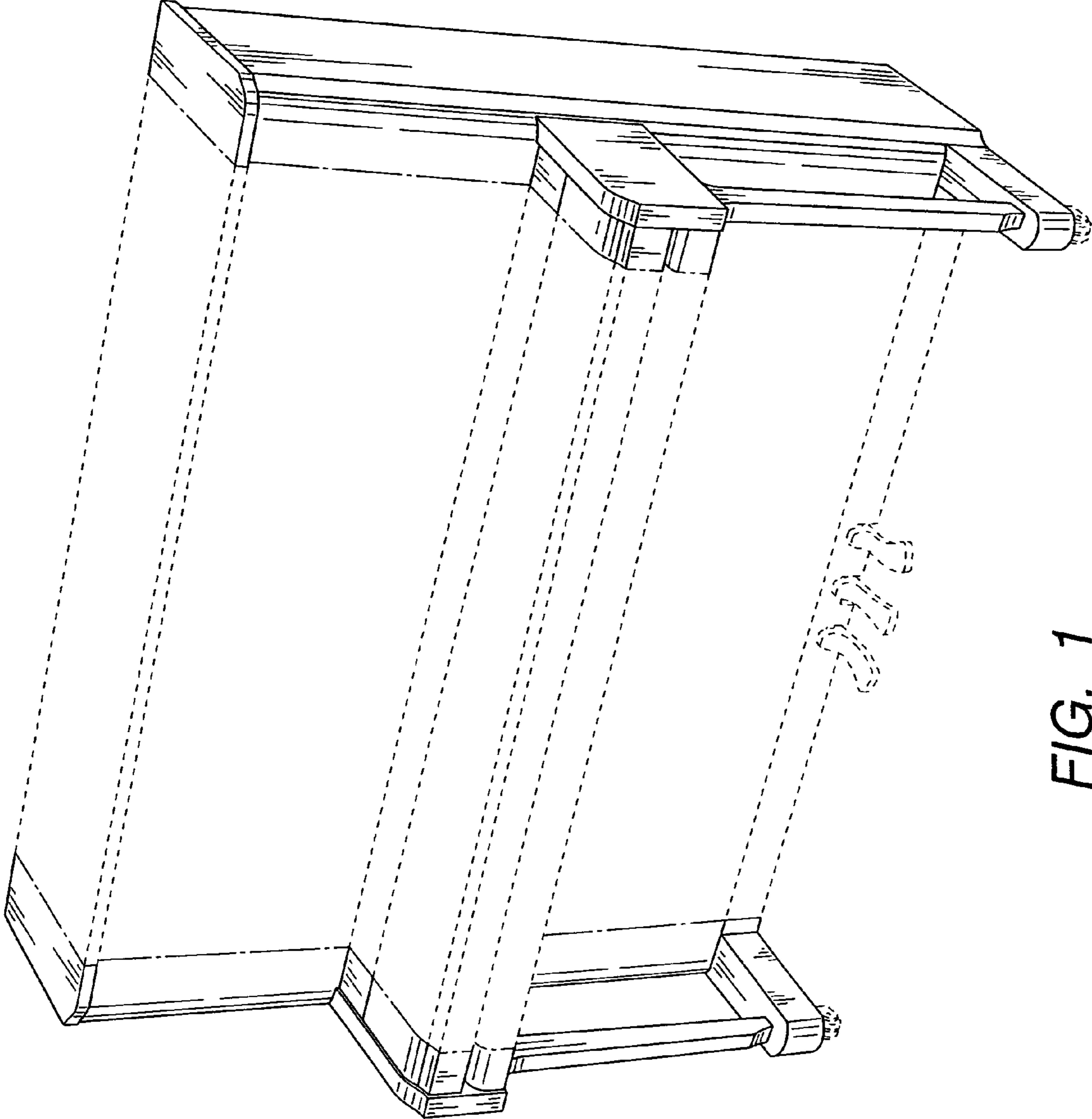


FIG. 1

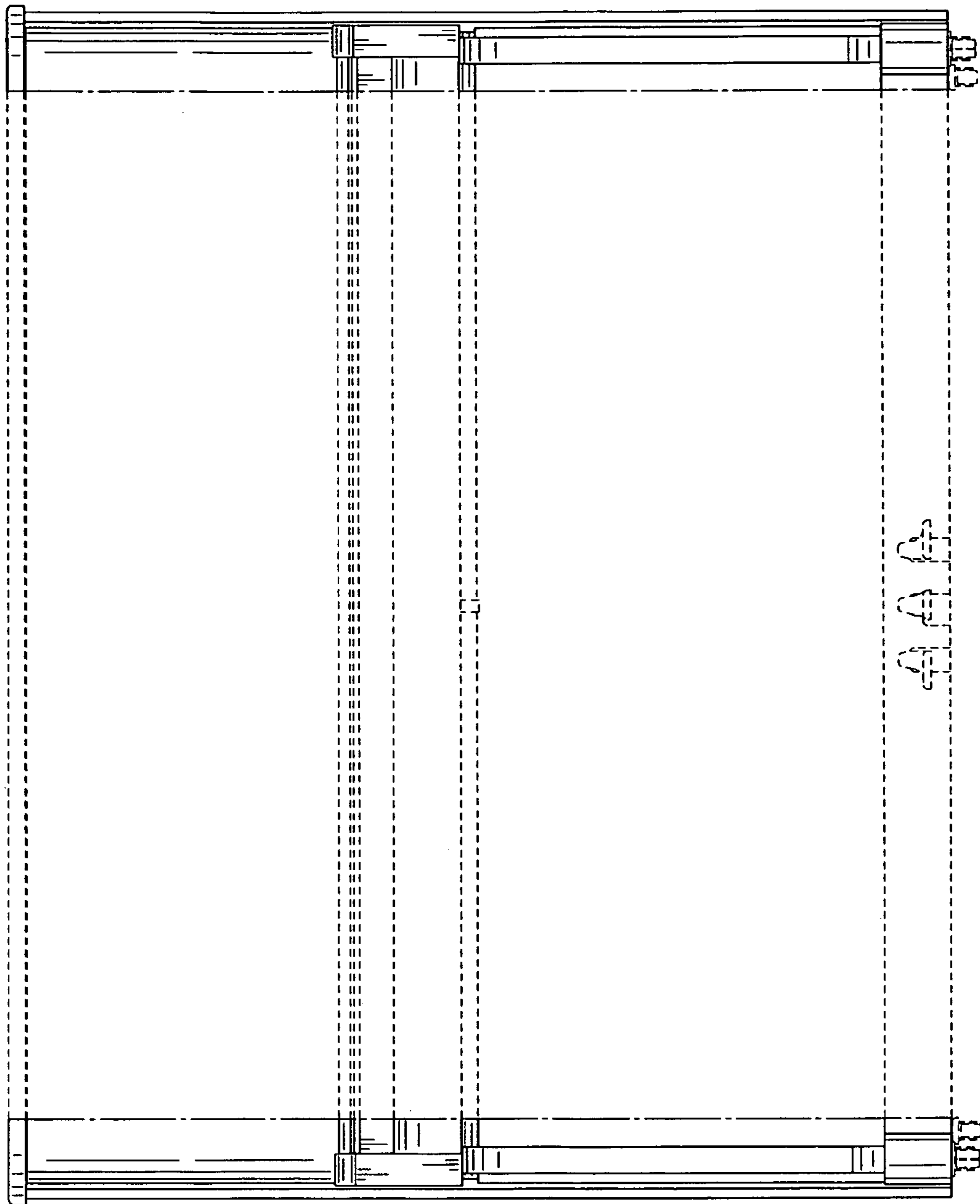


FIG. 2

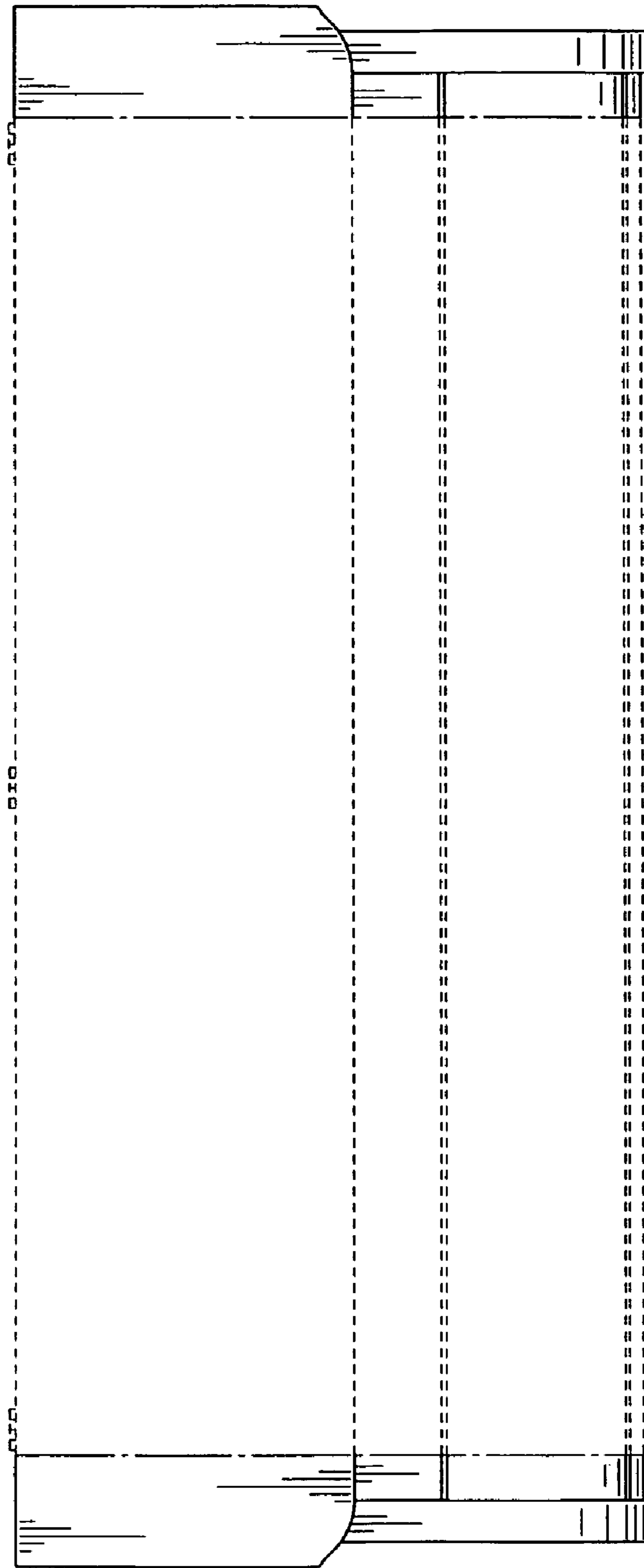


FIG. 3

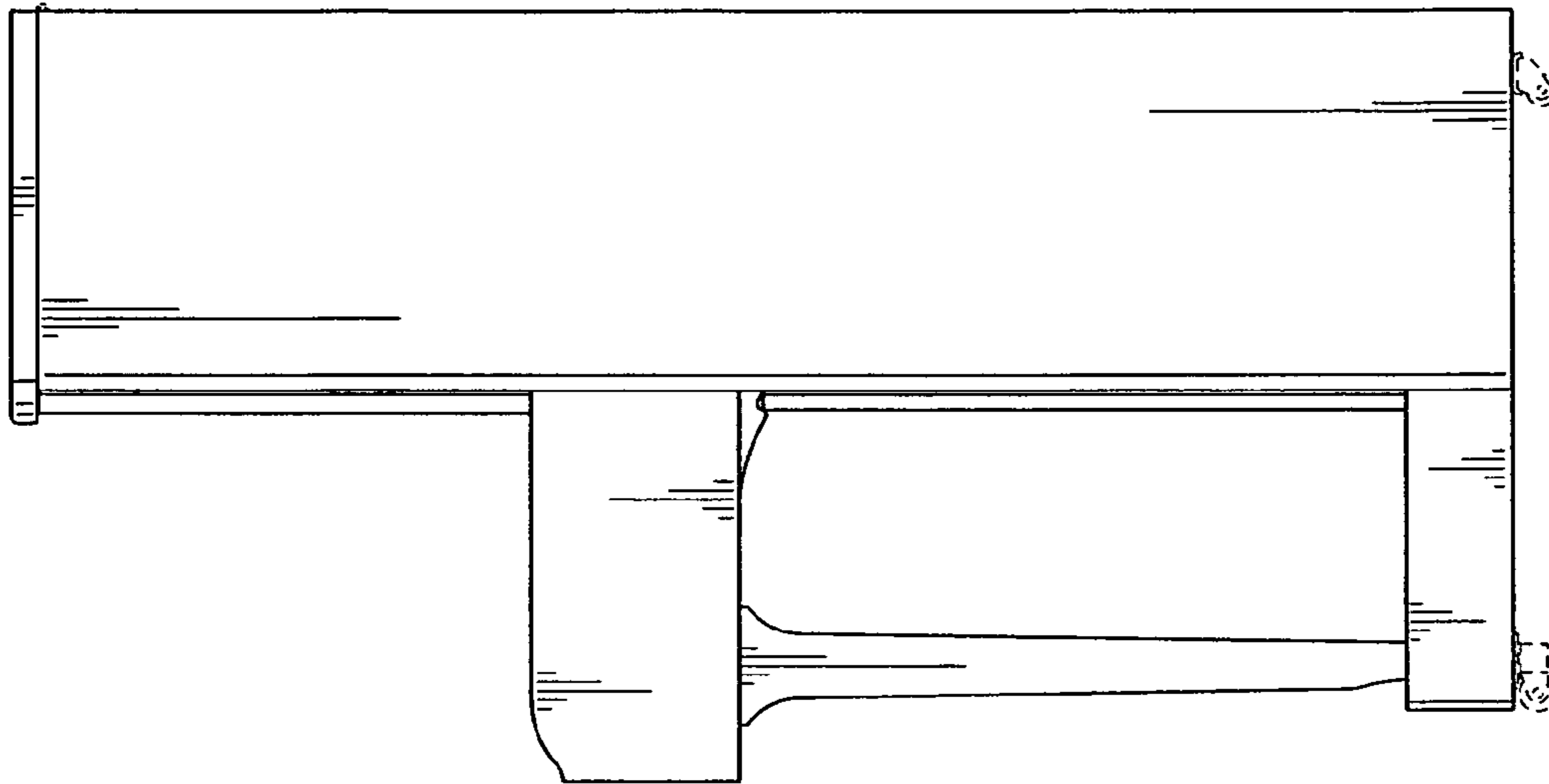


FIG. 5

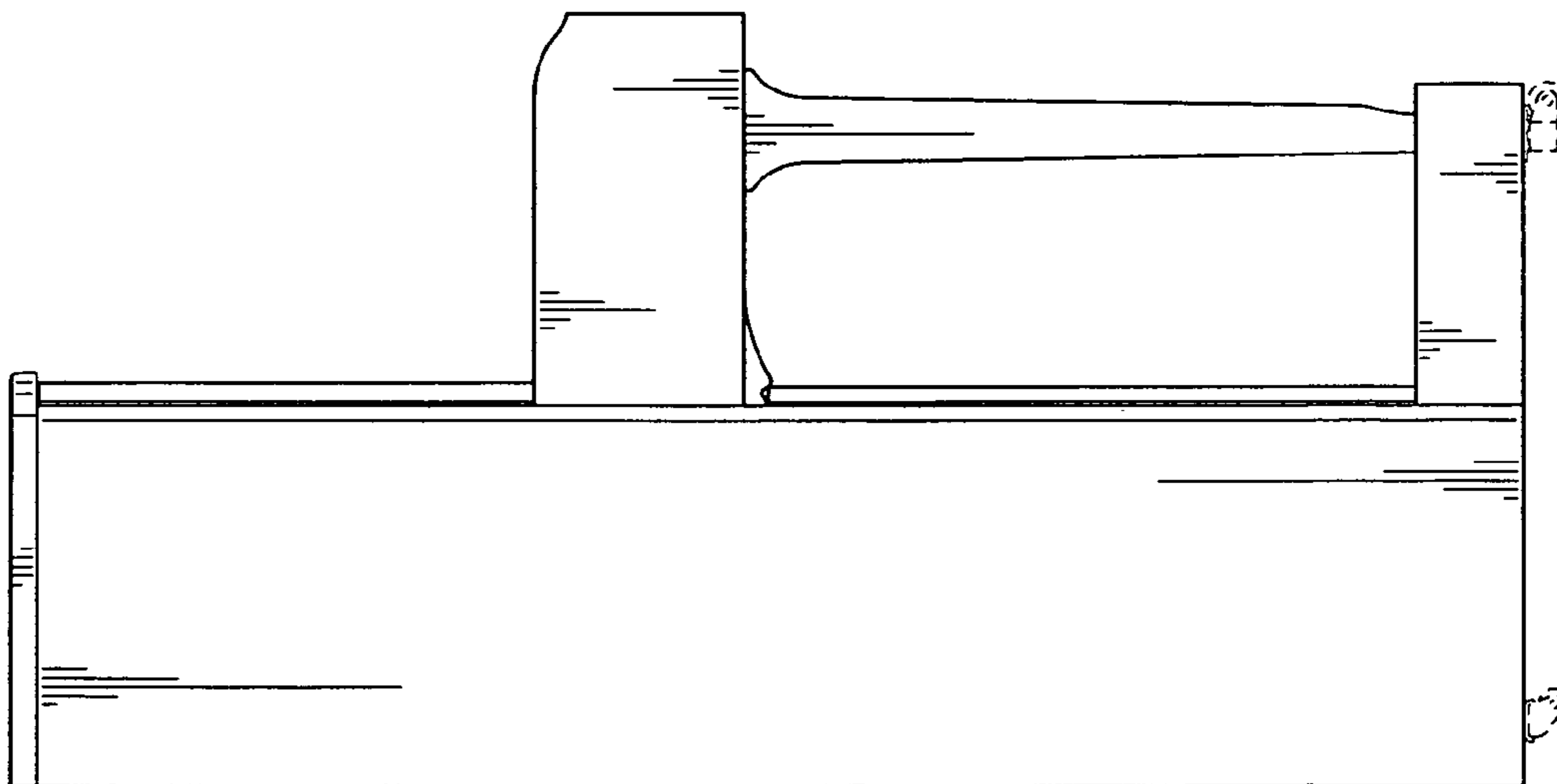


FIG. 4

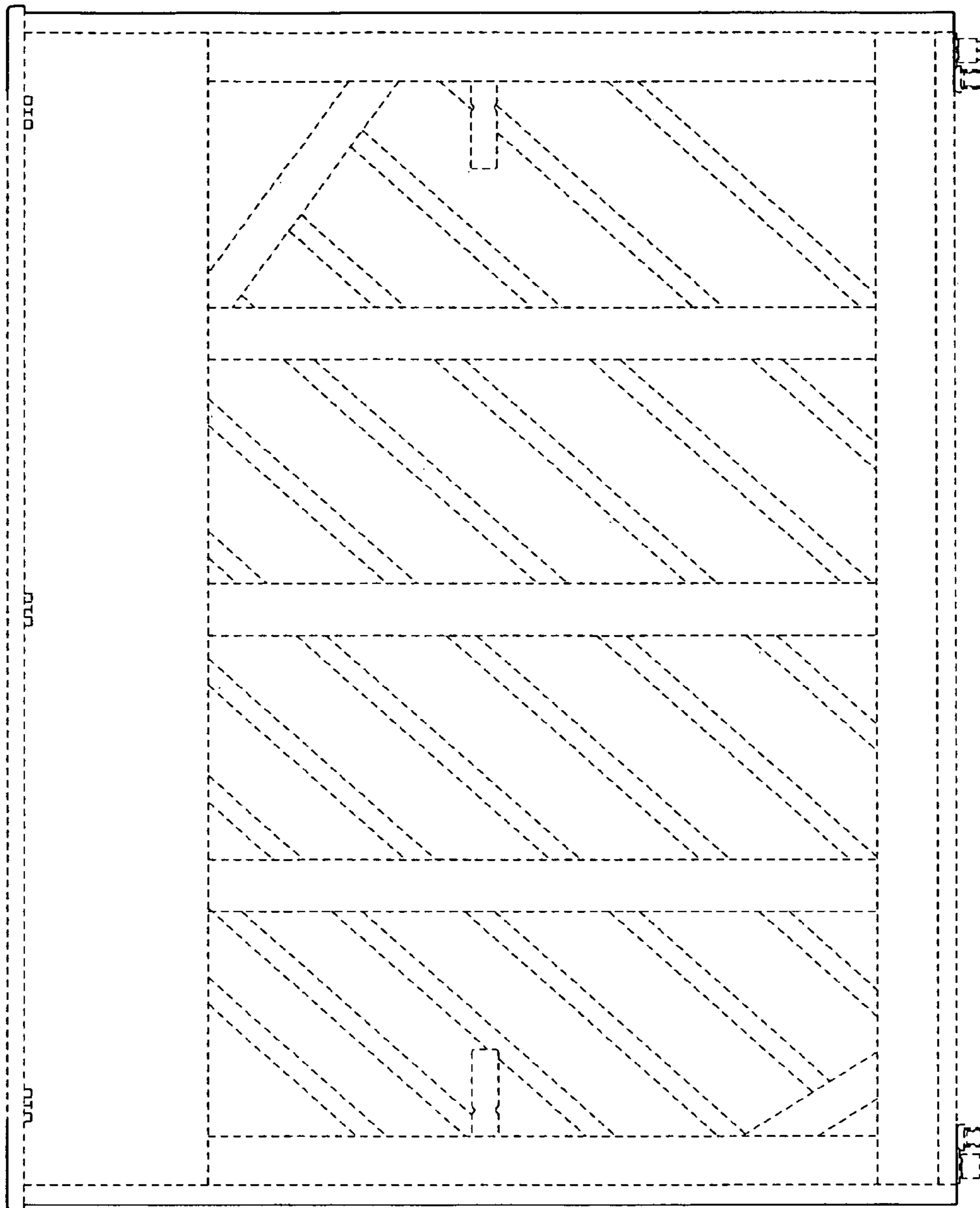


FIG. 6

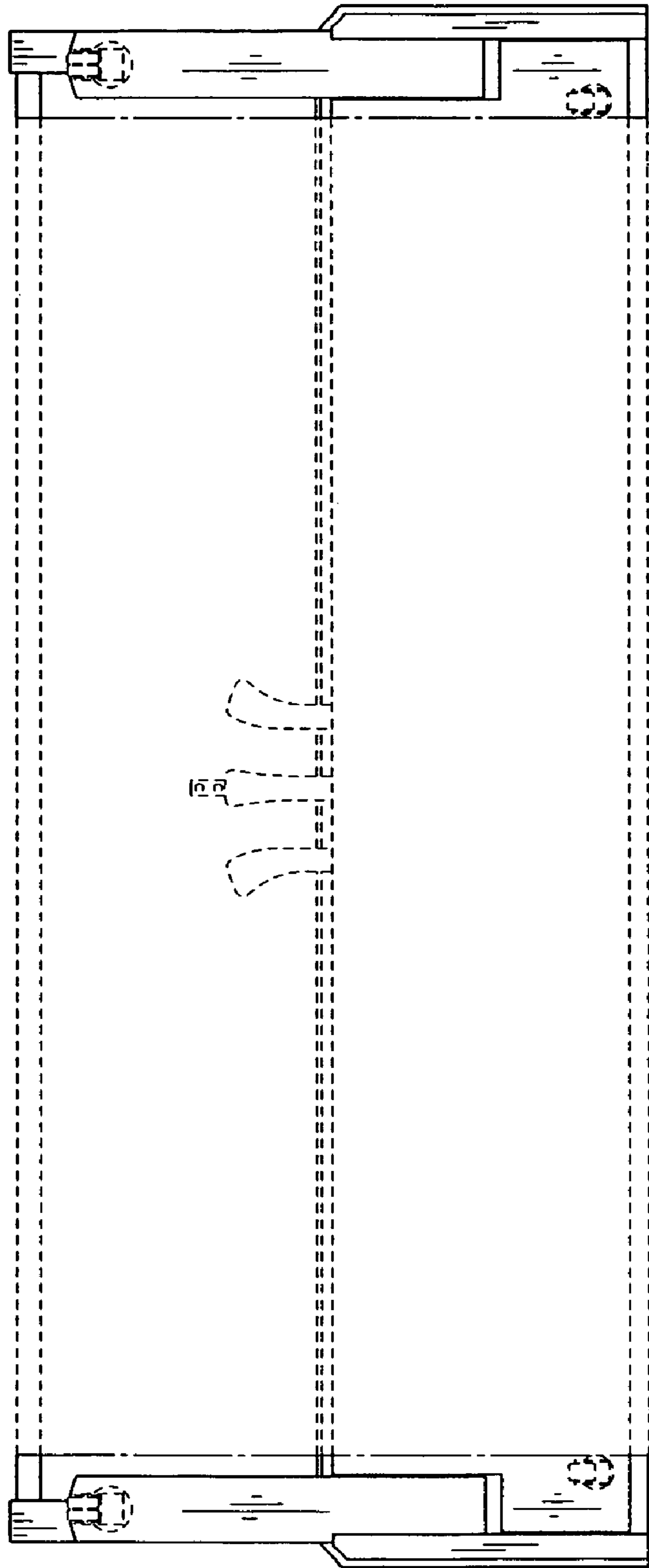


FIG. 7

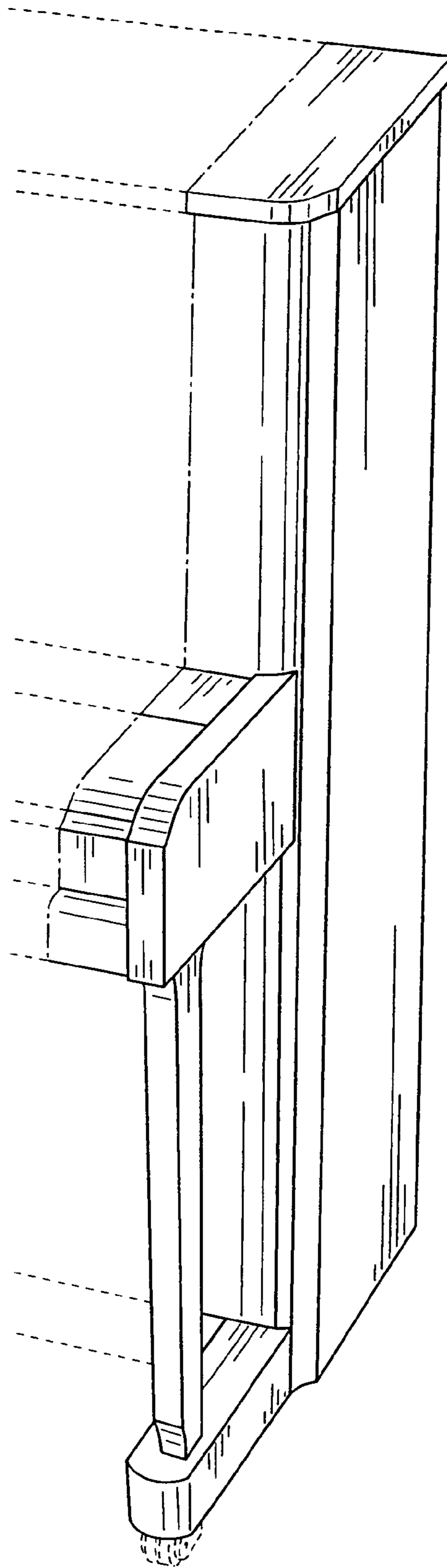


FIG. 8

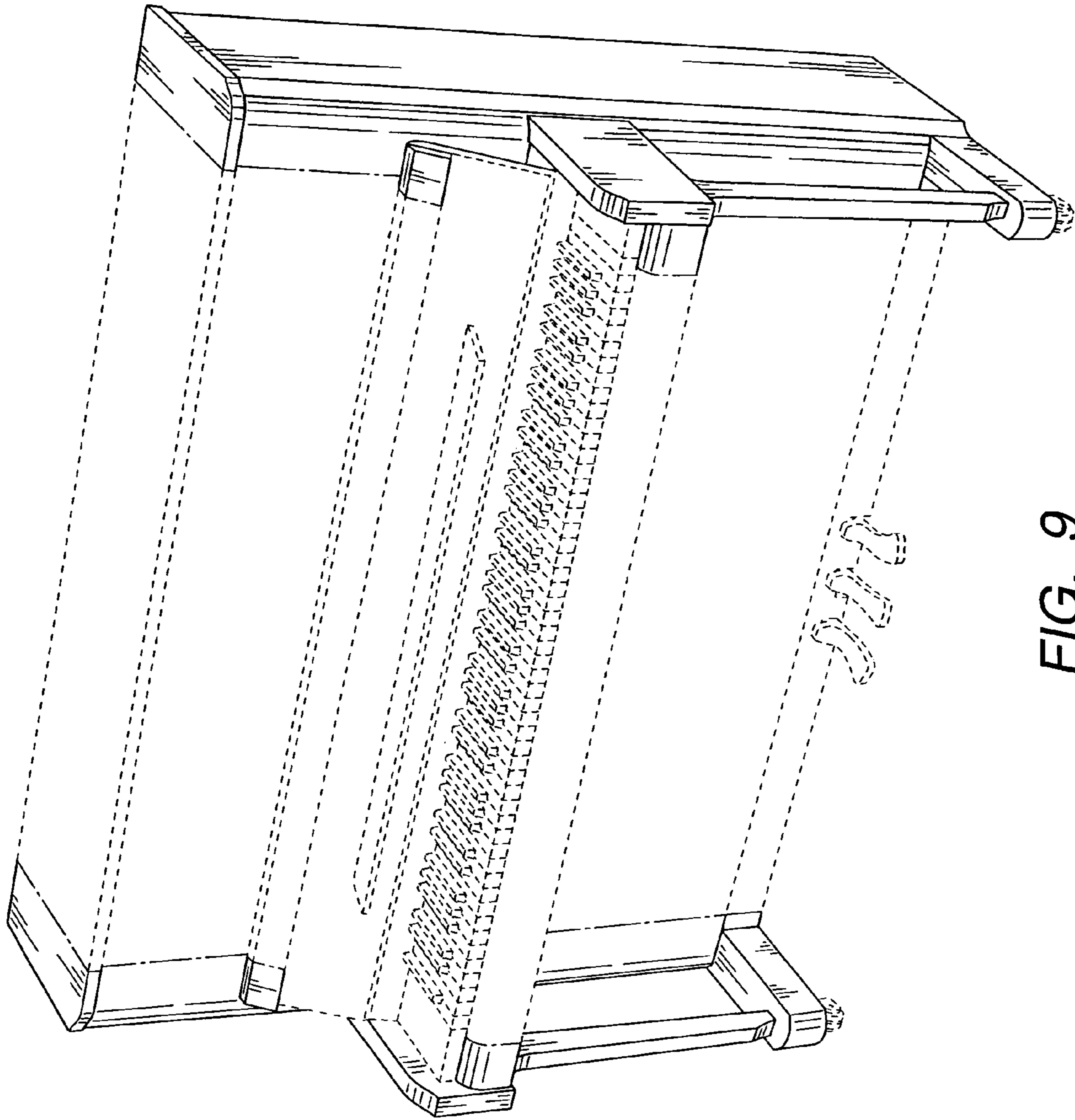


FIG. 9