



US00D565636S

(12) **United States Design Patent**
Cheung

(10) **Patent No.:** **US D565,636 S**

(45) **Date of Patent:** **** Apr. 1, 2008**

(54) **CLIP-ON ACCESSORY FOR EYEGLASSES**

(75) Inventor: **Hing Yuen Cheung**, New Territories (CN)

(73) Assignee: **Chuen Fung Spectacles Services Manufactory Limited**, Tseung Kwan O, New Territories, Hong Kong (CN)

(**) Term: **14 Years**

(21) Appl. No.: **29/239,856**

(22) Filed: **Oct. 5, 2005**

(51) **LOC (8) Cl.** **16-06**

(52) **U.S. Cl.** **D16/330**

(58) **Field of Classification Search** D16/101, D16/300-330, 332-338; D29/109-110; D24/110.2; 351/41, 44, 51-52, 61, 62, 92, 351/103-111, 114-119, 121-123, 130; 2/434-437, 2/441, 448

See application file for complete search history.

(56) **References Cited**

U.S. PATENT DOCUMENTS

2,269,037	A *	1/1942	Oker	351/110
D150,385	S *	7/1948	Wells	D16/341
D150,387	S *	7/1948	Wells	D16/341
2,589,103	A *	3/1952	Lindblom	29/20
2,596,572	A *	5/1952	Lindblom	351/52
D167,526	S *	8/1952	Murphy	D16/341
D429,752	S *	8/2000	Polland	D16/315
D537,892	S *	3/2007	Moses	D21/662
D539,828	S *	4/2007	Hester	D16/315
D540,369	S *	4/2007	Mouclier	D16/315
2005/0052611	A1 *	3/2005	Cheng	351/47

* cited by examiner

Primary Examiner—T. Chase Nelson

Assistant Examiner—Barbara B Lohr

(74) *Attorney, Agent, or Firm*—Alix, Yale & Ristas, LLP

(57) **CLAIM**

The ornamental design for the clip-on accessory for eyeglasses, as shown and described.

DESCRIPTION

FIG. 1 is a front perspective view of the clip-on accessory for eyeglasses showing my new design;

FIG. 2 is a rear perspective view thereof in which the clip-on accessory for eyeglasses has been shown dismounted from the broken line eyeglass structure it was shown attached to in FIG. 1. A broken line arrow shows the direction of attachment of the claimed design to the eyeglass structure;

FIG. 3 is an enlarged front view thereof;

FIG. 4 is an enlarged right side view thereof;

FIG. 5 is an enlarged left side view thereof;

FIG. 6 is an enlarged rear view thereof;

FIG. 7 is a further enlarged rear perspective view thereof;

FIG. 8 is a further enlarged front view thereof;

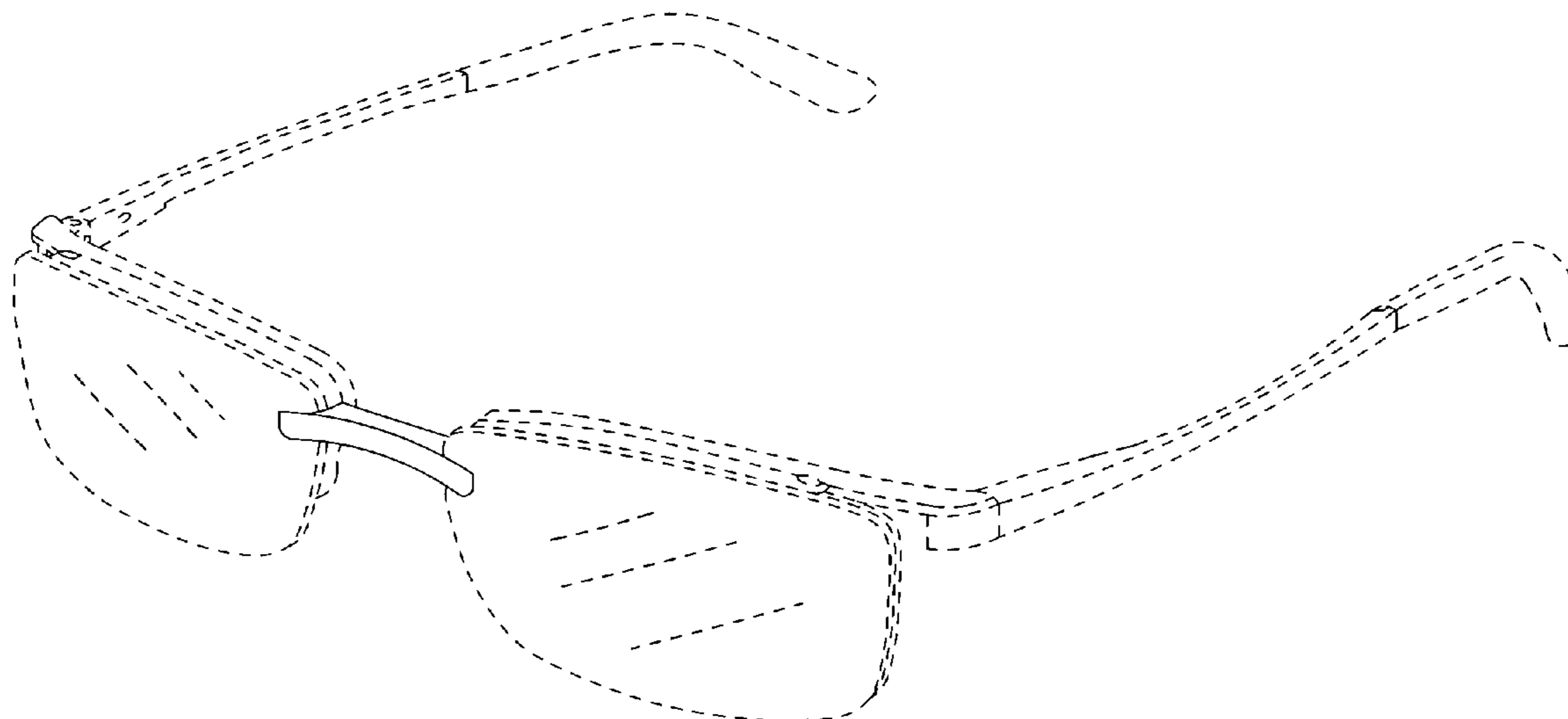
FIG. 9 is a further enlarged top plan view thereof;

FIG. 10 is a further enlarged bottom plan view thereof; and,

FIG. 11 is a further enlarged rear view thereof.

The broken line showing of environmental structure, or portions thereof; broken lines depicting the lines at which partial views of the environmental structure are cut off; and the broken line arrow showing the attachment of the design to environmental structure are all for illustrative purposes only and form no part of the claimed design.

1 Claim, 6 Drawing Sheets



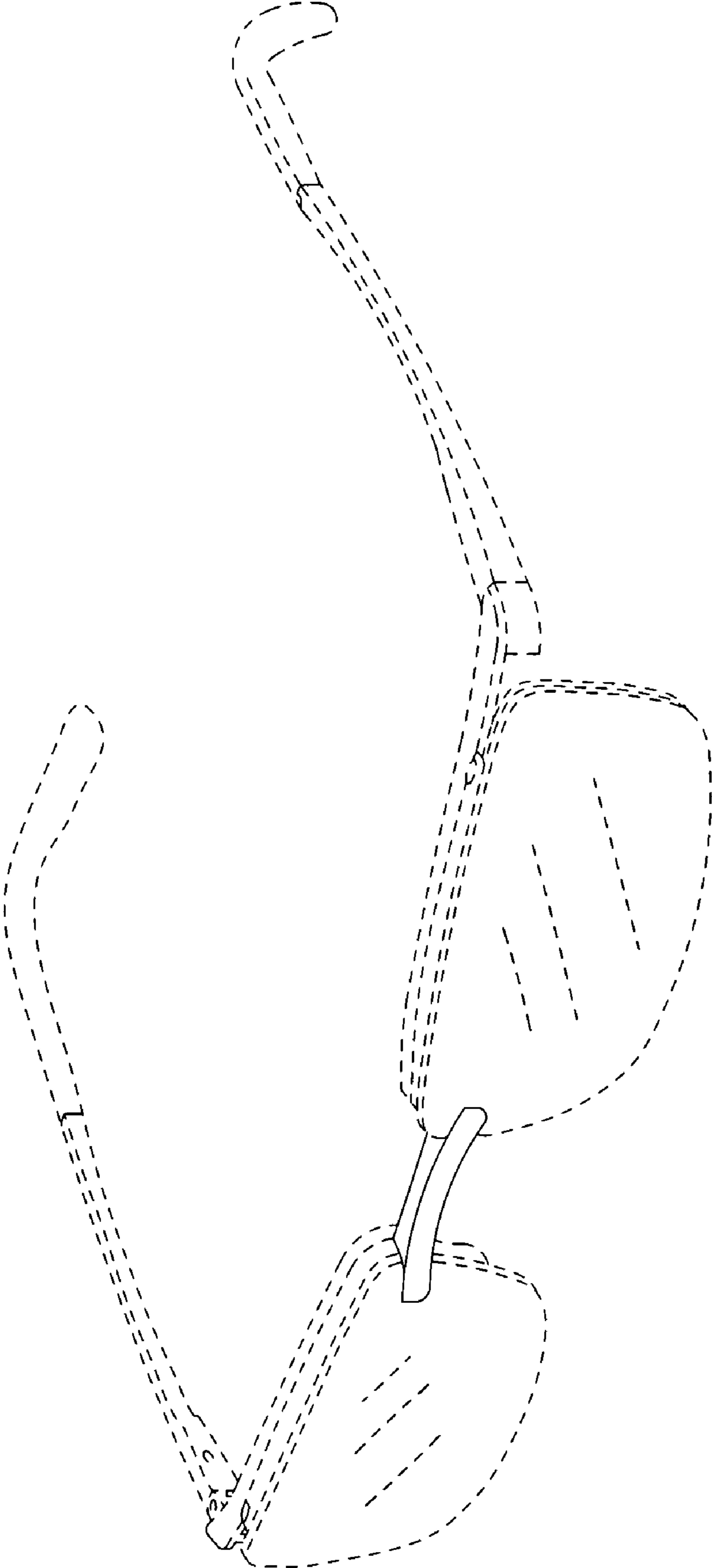


FIG. 1

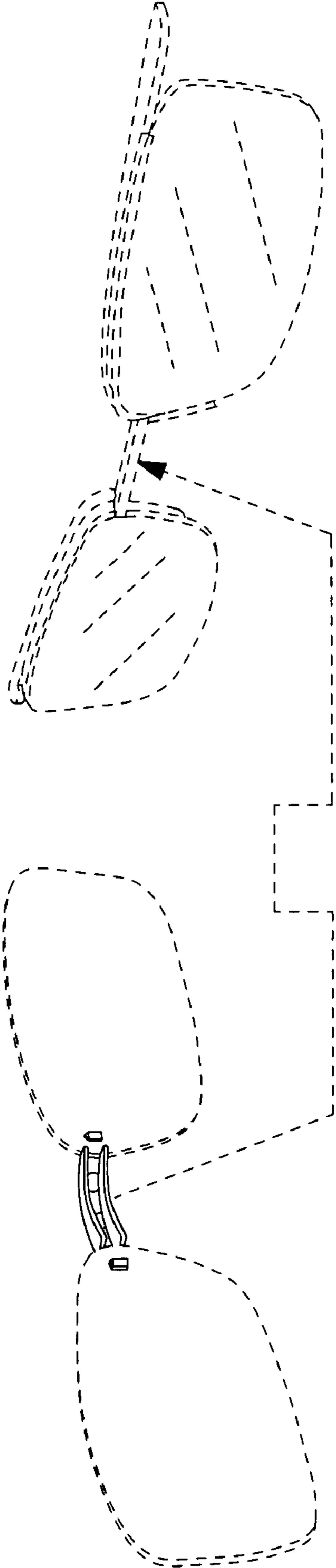


FIG. 2

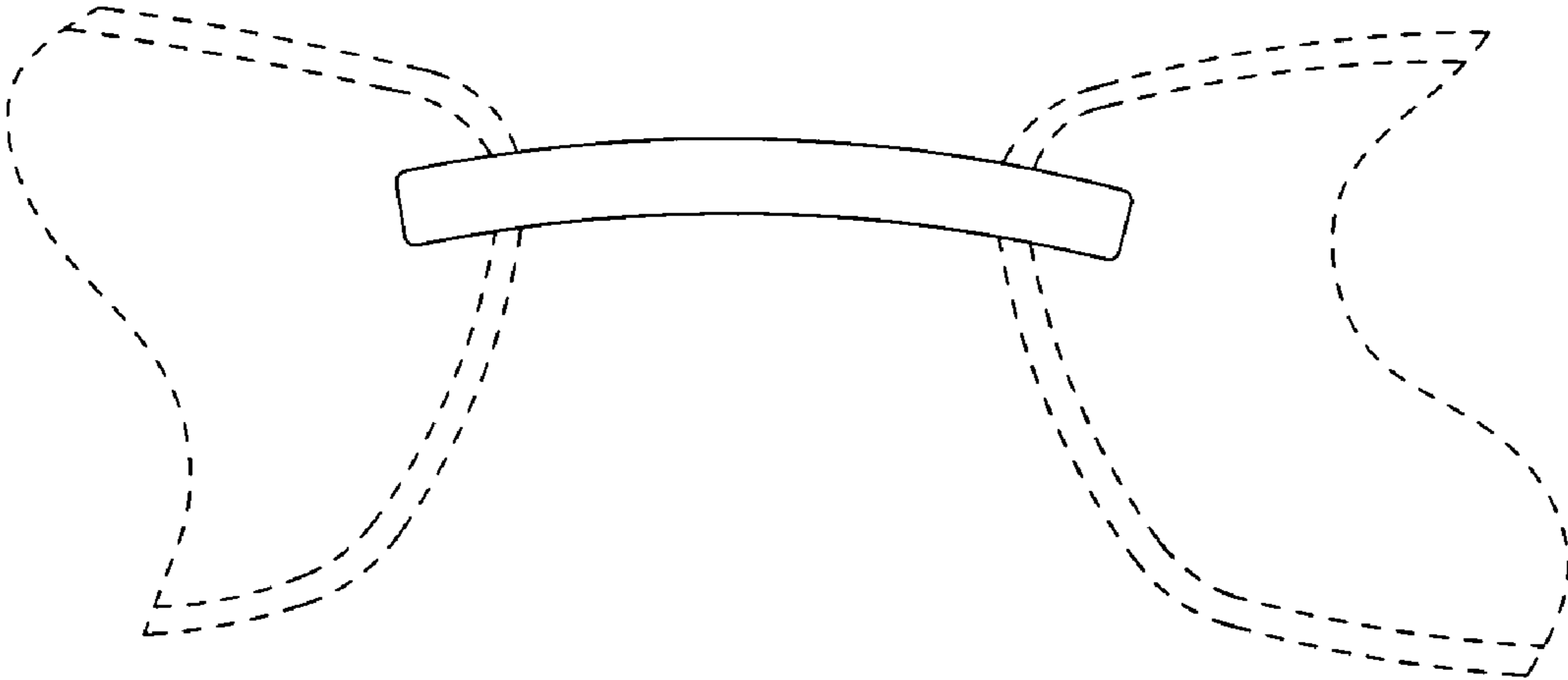


FIG. 3

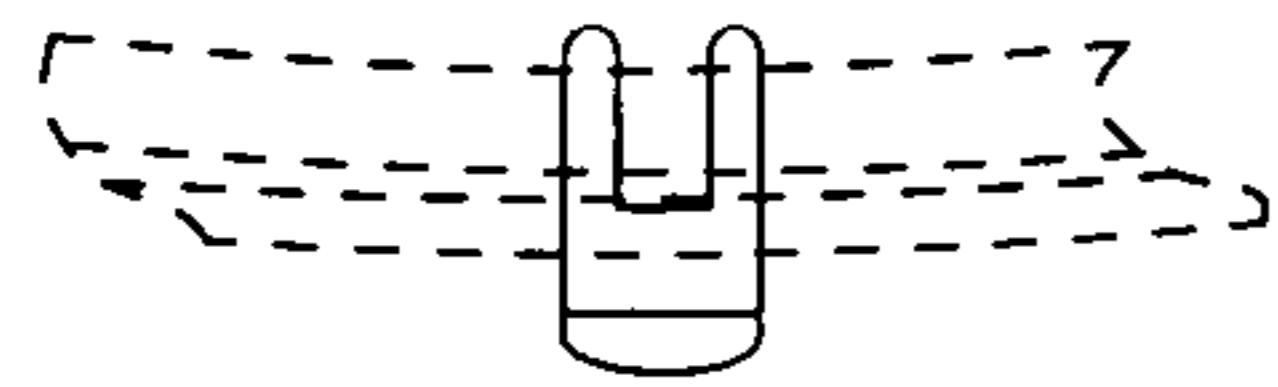


FIG. 4

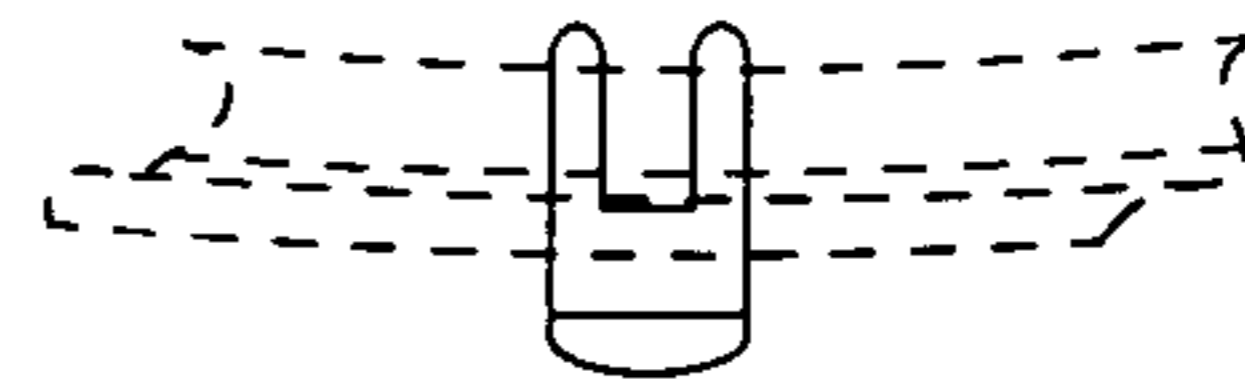


FIG. 5

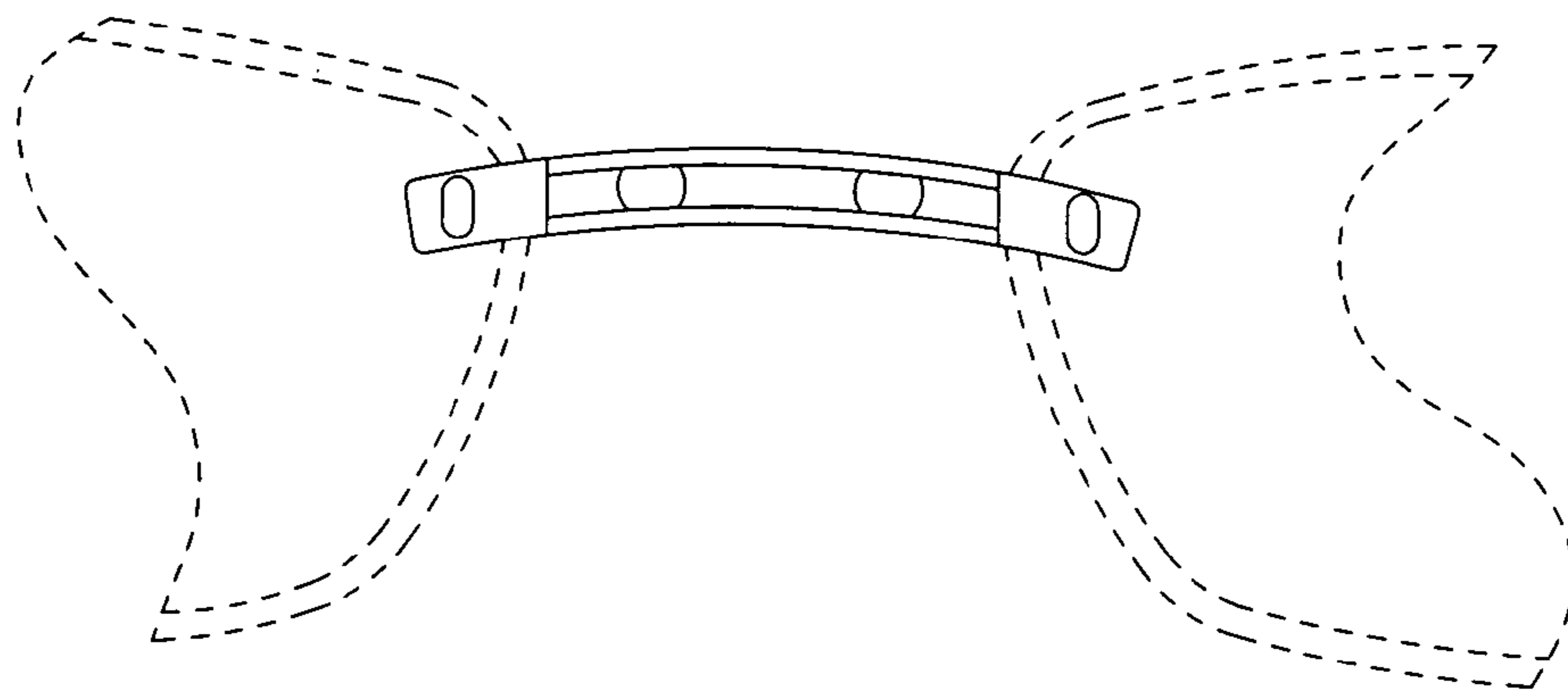


FIG. 6

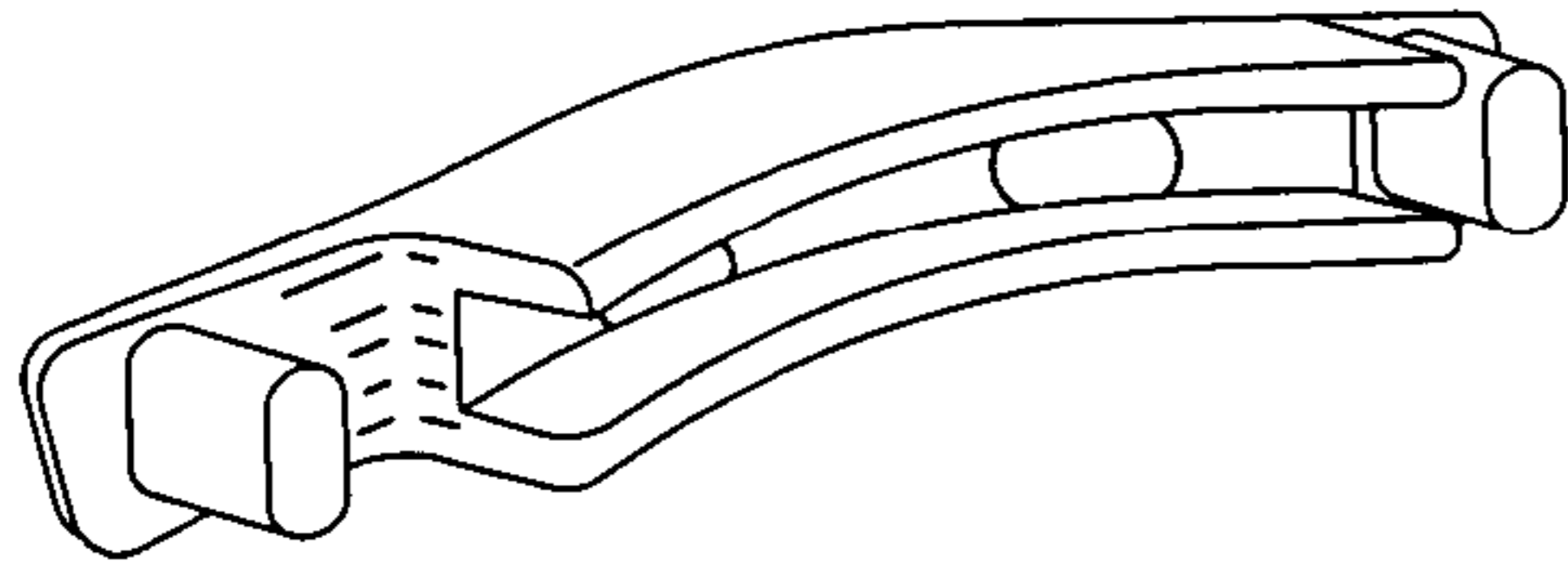


FIG. 7

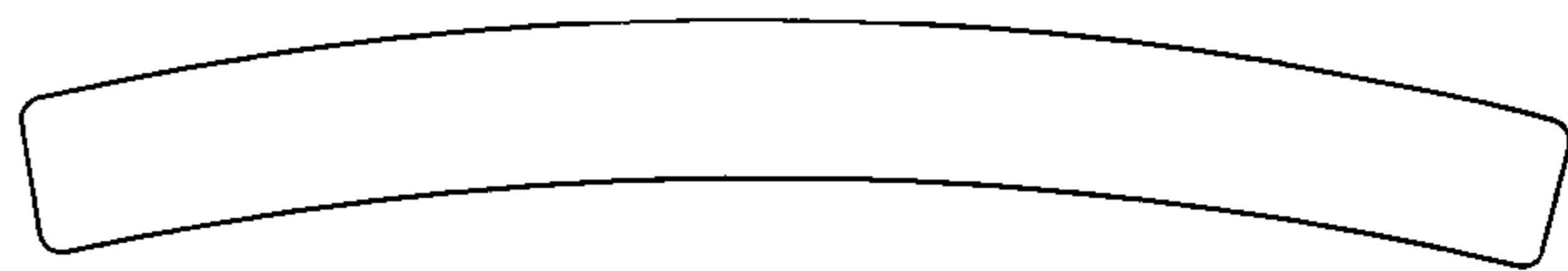


FIG. 8



FIG. 9

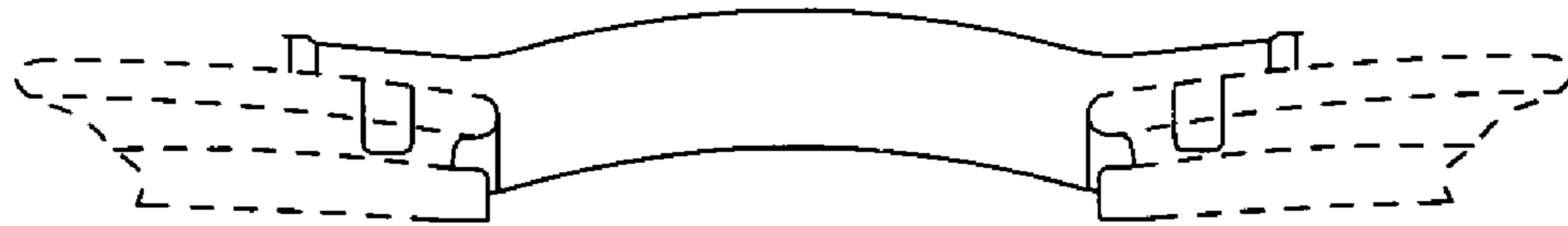


FIG. 10

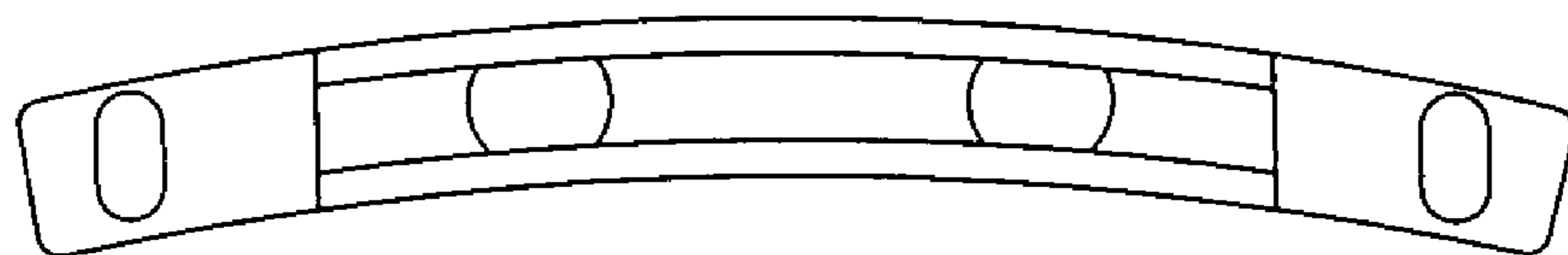


FIG. 11