



US00D565634S

(12) **United States Design Patent**  
**Bullard, Jr.**

(10) **Patent No.:** **US D565,634 S**

(45) **Date of Patent:** **\*\* Apr. 1, 2008**

(54) **ADJUSTABLE EYEGLASS FRAME**

(76) Inventor: **Eston Bullard, Jr.**, 2412 Quail Ave.,  
Jacksonville, FL (US) 32218

(\*\*) Term: **14 Years**

(21) Appl. No.: **29/223,788**

(22) Filed: **Feb. 19, 2005**

(51) **LOC (8) Cl.** ..... **16-06**

(52) **U.S. Cl.** ..... **D16/325; D16/332**

(58) **Field of Classification Search** ..... D16/300-338;  
D29/109-110; D24/110.2; 351/41, 44, 51,  
351/52, 111-119, 122, 124, 128, 131-132,  
351/136-139, 158

See application file for complete search history.

(56) **References Cited**

**U.S. PATENT DOCUMENTS**

2,797,617	A *	7/1957	Ring	.....	351/118
D228,678	S *	10/1973	Bloch	.....	D16/320
4,178,080	A *	12/1979	Elder	.....	351/128
4,331,393	A *	5/1982	Bradley, Jr.	.....	351/137
4,787,727	A *	11/1988	Boodman et al.	.....	351/118
4,861,151	A *	8/1989	Negishi	.....	351/128
D317,012	S *	5/1991	Hirschman	.....	D16/325
5,133,595	A *	7/1992	Gutbrod et al.	.....	351/118
5,146,245	A *	9/1992	Bolinger	.....	351/118
5,532,767	A *	7/1996	Pleune et al.	.....	351/118

5,971,538 A \* 10/1999 Heffner ..... 351/137  
6,076,927 A \* 6/2000 Owens ..... 351/41

\* cited by examiner

*Primary Examiner*—Raphael Barkai

(74) *Attorney, Agent, or Firm*—Steven R. Scott

(57) **CLAIM**

I claim the ornamental design for adjustable eyeglass frame,  
as shown and described.

**DESCRIPTION**

FIG. 1 is a front elevational view of the adjustable eyeglass  
frame, showing my new design;

FIG. 2 is a front elevational view of the adjustment mecha-  
nism;

FIG. 3 is a snap-on cosmetic cover adapted to cover the  
adjustment mechanism;

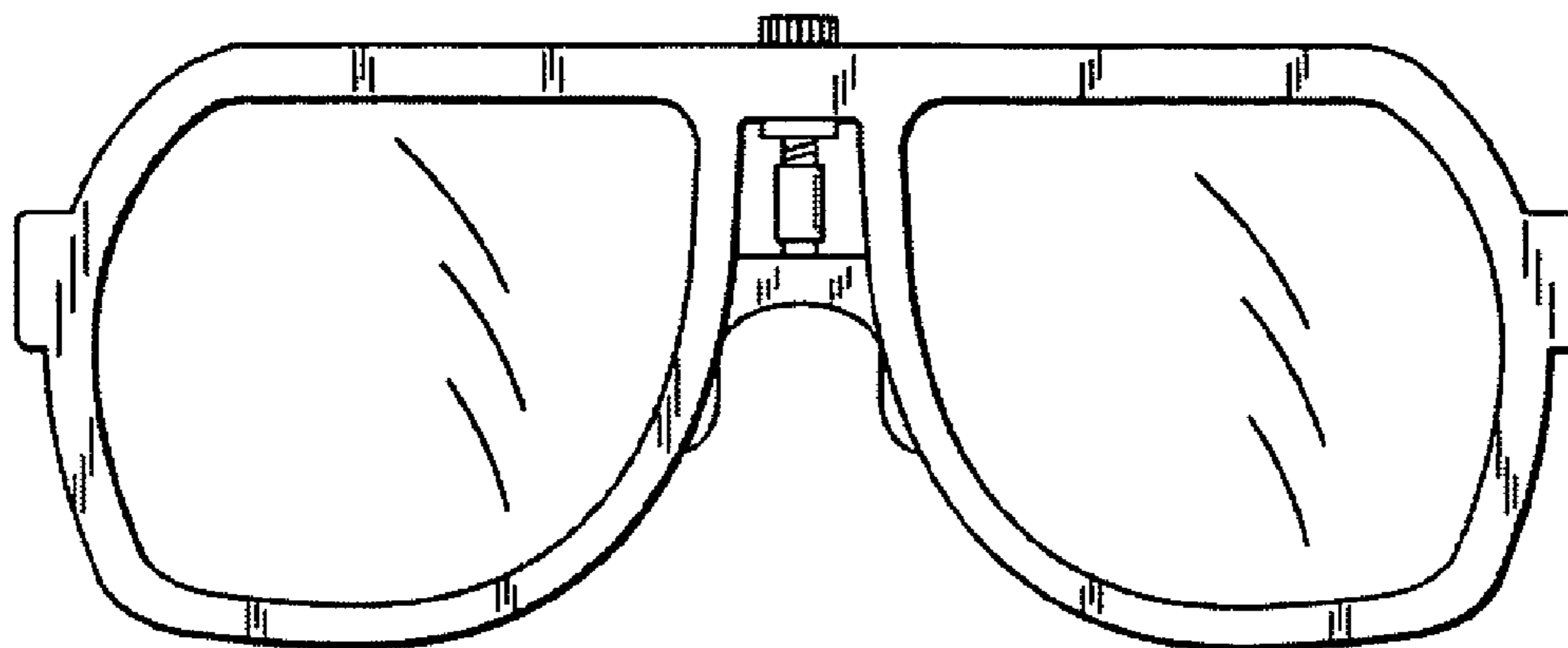
FIG. 4 is a side view showing the outside appearance of a  
temple/arm of my new design;

FIG. 5 is an exploded side view showing the inside appear-  
ance of a temple/arm of my new design; and,

FIG. 6 is an detailed view of the snap adjustment mechanism  
of a temple/arm.

Some Elements of the design have been shown separately  
for ease of illustration only.

**1 Claim, 1 Drawing Sheet**



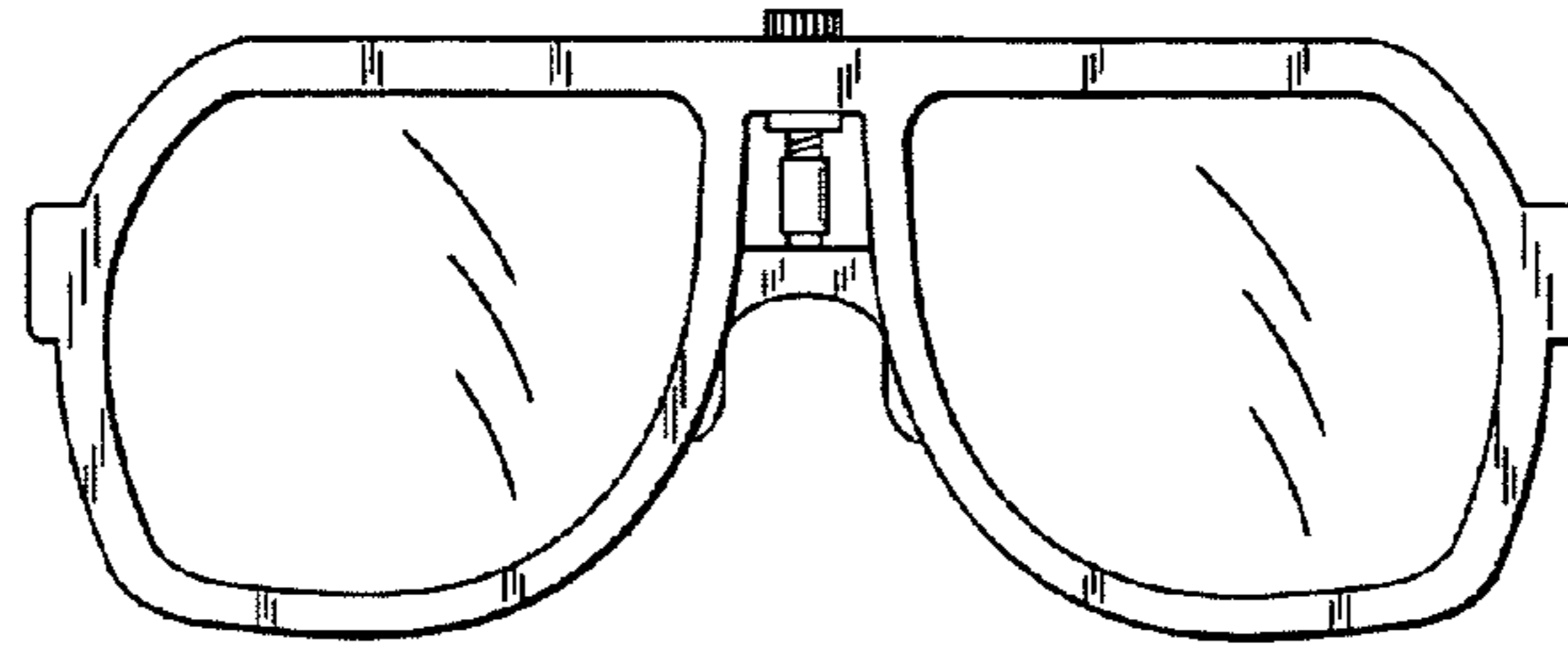


FIG. 1

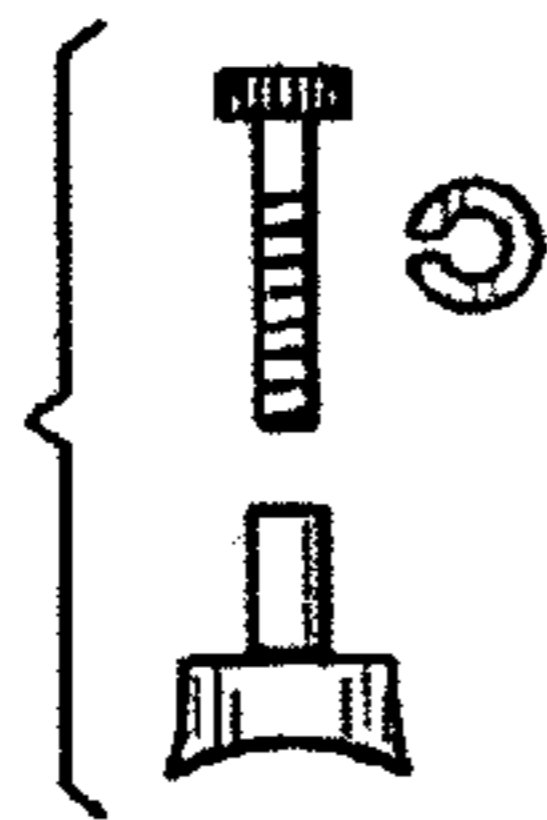


FIG. 2



FIG. 3

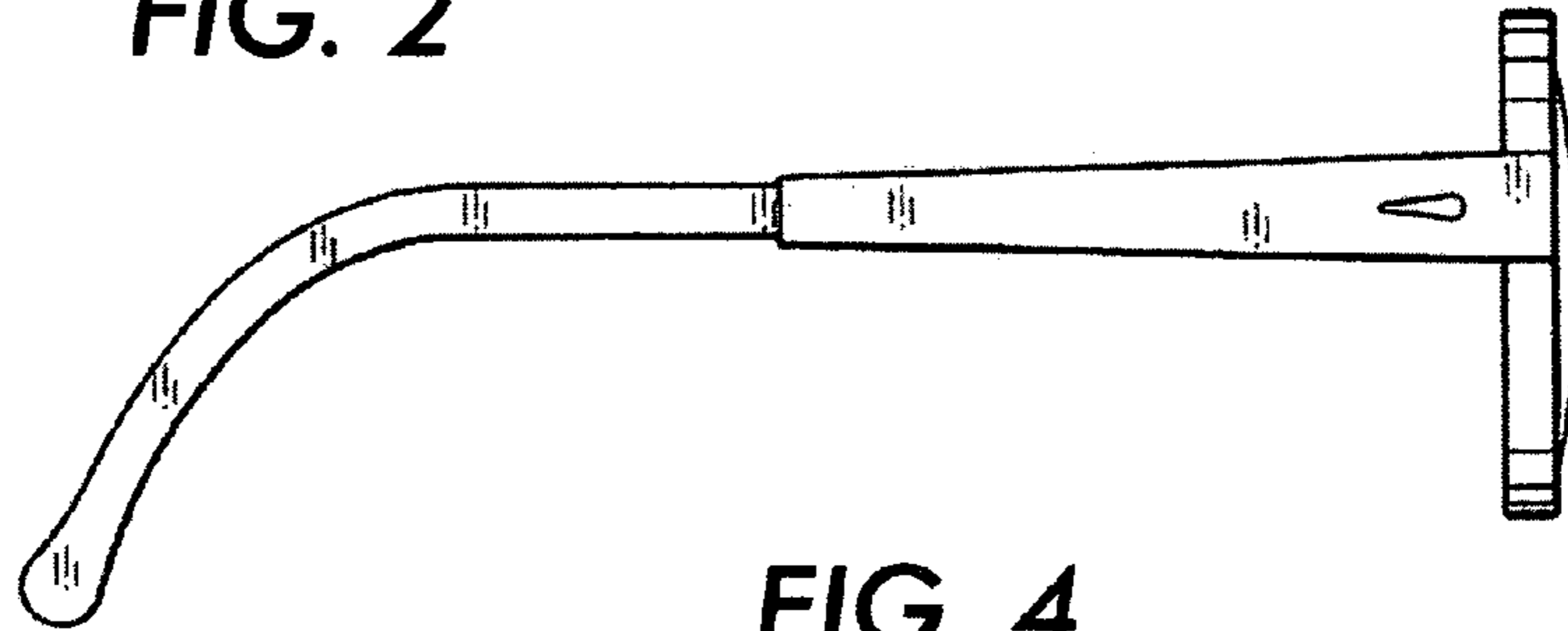


FIG. 4

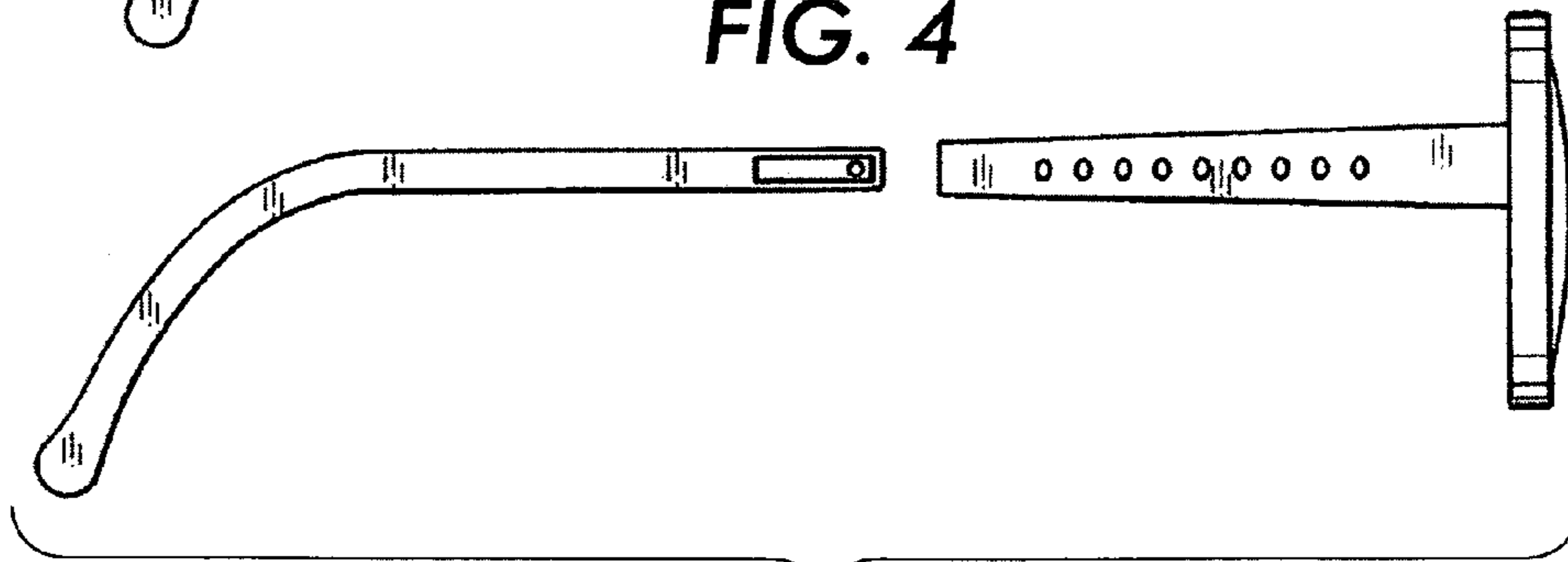


FIG. 5



FIG. 6