



US00D565630S

(12) **United States Design Patent**
Morishita

(10) **Patent No.:** **US D565,630 S**

(45) **Date of Patent:** **** Apr. 1, 2008**

(54) **LCD VIDEO PROJECTOR**

(75) Inventor: **Yoshihito Morishita**, Kadoma (JP)

(73) Assignee: **Matsushita Electric Industrial Co., Ltd.**, Osaka (JP)

(**) Term: **14 Years**

(21) Appl. No.: **29/288,234**

(22) Filed: **Jun. 5, 2007**

(30) **Foreign Application Priority Data**

Jan. 10, 2007 (JP) 2007-000188

(51) **LOC (8) Cl.** **16-02**

(52) **U.S. Cl.** **D16/230; D16/225**

(58) **Field of Classification Search** D16/213,
D16/221, 225, 230, 231, 234; D21/514;
353/115, 119, 122

See application file for complete search history.

(56) **References Cited**

U.S. PATENT DOCUMENTS

D371,379 S	*	7/1996	Goshima	D16/213
D401,955 S		12/1998	Kawamoto et al.		
D402,679 S		12/1998	Kawamoto et al.		
D418,532 S		1/2000	Kuramoto et al.		
D421,037 S		2/2000	Kawamoto et al.		
D425,097 S		5/2000	Kuramoto		
D439,923 S		4/2001	Kawamoto		
D454,903 S		3/2002	Kawamoto et al.		
D467,604 S		12/2002	Niitsu		
D474,799 S	*	5/2003	Kawasaki et al.	D16/230
D476,353 S		6/2003	Morishita et al.		
D480,410 S		10/2003	Morishita et al.		
D482,381 S		11/2003	Morishita et al.		
D482,716 S		11/2003	Azuma et al.		
D489,391 S		5/2004	Morishita et al.		
D491,973 S		6/2004	Morishita et al.		
D492,714 S		7/2004	Morishita et al.		
D498,781 S		11/2004	Azuma et al.		
D527,408 S		8/2006	Azuma		
D531,201 S		10/2006	Azuma		

D542,828 S	*	5/2007	Tsukahara	D16/230
D545,340 S	*	6/2007	Azuma	D16/230
D545,865 S	*	7/2007	Azuma et al.	D16/230
7,258,468 B2	*	8/2007	Peng et al.	353/119
D553,172 S	*	10/2007	Azuma	D16/230

FOREIGN PATENT DOCUMENTS

JP	D 1145460	7/2002
JP	D 1173326	5/2003
JP	D 1201439	4/2004

OTHER PUBLICATIONS

Sony Corporation, "Compact Data Projector Lineup Catalogue", Jul. 2005, 4 pages.

* cited by examiner

Primary Examiner—Adir Aronovich

(74) *Attorney, Agent, or Firm*—Brinks Hofer Gilson & Lione

(57) **CLAIM**

I claim the ornamental design for a LCD video projector, as shown and described.

DESCRIPTION

FIG. 1 is a front, top and right side perspective view of a LCD video projector of the present invention;

FIG. 2 is a front elevation view thereof;

FIG. 3 is a top plan view thereof;

FIG. 4 is a right side elevational view thereof;

FIG. 5 is a left side elevational view thereof;

FIG. 6 is a bottom plan view thereof;

FIG. 7 is a rear elevation view thereof; and,

FIG. 8 is front, top and right side perspective view thereof shown in an opened position.

The broken line showing of LCD video projector is included for the purpose of illustrating environment and forms no part of the claimed design.

1 Claim, 4 Drawing Sheets

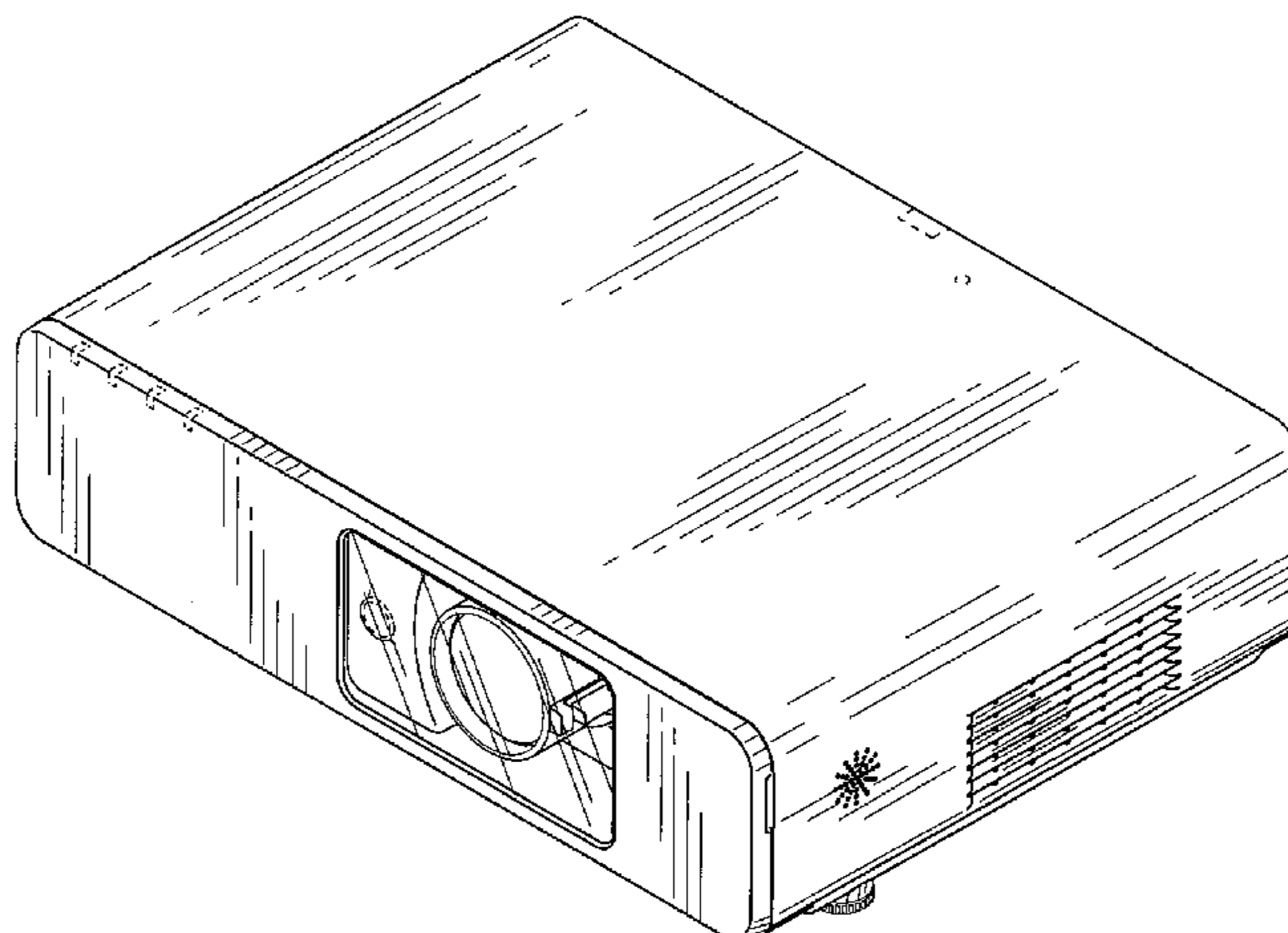


FIG.1

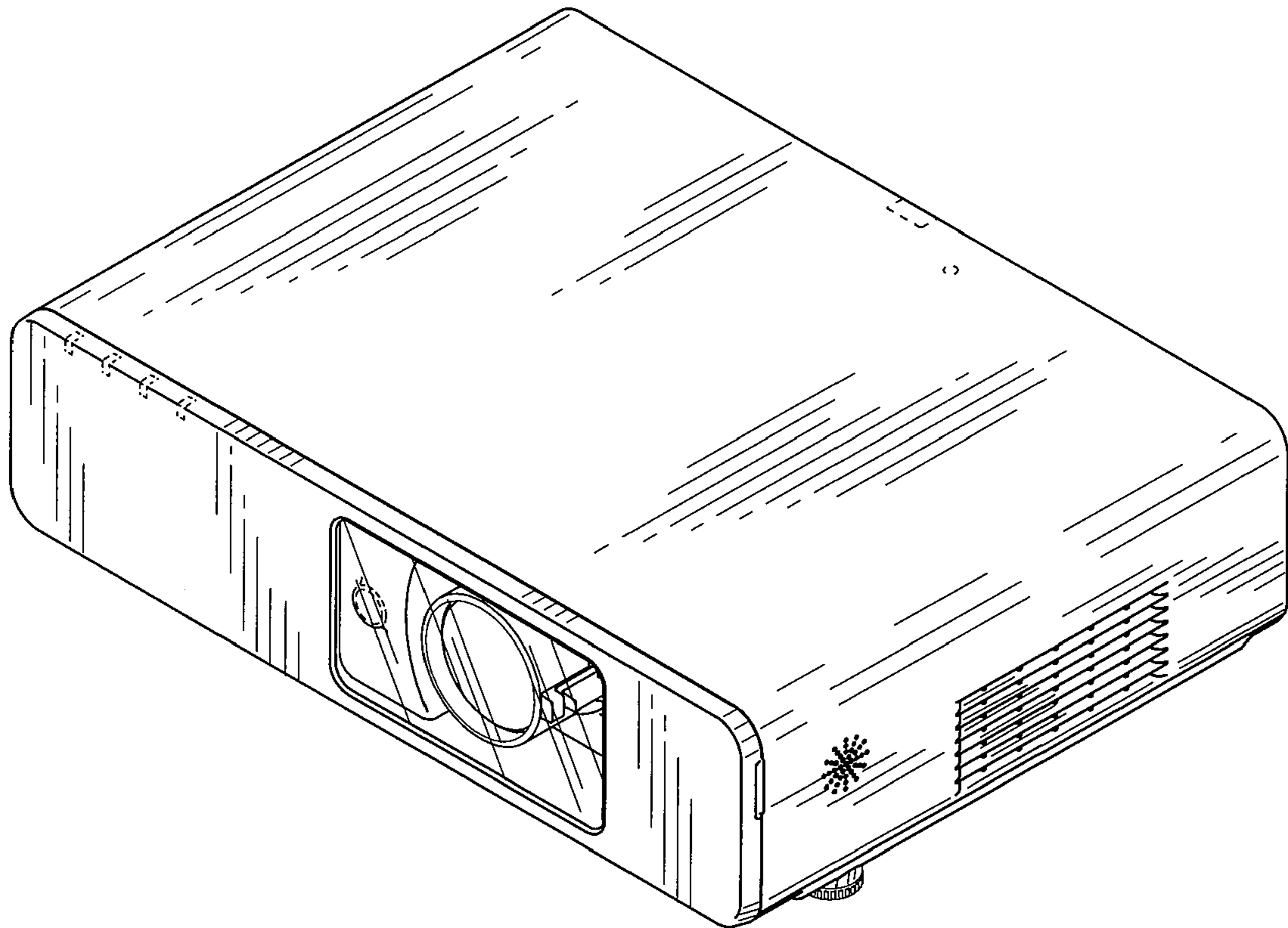


FIG.2

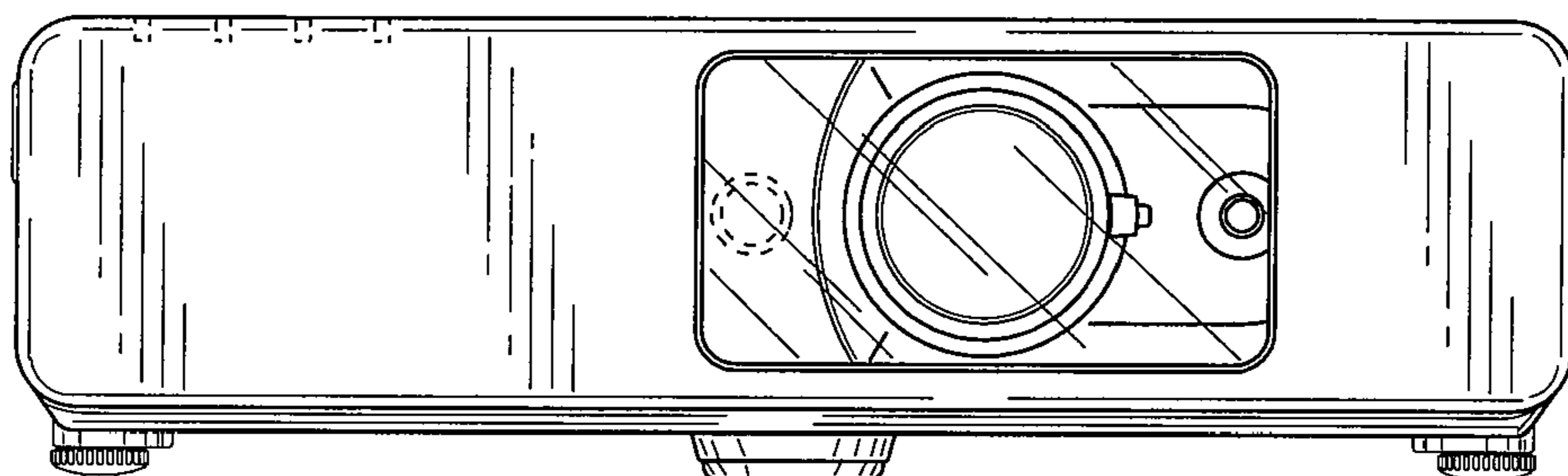


FIG.3

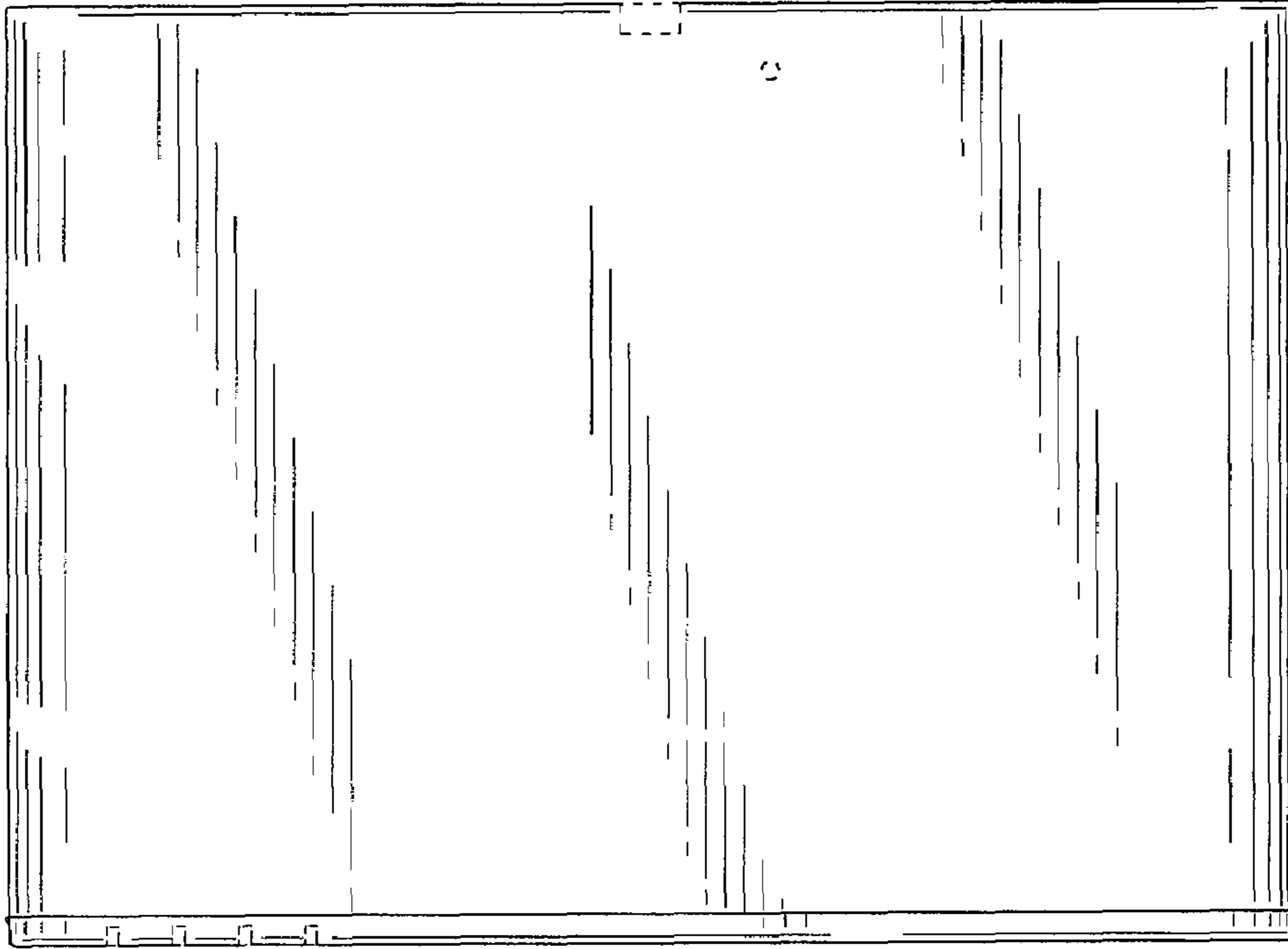


FIG.4

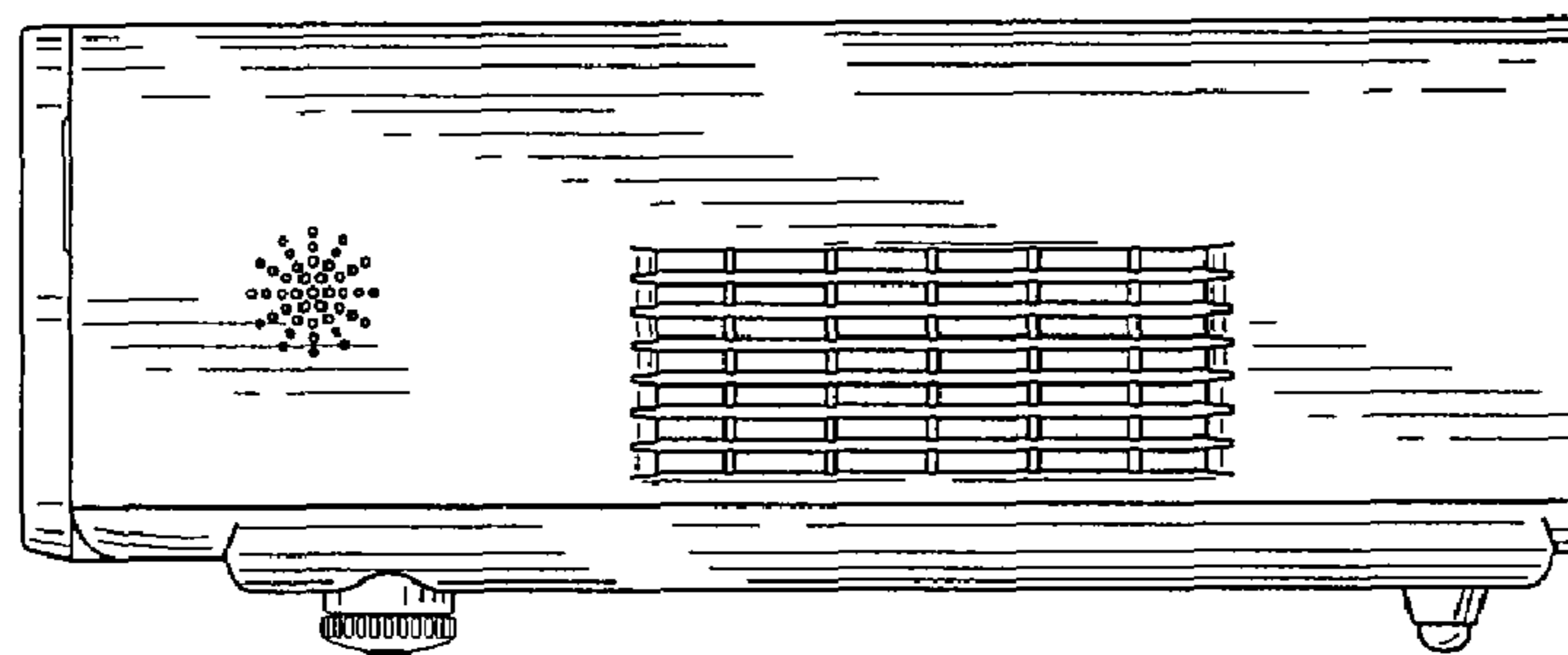


FIG.5

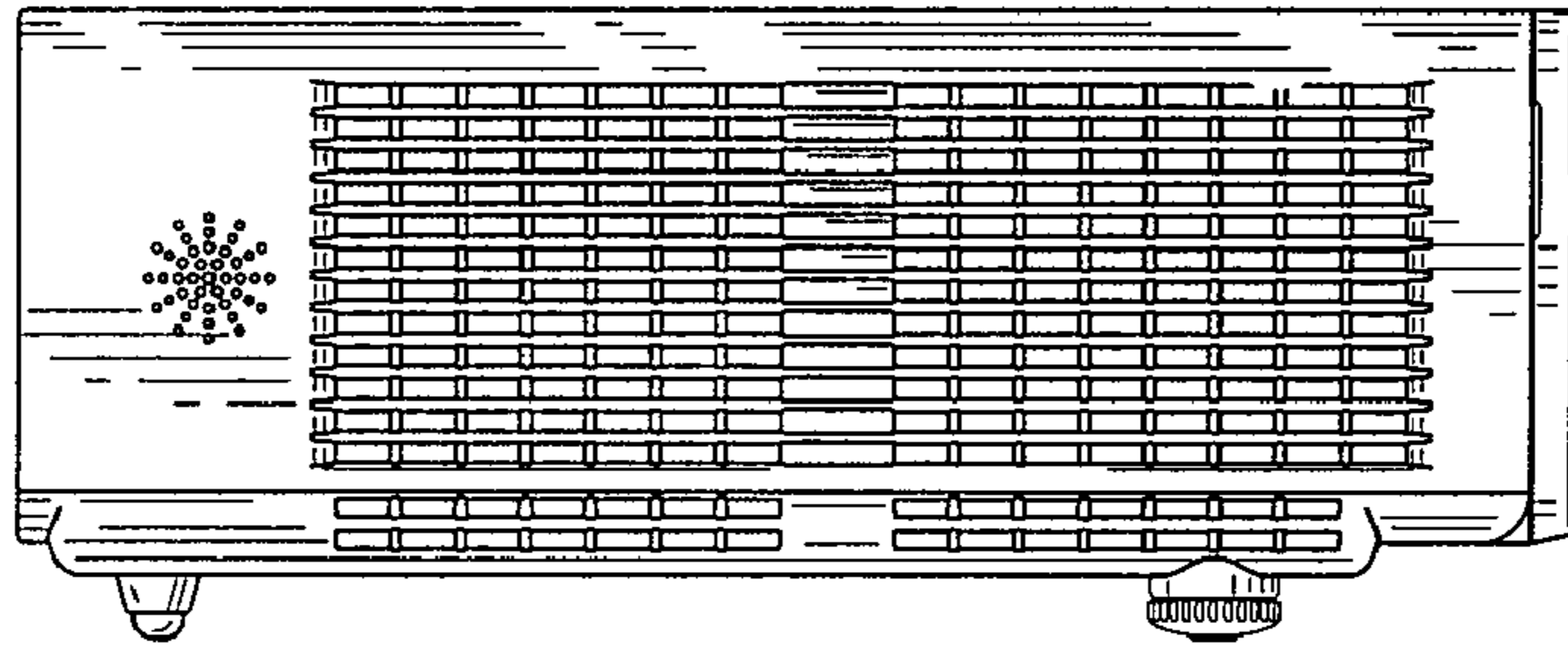


FIG.6

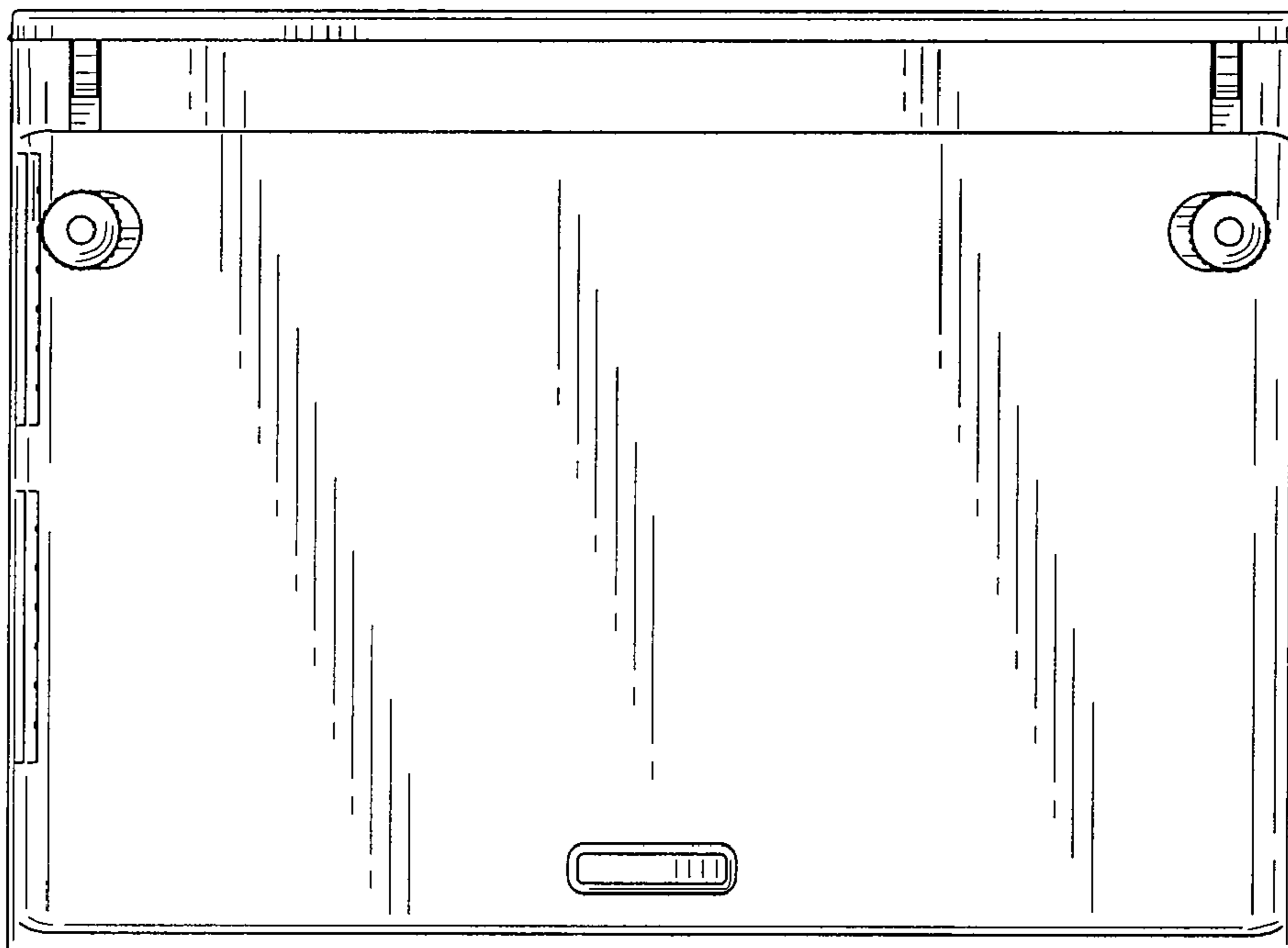


FIG.7

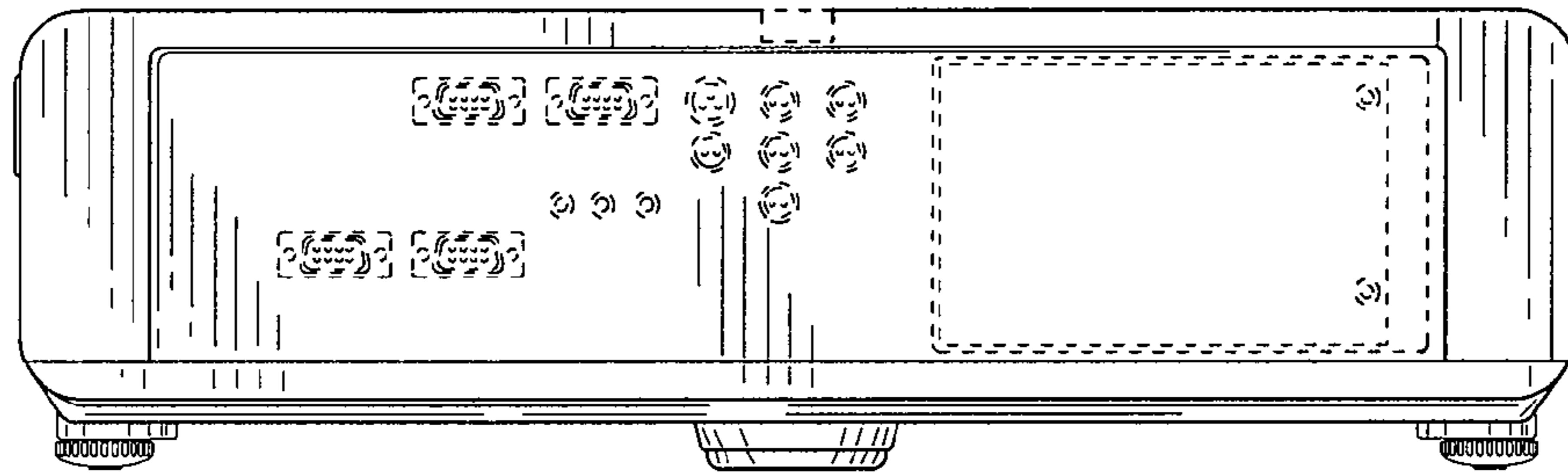


FIG.8

