



US00D565629S

(12) **United States Design Patent**
Morishita

(10) **Patent No.:** **US D565,629 S**

(45) **Date of Patent:** **** Apr. 1, 2008**

(54) **LCD VIDEO PROJECTOR**
(75) Inventor: **Yoshihito Morishita**, Kadoma (JP)
(73) Assignee: **Matsushita Electric Industrial Co., Ltd.**, Osaka (JP)

(**) Term: **14 Years**
(21) Appl. No.: **29/288,232**
(22) Filed: **Jun. 5, 2007**

(30) **Foreign Application Priority Data**
Jan. 10, 2007 (JP) 2007-000190

(51) **LOC (8) Cl.** **16-02**
(52) **U.S. Cl.** **D16/230; D16/225**
(58) **Field of Classification Search** D16/200-205,
D16/208, 218; 348/373-376; 358/906;
396/535-541

See application file for complete search history.

(56) **References Cited**

U.S. PATENT DOCUMENTS

- D401,955 S 12/1998 Kawamoto et al.
- D402,679 S 12/1998 Kawamoto et al.
- D418,532 S 1/2000 Kuramoto et al.
- D421,037 S 2/2000 Kawamoto et al.
- D425,097 S 5/2000 Kuramoto
- D439,923 S 4/2001 Kawamoto
- D454,903 S 3/2002 Kawamoto et al.
- D467,604 S 12/2002 Niitsu
- D470,525 S * 2/2003 Nakayama et al. D16/231
- D474,799 S * 5/2003 Kawasaki et al. D16/230
- D476,353 S 6/2003 Morishita et al.
- D480,410 S 10/2003 Morishita et al.
- D482,381 S 11/2003 Morishita et al.
- D482,716 S 11/2003 Azuma et al.
- D489,391 S 5/2004 Morishita et al.
- D491,973 S 6/2004 Morishita et al.
- D492,714 S 7/2004 Morishita et al.
- 6,793,346 B2 * 9/2004 Nakano et al. 353/119
- D498,781 S 11/2004 Azuma et al.
- D503,733 S * 4/2005 Kurokawa D16/230
- D506,770 S * 6/2005 Saeki et al. D16/230
- D527,408 S 8/2006 Azuma
- D531,201 S 10/2006 Azuma

- D542,828 S * 5/2007 Tsukahara D16/230
- 7,258,468 B2 * 8/2007 Peng et al. 353/119
- D551,690 S * 9/2007 Kawabe et al. D16/230

FOREIGN PATENT DOCUMENTS

- JP 1161418 11/2002
- JP 1173326 3/2003
- JP 1202246 2/2004
- JP 1202247 2/2004
- JP D 1200247 2/2004

OTHER PUBLICATIONS

Seiko Epson Corporation, News release of Model EMP-6100, dated Jul. 5, 2006, obtained from Internet at <<http://www.epson.jp/osirase/2006/060705.htm>> on Mar. 28, 2007, 3 pages.

* cited by examiner

Primary Examiner—Adir Aronovich

(74) *Attorney, Agent, or Firm*—Brinks Hofer Gilson & Lione

(57) **CLAIM**

I claim the ornamental design for a LCD video projector, as shown and described.

DESCRIPTION

FIG. 1 is a front and right side perspective view of a LCD video projector of the present invention;
FIG. 2 is a front elevation view thereof;
FIG. 3 is a top plan view thereof;
FIG. 4 is a right side elevational view thereof;
FIG. 5 is a left side elevational view thereof;
FIG. 6 is a bottom plan view thereof; and,
FIG. 7 is a rear elevation view thereof.

The broken line showing of LCD video projector is included for the purpose of illustrating environment and forms no part of the claimed design.

1 Claim, 4 Drawing Sheets

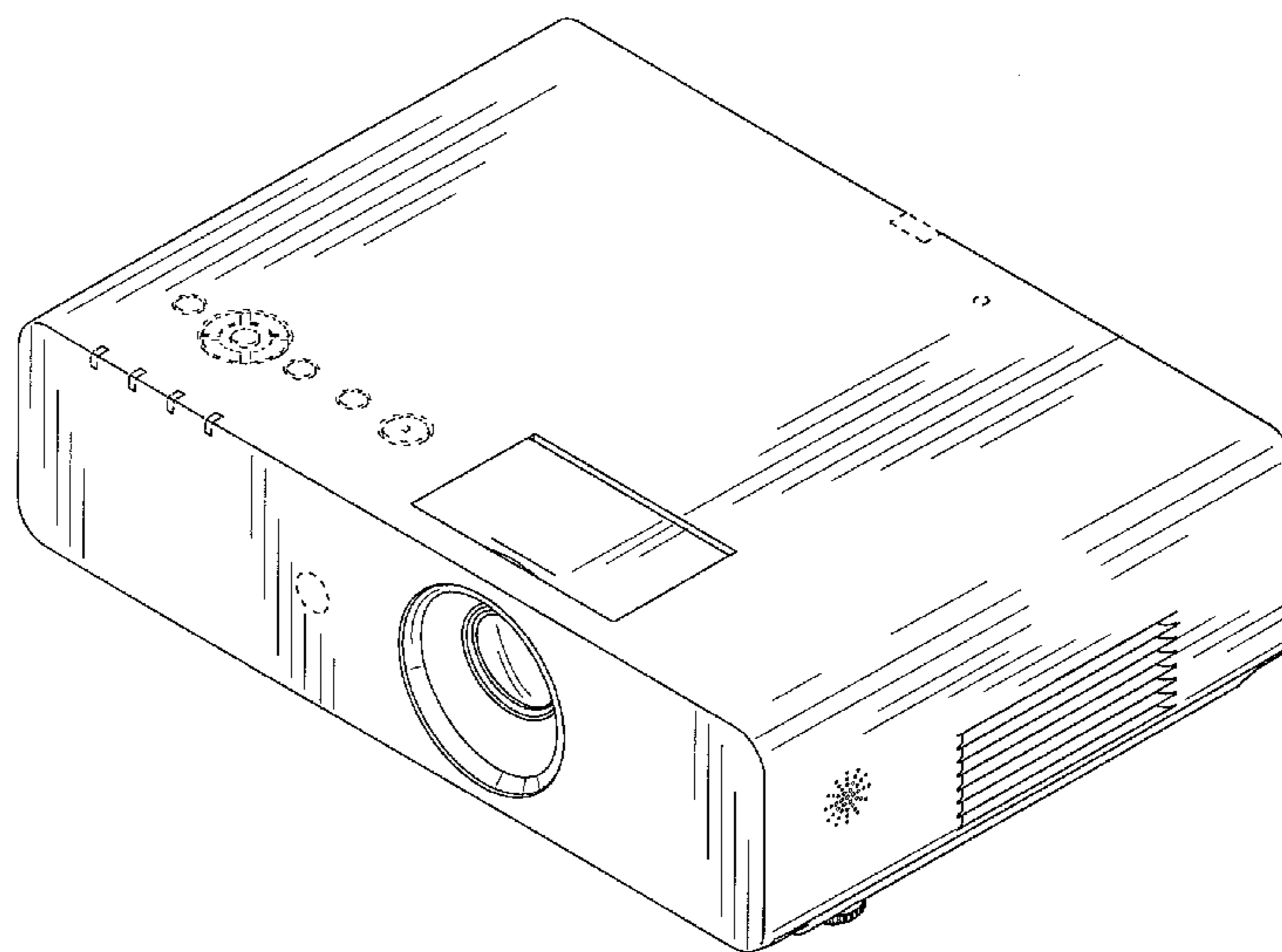


FIG.1

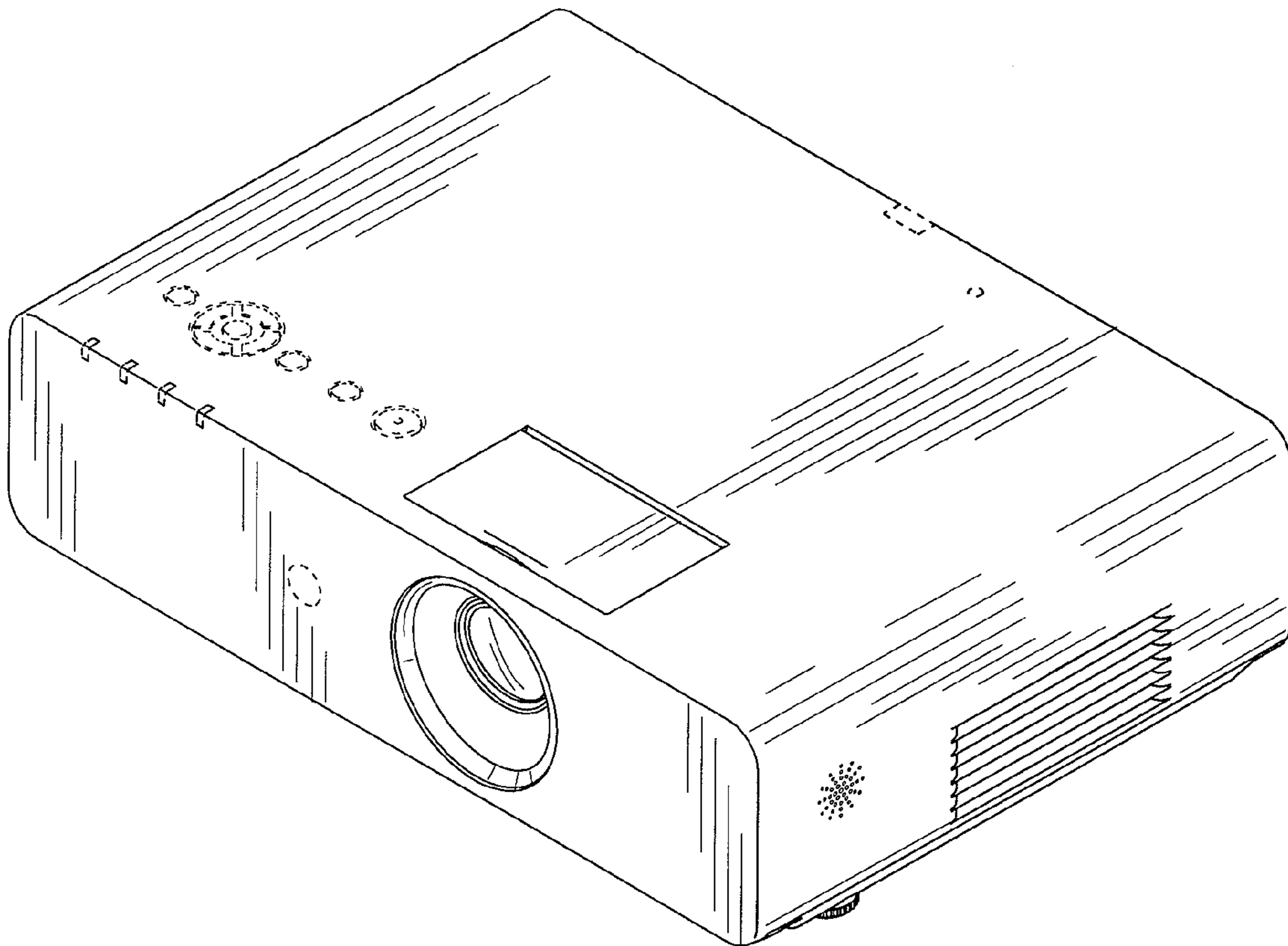


FIG.2

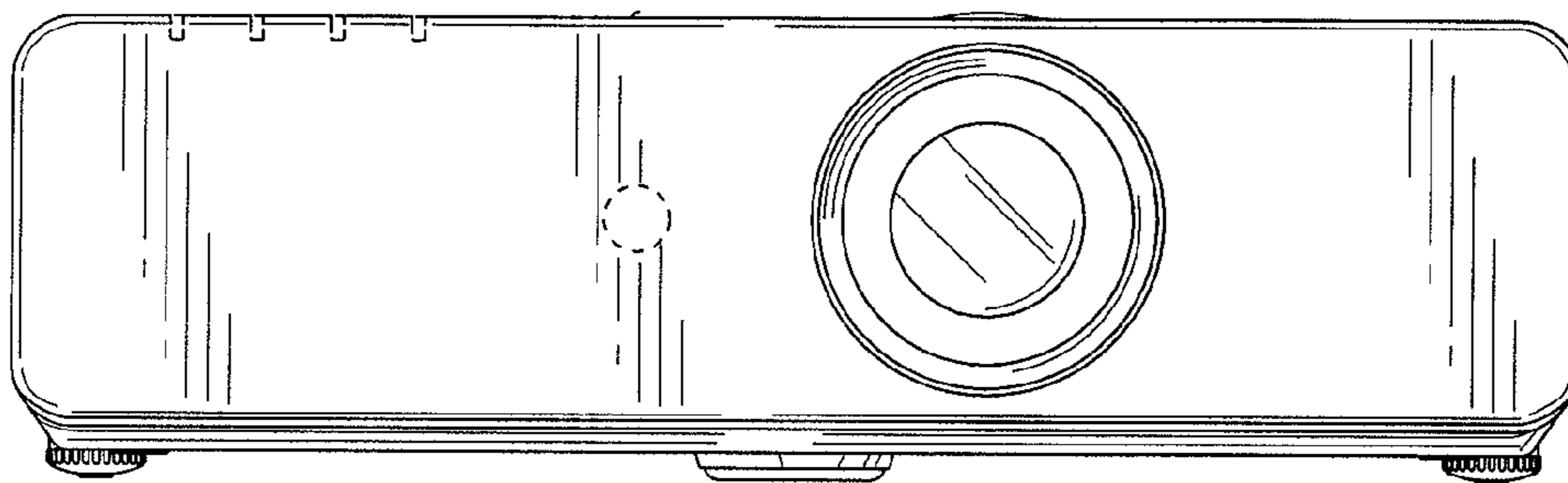


FIG.3

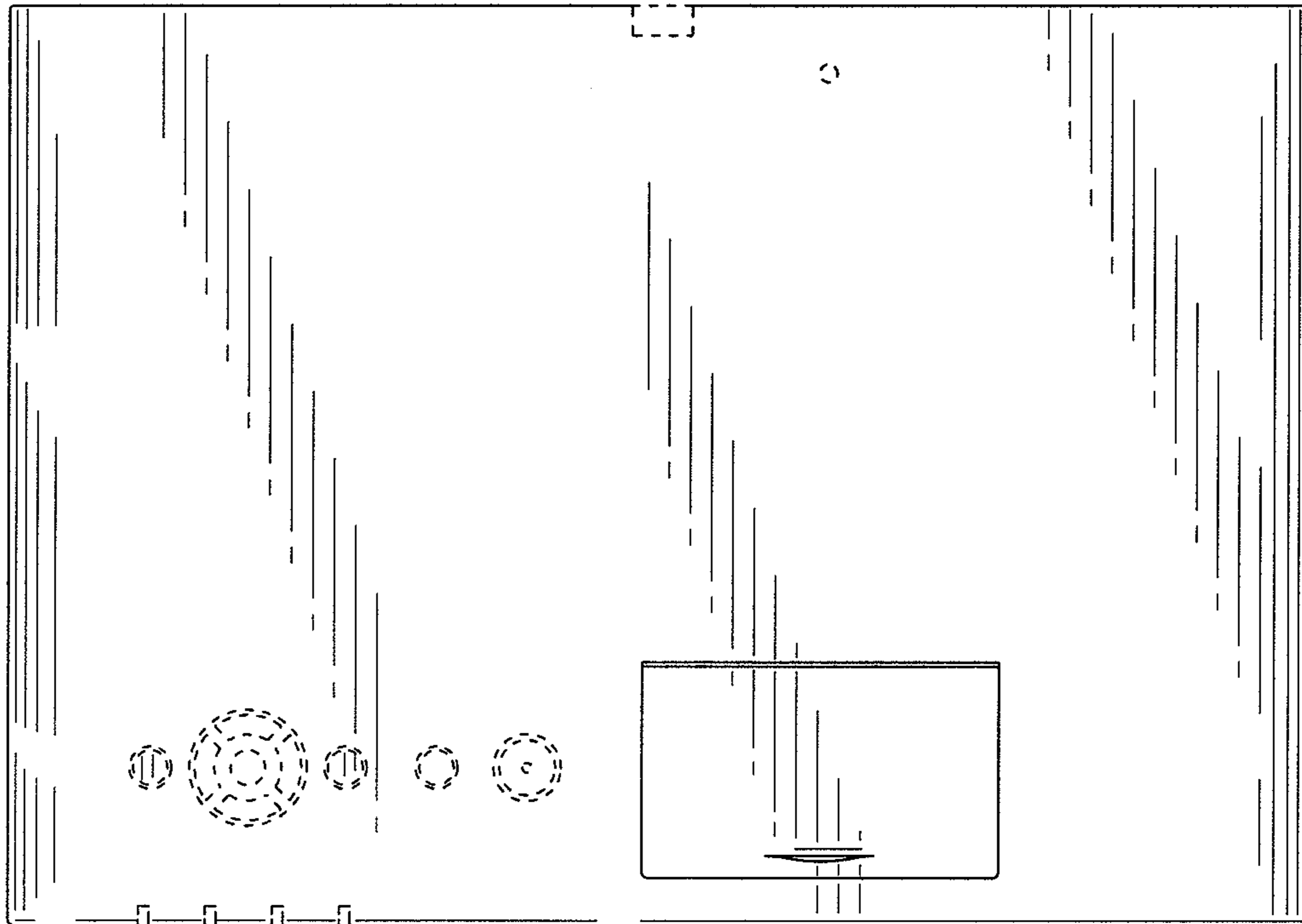


FIG.4

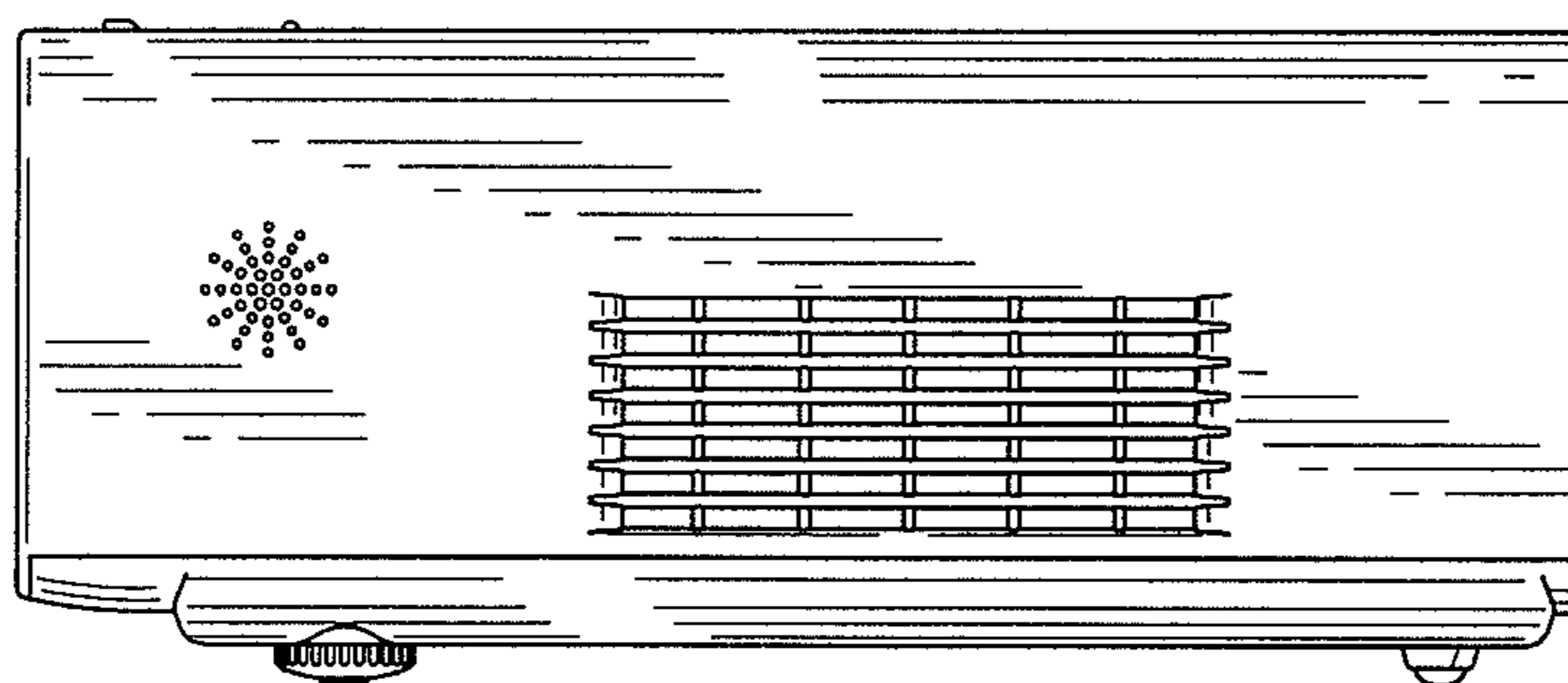


FIG.5

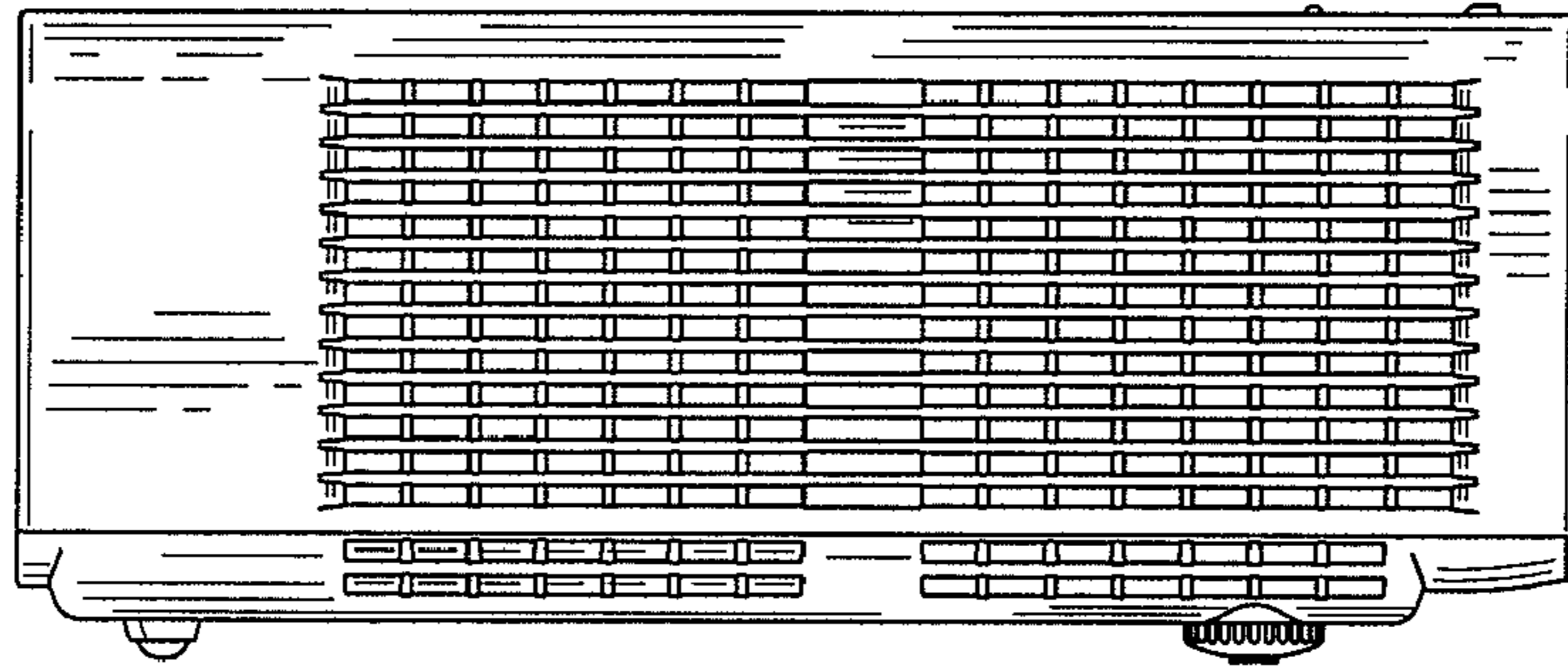


FIG.6

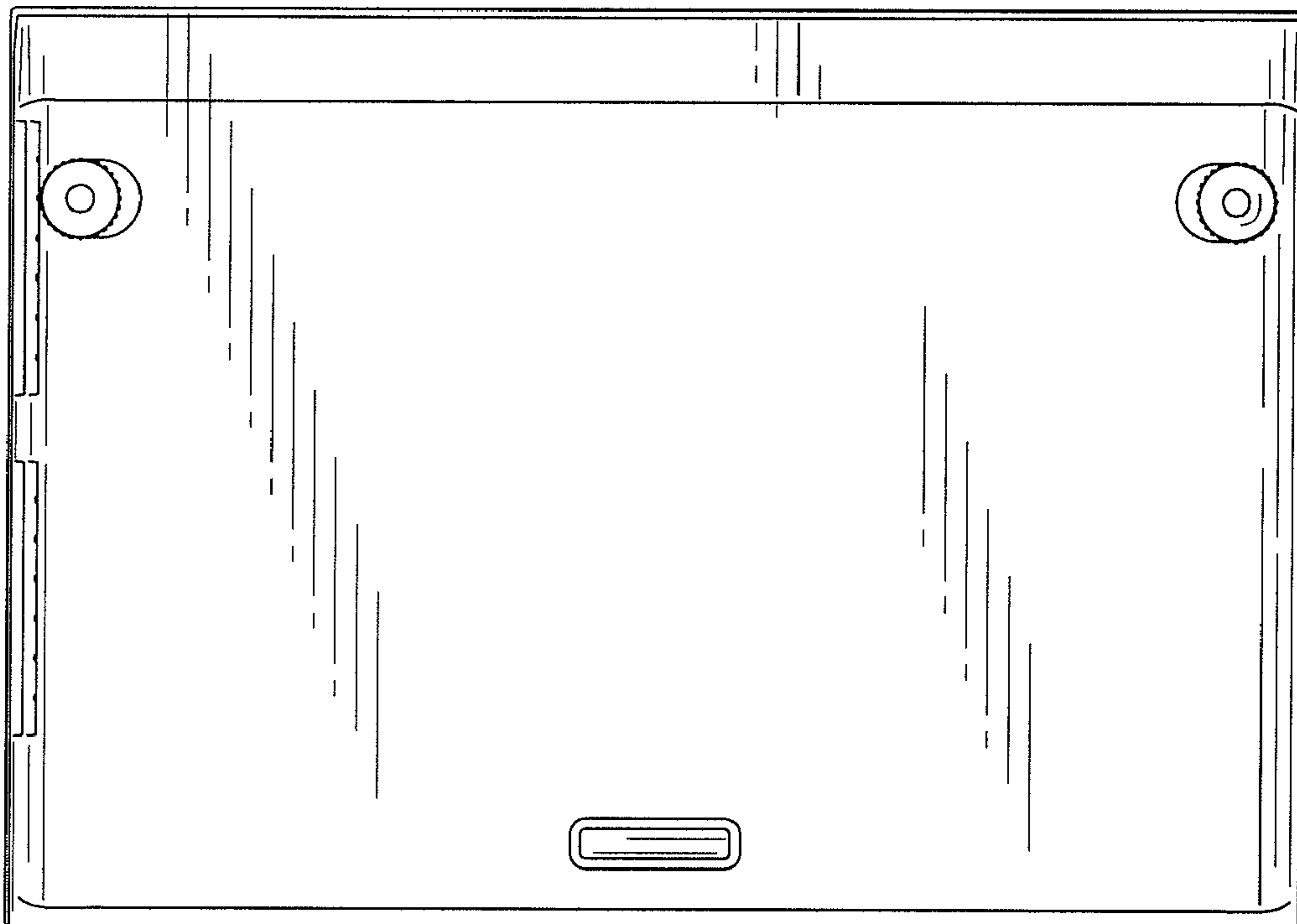


FIG. 7

