



US00D565628S

(12) **United States Design Patent**
Alm et al.

(10) **Patent No.:** **US D565,628 S**
(45) **Date of Patent:** **** Apr. 1, 2008**

(54) **CAMERA**

(75) Inventors: **Carl-Axel Alm**, Lund (SE); **Emma Lindberg**, Lund (SE)

(73) Assignee: **Axis AB**, Lund (SE)

(**) Term: **14 Years**

(21) Appl. No.: **29/267,716**

(22) Filed: **Oct. 18, 2006**

(30) **Foreign Application Priority Data**

Apr. 18, 2006 (EM) 000514864

(51) **LOC (8) Cl.** **16-05**

(52) **U.S. Cl.** **D16/219; D16/203**

(58) **Field of Classification Search** D16/200–205,
D16/208, 218–219; 348/143, 151, 373–376;
396/427, 535–541

See application file for complete search history.

(56) **References Cited**

U.S. PATENT DOCUMENTS

- D412,924 S * 8/1999 Hiraguchi D16/219
- D416,273 S * 11/1999 Yamakawa et al. D16/203
- D425,535 S * 5/2000 Mutoh et al. D16/203
- 6,064,430 A * 5/2000 Lefkowitz 348/151
- D449,630 S * 10/2001 Rak et al. D16/203
- D450,075 S * 11/2001 Uehara D16/203
- D452,696 S * 1/2002 Fenton D16/203

- 6,715,940 B2 * 4/2004 Top et al. 396/427
- D494,992 S * 8/2004 Seo D16/203
- D499,125 S * 11/2004 Adachi et al. D16/203
- D499,126 S * 11/2004 Kato et al. D16/203
- D513,028 S * 12/2005 Maruyama D16/203
- 7,217,045 B2 * 5/2007 Jones 396/427

* cited by examiner

Primary Examiner—Jeffrey Asch

Assistant Examiner—Wan Laymon

(74) *Attorney, Agent, or Firm*—IP Creators; Charles C Cary

(57) **CLAIM**

The ornamental design for a camera, as shown and described.

DESCRIPTION

FIG. 1 is a top and front perspective view of a camera showing our new design;

FIG. 2 is a bottom and front perspective view thereof;

FIG. 3 is a top plan view thereof;

FIG. 4 is a front elevational view thereof;

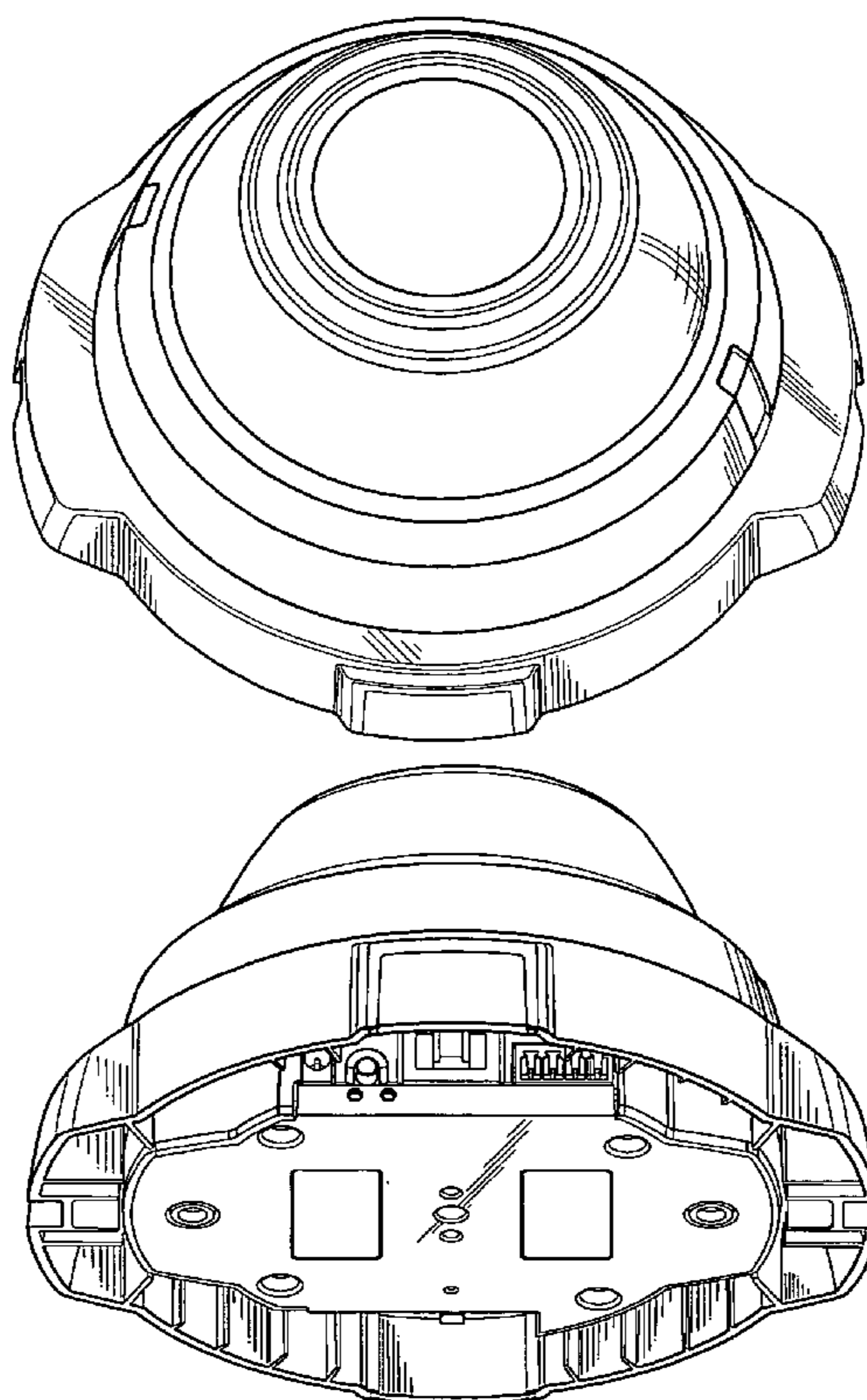
FIG. 5 is a right elevational view thereof;

FIG. 6 is a bottom plan view thereof;

FIG. 7 is a left elevational view thereof; and,

FIG. 8 is a rear elevational view thereof.

1 Claim, 4 Drawing Sheets



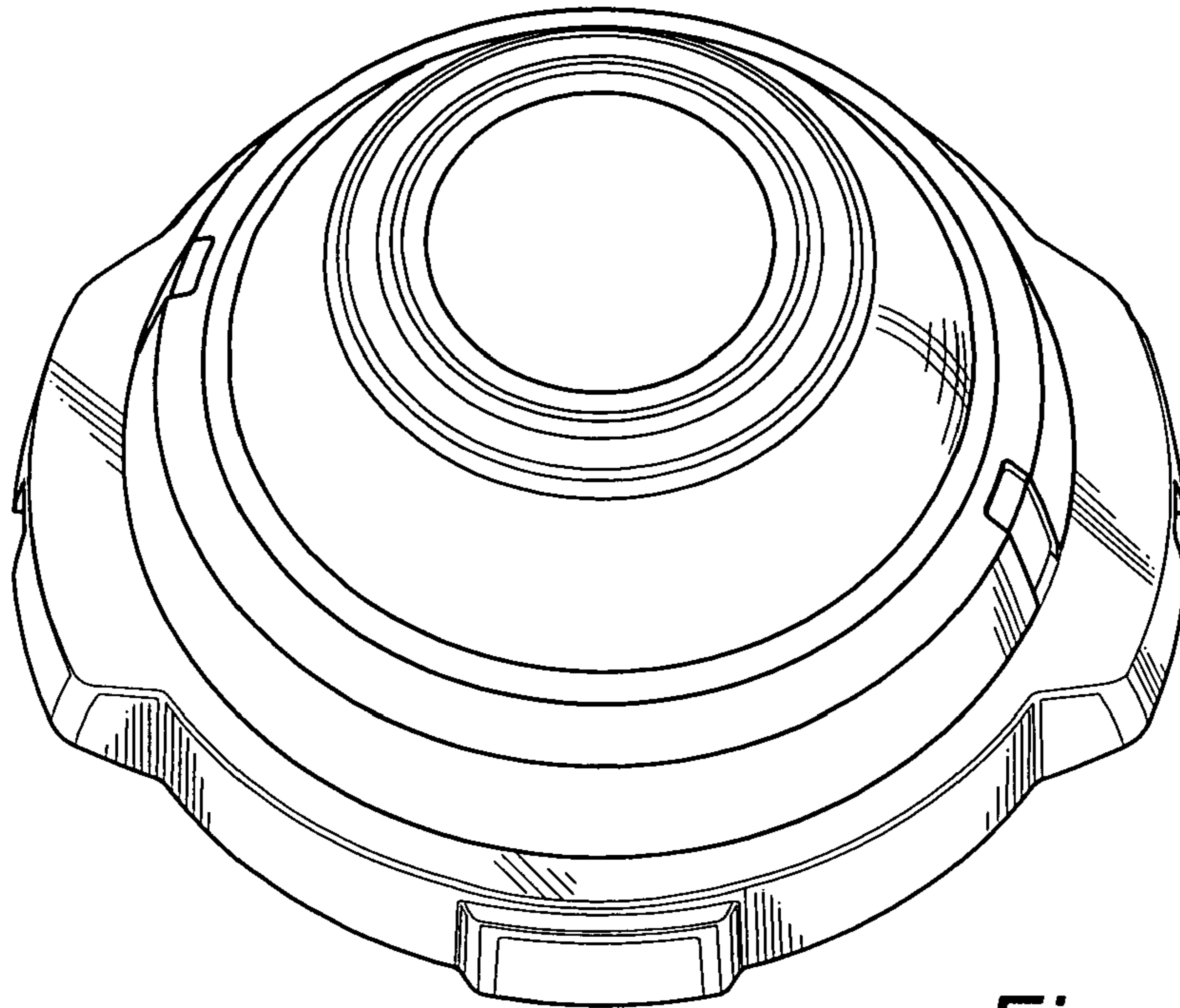


Figure 1

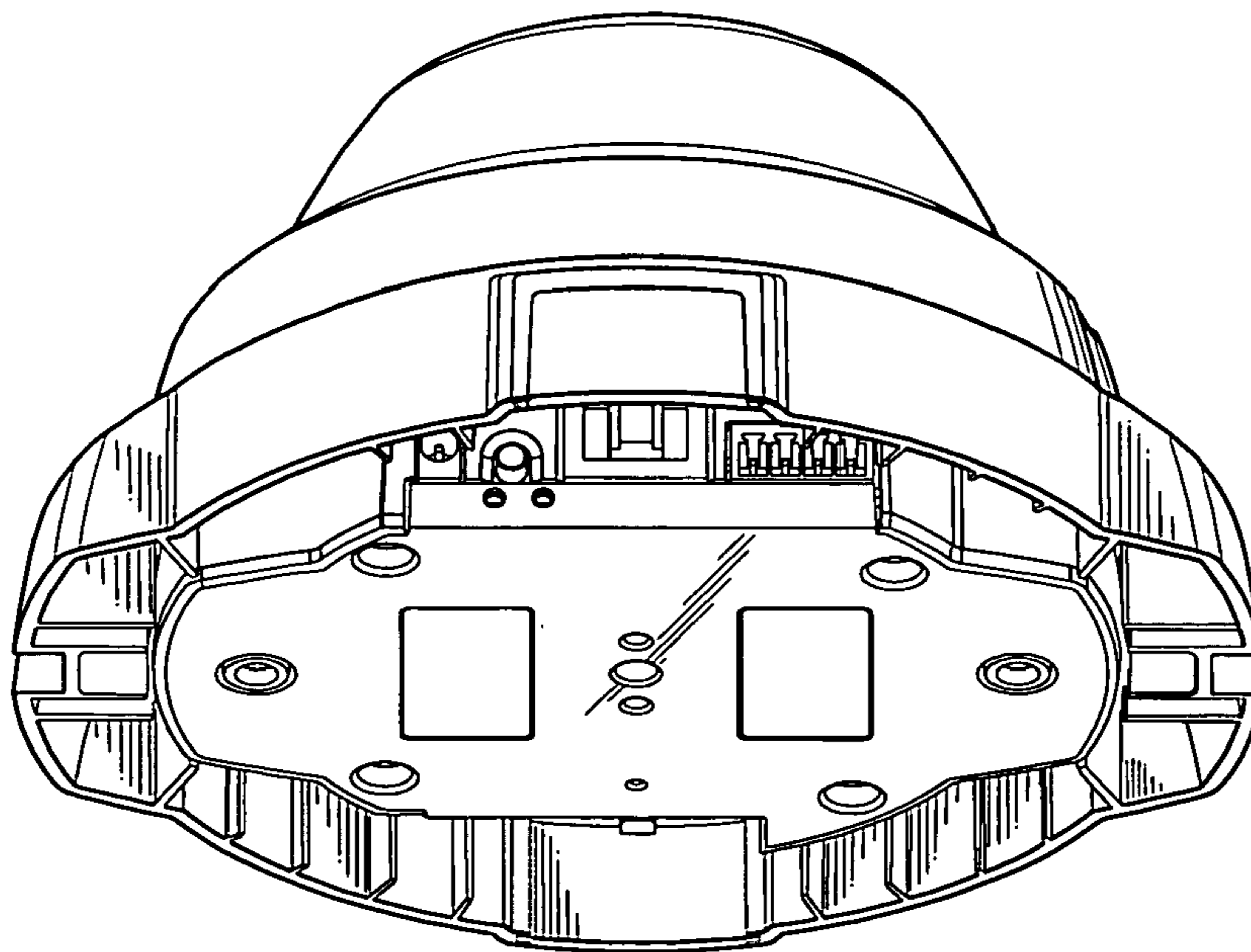


Figure 2

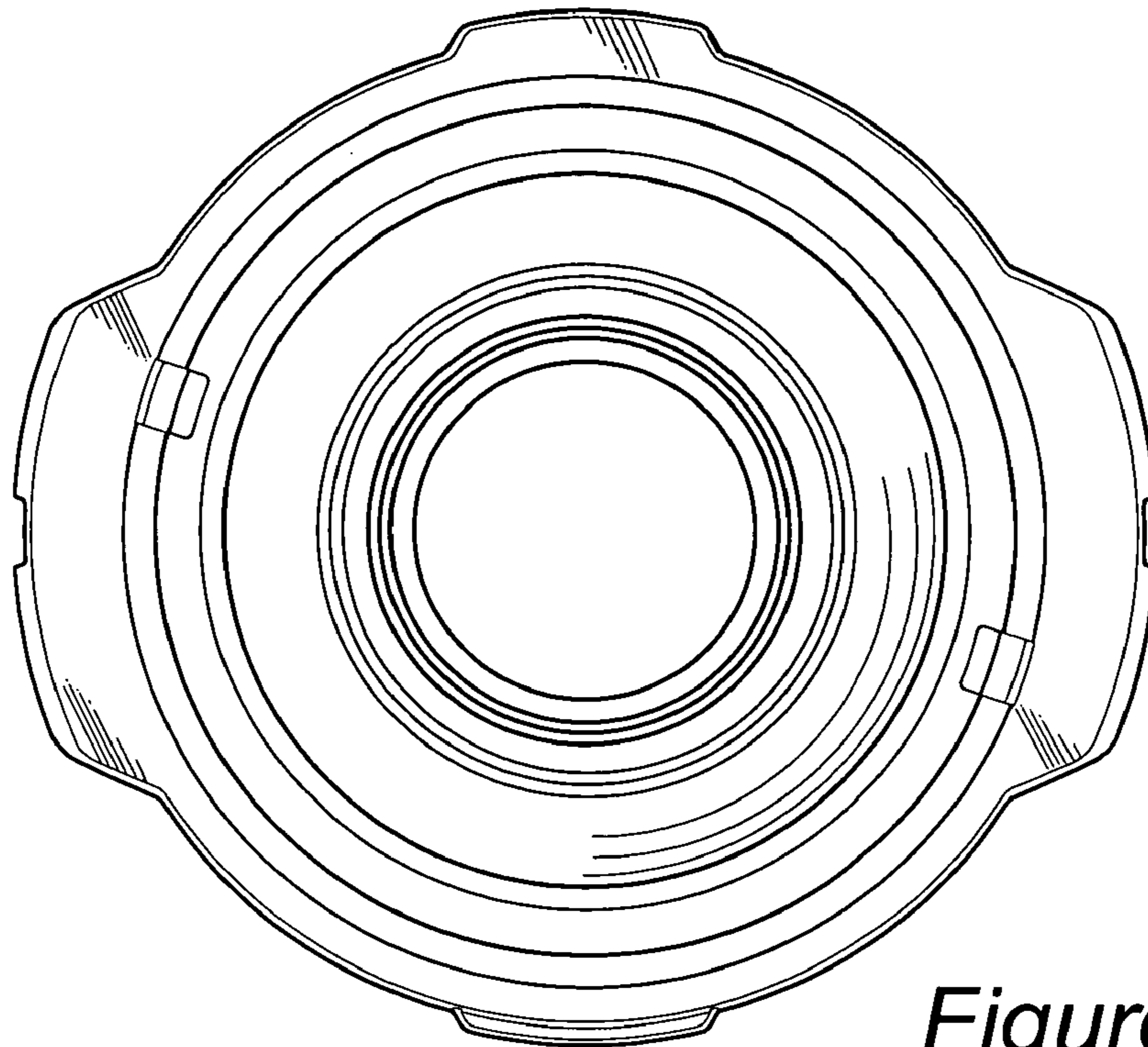


Figure 3

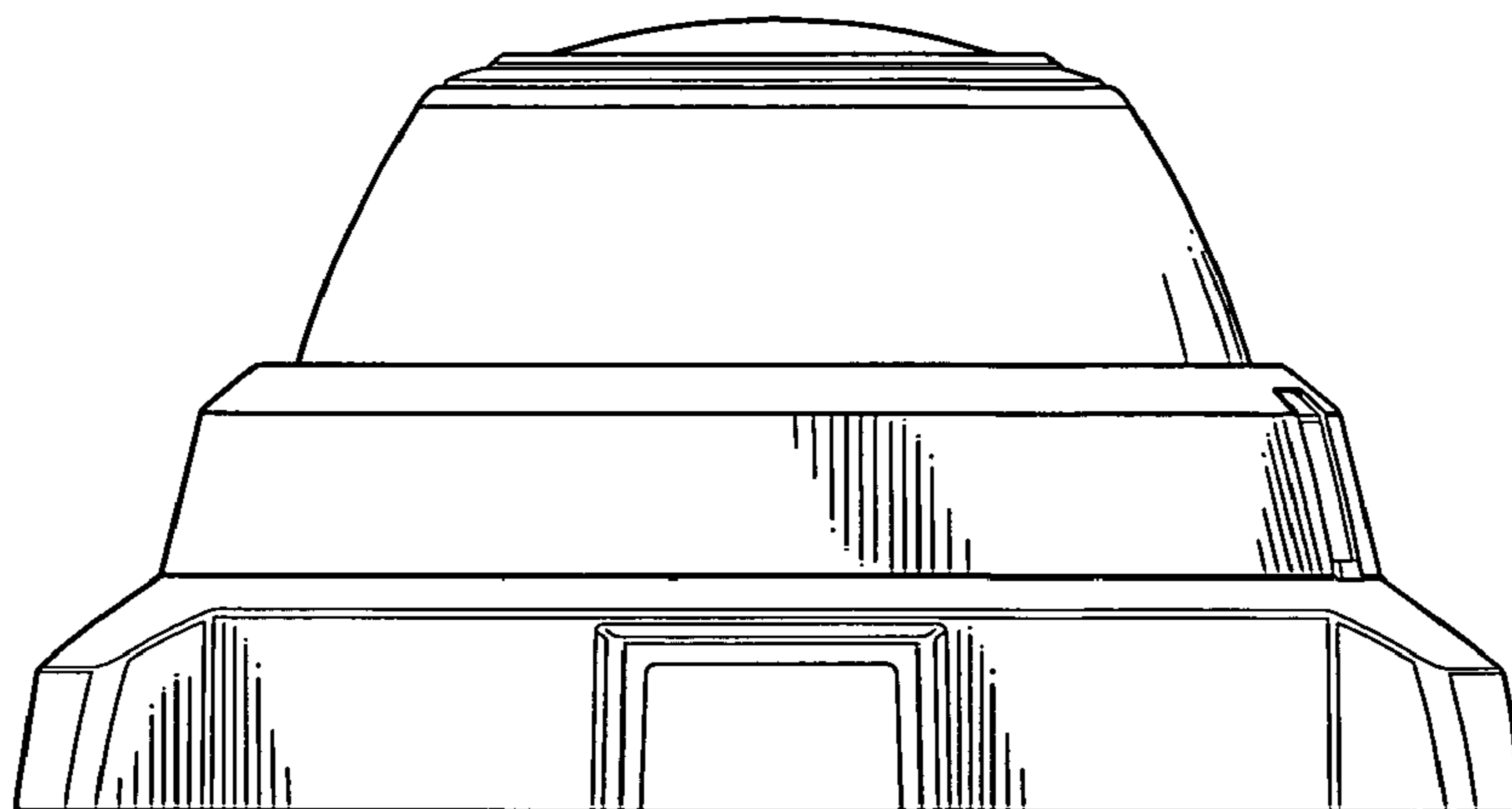


Figure 4

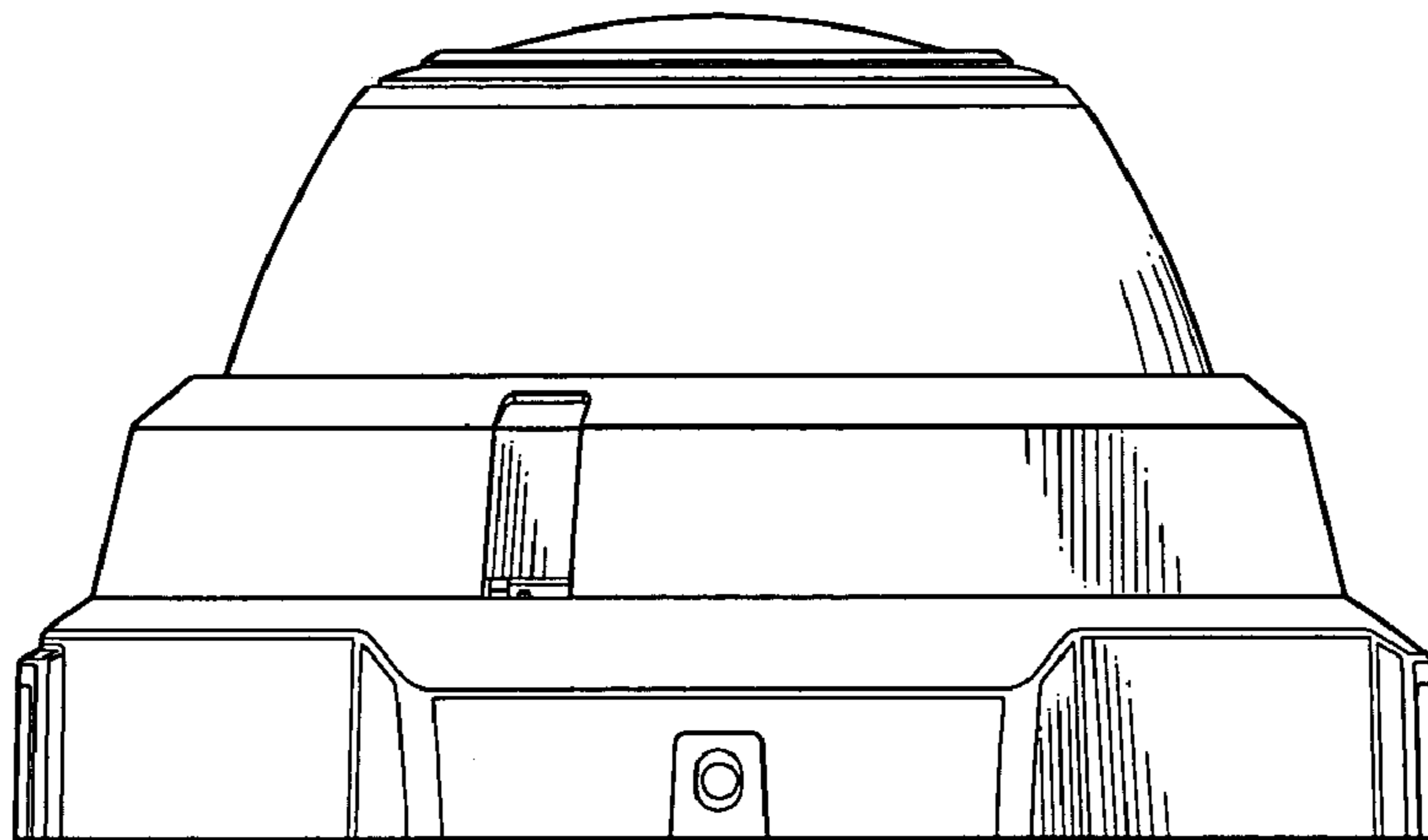


Figure 5

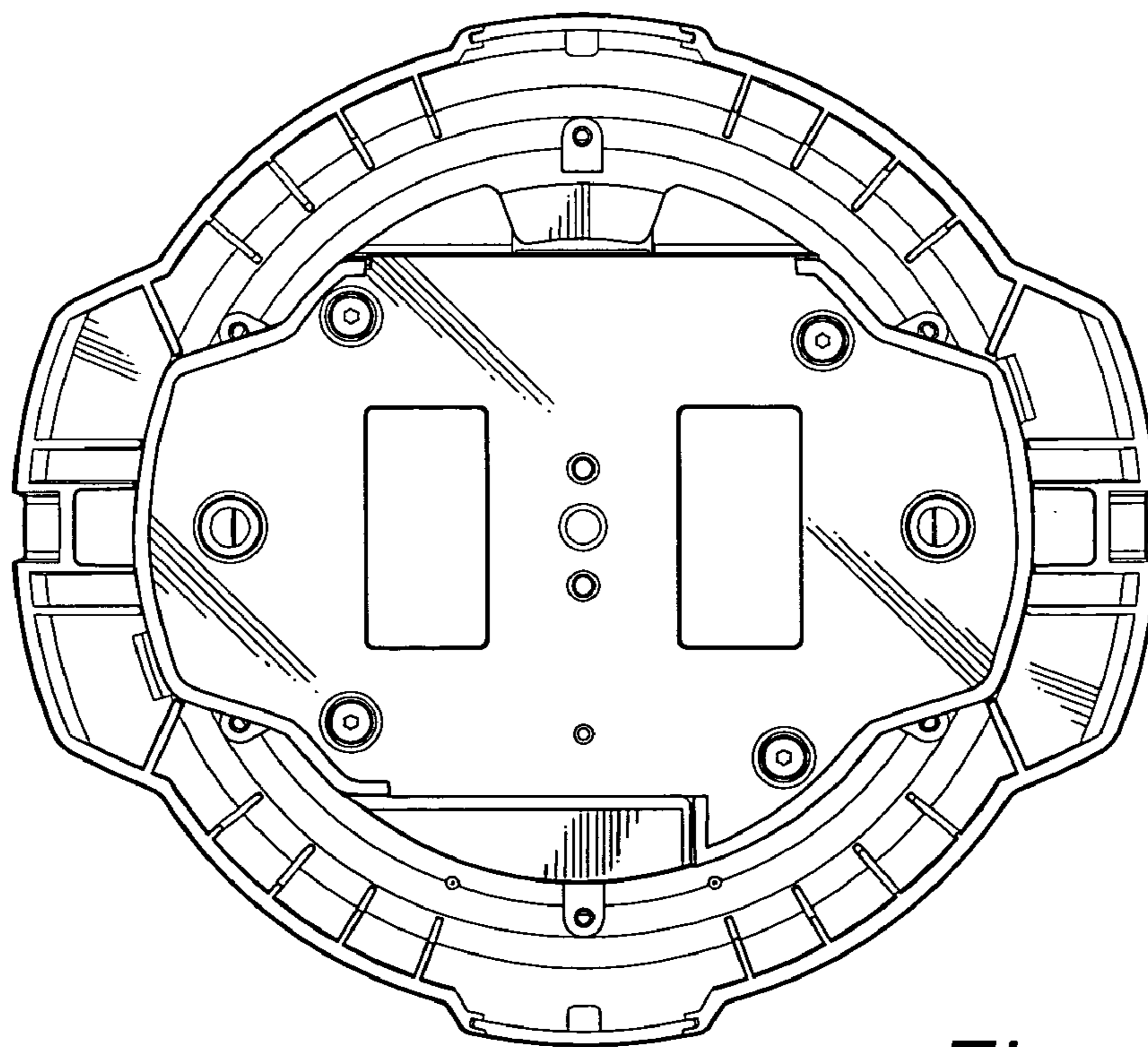


Figure 6

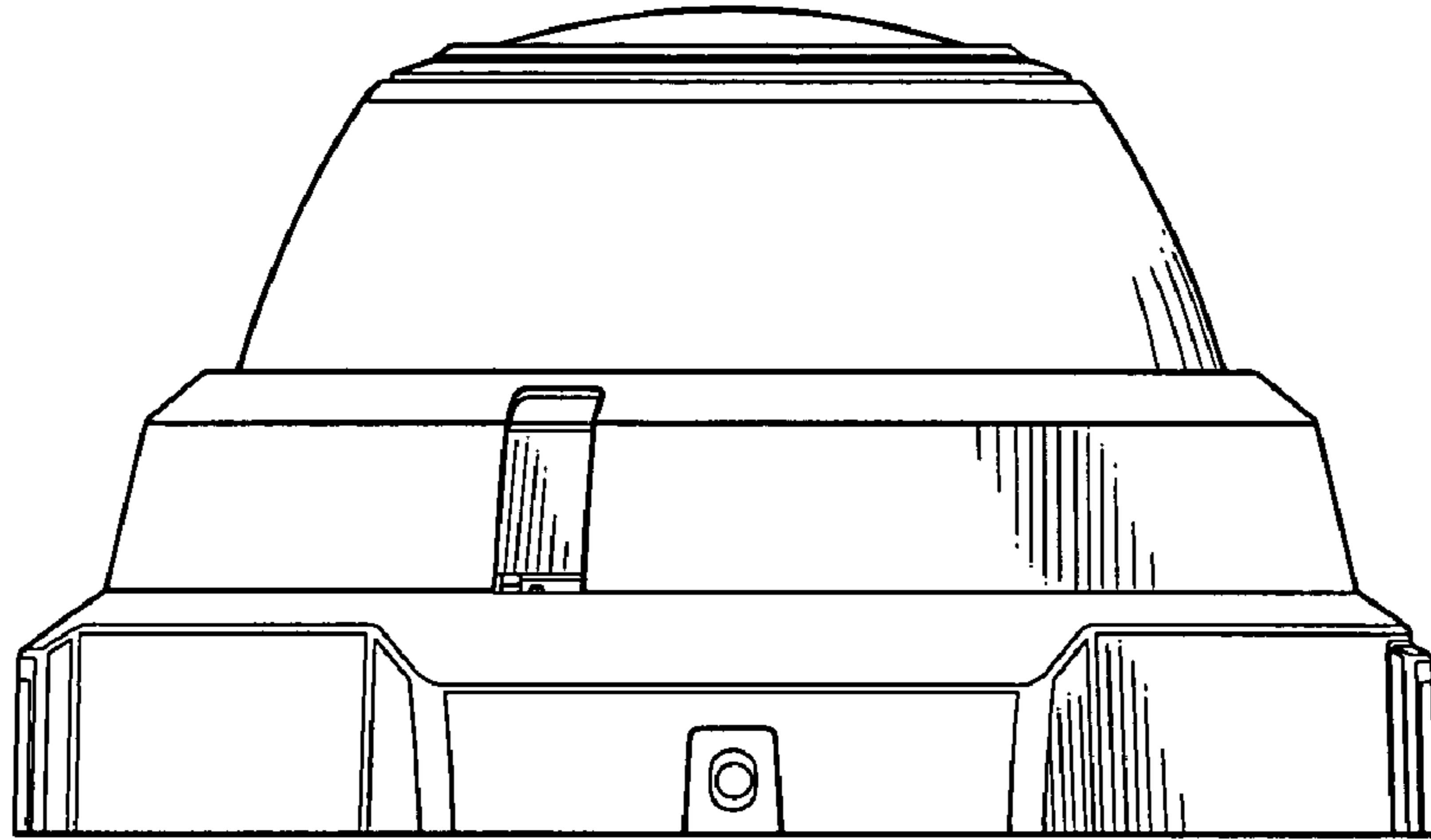


Figure 7

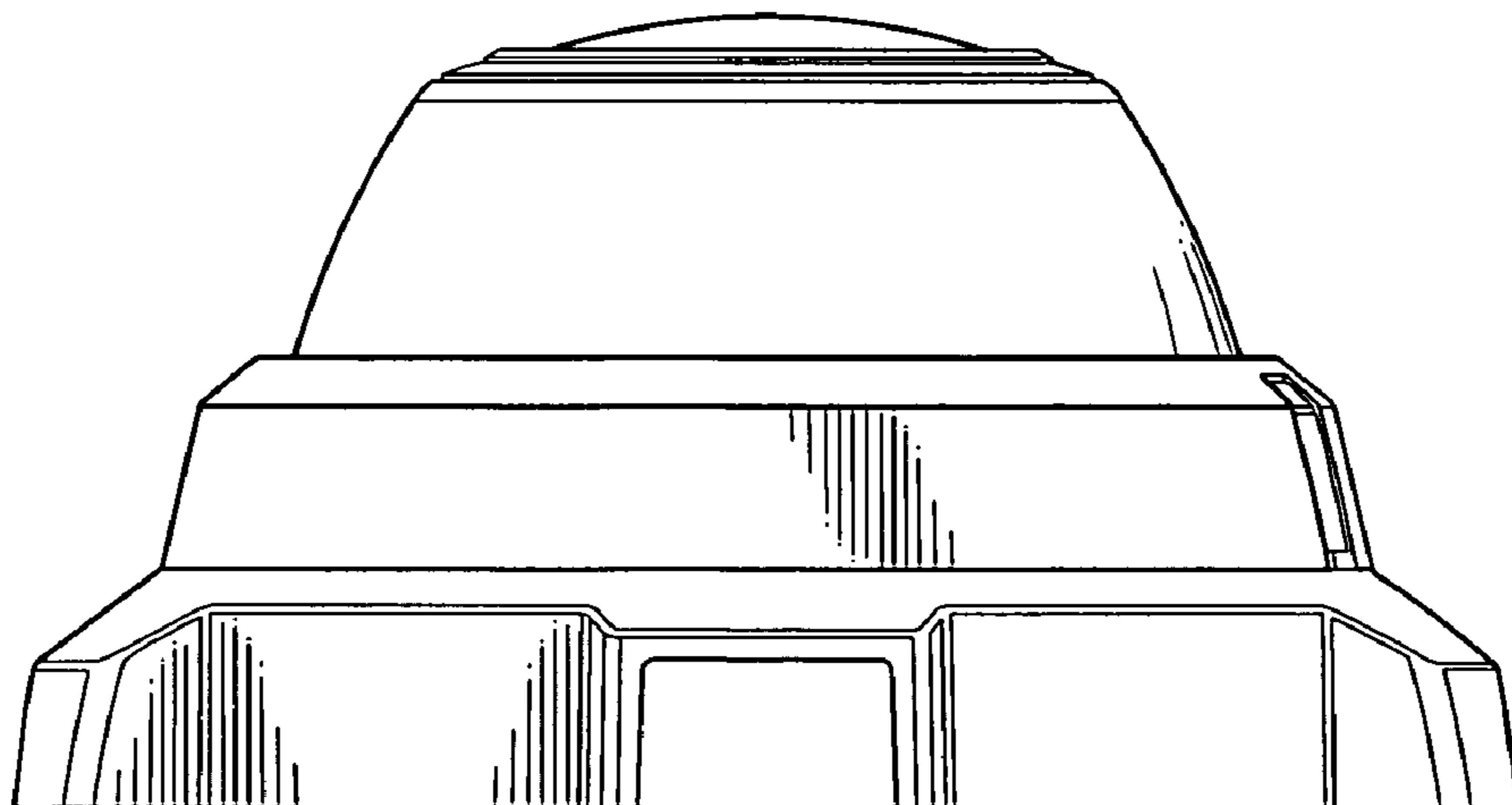


Figure 8