

US00D565626S

(12) **United States Design Patent**  
**Leyden**

(10) **Patent No.:** **US D565,626 S**  
(45) **Date of Patent:** **\*\* Apr. 1, 2008**

(54) **SURVEILLANCE DOME**

(75) Inventor: **Roger Leyden**, Inverness, IL (US)

(73) Assignee: **Se-Kure Controls, Inc.**, Franklin Park, IL (US)

(\*\*) Term: **14 Years**

(21) Appl. No.: **29/263,481**

(22) Filed: **Jul. 24, 2006**

(51) **LOC (8) Cl.** ..... **16-05**

(52) **U.S. Cl.** ..... **D16/219; D16/203**

(58) **Field of Classification Search** ..... D16/200–206, D16/219, 242, 245; D9/422, 428, 425, 426, D9/429; D7/672, 602, 629, 538–542; D11/143–154; D23/270–271, 273, 284, 303, 308; D26/79, D26/113, 123–124, 128; 353/28, 30, 79, 353/98–99, 119, 122; 355/122; 359/451, 359/455, 459, 443, 461, 221; 248/121, 122.1, 248/124.1, 124.2, 187.1, 918; 220/4.25, 220/908, 4.21, 4.24; 428/40.2; 47/65.5, 47/41.01; 4/662–663, 619; 348/14.01, 14.1, 348/373–376, 207.1, 143, 151; 396/535–541, 396/427

See application file for complete search history.

(56) **References Cited**

**U.S. PATENT DOCUMENTS**

716,668	A *	12/1902	Cheney	.....	D11/153
931,497	A *	8/1909	Schille	.....	220/252
1,348,134	A *	7/1920	Barnstead	.....	248/134
4,320,849	A *	3/1982	Yellin	.....	D7/538
D290,539	S *	6/1987	Jennette	.....	D34/13
5,762,413	A *	6/1998	Colucci et al.	.....	353/122

5,818,519	A *	10/1998	Wren	.....	348/373
6,460,453	B1 *	10/2002	Frauenfeld	.....	99/483
2005/0088631	A1 *	4/2005	Dwyer et al.	.....	353/119
2006/0102169	A1 *	5/2006	Smolinsky	.....	126/500
2007/0017915	A1 *	1/2007	Weder et al.	.....	220/4.21

**OTHER PUBLICATIONS**

Se-Kure Controls, Inc. - Catalog 105, pp. 26-29, published Jan. 2005.

\* cited by examiner

*Primary Examiner*—Ian Simmons

*Assistant Examiner*—Wan Laymon

(74) *Attorney, Agent, or Firm*—Wood, Phillips, Katz, Clark & Mortimer

(57) **CLAIM**

The ornamental design for a surveillance dome, as shown and described.

**DESCRIPTION**

FIG. 1 is a front, top and right side perspective view of a surveillance dome showing my new design;

FIG. 2 is a rear and bottom perspective view thereof;

FIG. 3 is a bottom view thereof;

FIG. 4 is a front elevation view thereof;

FIG. 5 is a rear elevation view thereof;

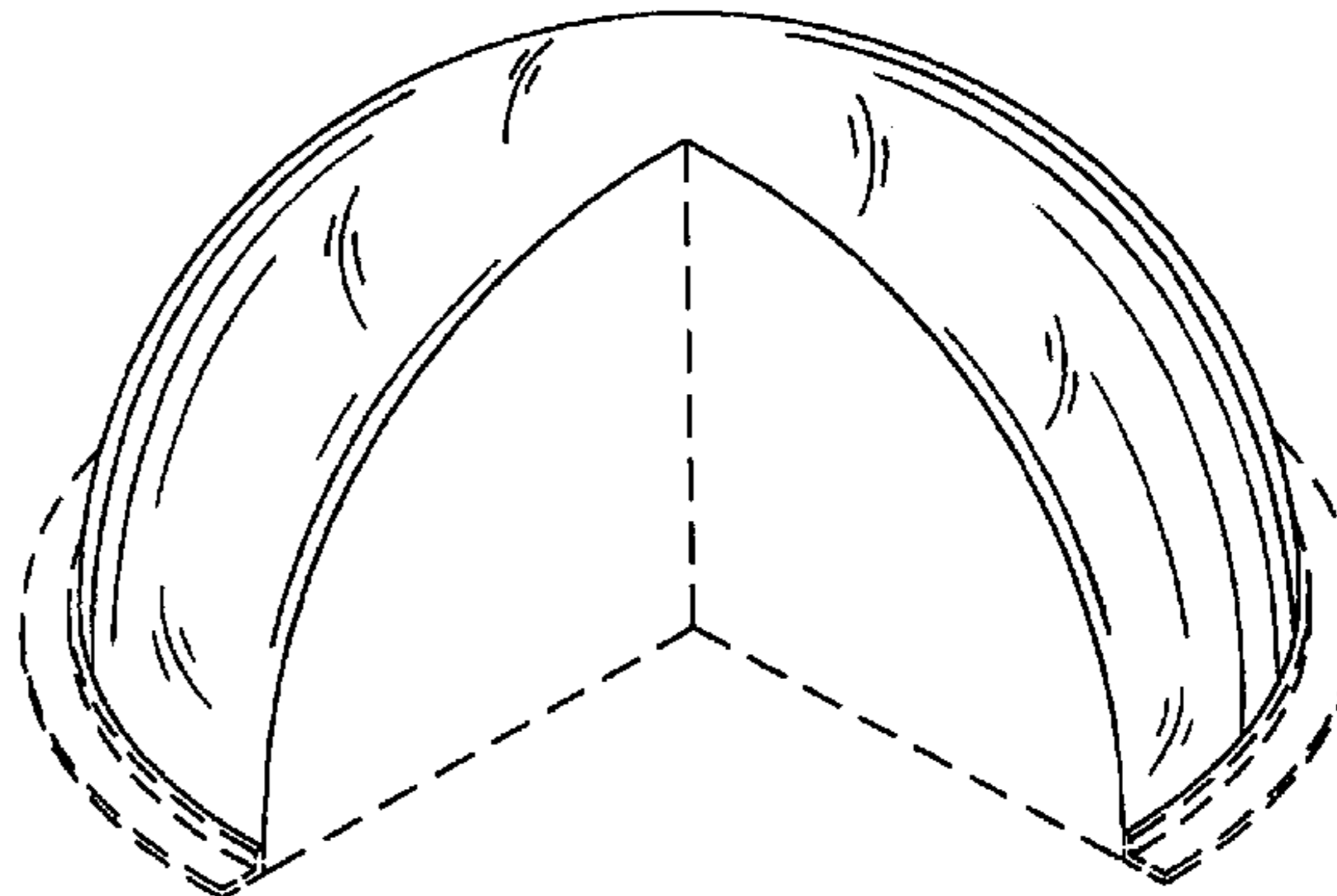
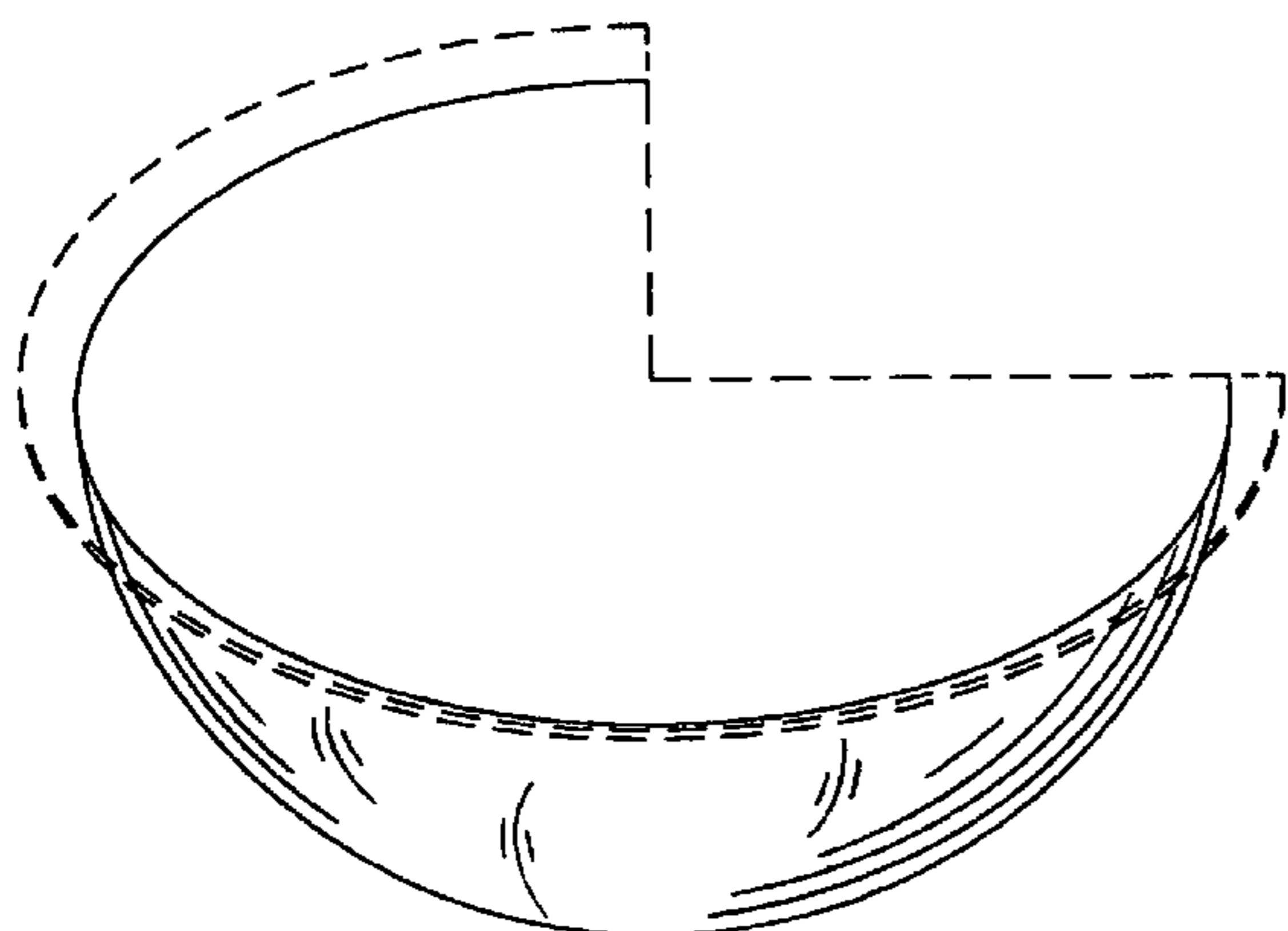
FIG. 6 is a top view thereof;

FIG. 7 is a left side elevation view thereof; and,

FIG. 8 is a right side elevation view thereof.

The broken lines in Figures are for illustrative purposes only and form no part of the claimed design.

**1 Claim, 4 Drawing Sheets**



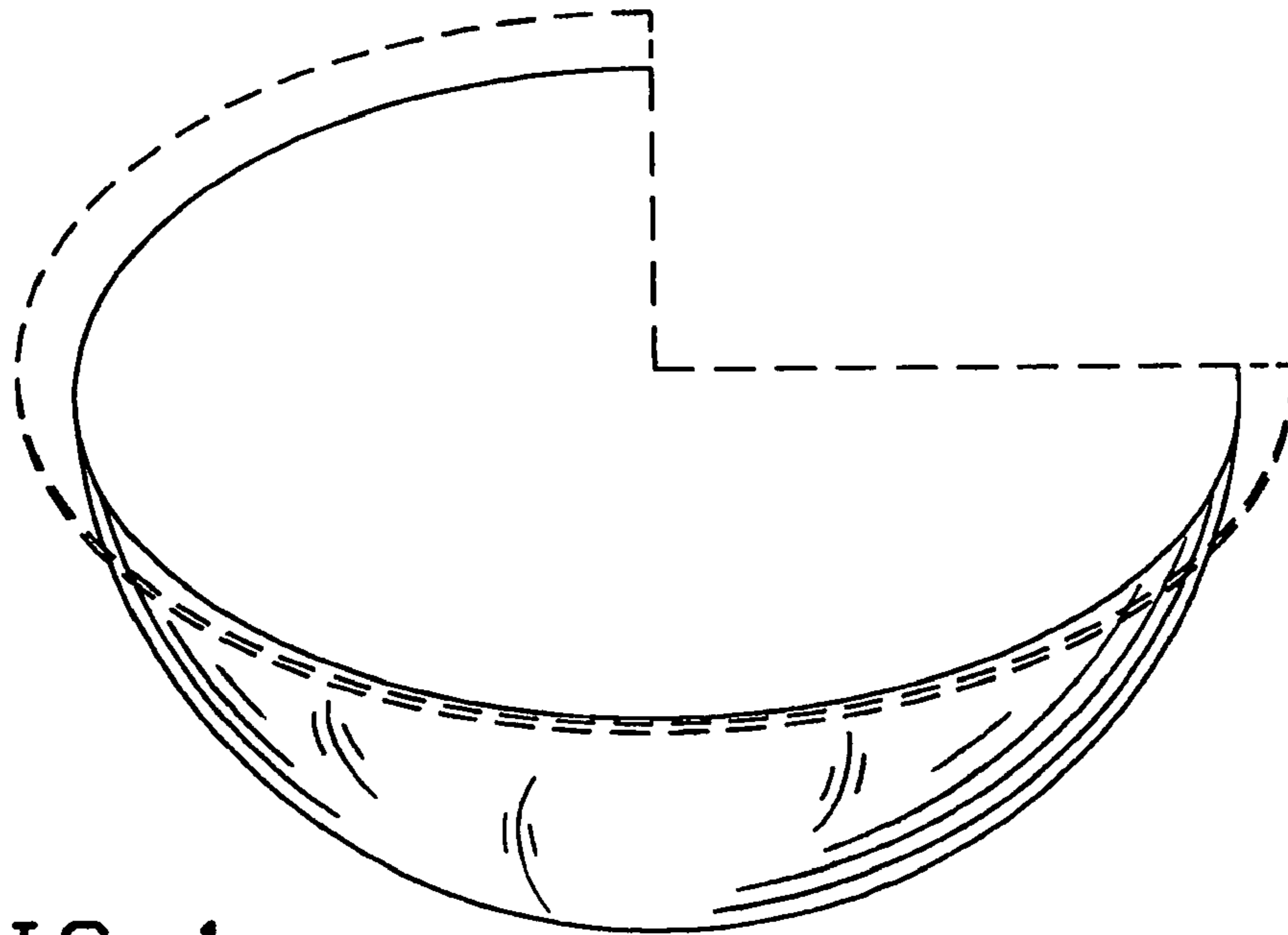


FIG. 1

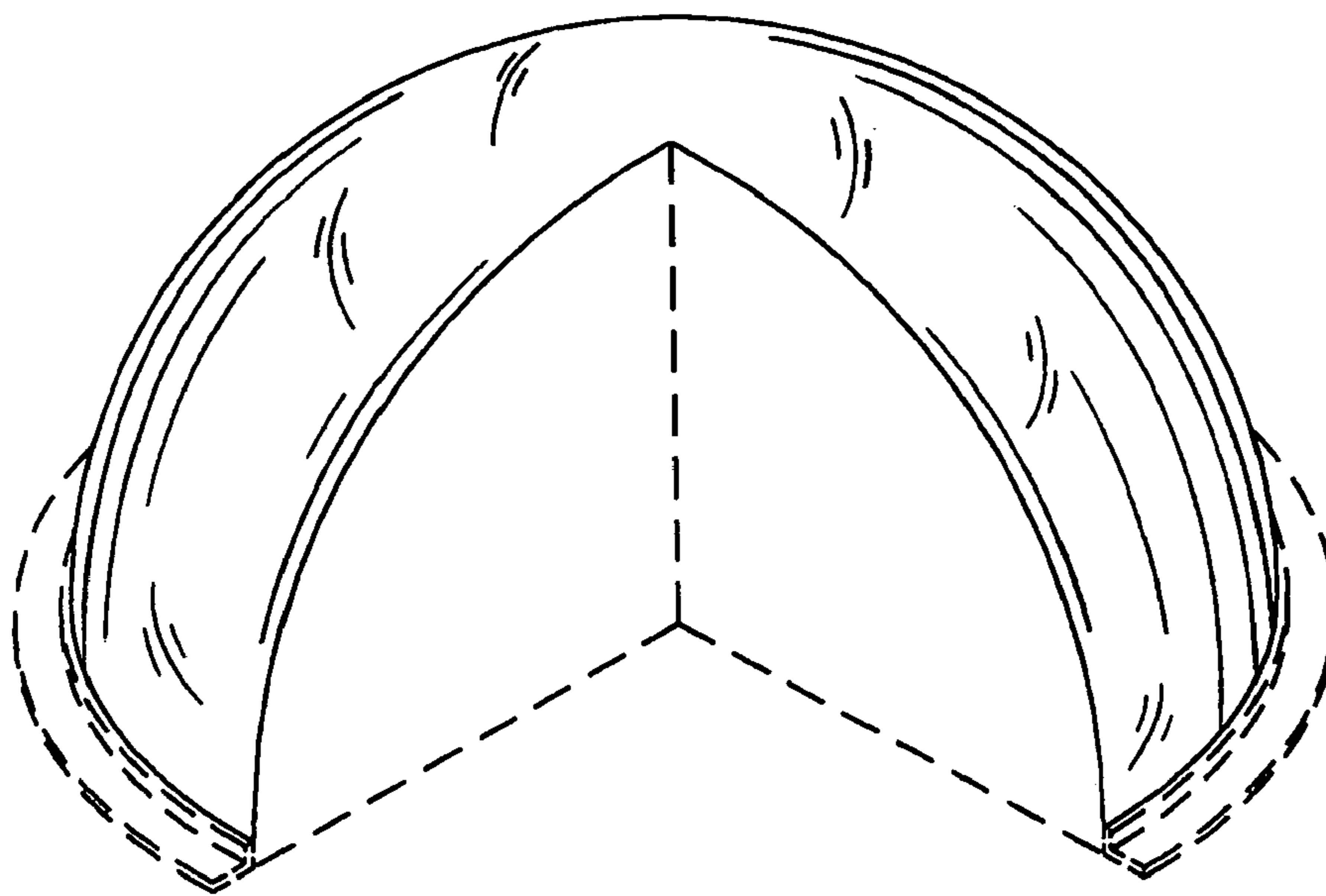


FIG. 2

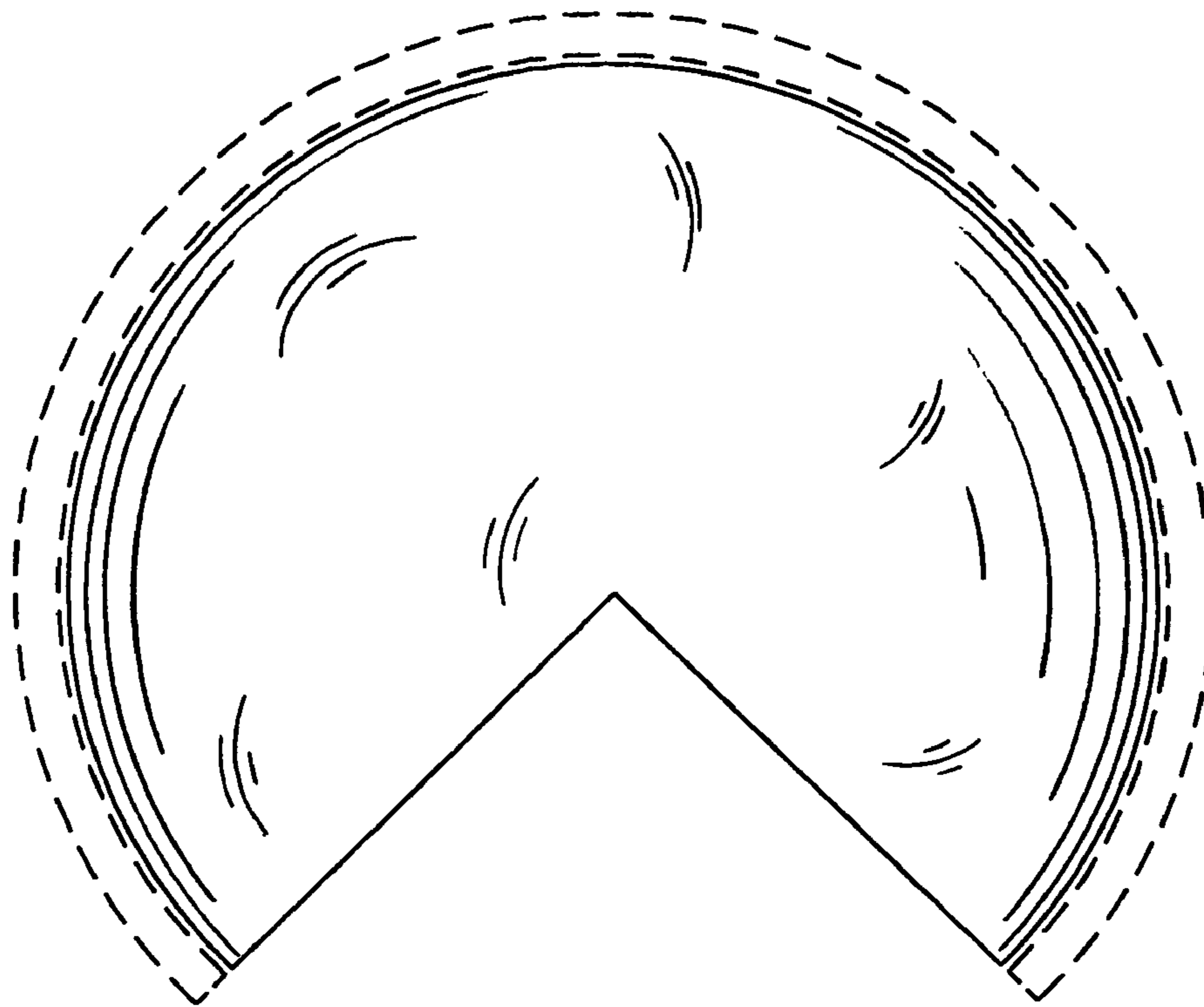


FIG. 3

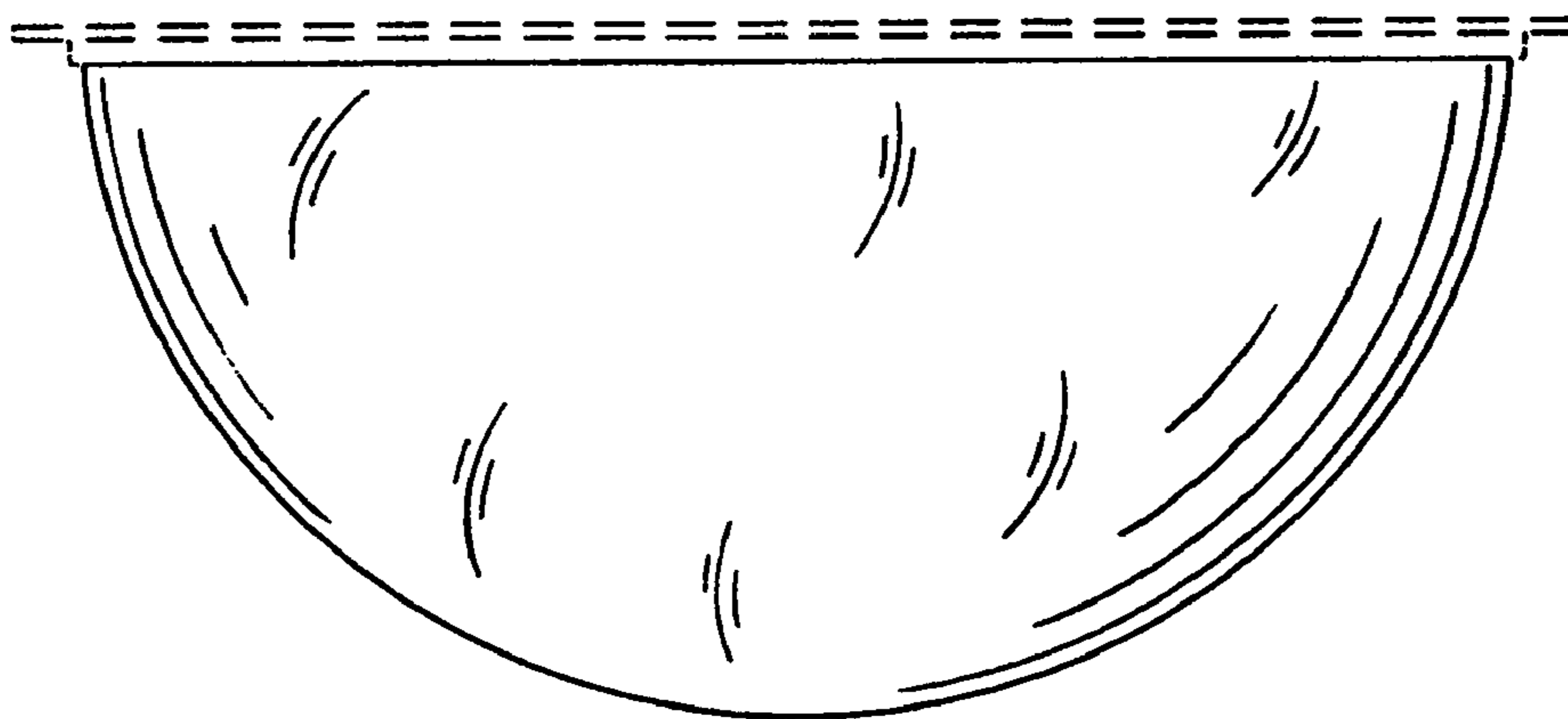


FIG. 4

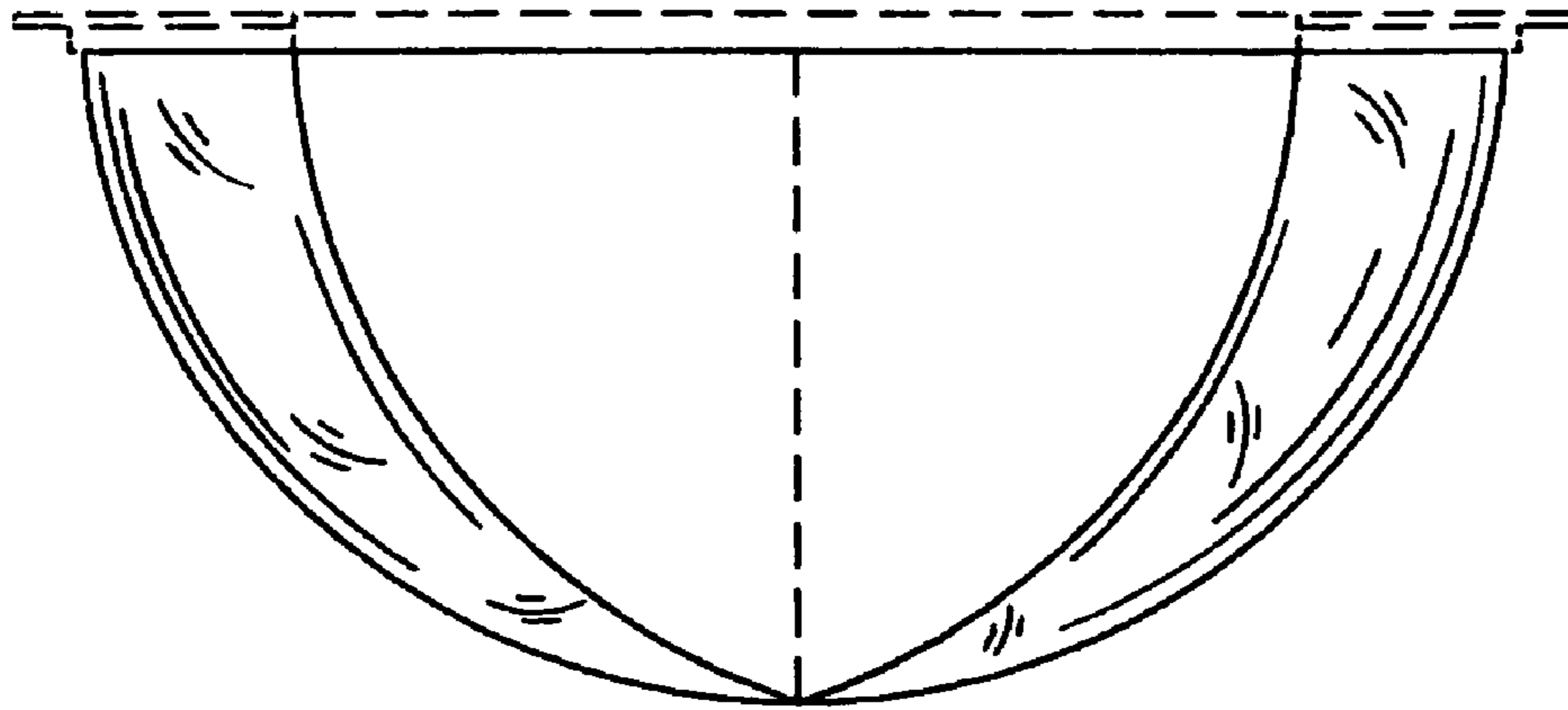


FIG. 5

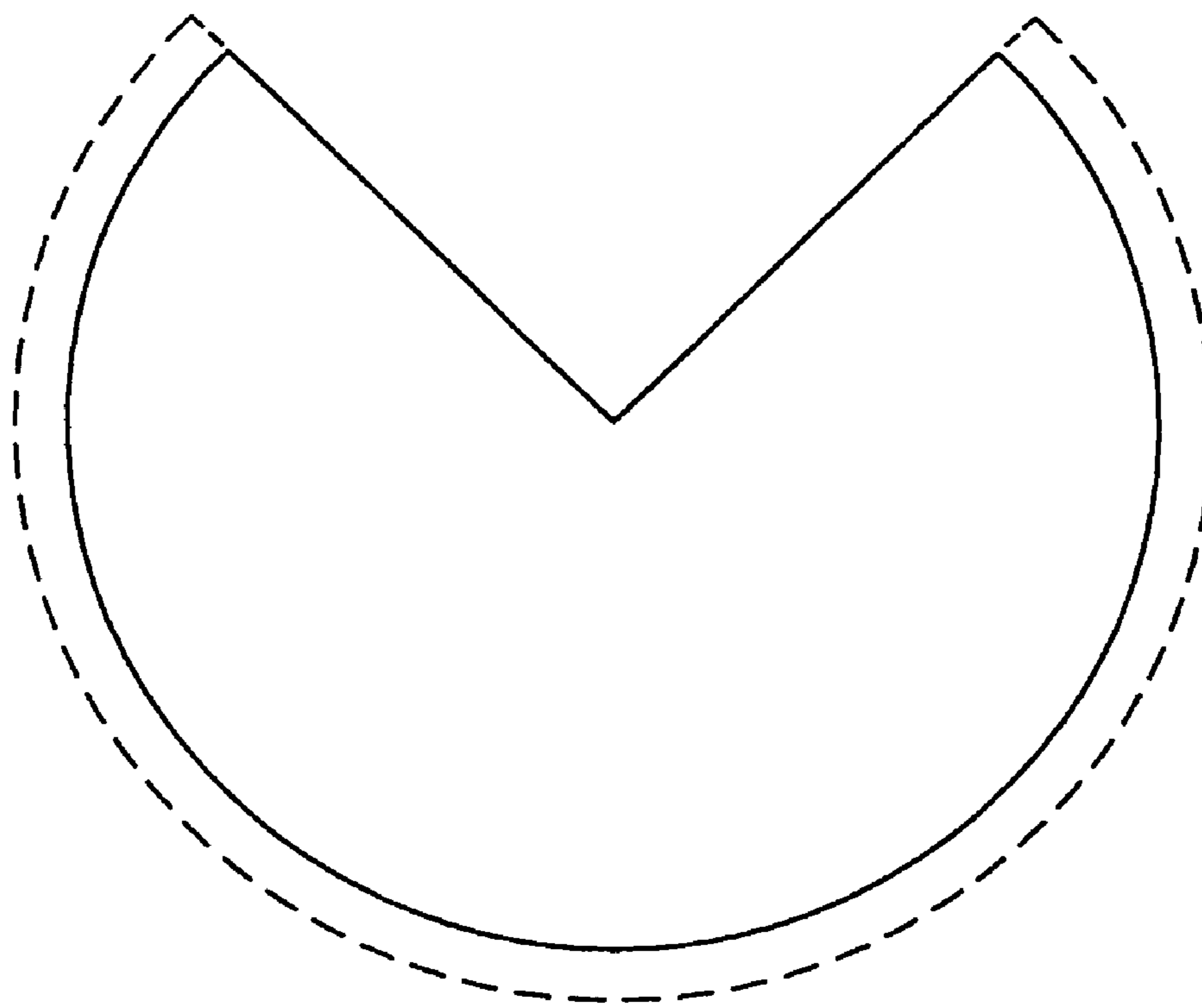


FIG. 6

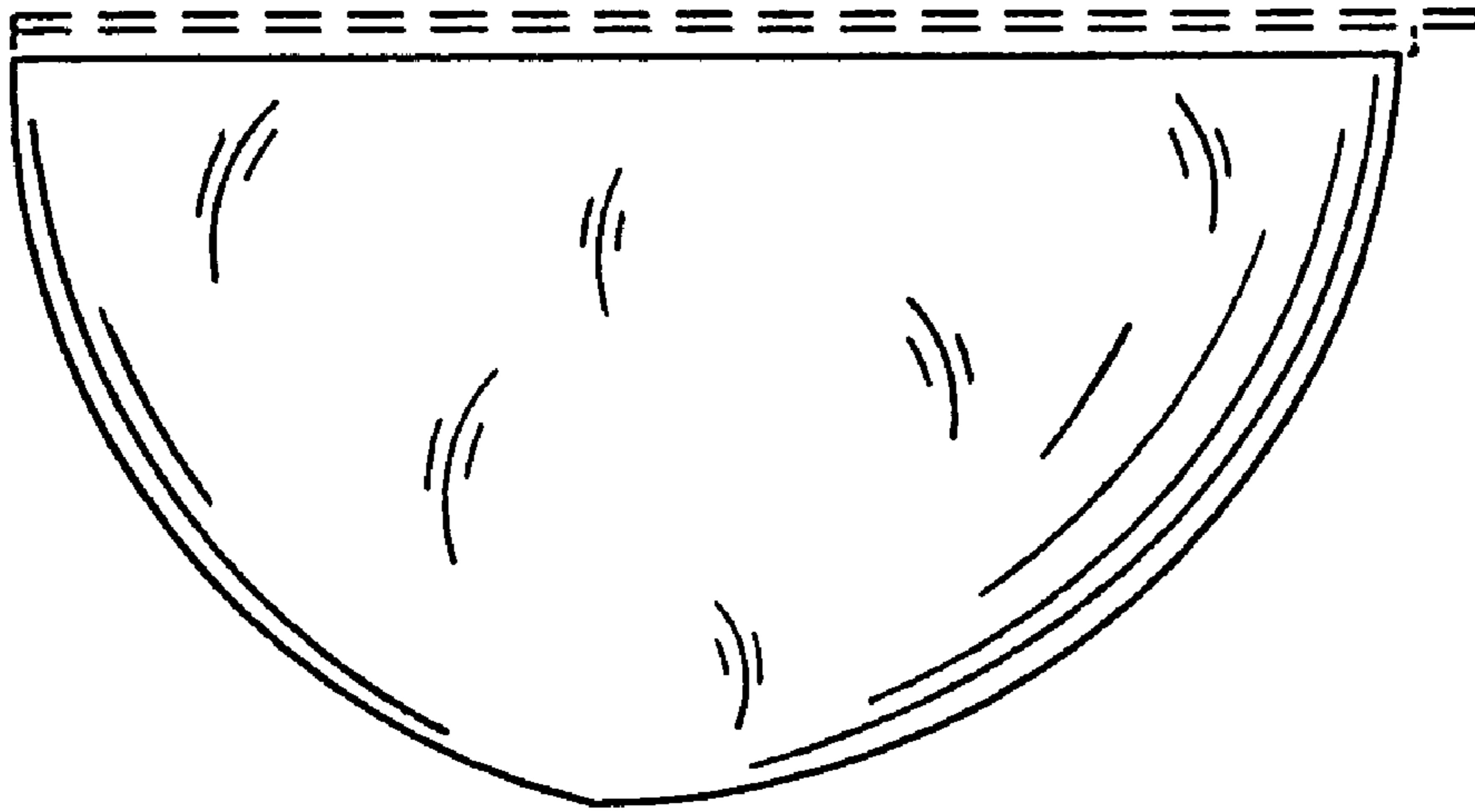


FIG. 7

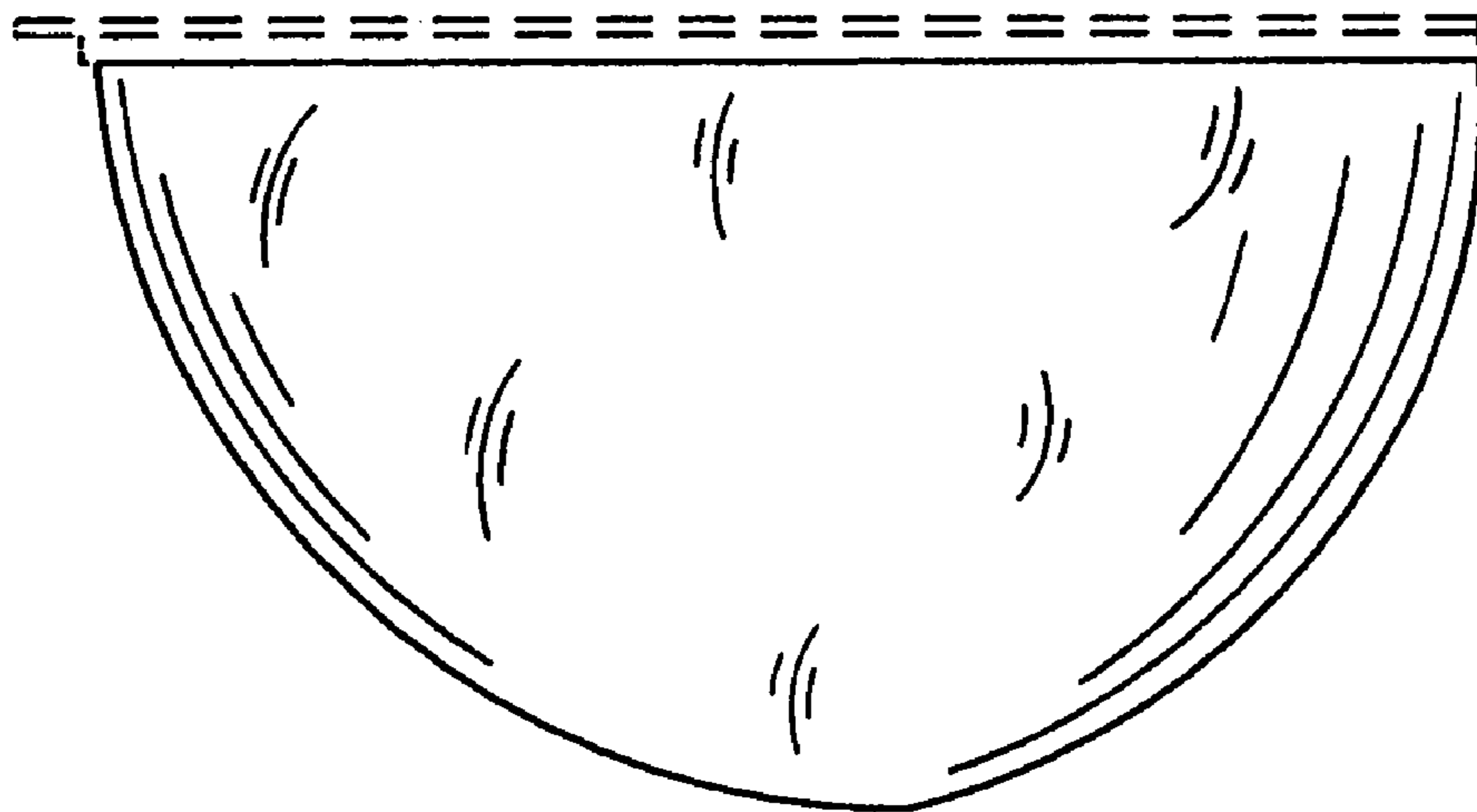


FIG. 8