



US00D565625S

(12) **United States Design Patent** (10) **Patent No.:** **US D565,625 S**
Ikenaga et al. (45) **Date of Patent:** **** Apr. 1, 2008**

(54) **CONTROL KNOB**

(75) Inventors: **Takashi Ikenaga**, Tokyo (JP); **Koichi Sadatsuki**, Tokyo (JP); **Shin Miyashita**, Tokyo (JP); **Minoru Shimizu**, Tokyo (JP); **Hiroshi Yasutomi**, Tokyo (JP)

(73) Assignee: **Sony Corporation**, Tokyo (JP)

(**) Term: **14 Years**

(21) Appl. No.: **29/262,110**

(22) Filed: **Jun. 27, 2006**

(30) **Foreign Application Priority Data**

Dec. 27, 2005 (JP) 2005-038149

(51) **LOC (8) Cl.** **16-05**

(52) **U.S. Cl.** **D16/219; D16/202**

(58) **Field of Classification Search** D8/300,
D8/310-313, 370; D16/200-205, 208, 217-219;
348/373-376; 396/535-541; 358/909.1
See application file for complete search history.

(56) **References Cited**

U.S. PATENT DOCUMENTS

D131,631 S *	3/1942	Lawrence	D16/218
D176,508 S *	1/1956	Enos et al.	D8/311
D189,142 S *	11/1960	Heckman et al.	D8/311
D379,823 S *	6/1997	Haga	D16/217
D402,269 S *	12/1998	Waters	D13/171
D429,747 S *	8/2000	Tanaka	D16/219
D451,940 S *	12/2001	Haga	D16/217
D515,125 S *	2/2006	Onuma	D16/219

OTHER PUBLICATIONS

U.S. Appl. No. 29/260,657, filed May 31, 2006, Shimizu.
U.S. Appl. No. 29/262,110, filed Jun. 27, 2006, Ikenaga et al.

U.S. Appl. No. 29/260,656, filed May 31, 2006, Yasutomi.
U.S. Appl. No. 29/260,758, filed Jun. 1, 2006, Ikenaga.
U.S. Appl. No. 29/260,814, filed Jun. 2, 2006, Ikenaga.
U.S. Appl. No. 29/262,110, filed Jun. 27, 2006, Ikenaga, et al.
U.S. Appl. No. 29/260,751, filed Jun. 1, 2006, Sadatsuki.

* cited by examiner

Primary Examiner—Ian Simmons

Assistant Examiner—Wan Laymon

(74) *Attorney, Agent, or Firm*—Oblon, Spivak, McClelland, Maier & Neustadt, P.C.

(57) **CLAIM**

The ornamental design for a control knob, as shown and described.

DESCRIPTION

The design of the present application is directed to a control knob that can be used, for example, on a camera or video camera.

FIG. 1 is a top and right front perspective view of a control knob, showing our design;

FIG. 2 is a front elevational view thereof;

FIG. 3 is a rear elevational view thereof;

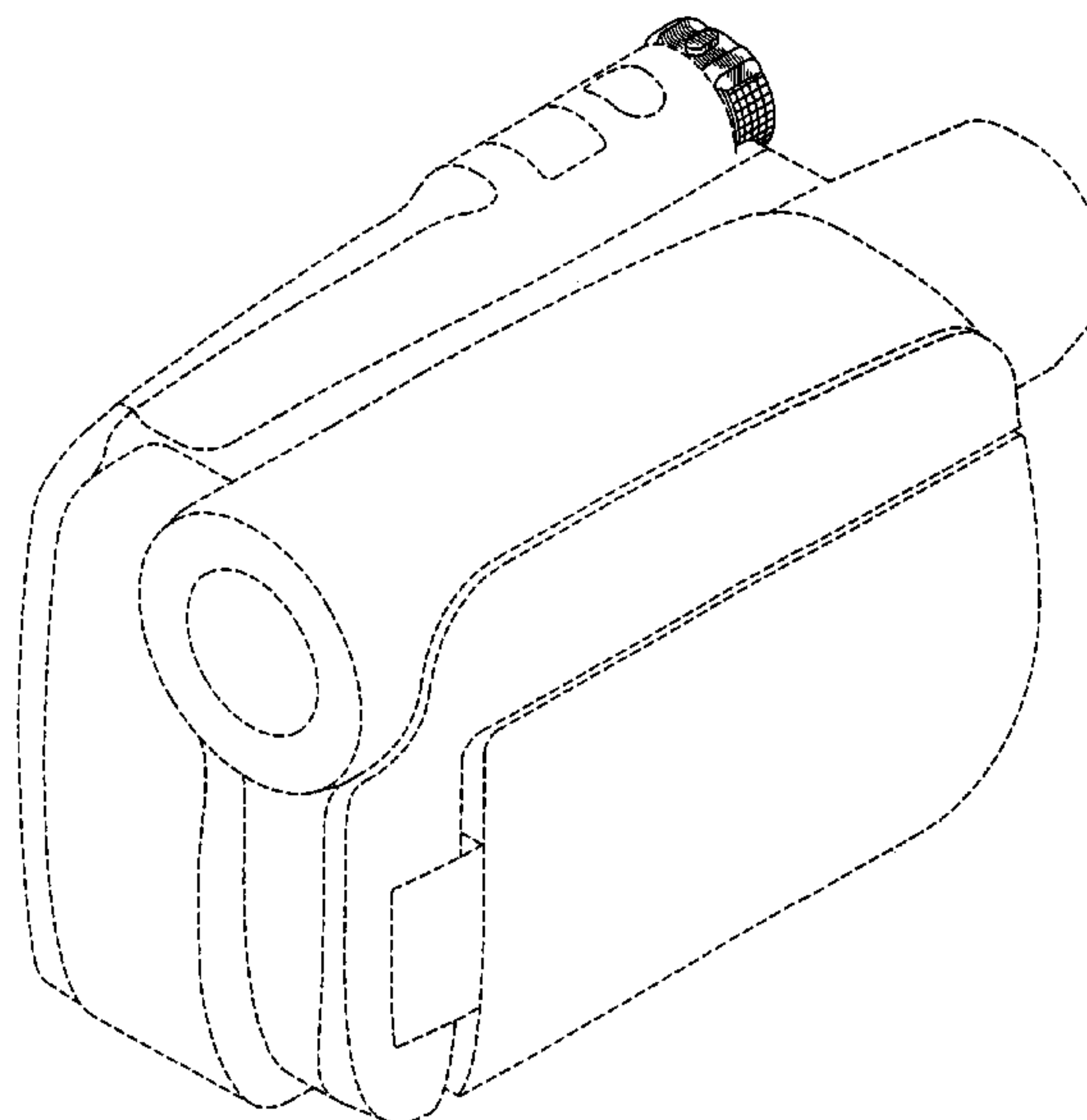
FIG. 4 is a left side elevational view thereof;

FIG. 5 is a right side elevational view thereof; and,

FIG. 6 is a top plan view thereof.

The phantom lines shown in the figures are shown for illustrative purposes only and form no part of the claimed design.

1 Claim, 6 Drawing Sheets



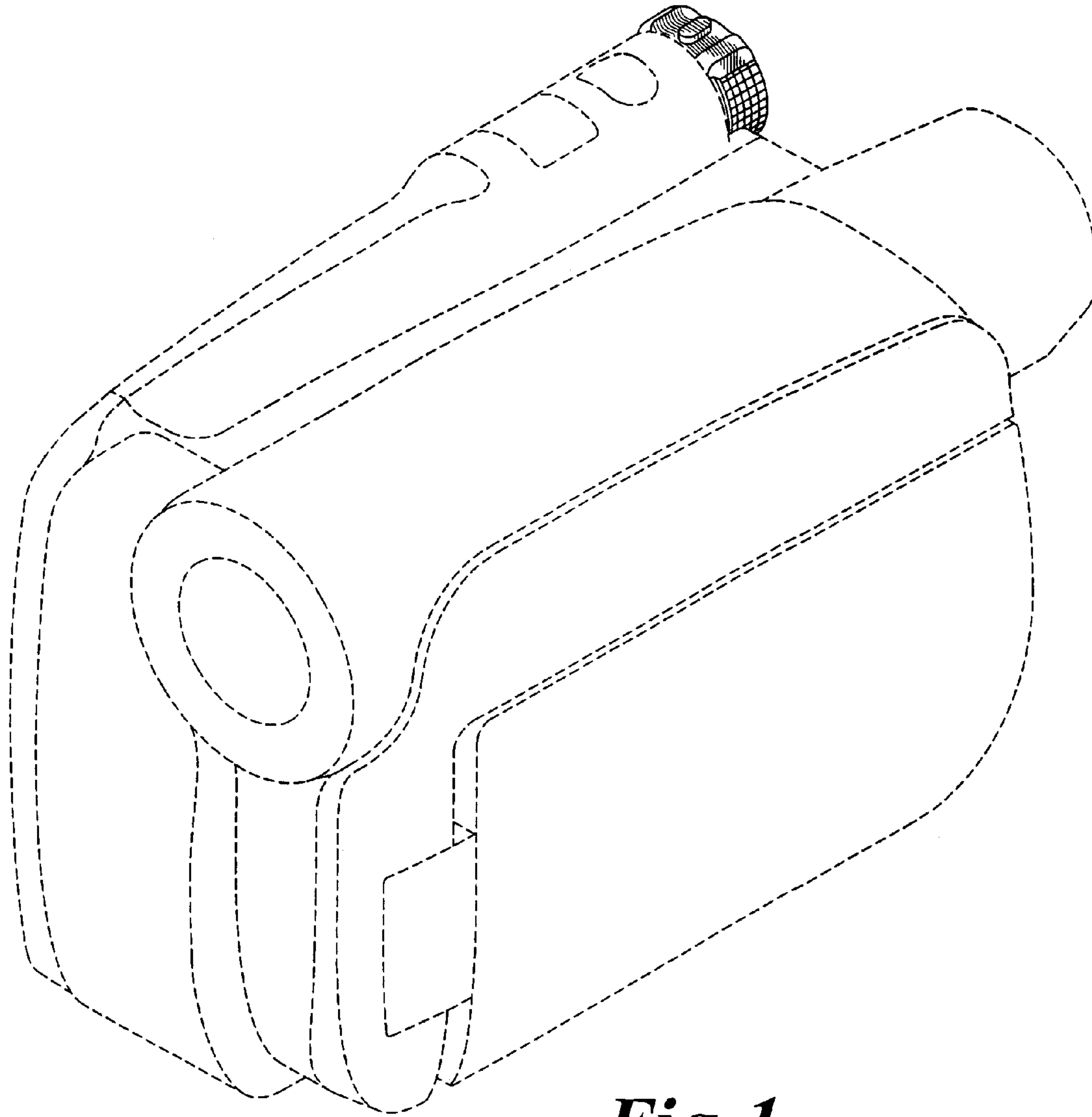


Fig. 1

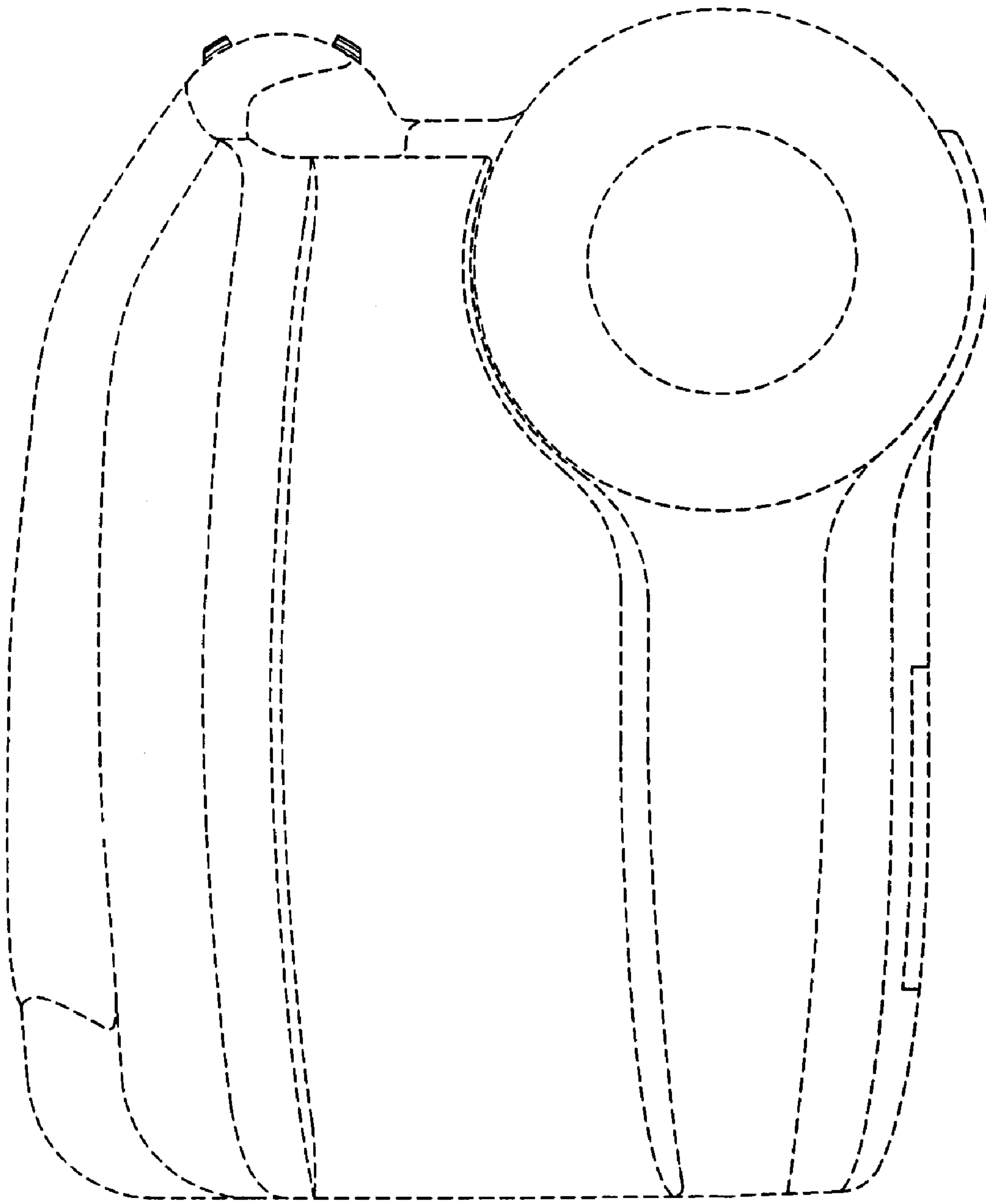


Fig. 2

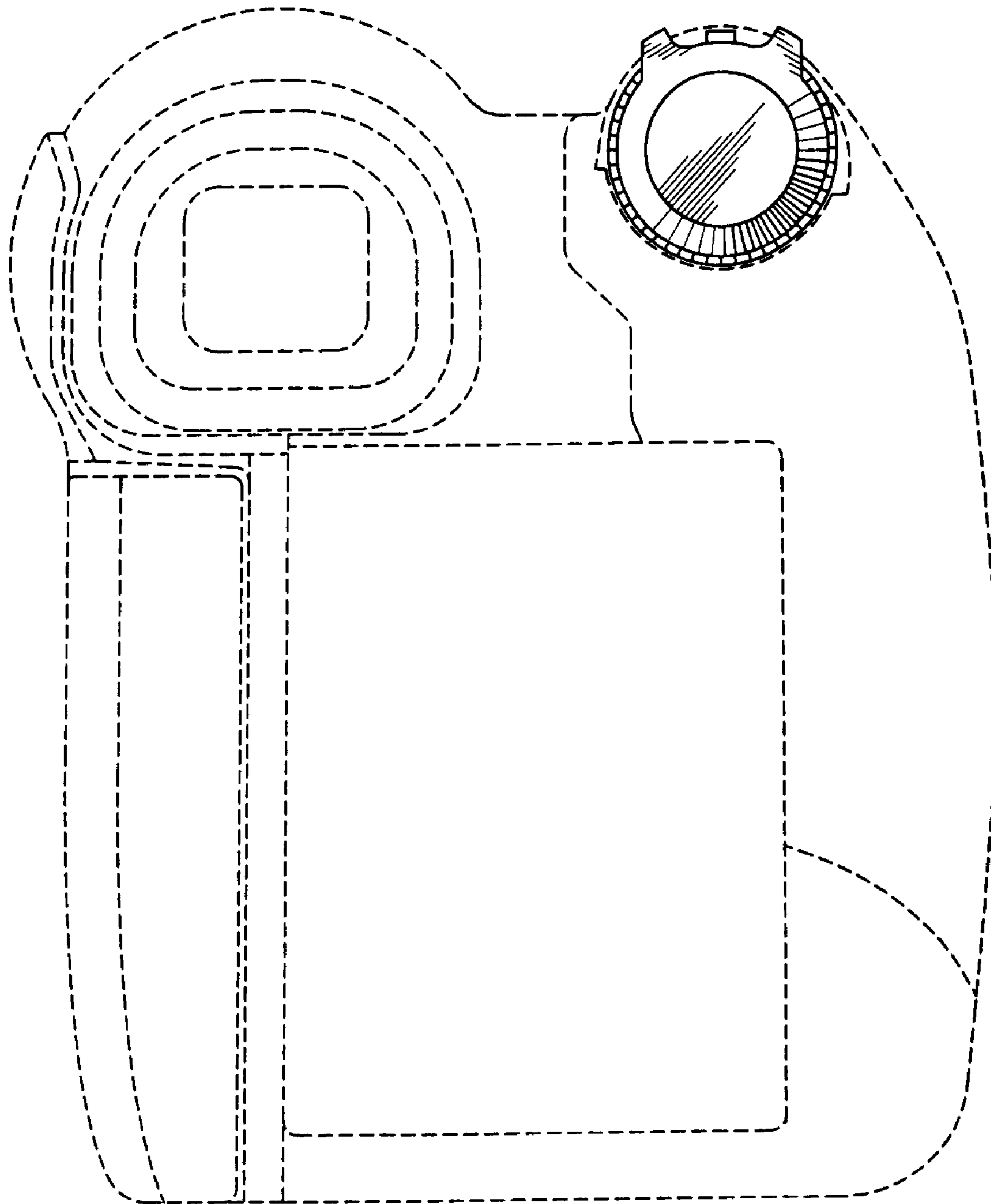


Fig. 3

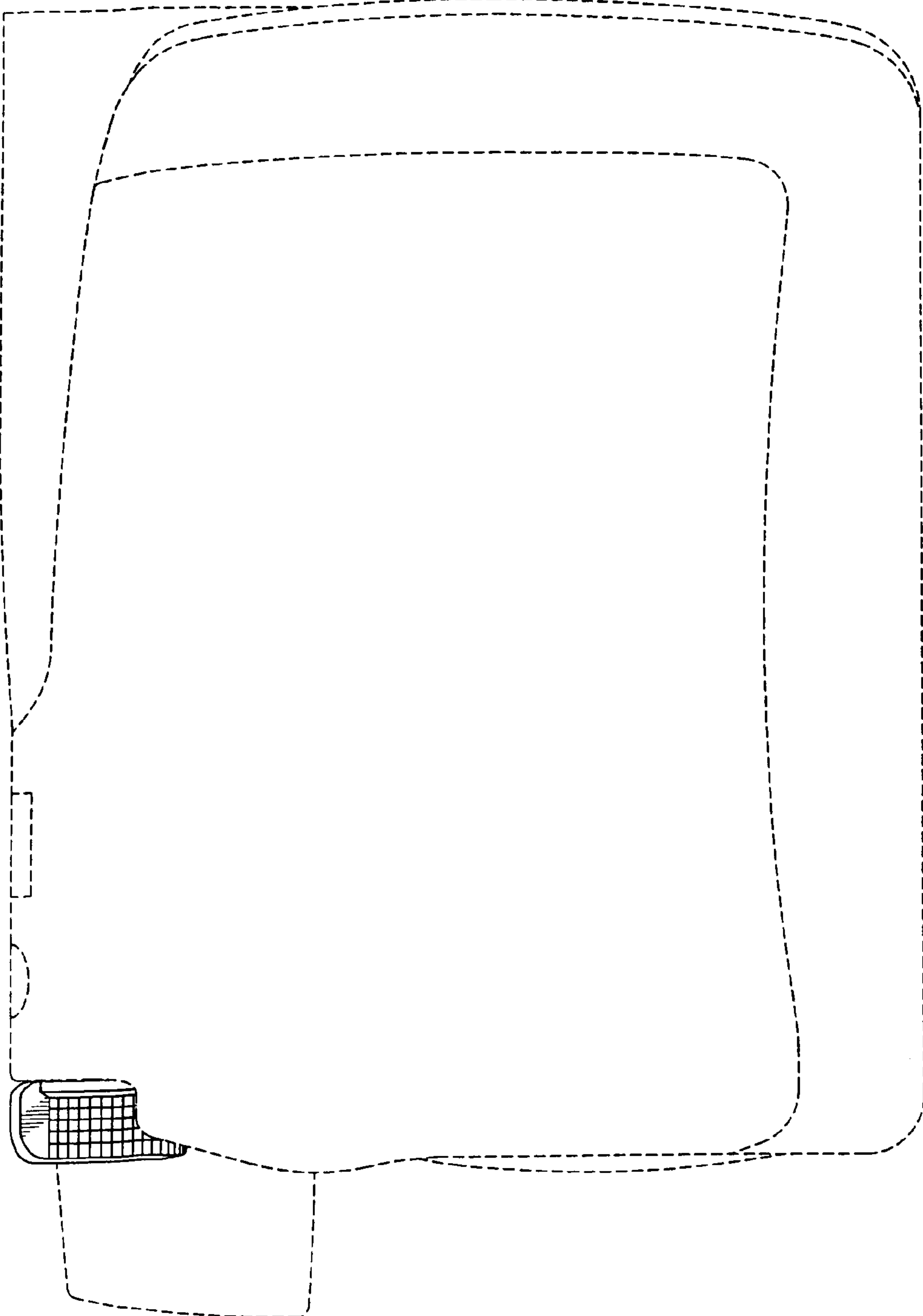


Fig. 4

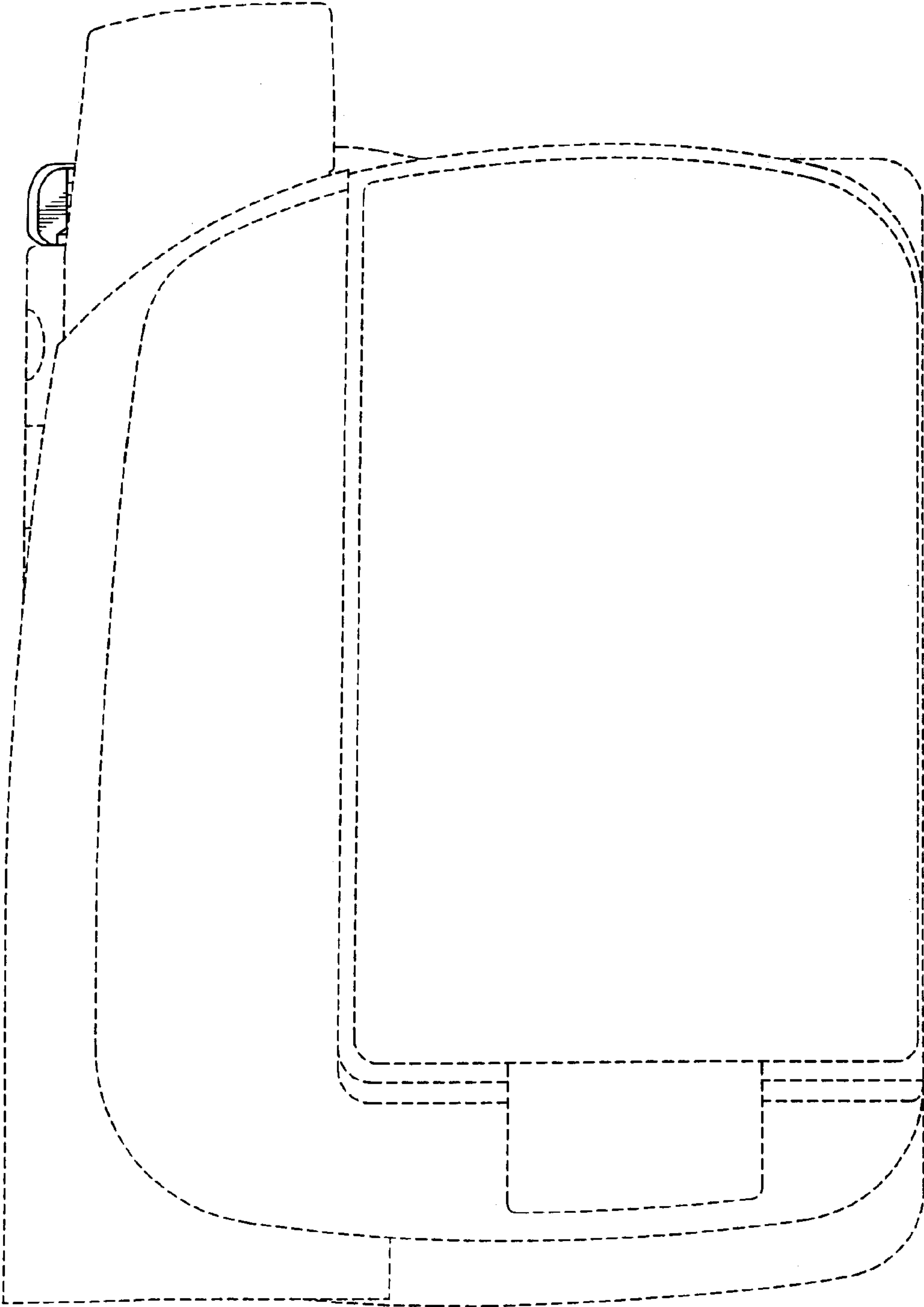


Fig. 5

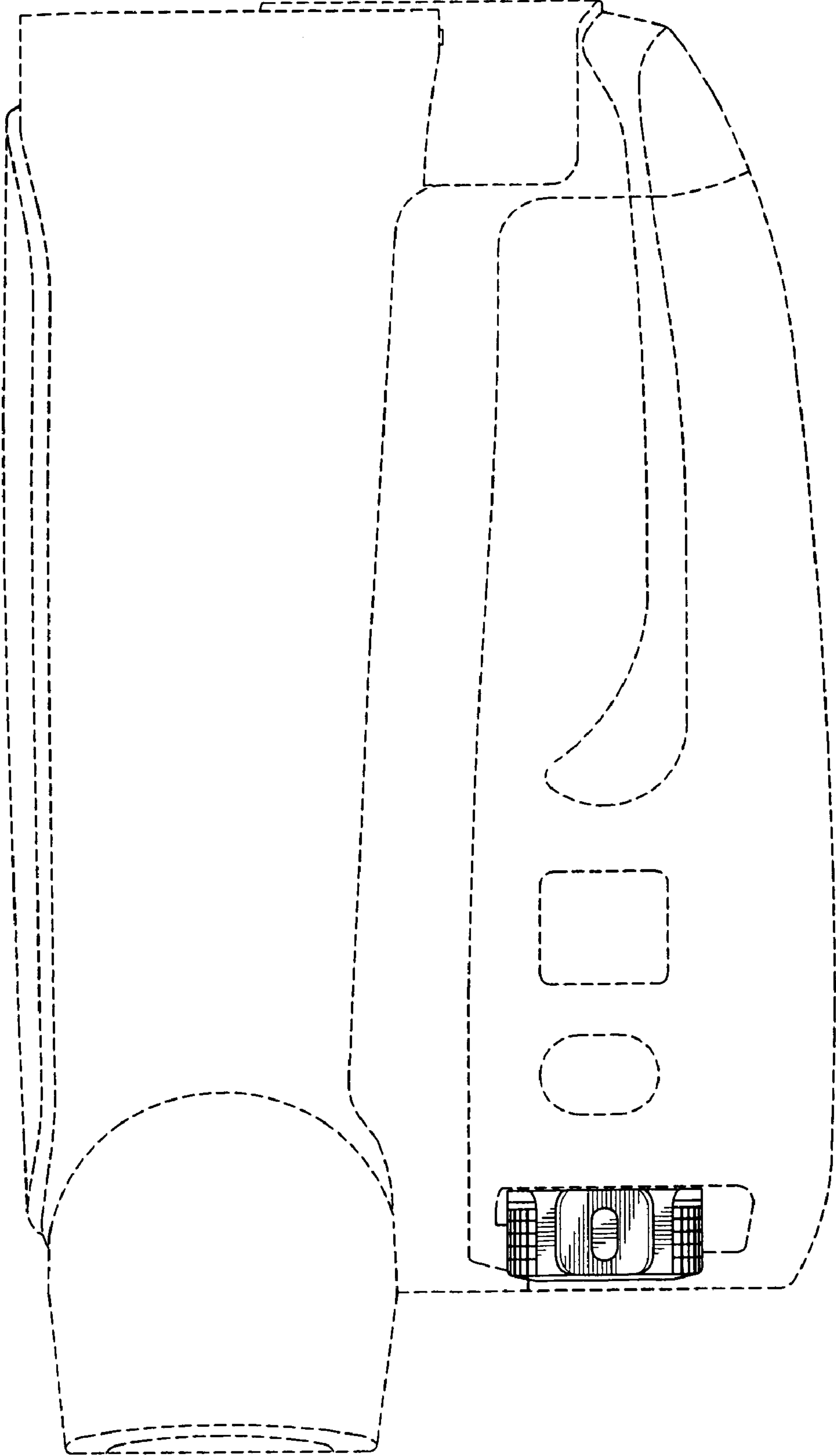


Fig. 6