

US00D565624S

(12) **United States Design Patent**
Inaba

(10) **Patent No.:** **US D565,624 S**

(45) **Date of Patent:** **** Apr. 1, 2008**

(54) **DIGITAL CAMERA**

D511,763 S * 11/2005 Deguchi D14/167

(75) Inventor: **Toshiya Inaba**, Tokyo (JP)

(73) Assignee: **PENTAX Corporation**, Tokyo (JP)

(**) Term: **14 Years**

(21) Appl. No.: **29/254,331**

(22) Filed: **Feb. 23, 2006**

(30) **Foreign Application Priority Data**

Aug. 25, 2005 (JP) 2005-024549

(51) **LOC (8) Cl.** **16-05**

(52) **U.S. Cl.** **D16/219; D16/202**

(58) **Field of Classification Search** D14/217,
D14/299, 160-168; D16/200-206, 208-209,
D16/218-219, 243; 348/373-376; 358/906,
358/909.1; 396/6, 535-541

See application file for complete search history.

(56) **References Cited**

U.S. PATENT DOCUMENTS

- D413,613 S * 9/1999 Katayama D16/202
- D447,499 S * 9/2001 Jin D16/202
- D447,759 S * 9/2001 Jin D16/209
- 6,542,700 B2 * 4/2003 Ito 396/535
- D495,351 S * 8/2004 Yi D16/202
- D501,865 S * 2/2005 Li et al. D16/219
- D508,065 S * 8/2005 Dow et al. D16/202

OTHER PUBLICATIONS

U.S. Appl. No. 29/270,762, filed Jan. 4, 2007, Tetsuji Kuroda.

U.S. Appl. No. 29/254,333, filed Feb. 23, 2006, Toshiya Inaba.

* cited by examiner

Primary Examiner—Ian Simmons

Assistant Examiner—Wan Laymon

(74) *Attorney, Agent, or Firm*—Sughrue Mion, PLLC

(57) **CLAIM**

The ornamental design for a digital camera, as shown and described.

DESCRIPTION

FIG. 1 is a perspective view of the top, front and right side of a digital camera showing my new design;

FIG. 2 is a perspective view of the top, rear and left side thereof;

FIG. 3 is a top plan view thereof;

FIG. 4 is a front elevational view thereof;

FIG. 5 is a left side elevational view thereof;

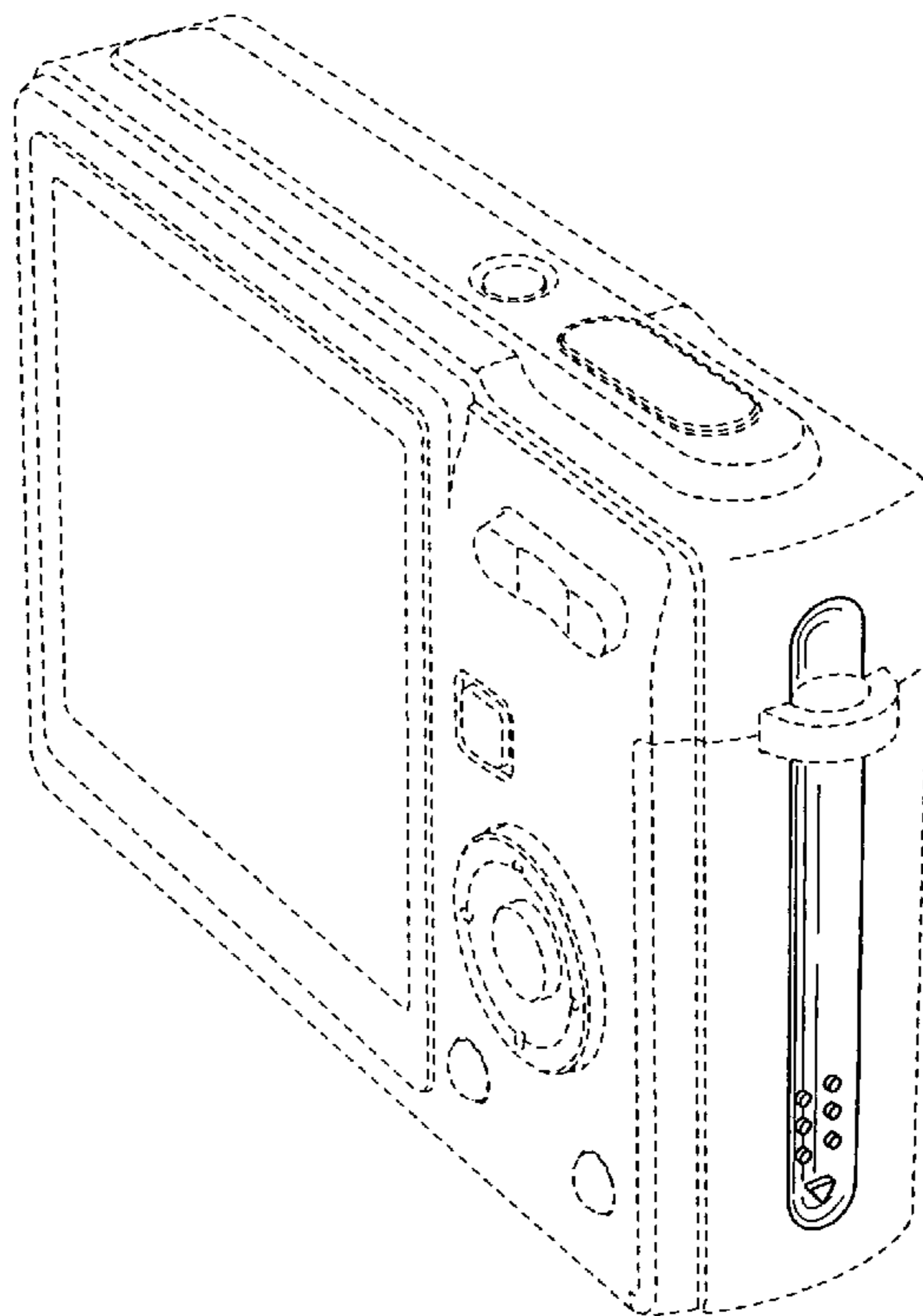
FIG. 6 is a right side elevational view thereof;

FIG. 7 is a rear elevational view thereof; and,

FIG. 8 is a bottom plan view thereof.

The portions shown in broken lines are for illustrative purposes only and form no part of the claimed design.

1 Claim, 5 Drawing Sheets



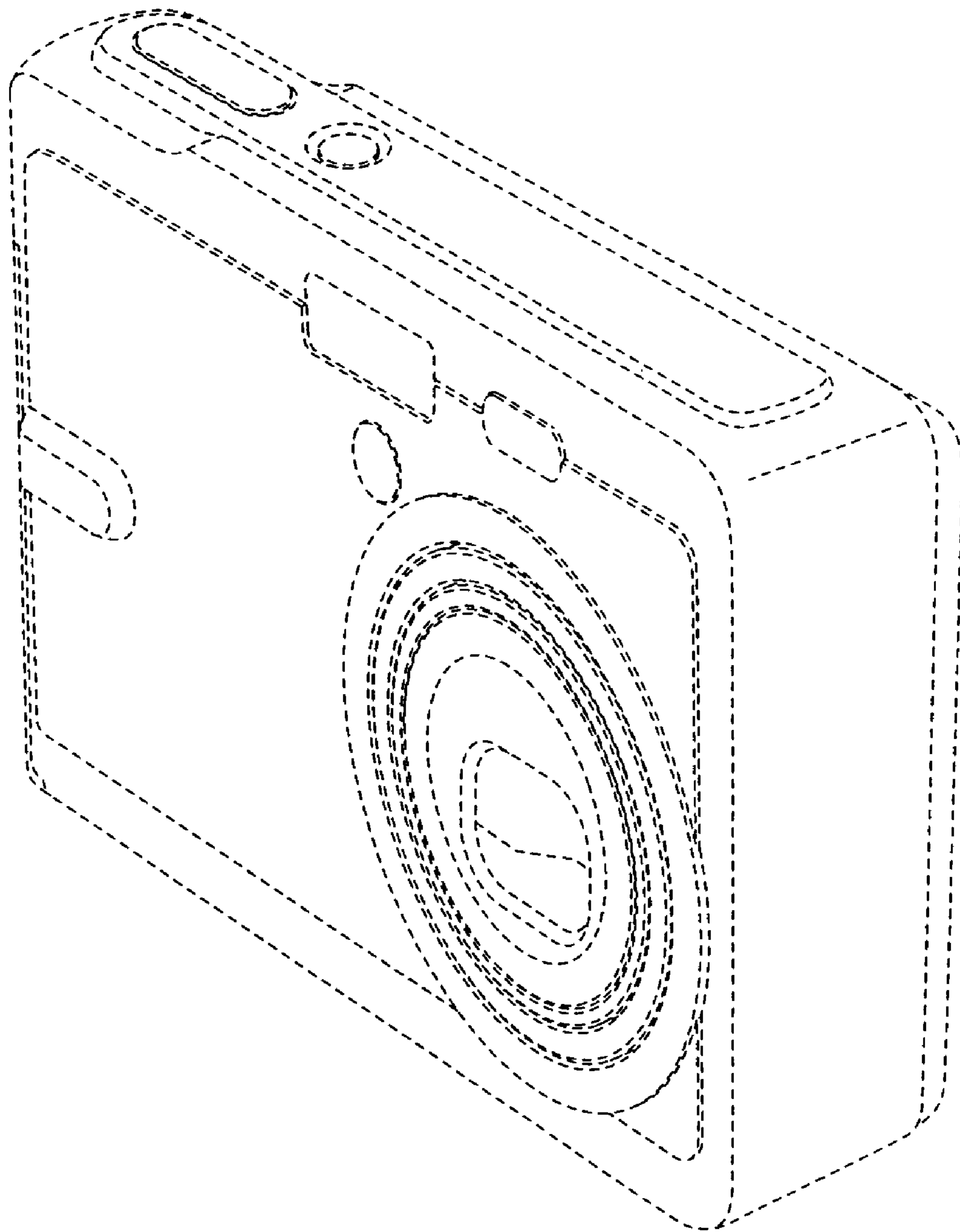


FIG. 1

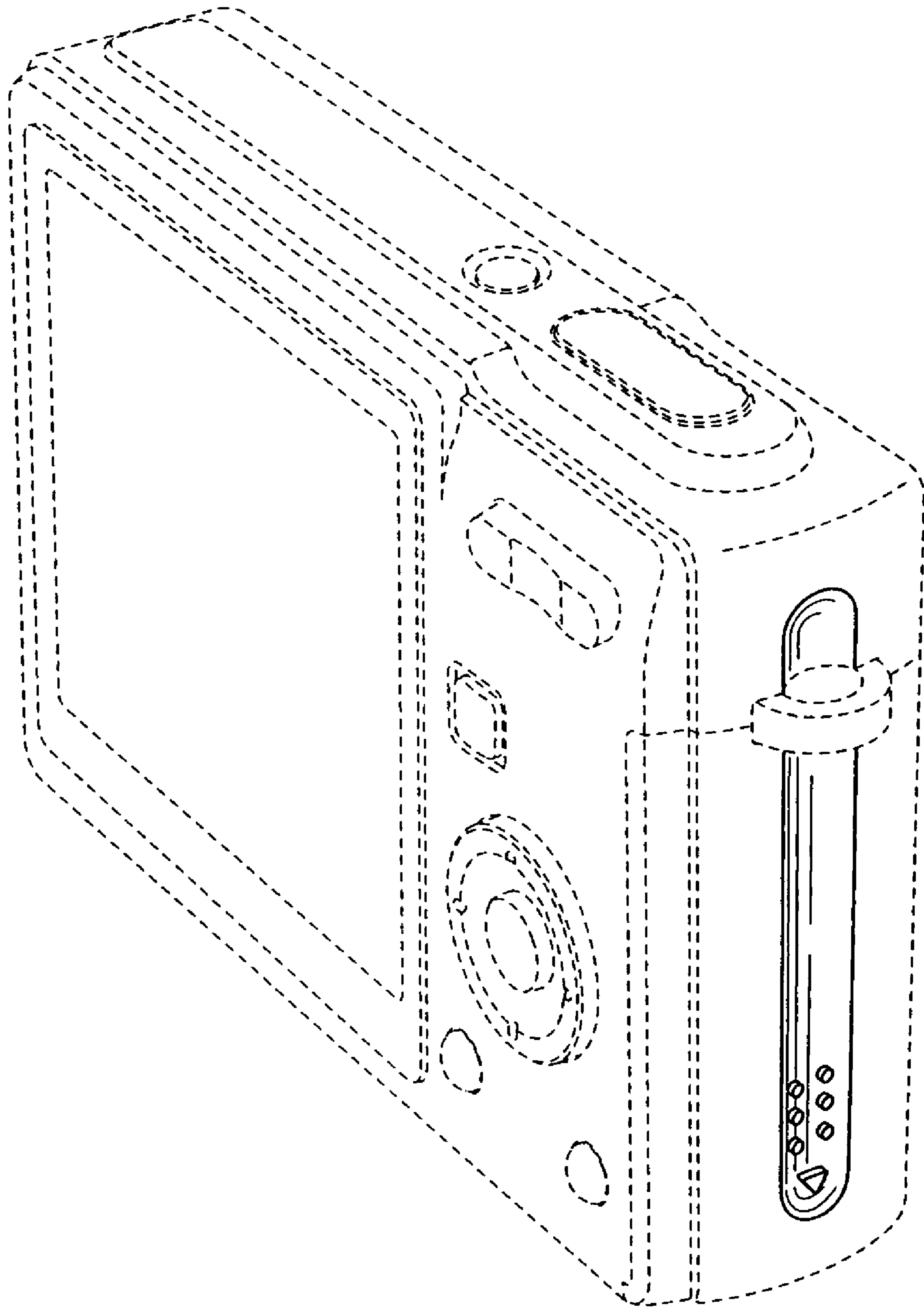


FIG. 2

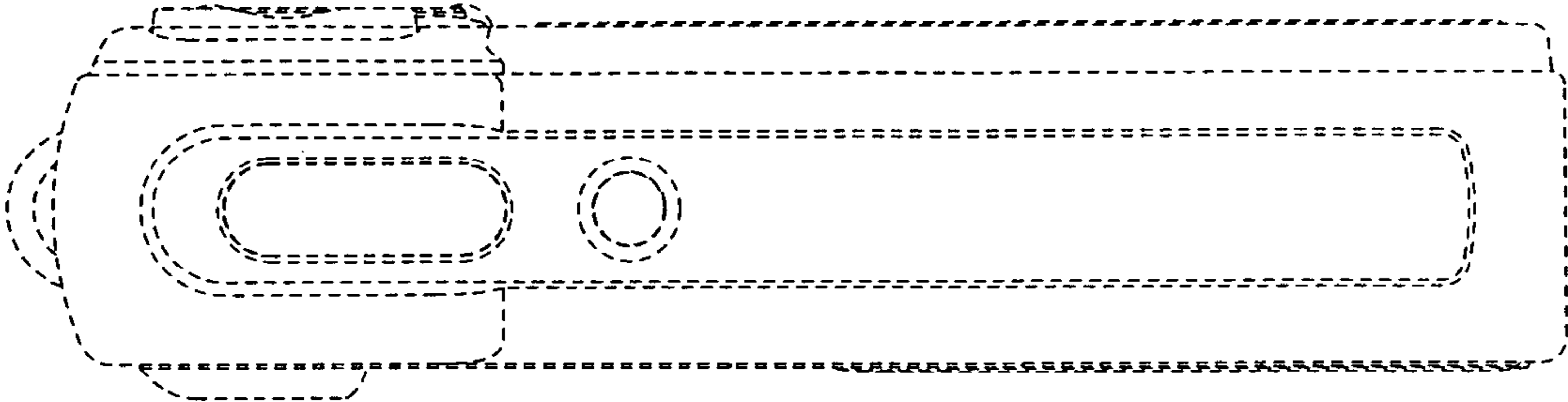


FIG. 3

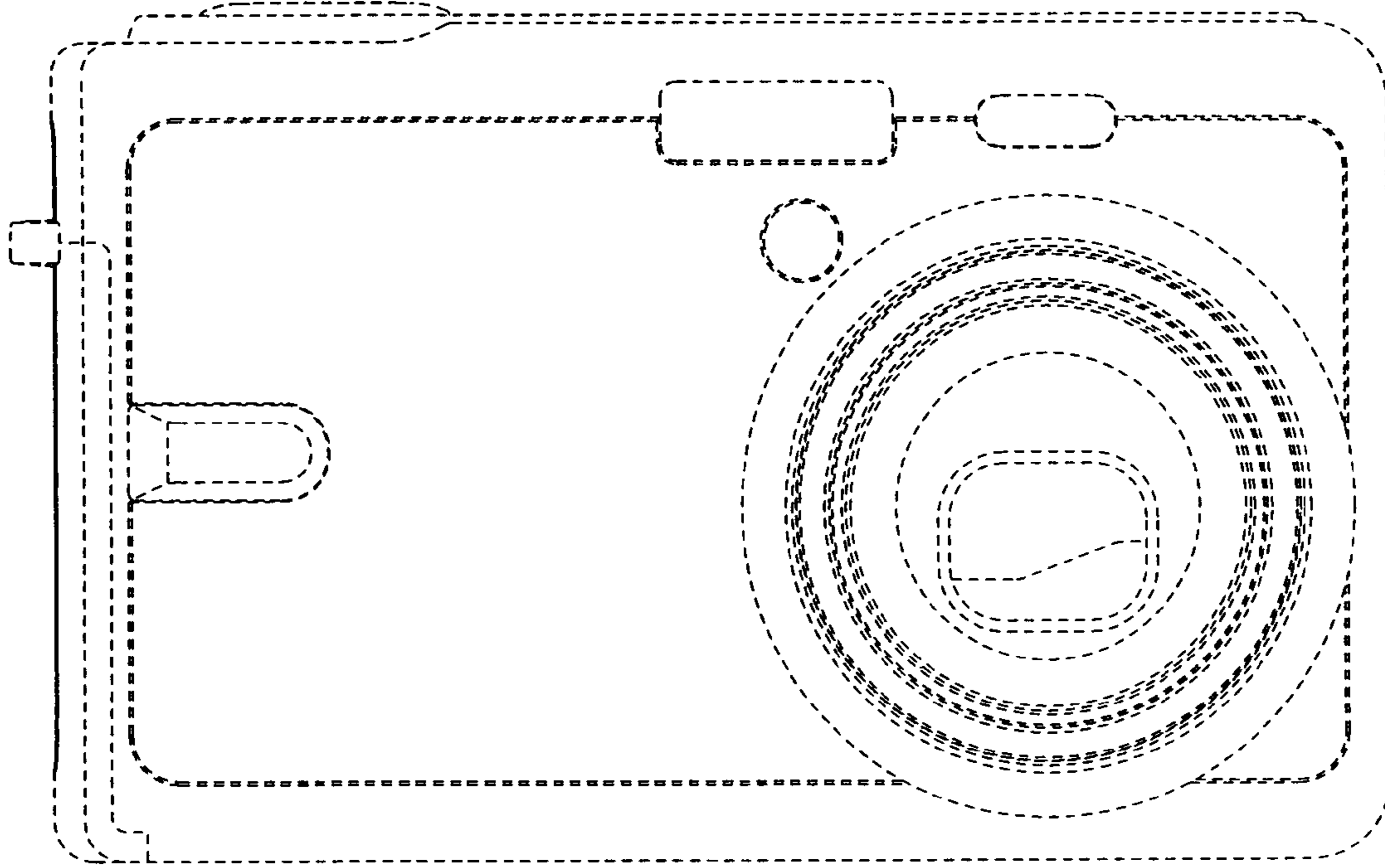


FIG. 4

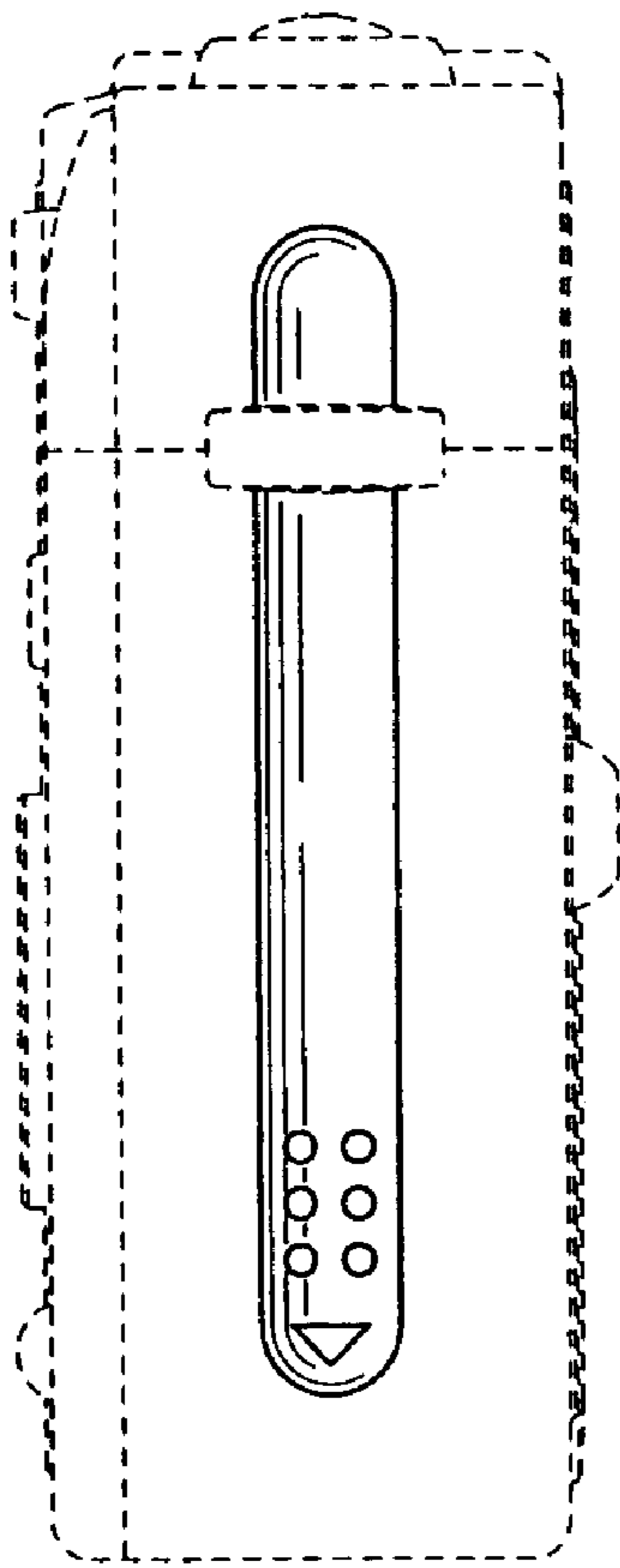


FIG. 5

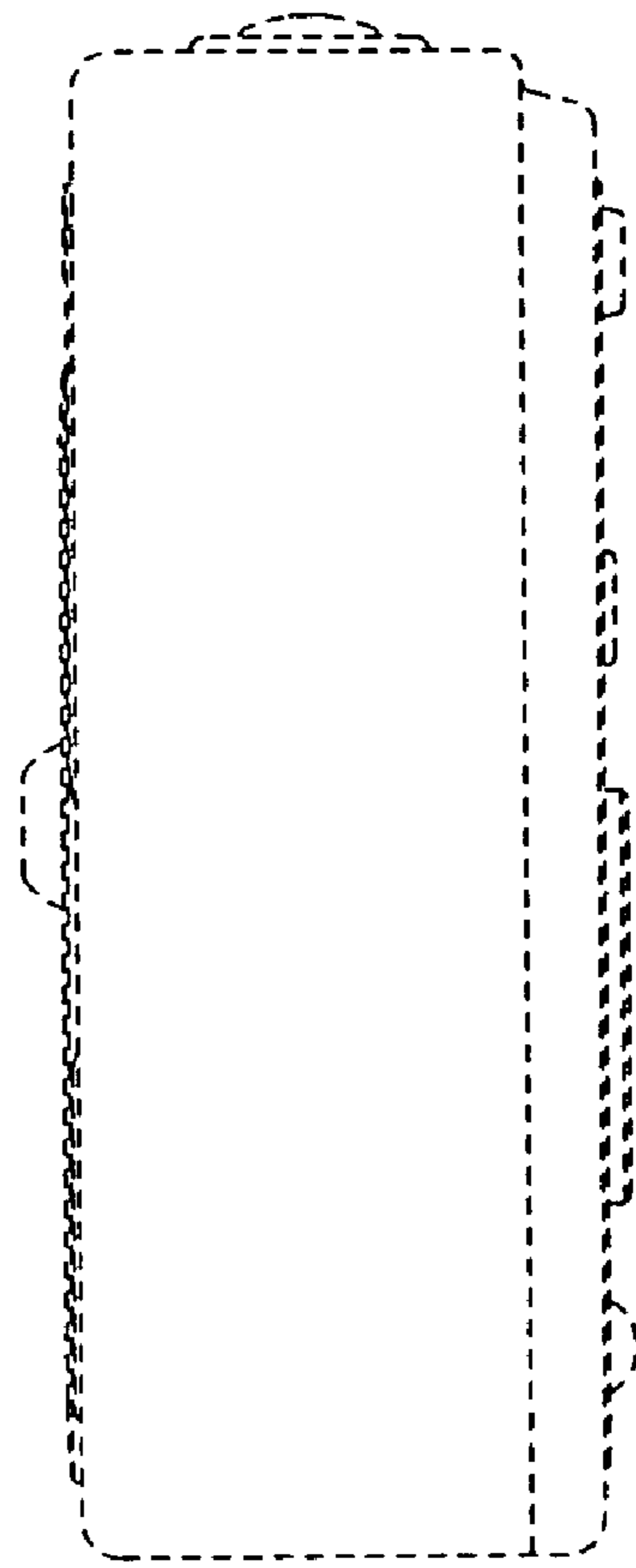


FIG. 6

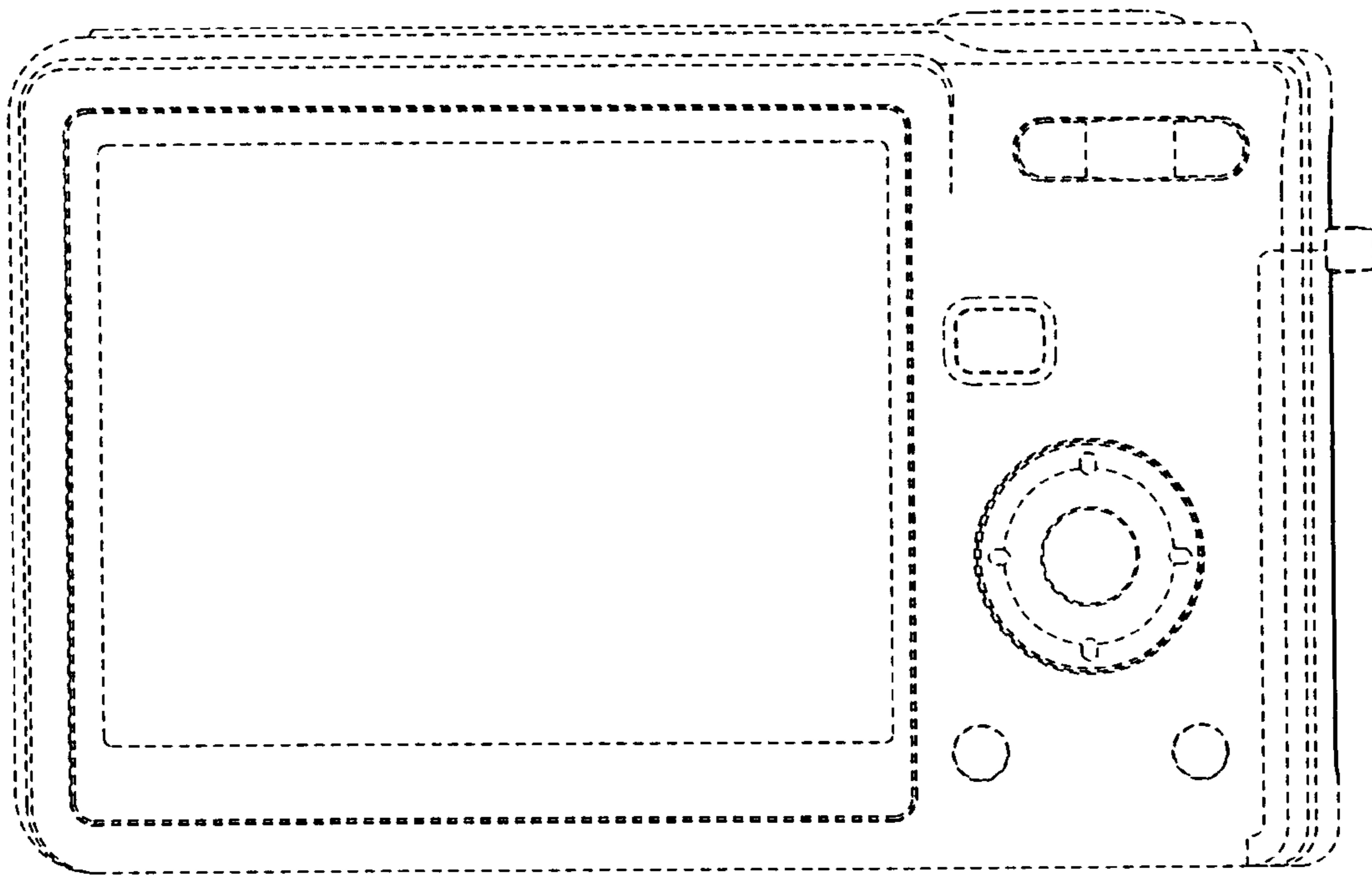


FIG. 7

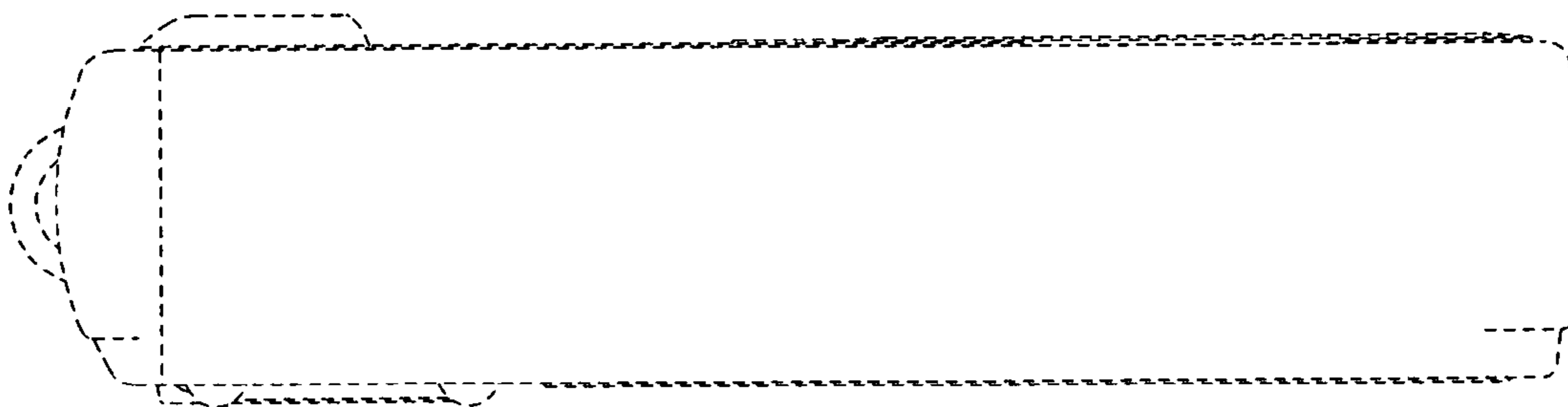


FIG. 8