



US00D565623S

(12) **United States Design Patent** (10) **Patent No.:** **US D565,623 S**
Yasutomi (45) **Date of Patent:** **** Apr. 1, 2008**

(54) **CAMERA**
 (75) Inventor: **Hiroshi Yasutomi**, Tokyo (JP)
 (73) Assignee: **Sony Corporation**, Tokyo (JP)

JP D1230280 12/2004
 JP D1232705 1/2005
 JP D1249651 7/2005
 JP D1269728 3/2006

(**) Term: **14 Years**

OTHER PUBLICATIONS

(21) Appl. No.: **29/263,250**

Kodak Easyshare Z740 Zoom Digital Camera <http://www.kodak.com/eknec/PageQuerier.jhtml?pq-path=9/19/131/6547/6647&...>
 May 23, 2006.

(22) Filed: **Jul. 20, 2006**

OLYMPUS Digital Imaging (Cameras) <http://www.olympus.co.jp/en/imsg/digicamera/> May 23, 2006.

(30) **Foreign Application Priority Data**

Jan. 20, 2006 (JP) 2006-001053
 Jan. 26, 2006 (TW) 95300453

EX-P505—Exilim Pro—Cameras—Products—CASIO http://www.casio.com/products/Cameras/Exilim_Pro/EX-P505/ May 23, 2006.

(51) **LOC (8) Cl.** **16-01**

Nikon Imaging | COOLPIX 8800 <http://nikonimaging.com/global/products/digitalcamera/coolpix/8800/index.htm> May 23, 2006.

(52) **U.S. Cl.** **D16/206; D16/202**

Names of Parts | Konica Minolta http://ca.konicaminolta.com/products/consumer/digital_camera/dimage/dimage-... May 23, 2006.

(58) **Field of Classification Search** D16/200–206,
 D16/208–209, 217–219, 242, 245; 348/373–376;
 358/906, 909.1; 396/535–541, 349, 448
 See application file for complete search history.

* cited by examiner

(56) **References Cited**

Primary Examiner—Ian Simmons

Assistant Examiner—Wan Laymon

(74) *Attorney, Agent, or Firm*—Oblon, Spivak, McClelland, Maier & Neustadt, P.C.

U.S. PATENT DOCUMENTS

(57) **CLAIM**

D388,110 S * 12/1997 Watarai et al. D16/217
 D397,707 S * 9/1998 Naitou D16/202
 6,393,225 B1 * 5/2002 Yamada 396/535
 D474,793 S * 5/2003 Yoshida D16/202
 6,665,005 B1 * 12/2003 Higuchi et al. 396/448
 D493,809 S * 8/2004 Ogura D16/202
 D497,173 S * 10/2004 Ogura D16/202
 D511,351 S * 11/2005 Yatabe D16/202
 D528,580 S * 9/2006 Sumita D16/206
 D538,831 S * 3/2007 Watarai D16/202
 D547,783 S * 7/2007 Sakai D16/202

The ornamental design for a camera, as shown and described.

FOREIGN PATENT DOCUMENTS

DESCRIPTION

JP D1078780 4/2000
 JP D1078799 4/2000
 JP D1094486 10/2000
 JP D1099889 12/2000
 JP D1179362 5/2003
 JP D1198509 1/2004
 JP D1198511 1/2004
 JP D1230104 12/2004

FIG. 1 is a top and right front perspective view of a camera, showing my design;

FIG. 2 is a front elevational view thereof;

FIG. 3 is a rear elevational view thereof;

FIG. 4 is a left side elevational view thereof;

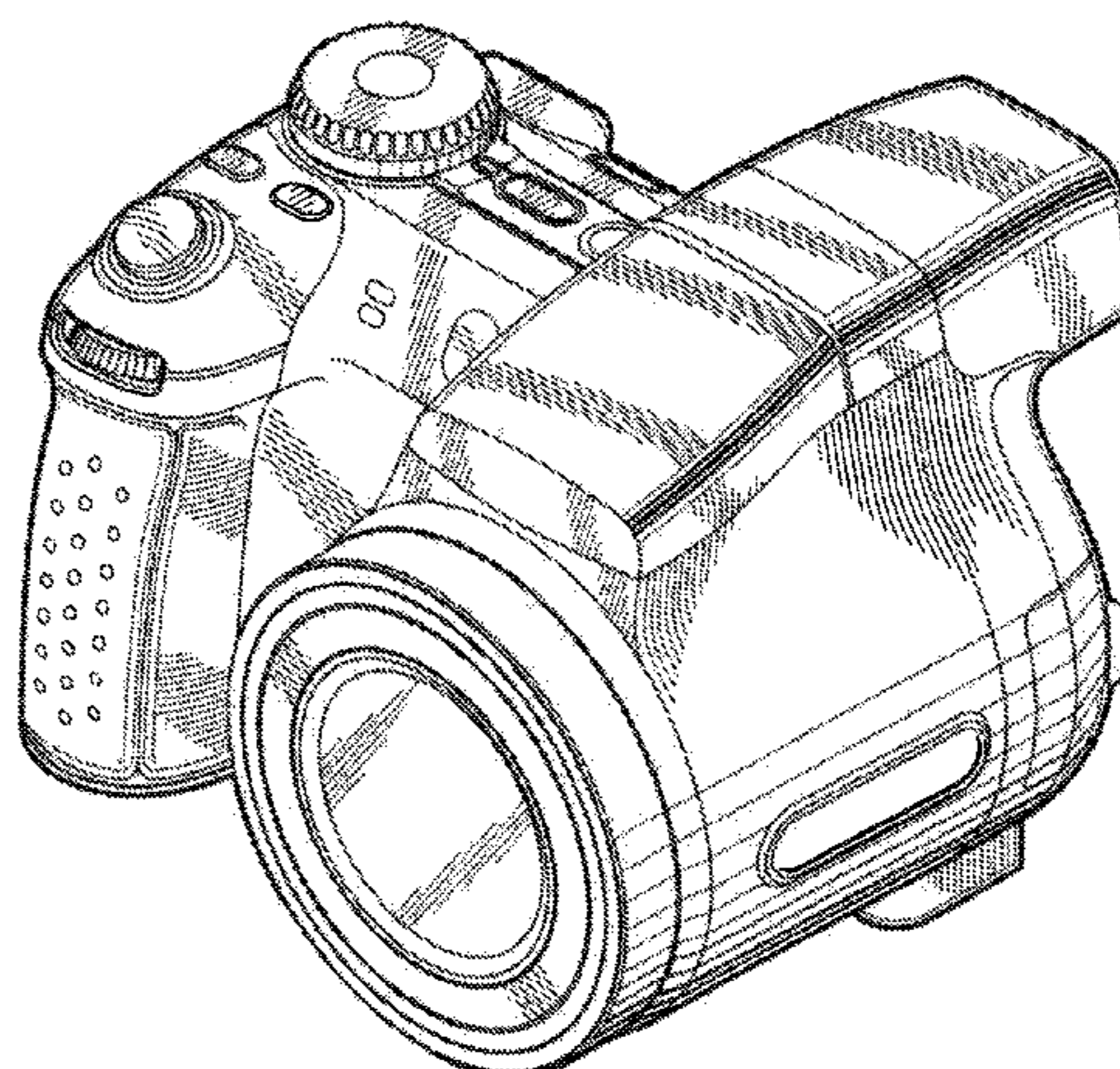
FIG. 5 is a right side elevational view thereof;

FIG. 6 is a top plan view thereof; and,

FIG. 7 is a bottom plan view thereof.

The phantom lines shown in the figures are shown for illustrative purposes only and form no part of the design.

1 Claim, 4 Drawing Sheets



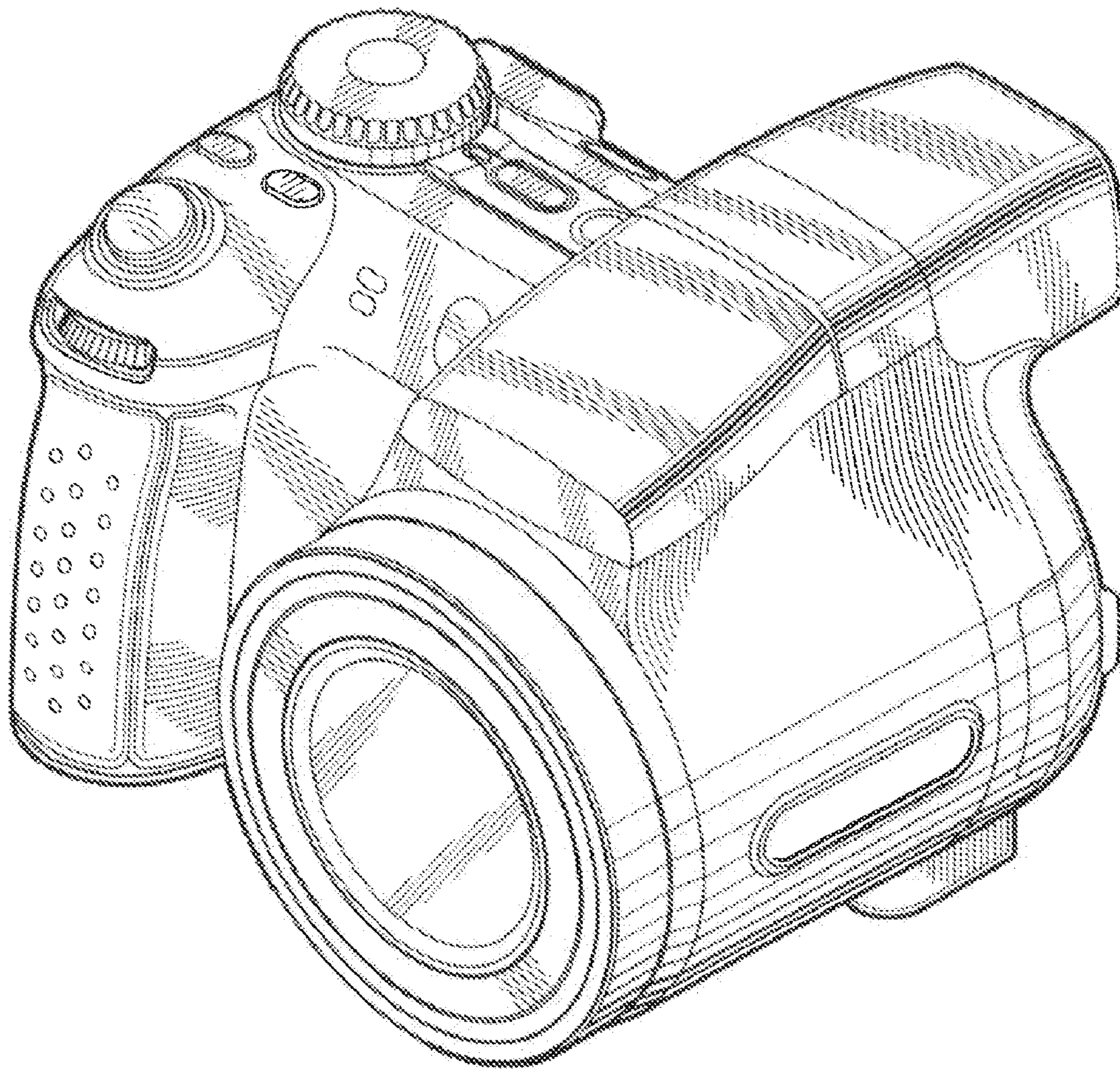


Fig. 1

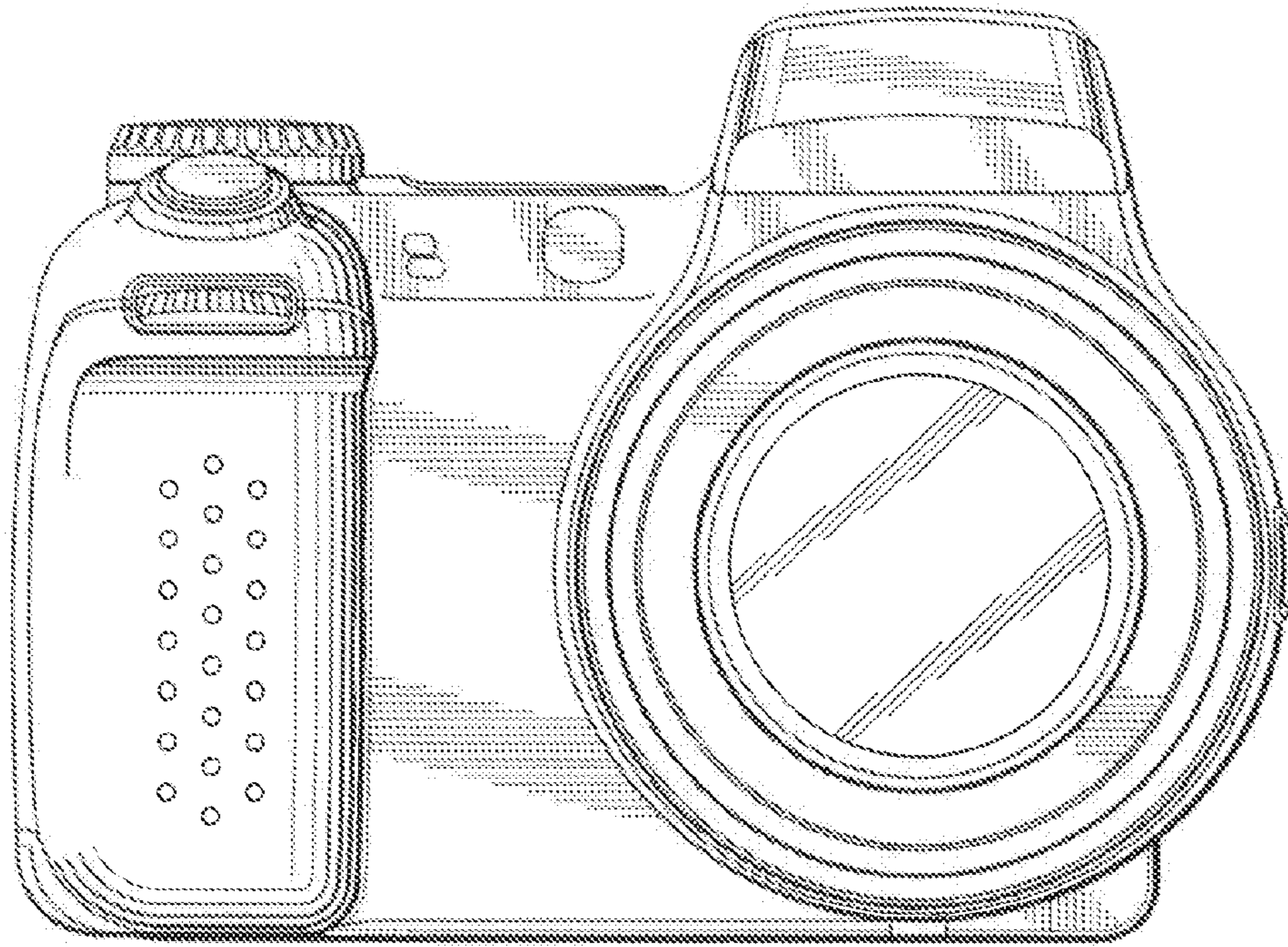


Fig. 2

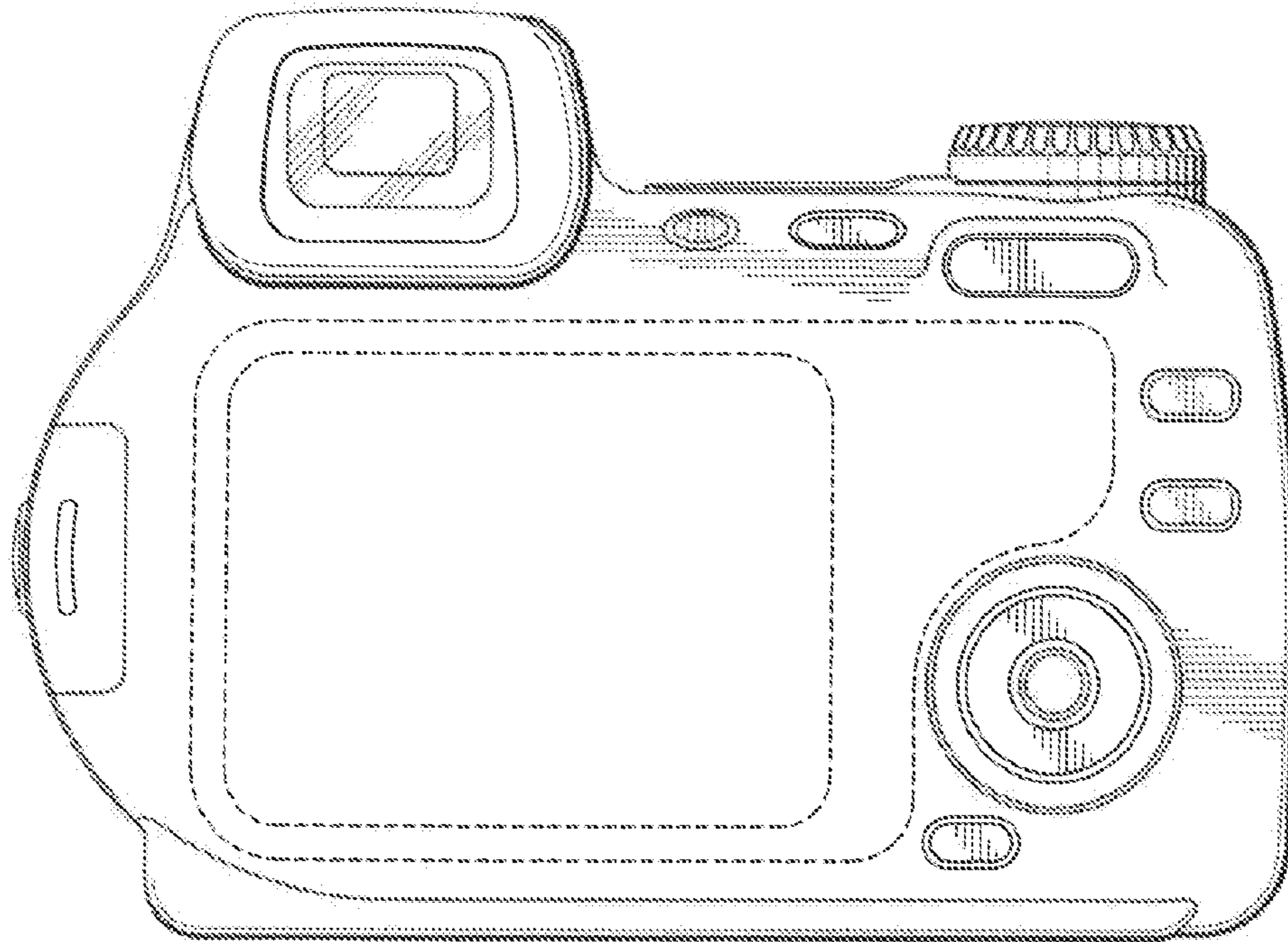


Fig. 3

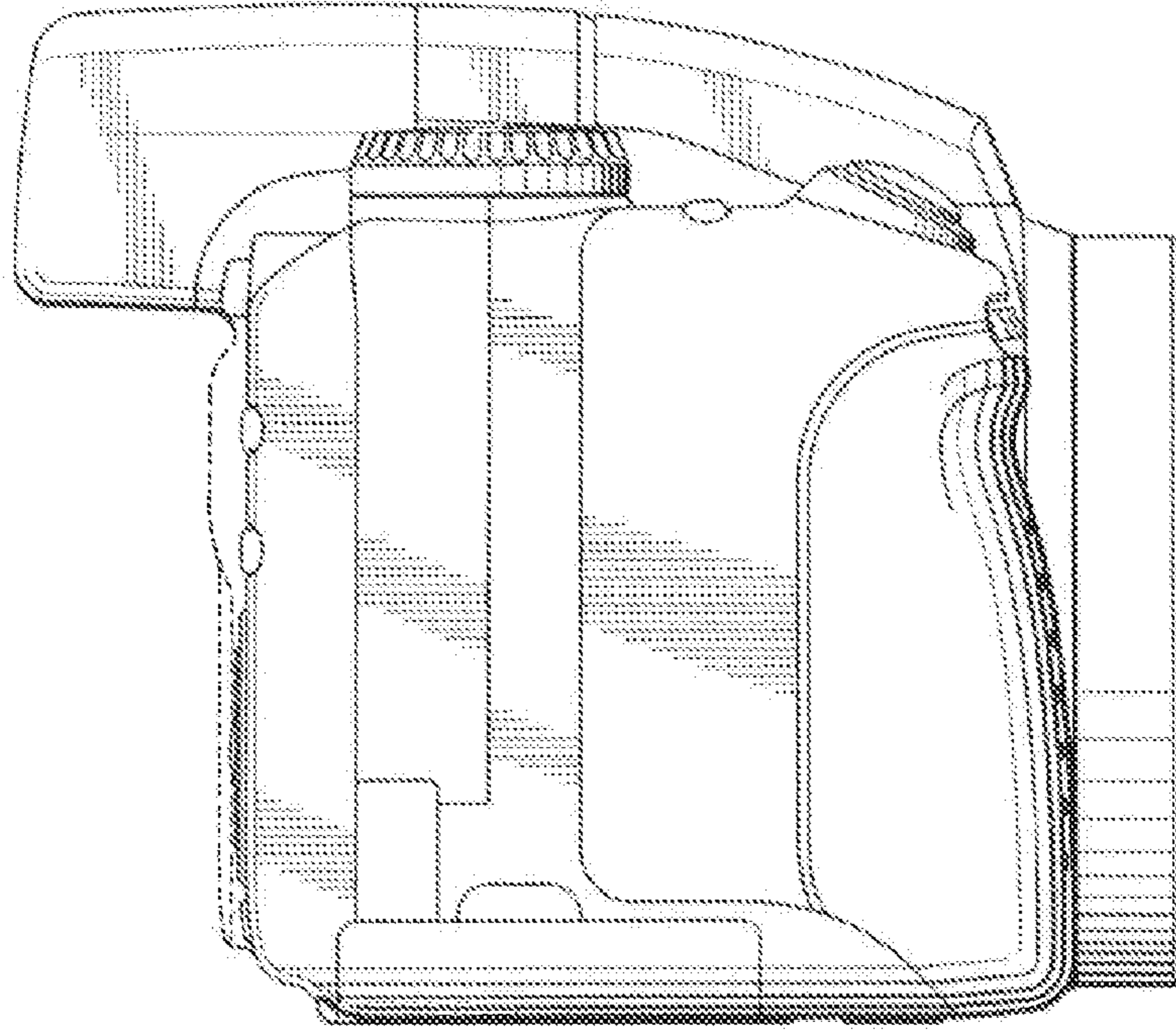


Fig. 4

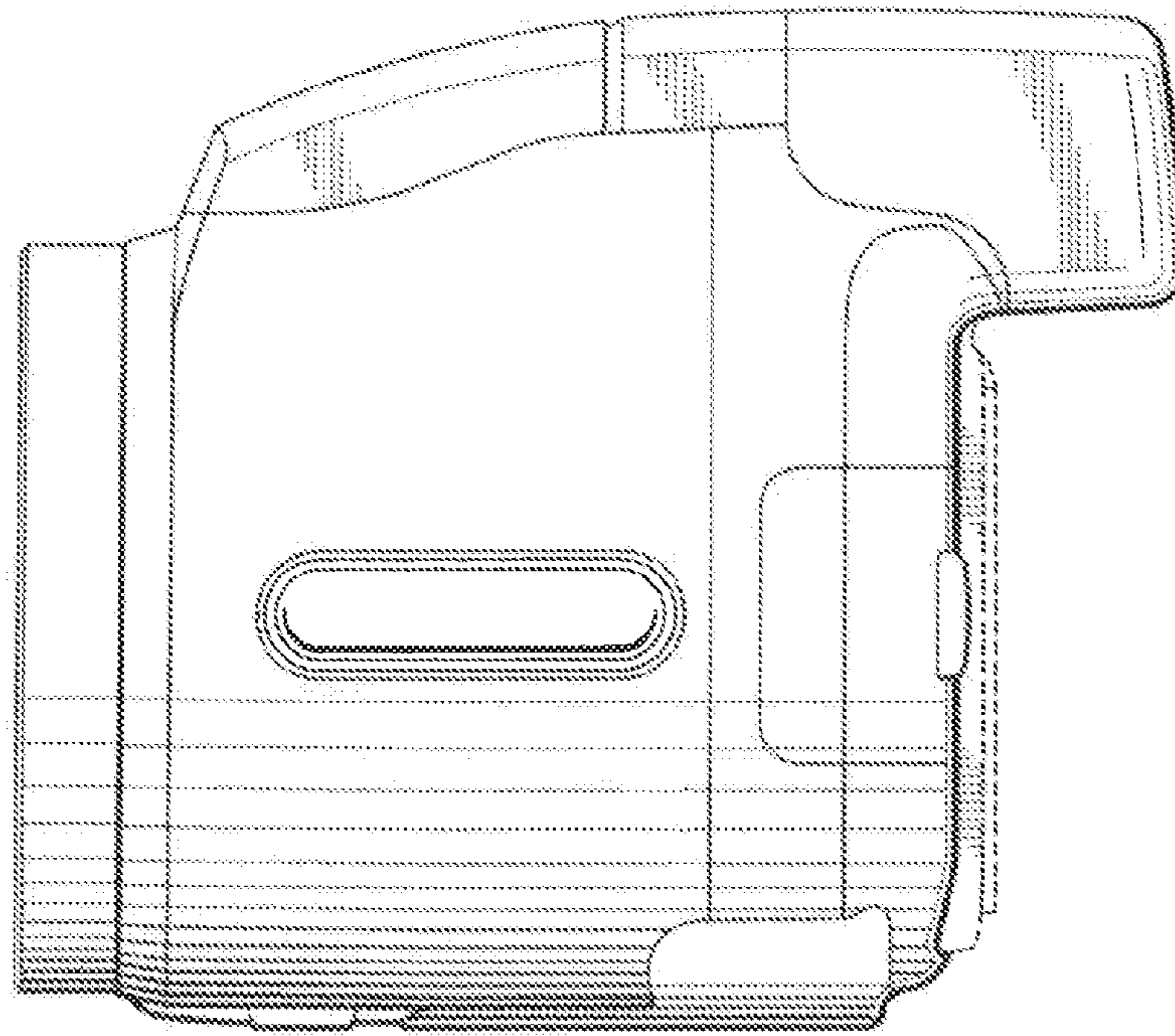


Fig. 5

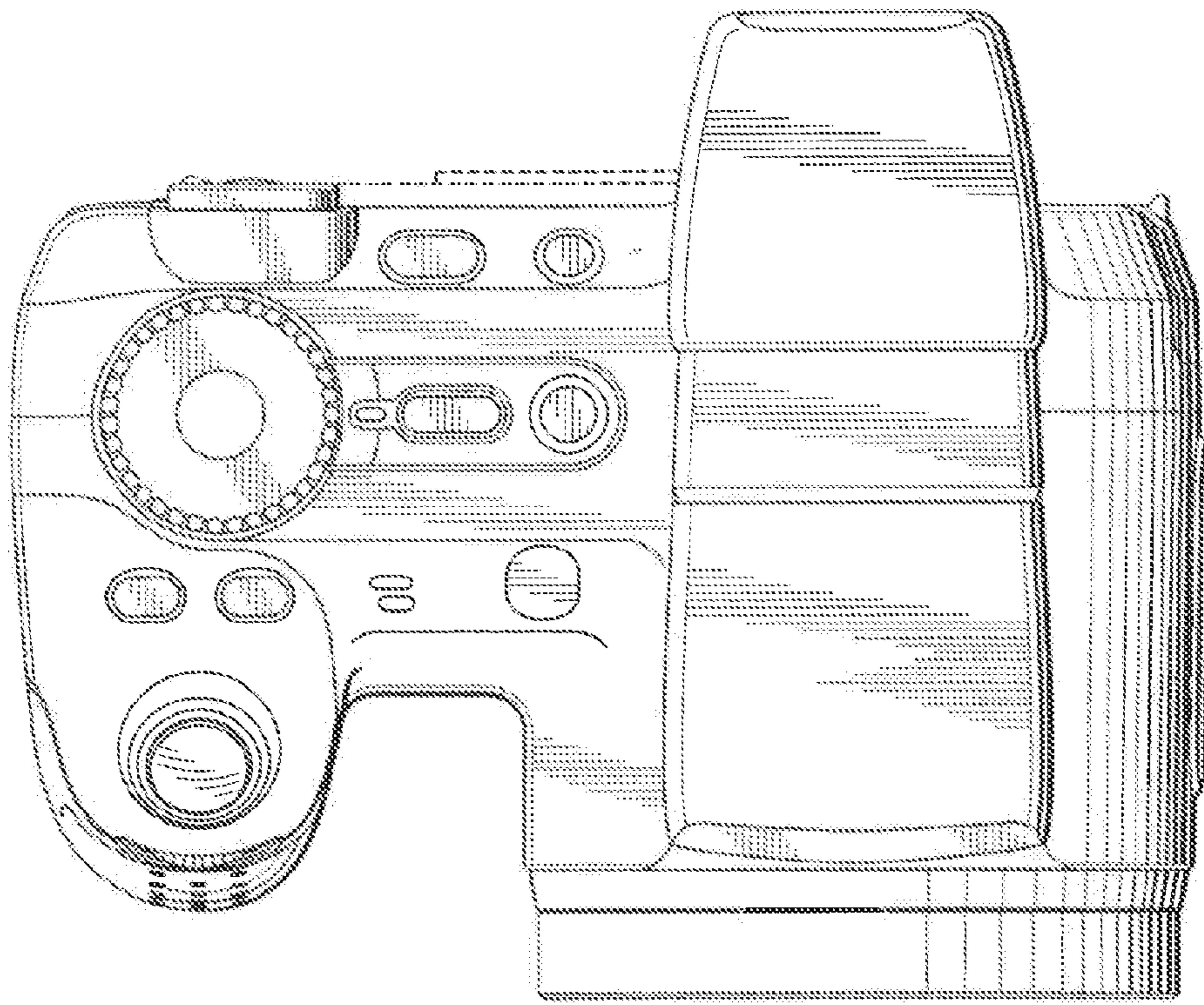


Fig. 6

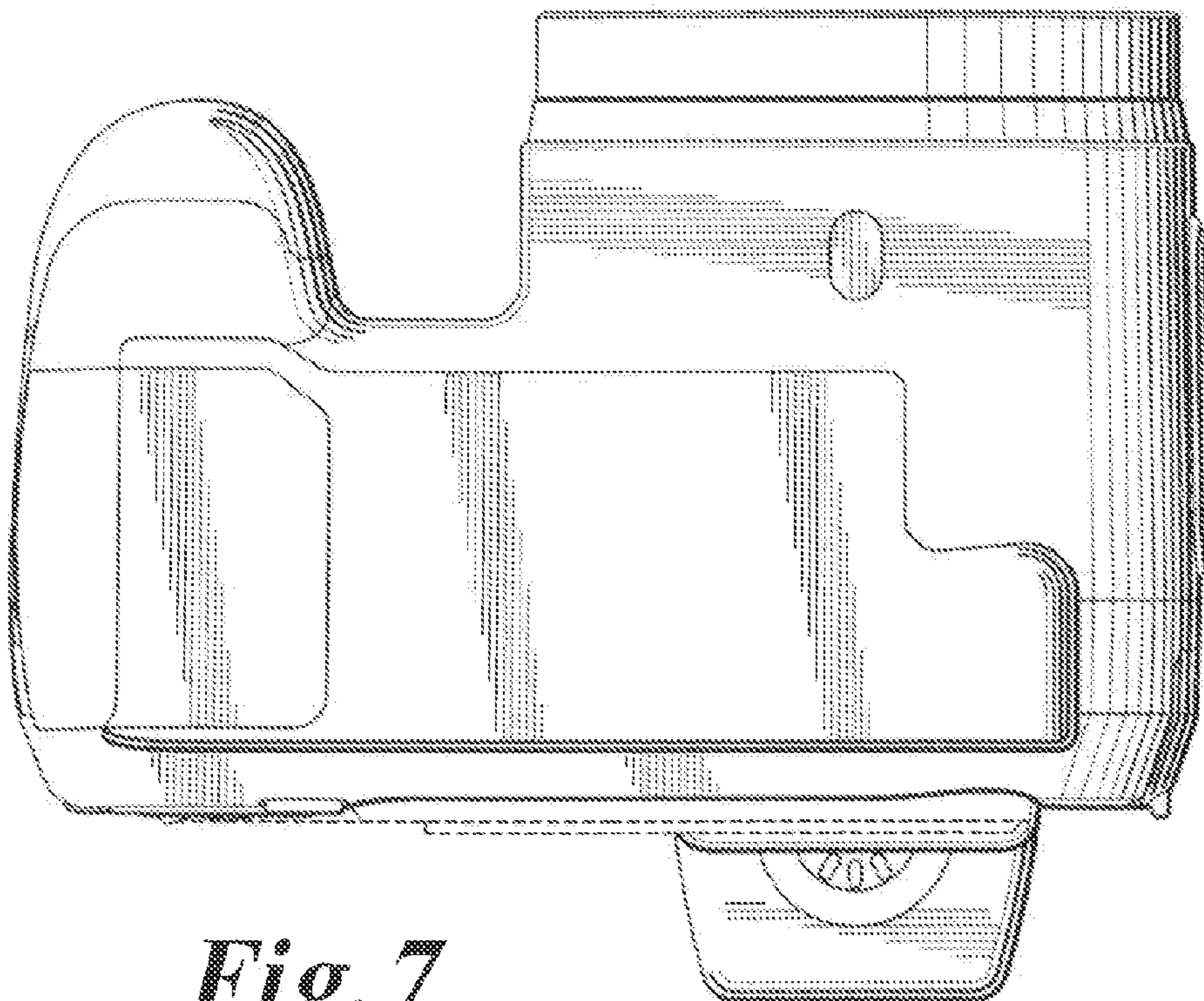


Fig. 7