

US00D565622S

(12) **United States Design Patent**
Inaba

(10) **Patent No.:** **US D565,622 S**
(45) **Date of Patent:** **** Apr. 1, 2008**

(54) **DIGITAL CAMERA**

D548,252 S * 8/2007 Tajima D16/202

(75) Inventor: **Toshiya Inaba**, Tokyo (JP)

FOREIGN PATENT DOCUMENTS

(73) Assignee: **PENTAX Corporation**, Tokyo (JP)

JP D1284685 S 9/2006

(**) Term: **14 Years**

* cited by examiner

(21) Appl. No.: **29/279,389**

Primary Examiner—Adir Aronovich
(74) *Attorney, Agent, or Firm*—Sughrue Mion, PLLC

(22) Filed: **Apr. 30, 2007**

(57) **CLAIM**

(30) **Foreign Application Priority Data**

The ornamental design for a digital camera, as shown.

Nov. 2, 2006 (JP) 2006-029998

DESCRIPTION

(51) **LOC (8) Cl.** **16-01**

FIG. 1 is a perspective view of the top, front, and right side of a digital camera showing my new design;

(52) **U.S. Cl.** **D16/202**

FIG. 2 is a top plan view thereof;

(58) **Field of Classification Search** D16/200–204,
D16/208, 218; 348/373–376; 358/909.1;
396/535–541

FIG. 3 is a front elevational view thereof;

See application file for complete search history.

FIG. 4 is a rear elevational view thereof;

FIG. 5 is a bottom plan view thereof;

(56) **References Cited**

FIG. 6 is a left side elevational view thereof;

U.S. PATENT DOCUMENTS

FIG. 7 is a right side elevational view thereof;

D456,431 S * 4/2002 Kim D16/202

FIG. 8 is a front elevational view thereof, with the lens in an open position; and,

D495,727 S * 9/2004 Dow et al. D16/202

FIG. 9 is a right side elevational view thereof, with the lens in an extended position.

D502,479 S * 3/2005 Nishizawa et al. D16/202

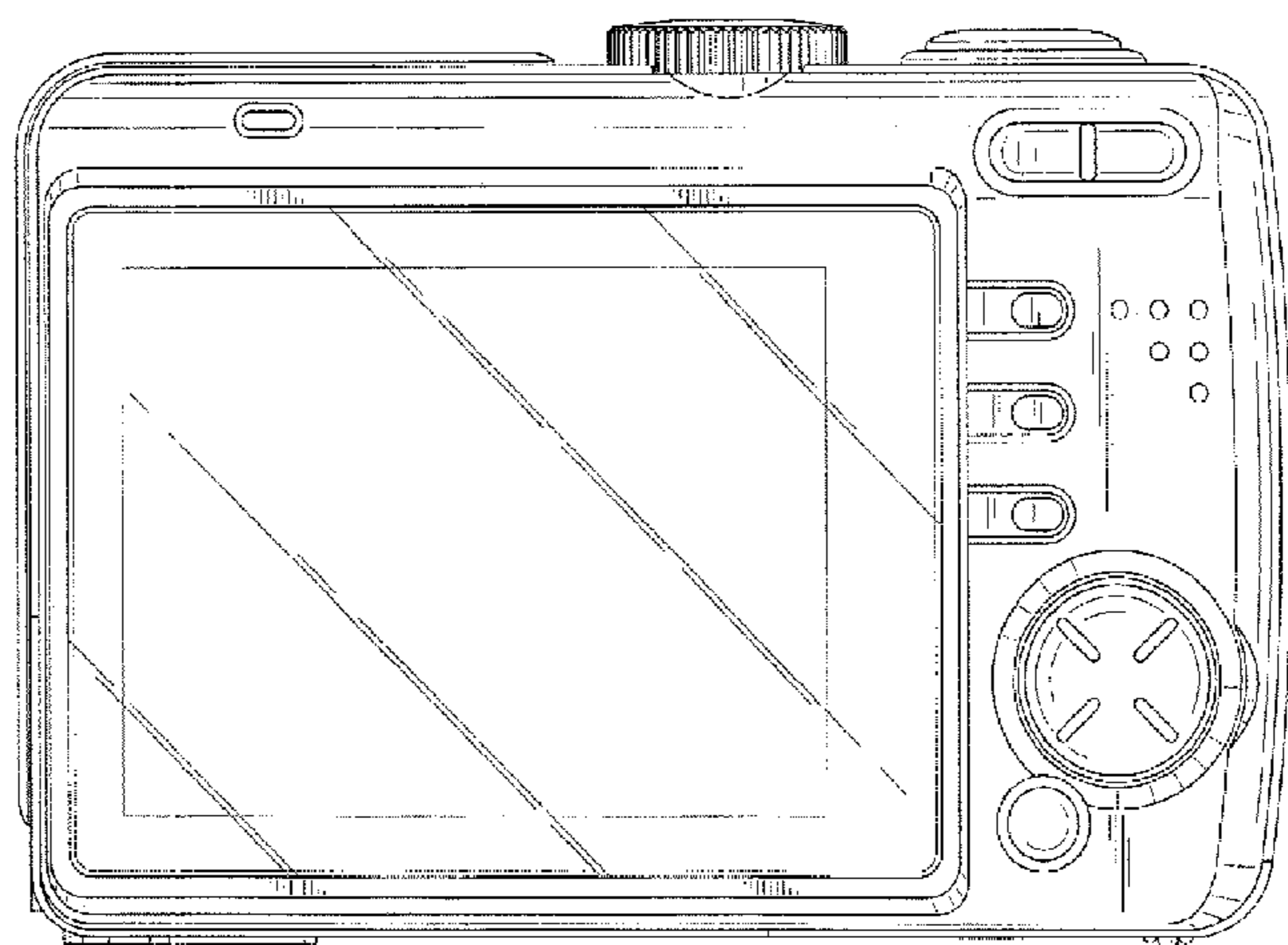
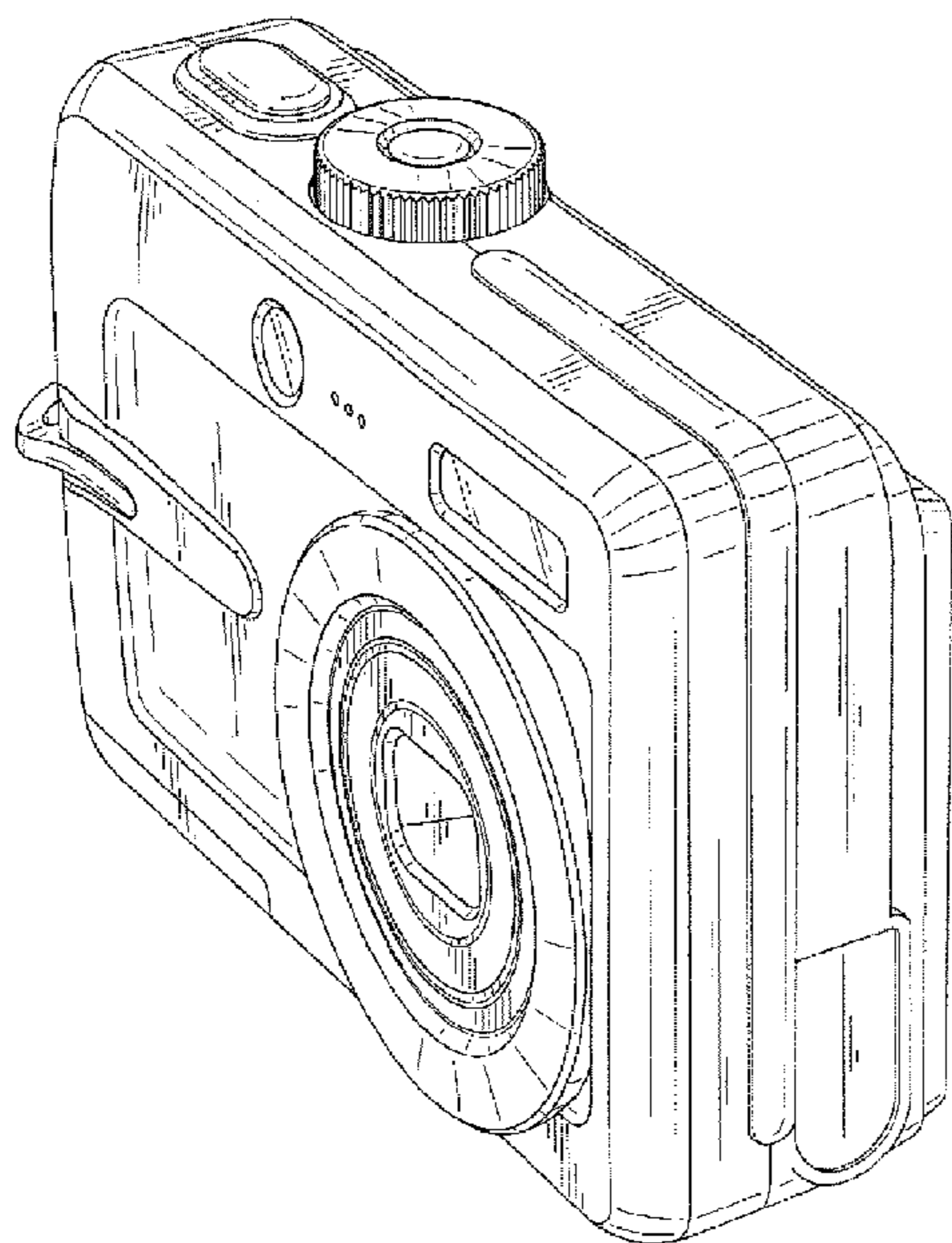
D503,417 S * 3/2005 Kawase D16/202

D507,586 S * 7/2005 Nakamura D16/202

D516,599 S * 3/2006 Nakamura D16/202

D537,460 S * 2/2007 Nakamura et al. D16/202

1 Claim, 6 Drawing Sheets



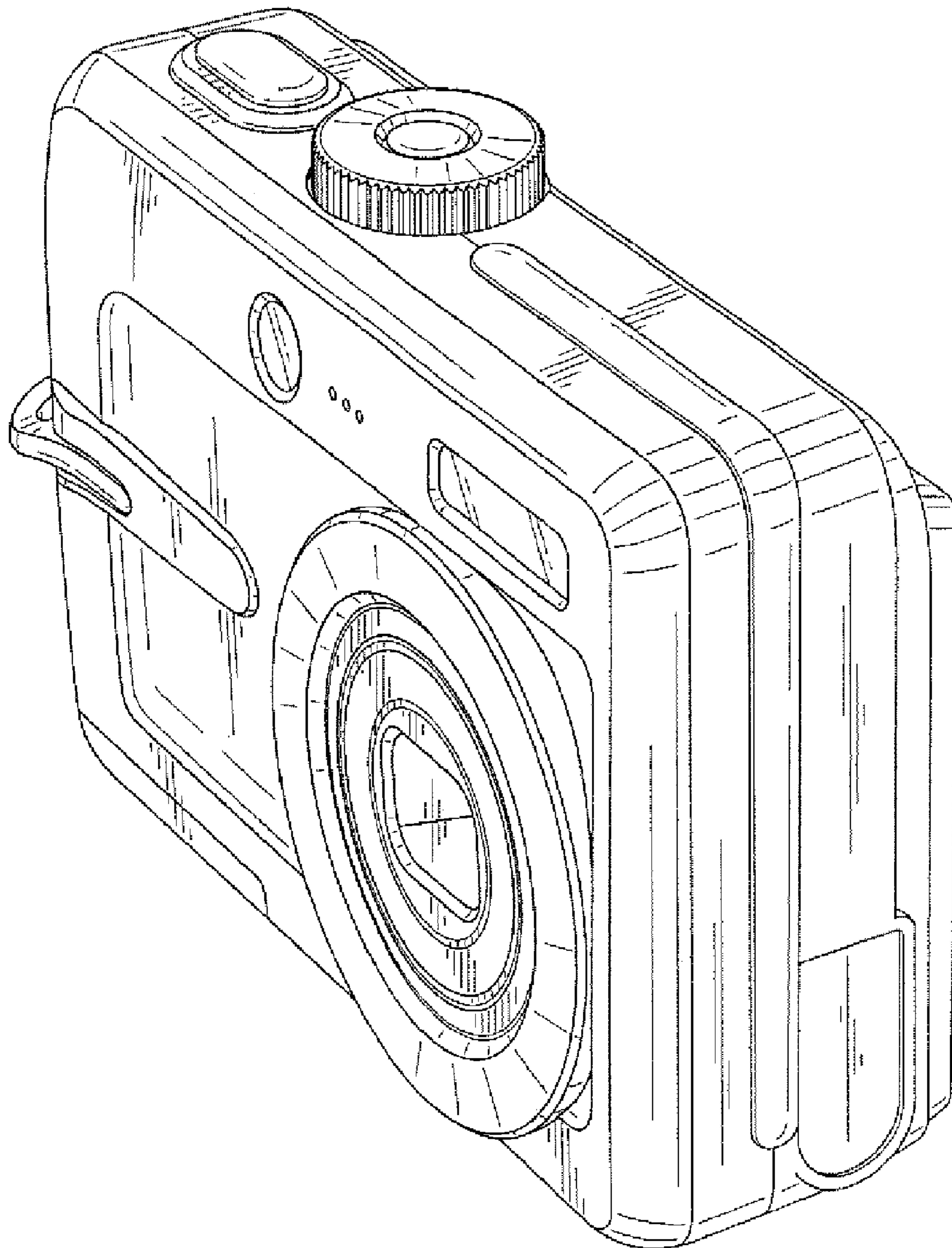


FIG. 1

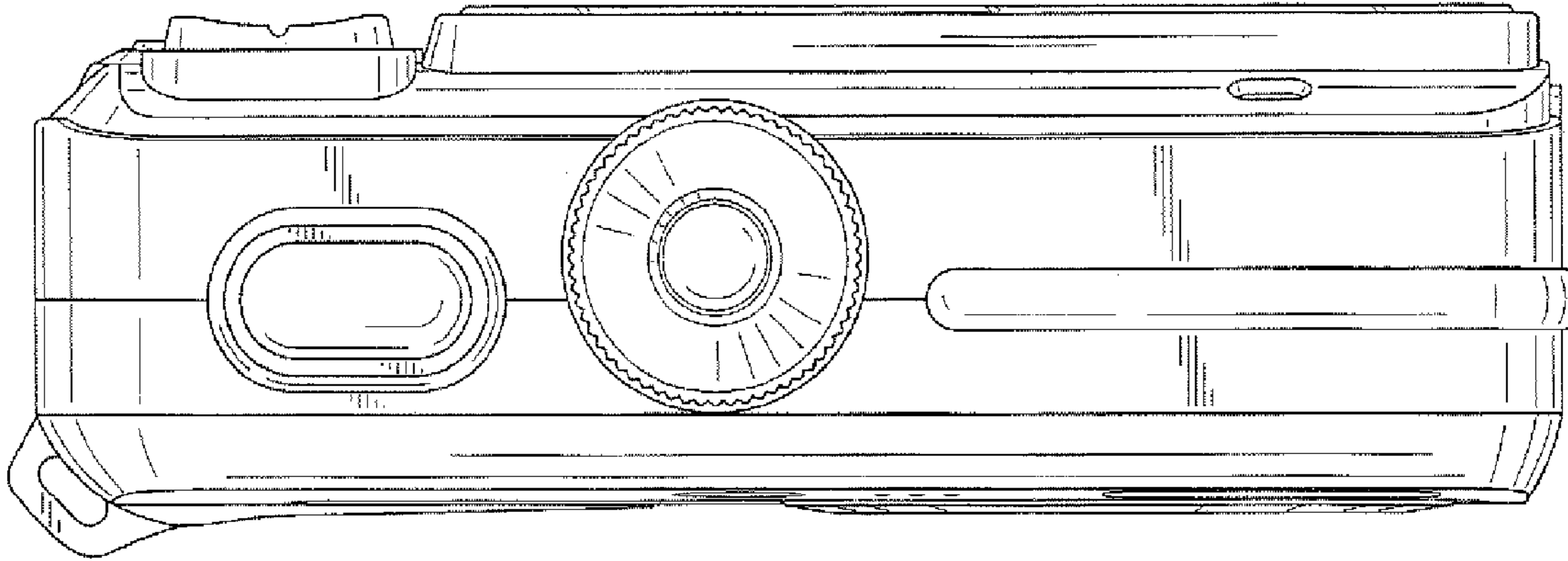


FIG. 2

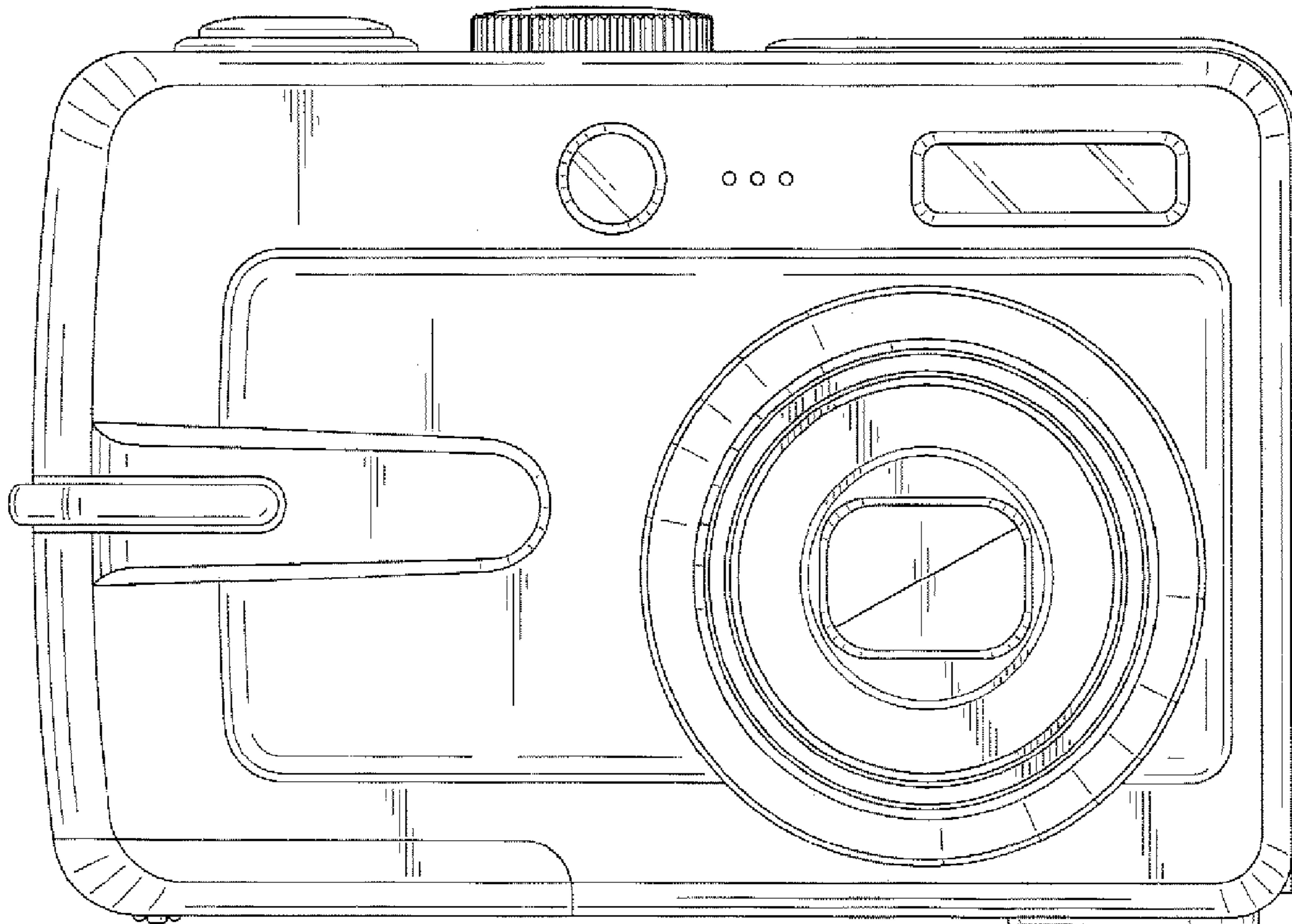


FIG. 3

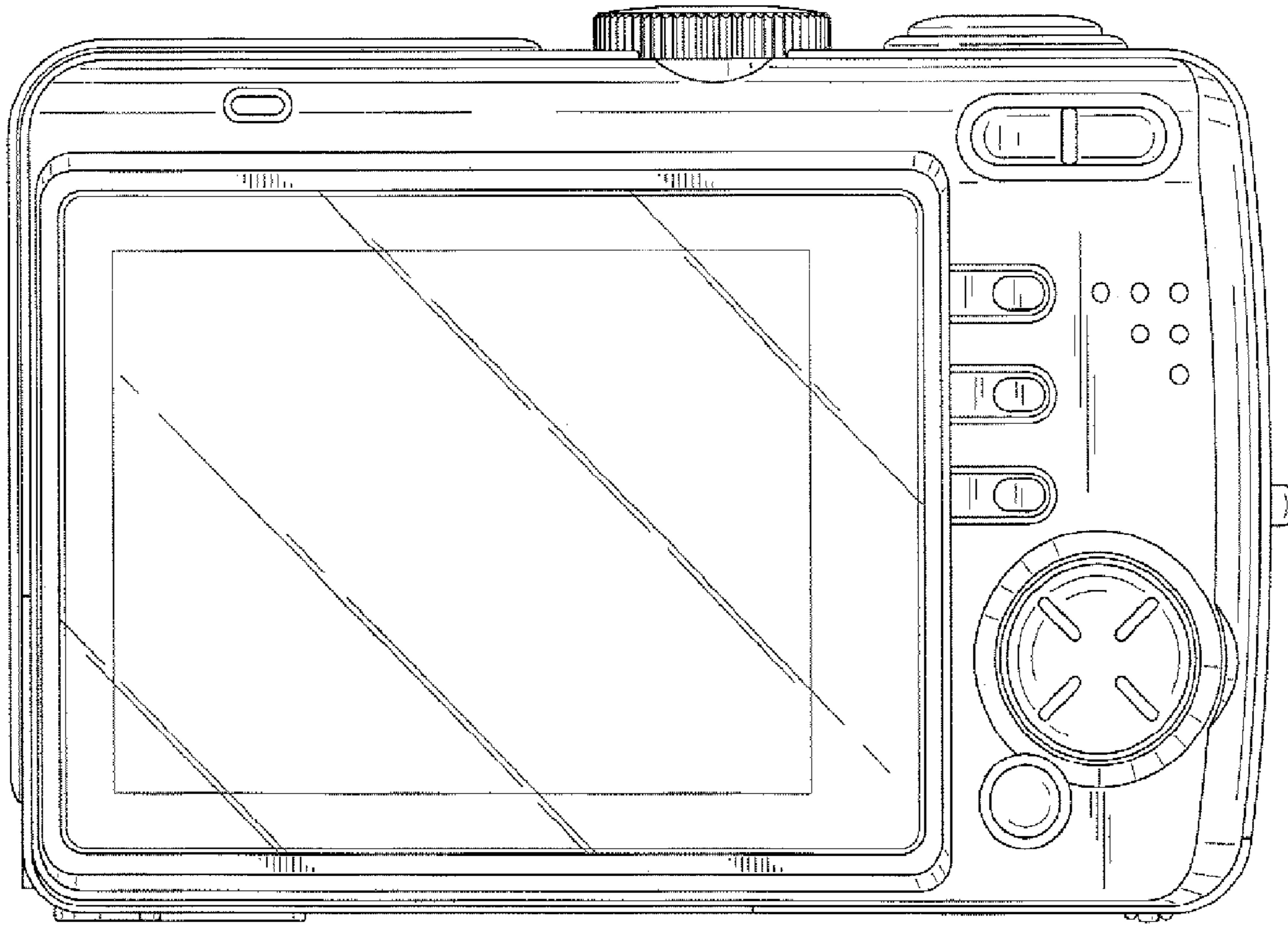


FIG. 4

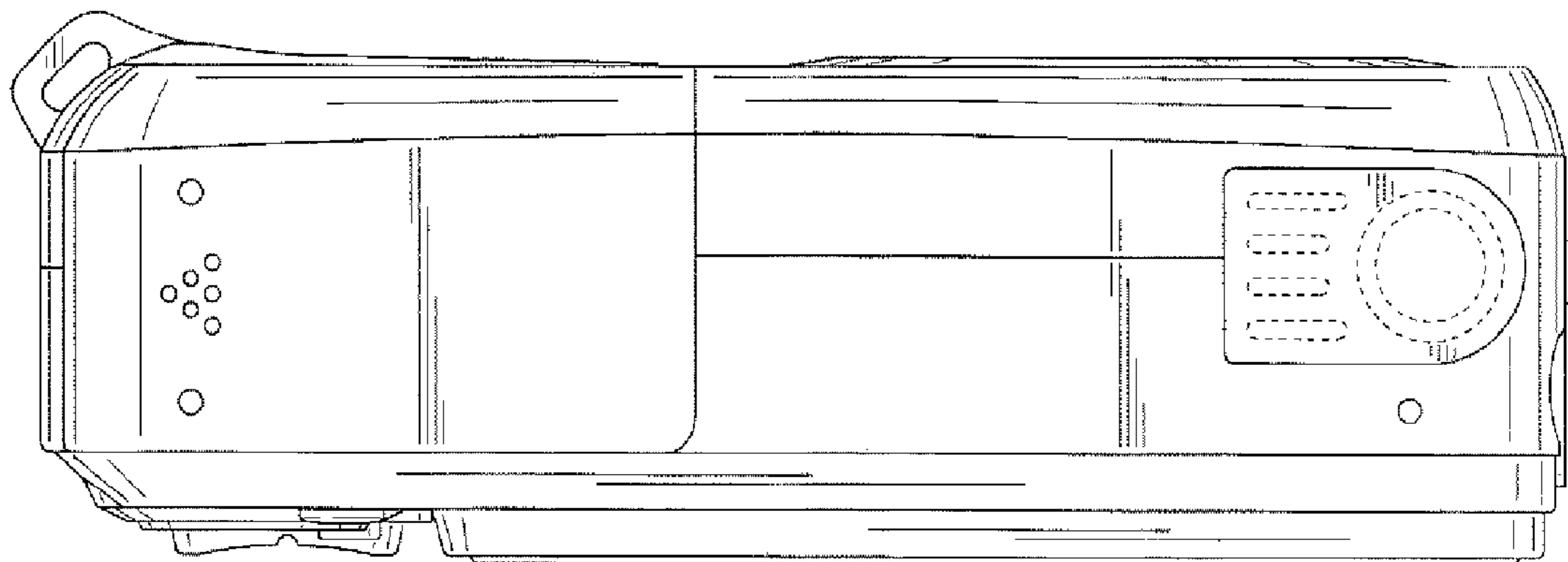


FIG. 5

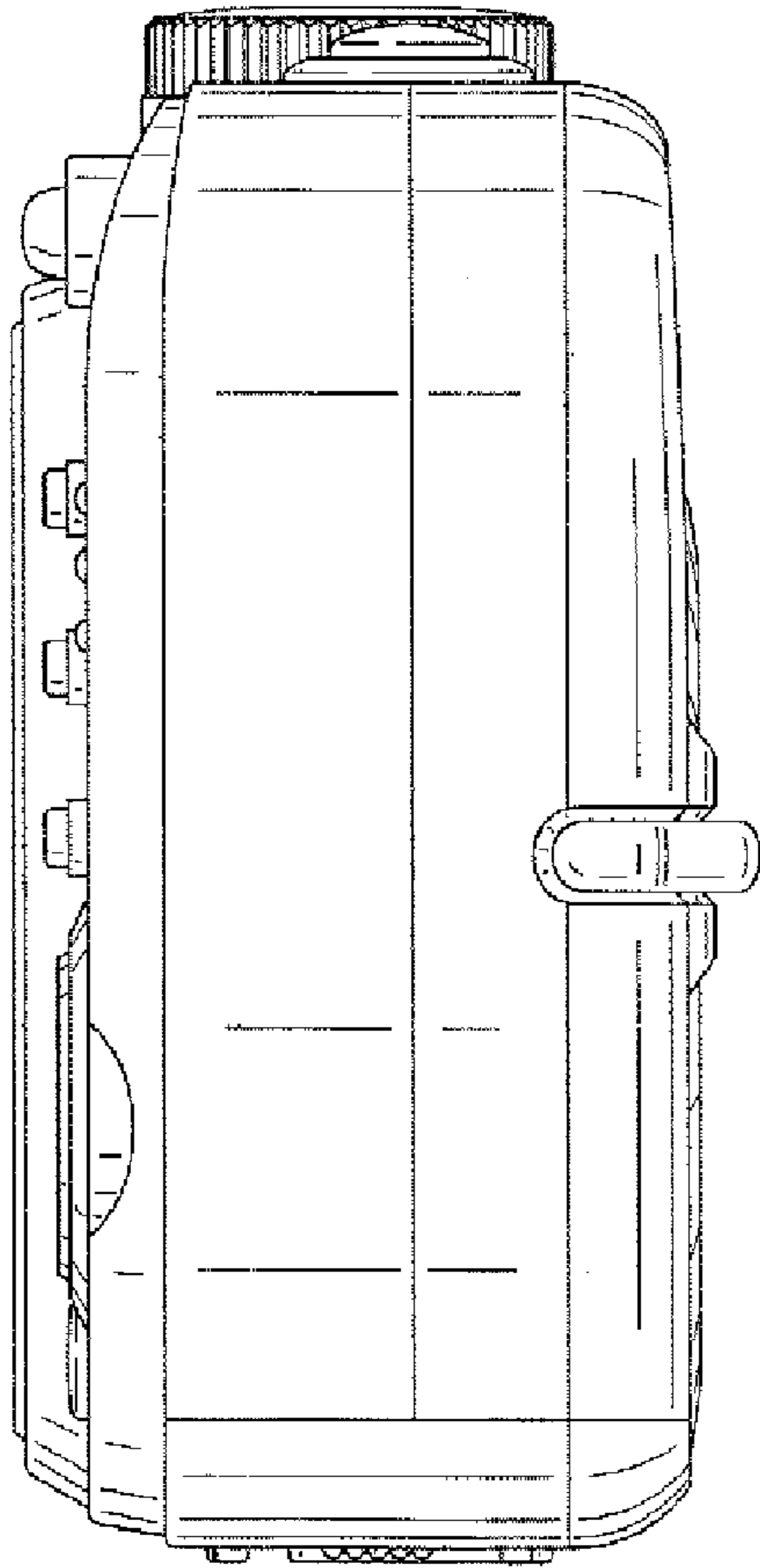


FIG. 6

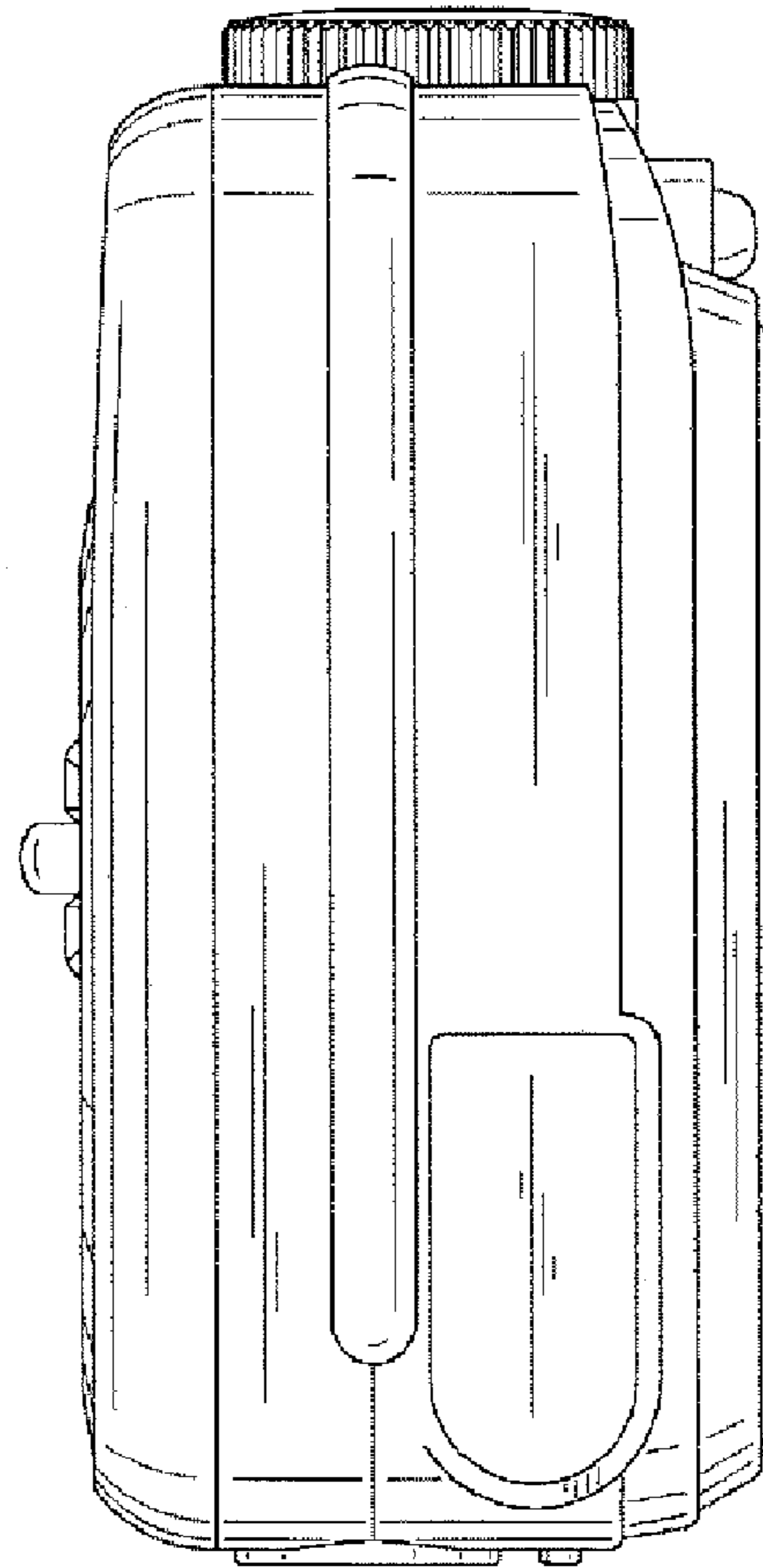


FIG. 7

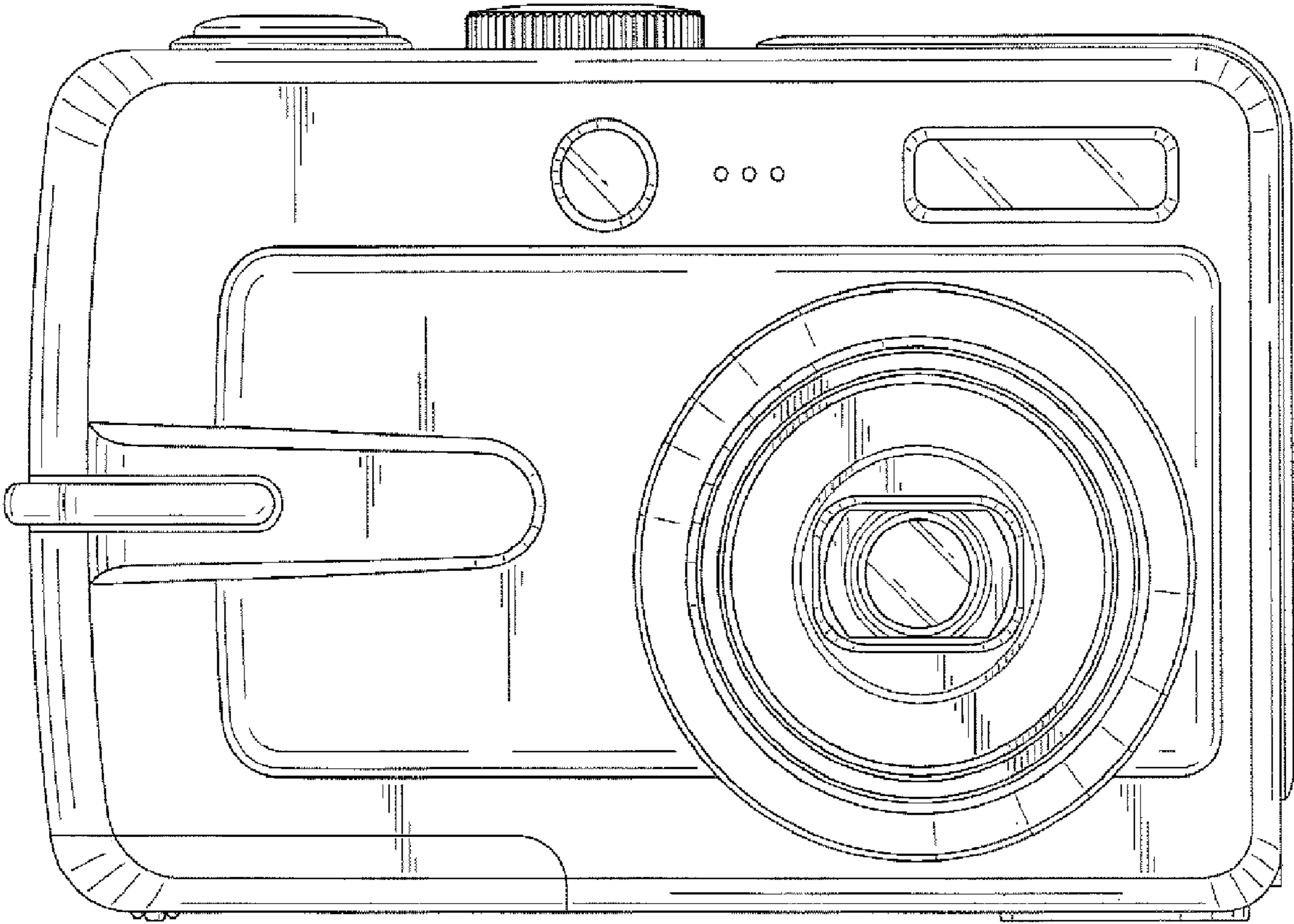


FIG. 8

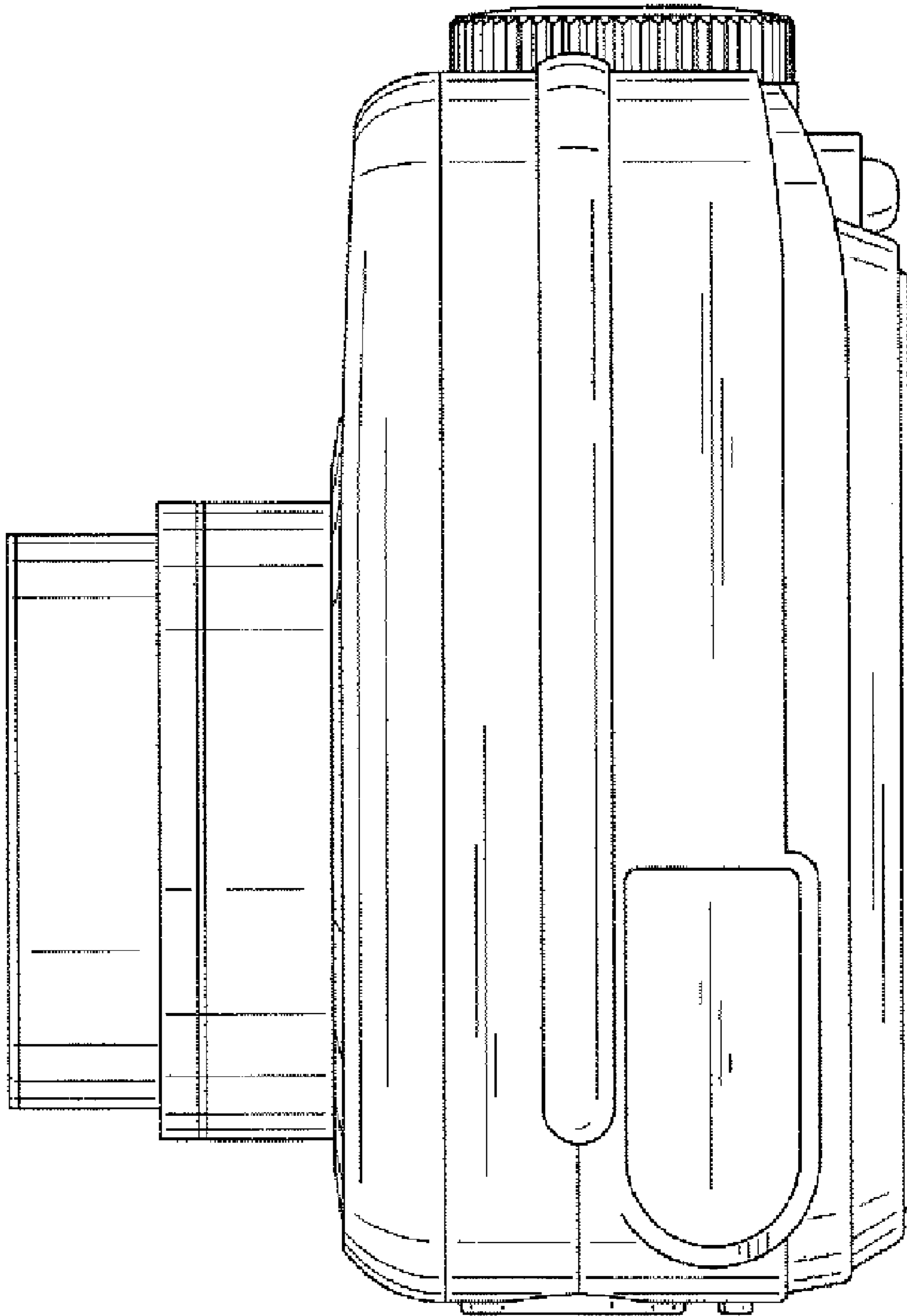


FIG. 9