



US00D565620S

(12) **United States Design Patent**
Masano

(10) **Patent No.:** **US D565,620 S**

(45) **Date of Patent:** **** Apr. 1, 2008**

(54) **VIDEO CAMERA WITH HARD DISC RECORDER**

(75) Inventor: **Kouji Masano**, Kadoma (JP)

(73) Assignee: **Matsushita Electric Industrial Co., Ltd.**, Osaka (JP)

(**) Term: **14 Years**

(21) Appl. No.: **29/273,260**

(22) Filed: **Mar. 1, 2007**

(30) **Foreign Application Priority Data**

Oct. 18, 2006 (JP) 2006-028210

(51) **LOC (8) Cl.** **16-01**

(52) **U.S. Cl.** **D16/202**

(58) **Field of Classification Search** D16/200–205,
D16/208, 218; 348/373–376; 358/906;
396/535–541

See application file for complete search history.

(56) **References Cited**

U.S. PATENT DOCUMENTS

D394,075 S	5/1998	Ninomiya et al.	
D406,157 S	2/1999	Goto	
D408,042 S	4/1999	Onoda et al.	
D408,043 S	4/1999	Goto et al.	
D408,428 S	4/1999	Ninomiya et al.	
D410,017 S	5/1999	Goto et al.	
D413,910 S	9/1999	Onoda et al.	
D413,911 S	9/1999	Goto et al.	
D418,852 S	1/2000	Onoda et al.	
D419,169 S	1/2000	Masano	
D423,541 S *	4/2000	Ohwada D16/202
D469,793 S	2/2003	Onoda et al.	
D469,794 S	2/2003	Onoda et al.	
D476,021 S	6/2003	Masano et al.	
D490,456 S	5/2004	Masano et al.	
D500,776 S *	1/2005	Miyashita D16/202

D507,290 S	7/2005	Nishiwaki	
D515,123 S *	2/2006	Kojima et al. D16/202
D532,805 S	11/2006	Masano et al.	
D533,206 S *	12/2006	Kim D16/202
D546,855 S *	7/2007	Masano et al. D16/202
D546,857 S *	7/2007	Nishiwaki et al. D16/202
2005/0062880 A1 *	3/2005	Kojima et al. 348/373
2005/0140823 A1 *	6/2005	Ishikuro 348/375

FOREIGN PATENT DOCUMENTS

JP	D 1098408	1/2001
JP	D 1098409	1/2001
JP	D 1249190	8/2005
JP	D 1276338	7/2006
JP	D 1276339	7/2006
JP	D 1285998	11/2006
JP	D 1286000	11/2006

* cited by examiner

Primary Examiner—Adir Aronovich

(74) *Attorney, Agent, or Firm*—Brinks Hofer Gilson & Lione

(57) **CLAIM**

I claim the ornamental design for a video camera with hard disc recorder, as shown and described.

DESCRIPTION

FIG. 1 is a front and right side perspective view of a video camera with hard disc recorder of the present invention; FIG. 2 is a rear and left side perspective view thereof; FIG. 3 is a front elevation view thereof; FIG. 4 is a top plan view thereof; FIG. 5 is a right side elevational view thereof; FIG. 6 is a left side elevational view thereof; FIG. 7 is a rear elevation view thereof; and, FIG. 8 is a bottom plan view thereof.

1 Claim, 4 Drawing Sheets

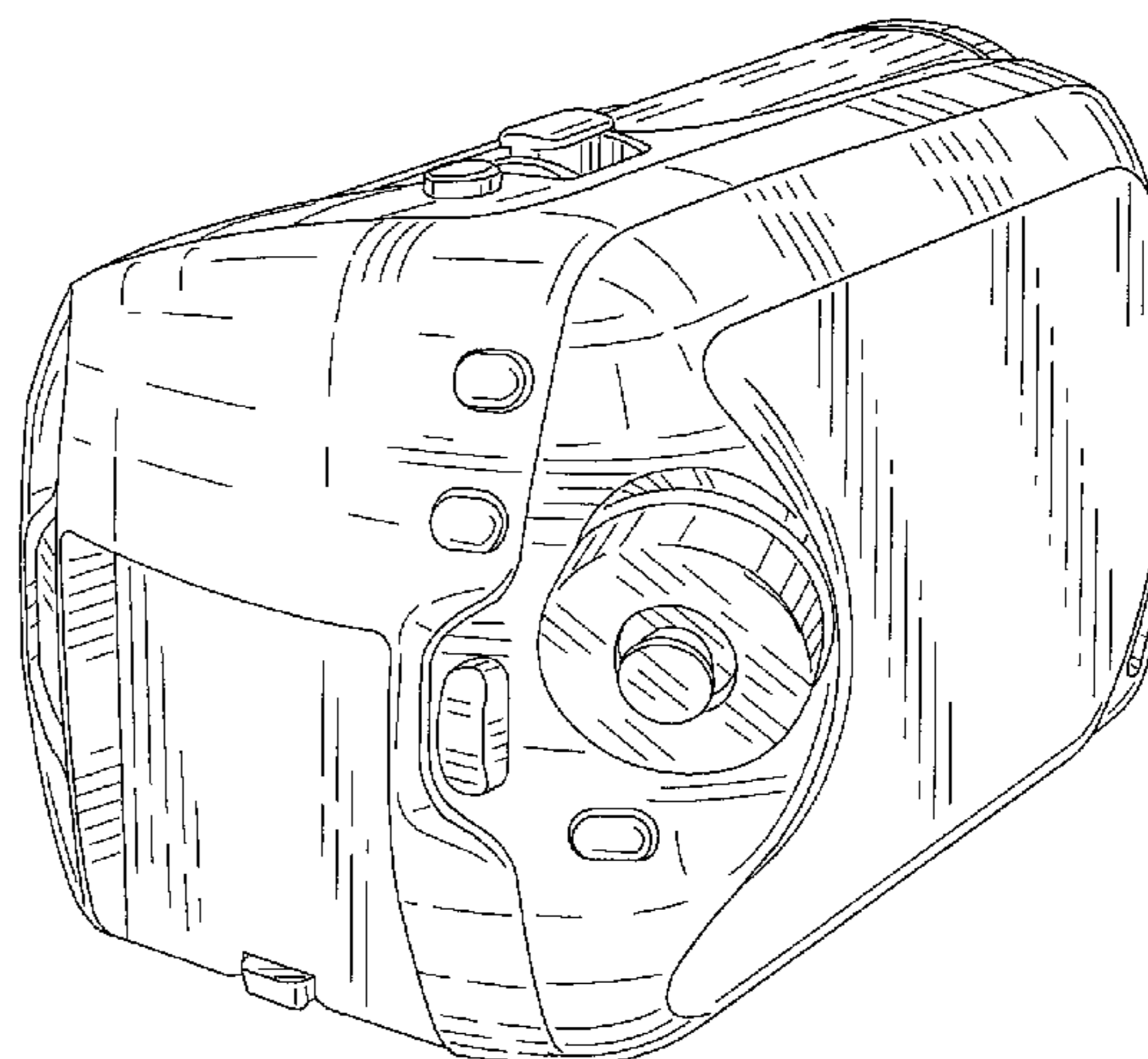
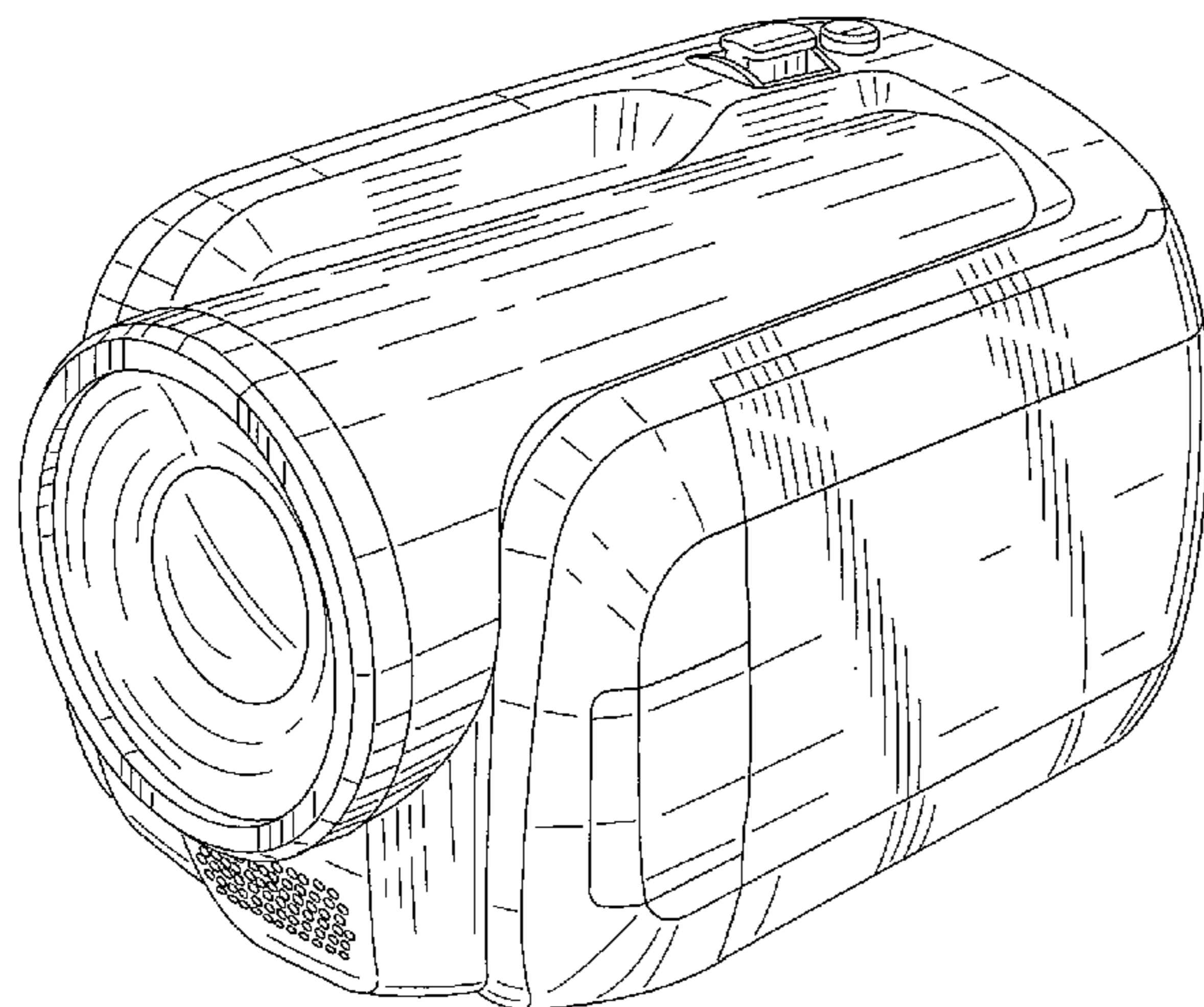


FIG.1

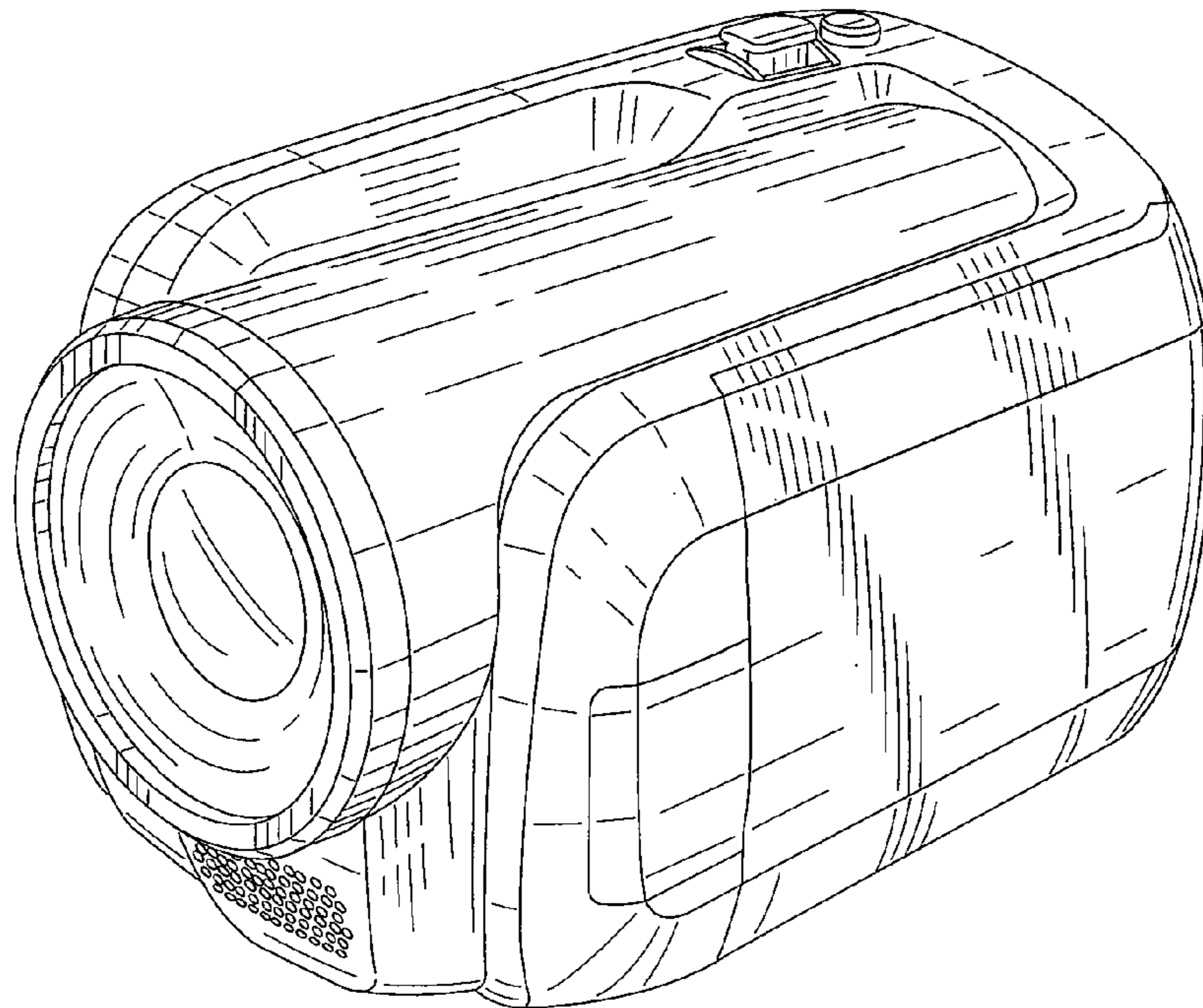


FIG.2

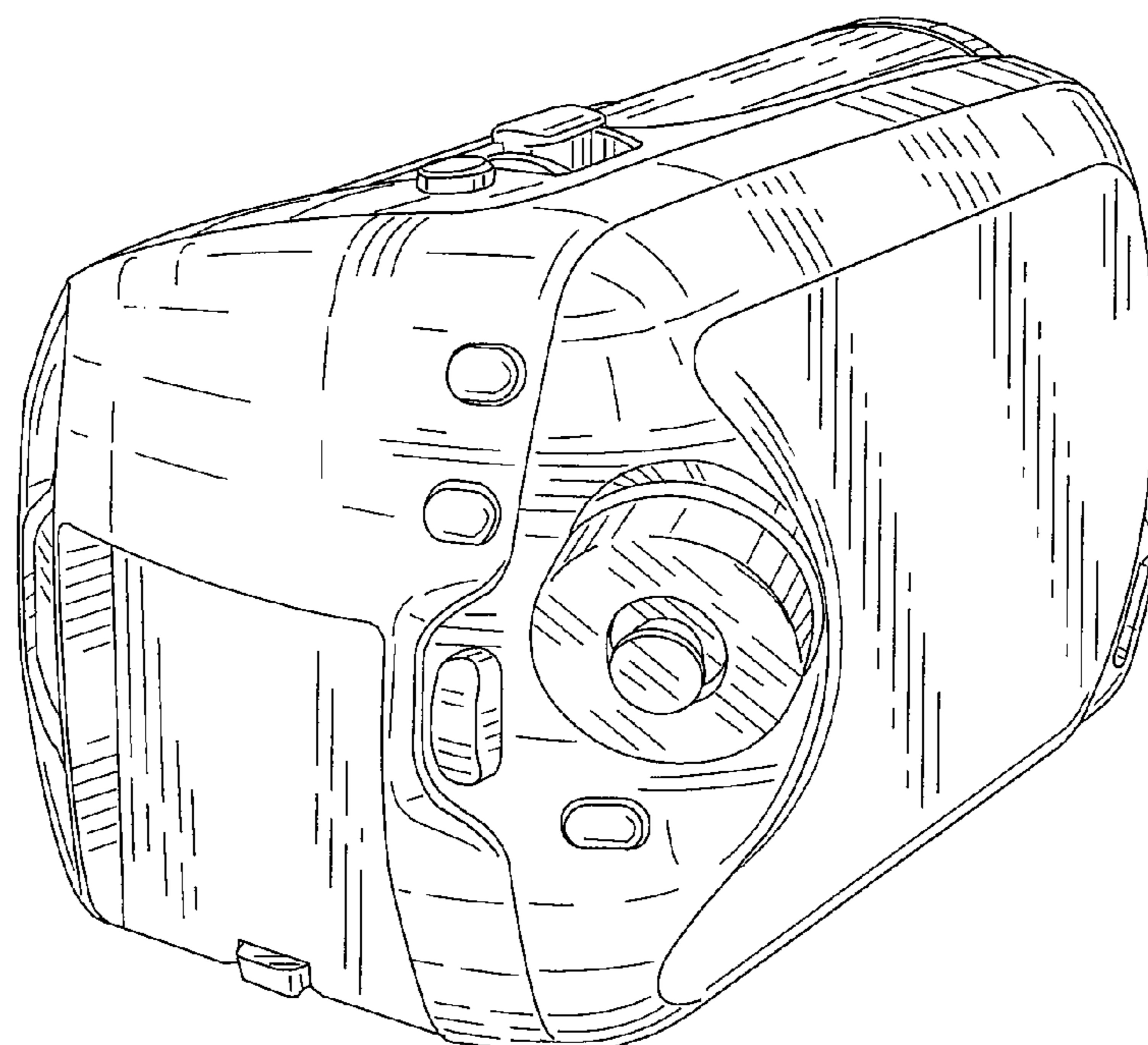


FIG.3

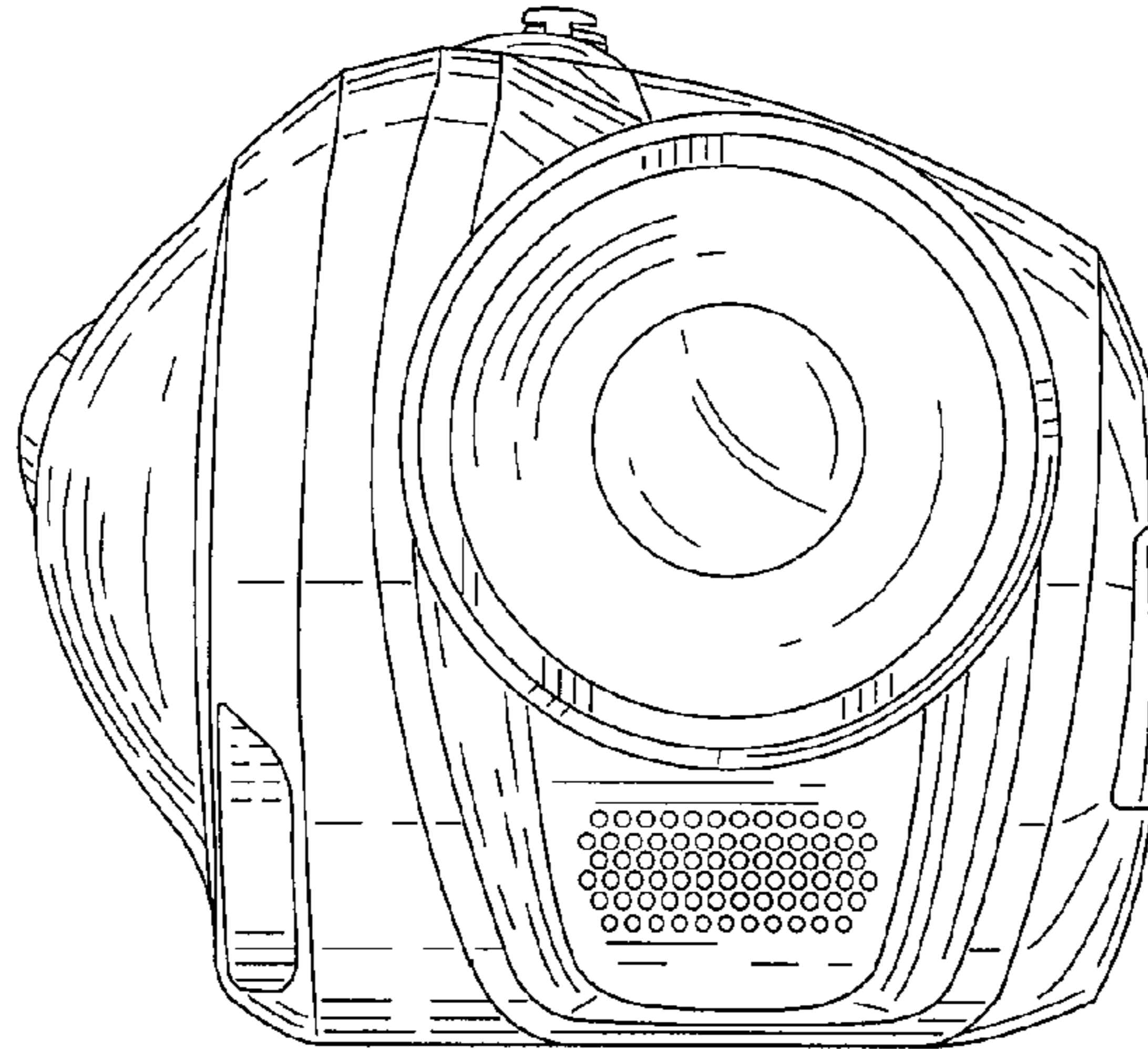


FIG.4

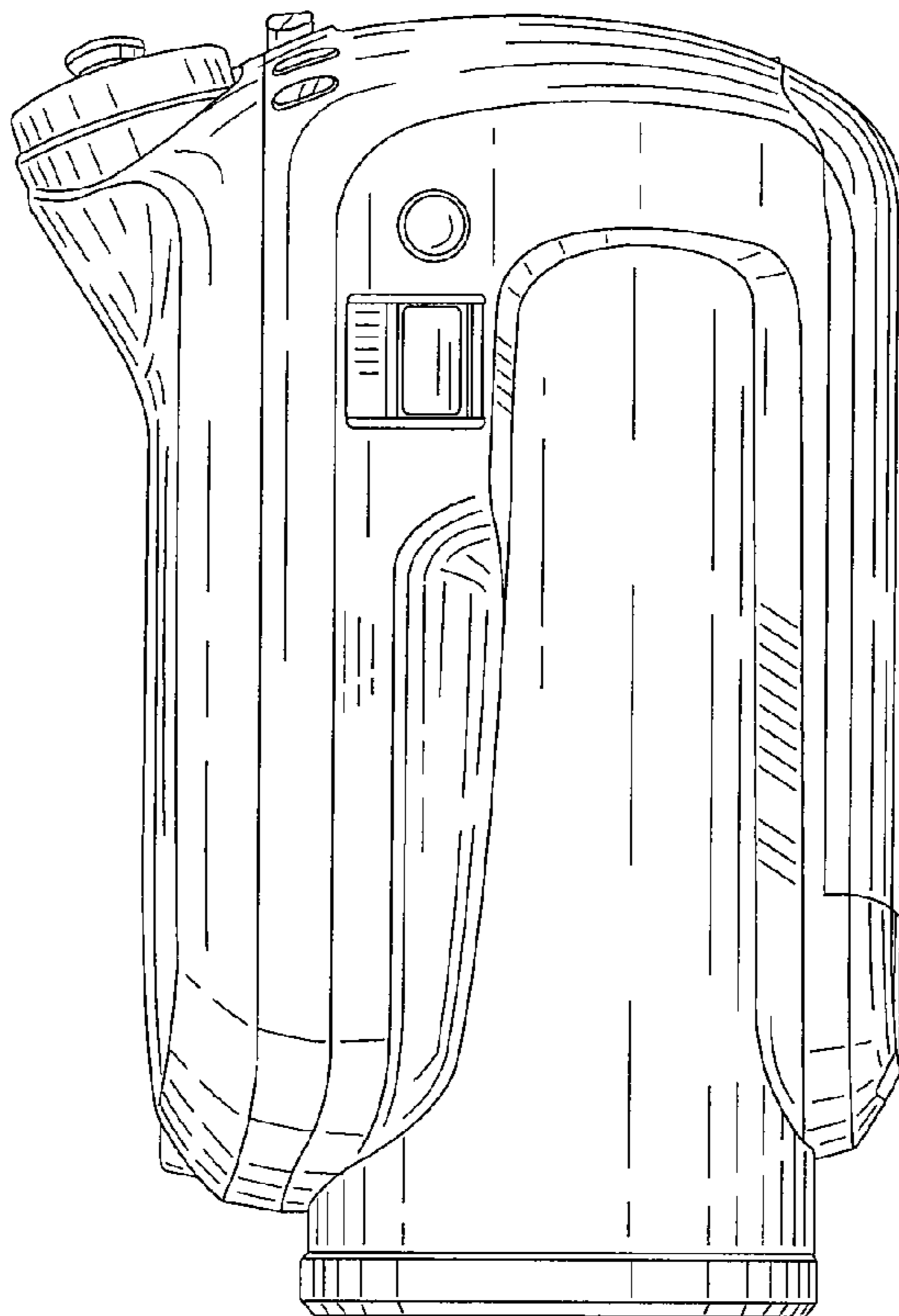


FIG.5

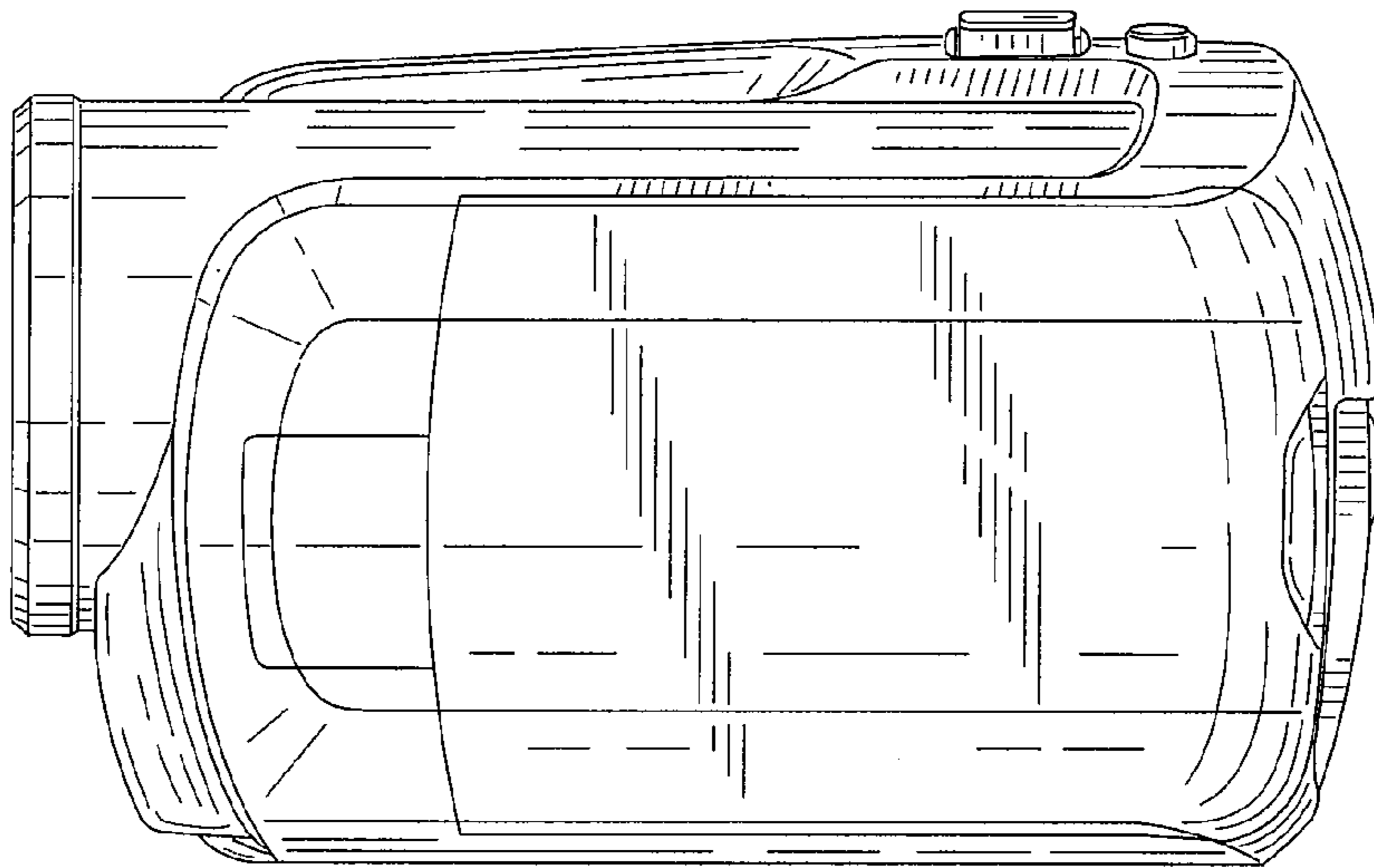


FIG.6

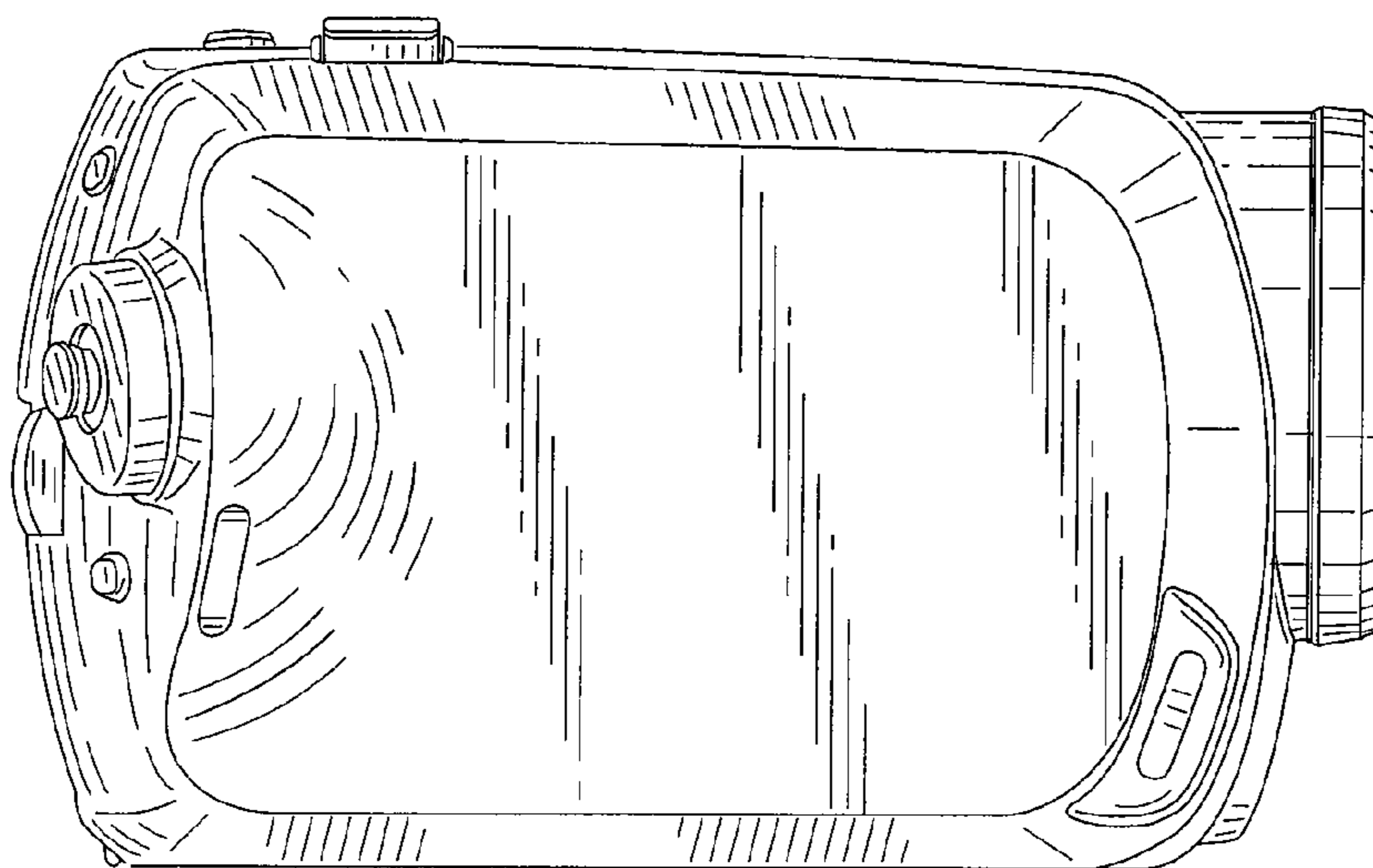


FIG.7

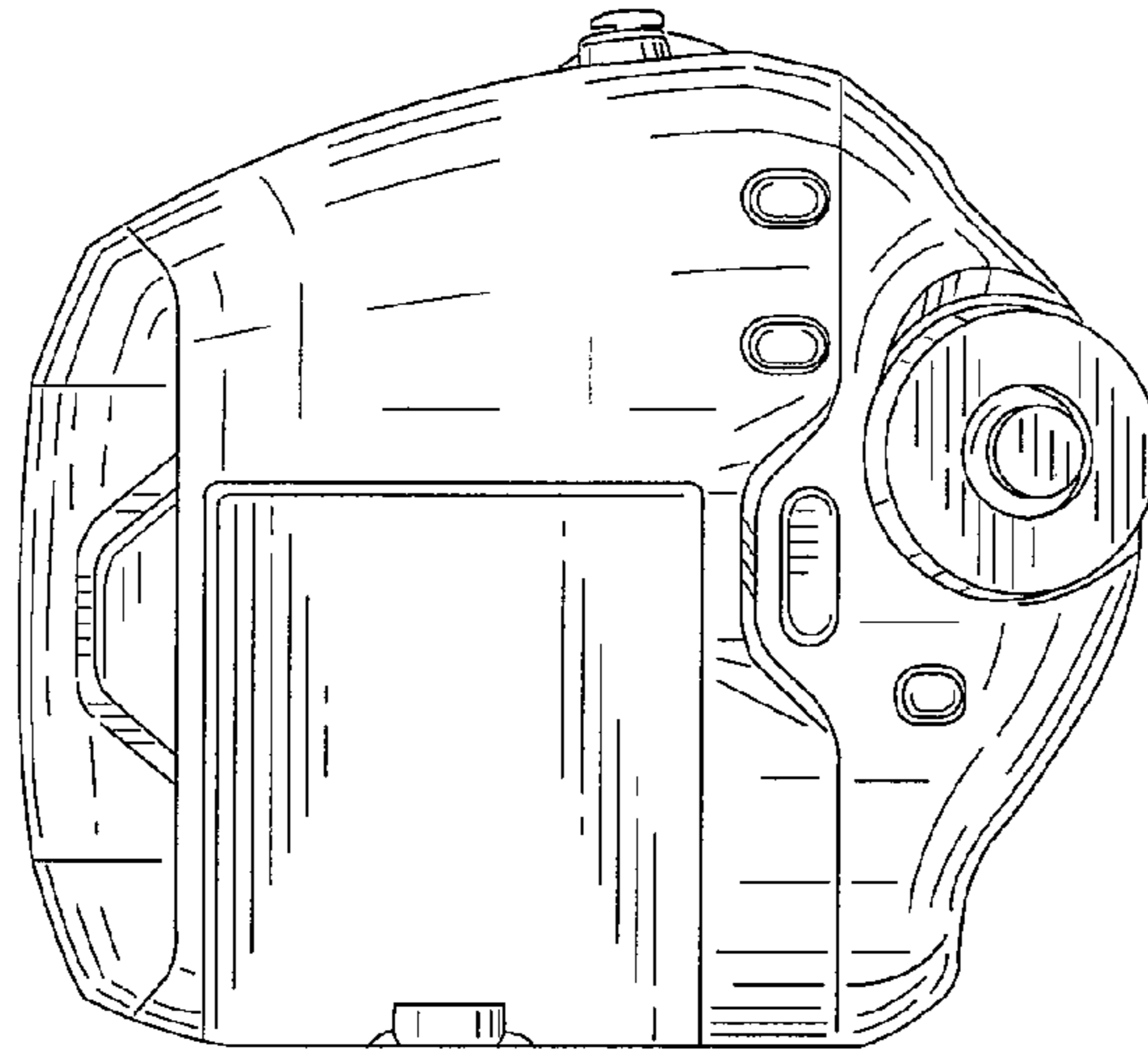


FIG.8

