



US00D565619S

(12) **United States Design Patent**  
**Nasu**

(10) **Patent No.:** **US D565,619 S**  
(45) **Date of Patent:** **\*\* Apr. 1, 2008**

(54) **DIGITAL CAMERA**

(75) Inventor: **Miyoshi Nasu**, Tokyo (JP)

(73) Assignee: **PENTAX Corporation**, Tokyo (JP)

(\*\*) Term: **14 Years**

(21) Appl. No.: **29/262,658**

(22) Filed: **Jul. 10, 2006**

(30) **Foreign Application Priority Data**

Jan. 13, 2006 (JP) ..... 2006-000462

(51) **LOC (8) Cl.** ..... **16-01**

(52) **U.S. Cl.** ..... **D16/202**

(58) **Field of Classification Search** ..... D16/200–204,  
D16/208, 218, 219; 348/373–376; 358/909.1;  
396/535–541

See application file for complete search history.

(56) **References Cited**

**U.S. PATENT DOCUMENTS**

D496,380 S	*	9/2004	Isomoto	.....	D16/202
D516,599 S	*	3/2006	Nakamura	.....	D16/202
D524,341 S	*	7/2006	Nagayama et al.	.....	D16/202
D524,345 S	*	7/2006	Hayamizu	.....	D16/202
D533,574 S	*	12/2006	Hamamura	.....	D16/202
D534,564 S	*	1/2007	Tainaka	.....	D16/202
D535,314 S	*	1/2007	Chang	.....	D16/202

**OTHER PUBLICATIONS**

National center for industrial property information received the document on Nov. 28, 2005; Name of document: Popular Science

No. 6; shown on p. 78; design of digital camera; Document number of trademark and design section in JP Patent Office is HB17012247.

\* cited by examiner

*Primary Examiner*—Adir Aronovich

(74) *Attorney, Agent, or Firm*—Sughrue Mion, PLLC

(57) **CLAIM**

The ornamental design for a digital camera, as shown and described.

**DESCRIPTION**

FIG. 1 is a perspective view of the top, front and right side of a digital camera showing my new design;

FIG. 2 is a top plan view thereof;

FIG. 3 is a front elevational view thereof;

FIG. 4 is a left side elevational view thereof;

FIG. 5 is a right side elevational view thereof;

FIG. 6 is a rear elevational view thereof;

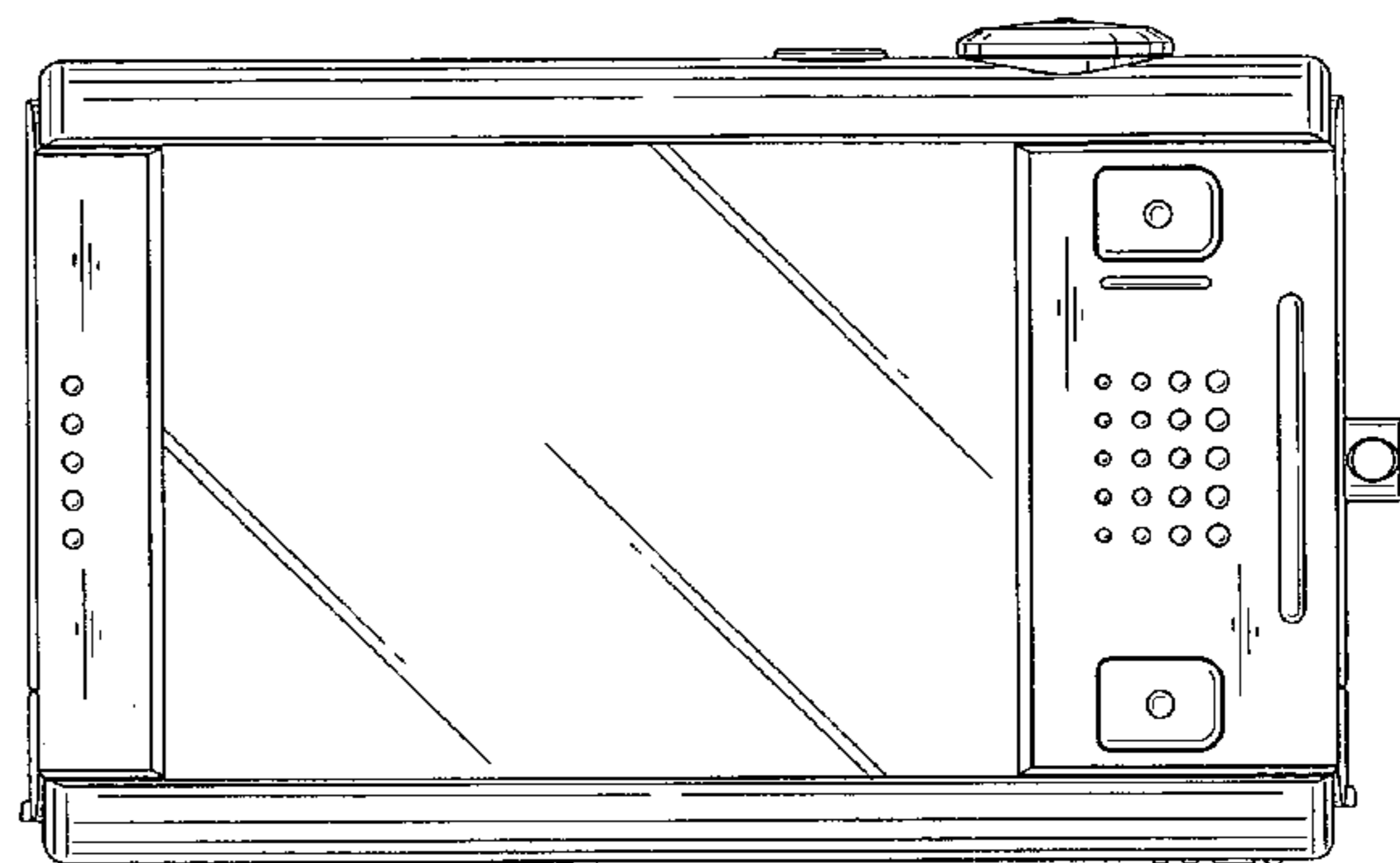
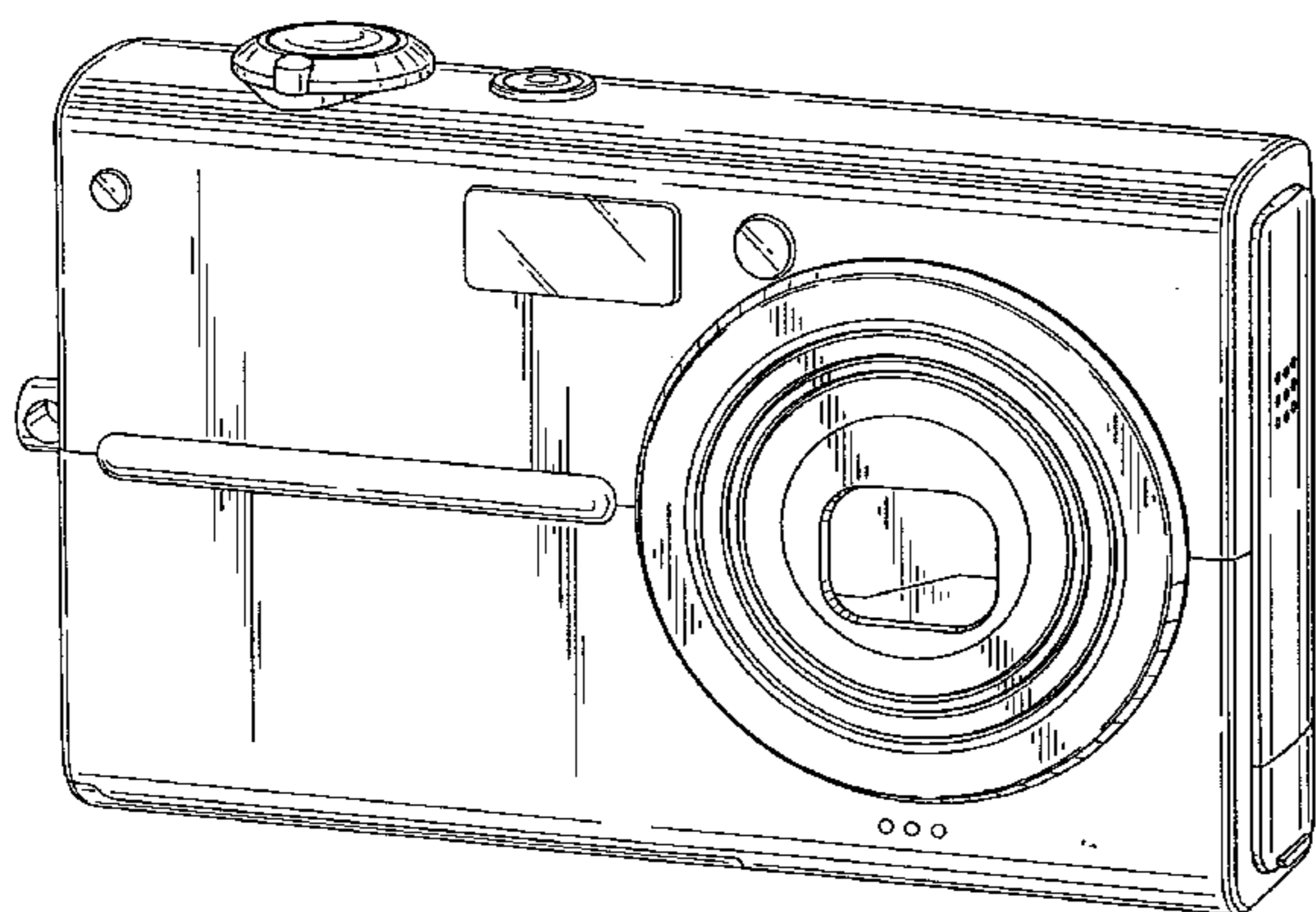
FIG. 7 is a bottom plan view thereof;

FIG. 8 is a front elevational view thereof in a picture taking mode;

FIG. 9 is a right side elevational view thereof in a picture taking mode; and,

FIG. 10 is a top plan view thereof in a picture taking mode.

**1 Claim, 6 Drawing Sheets**



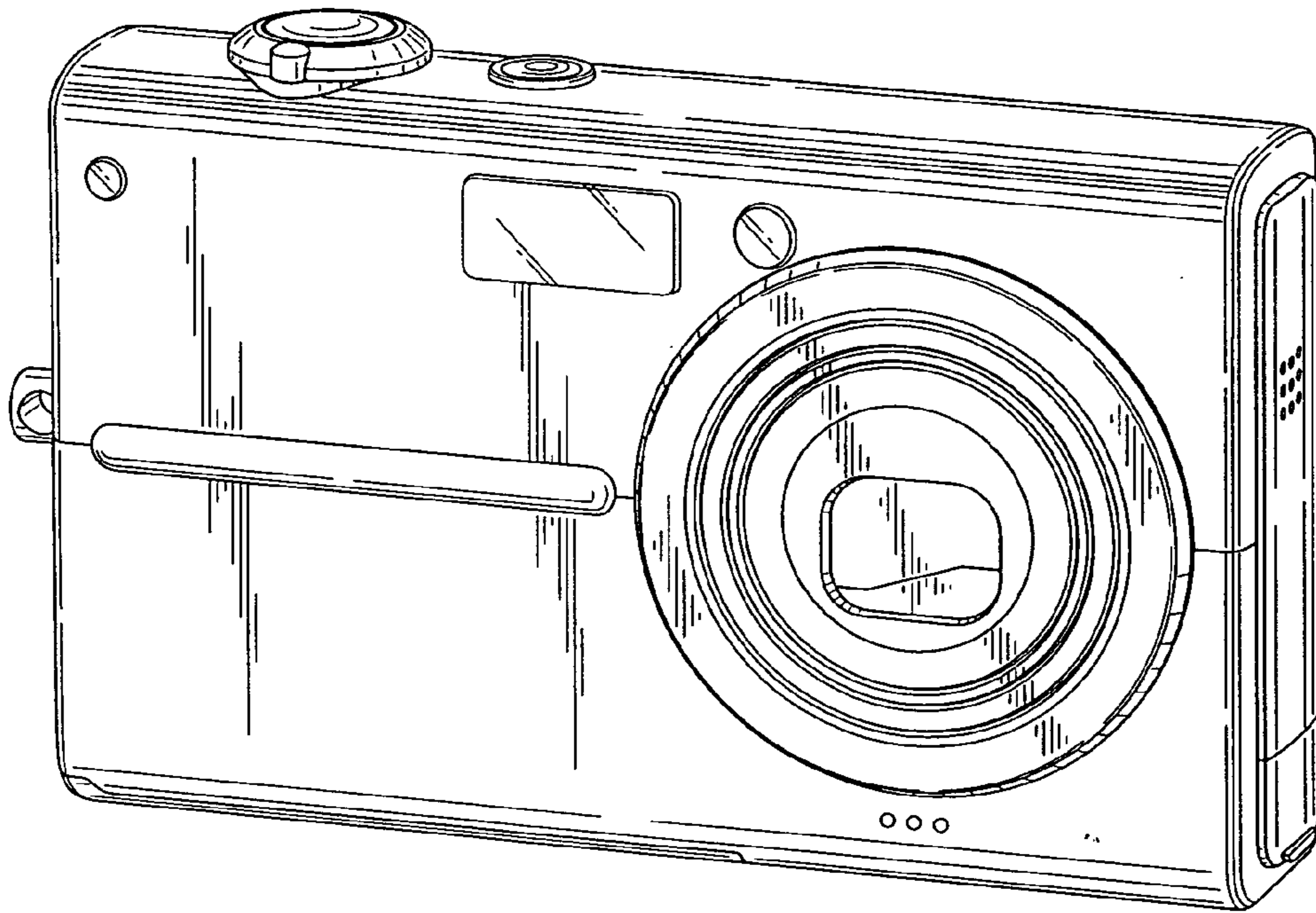
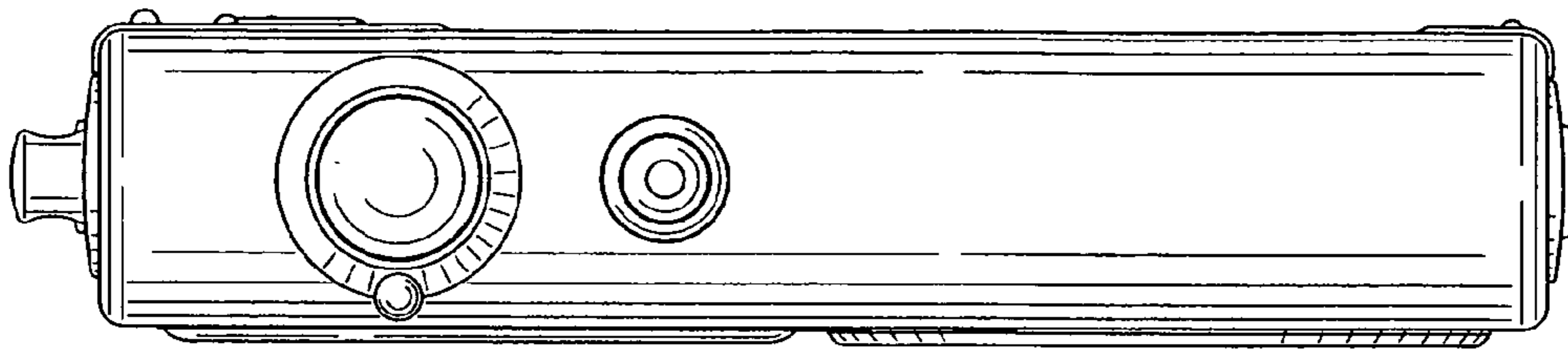
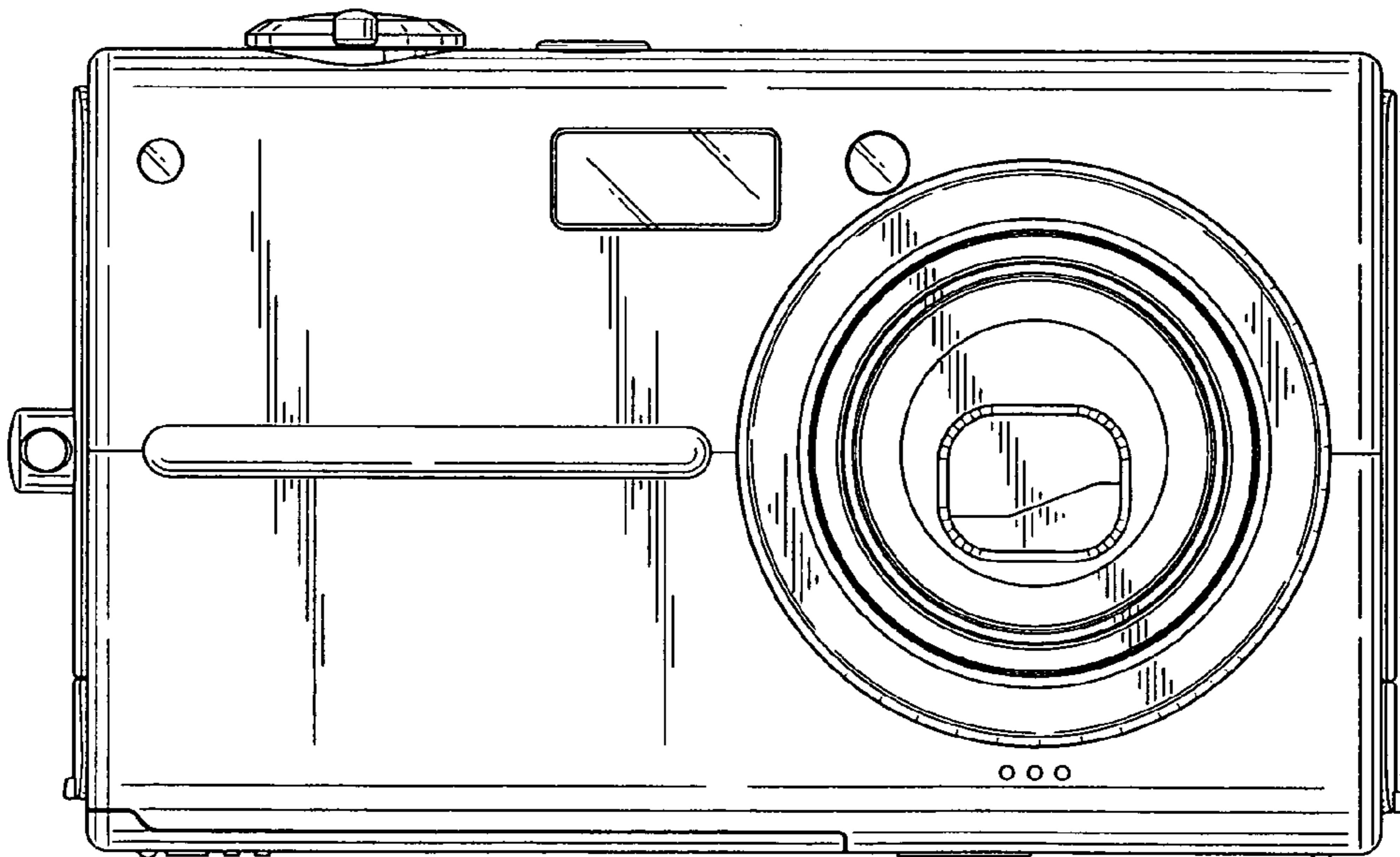


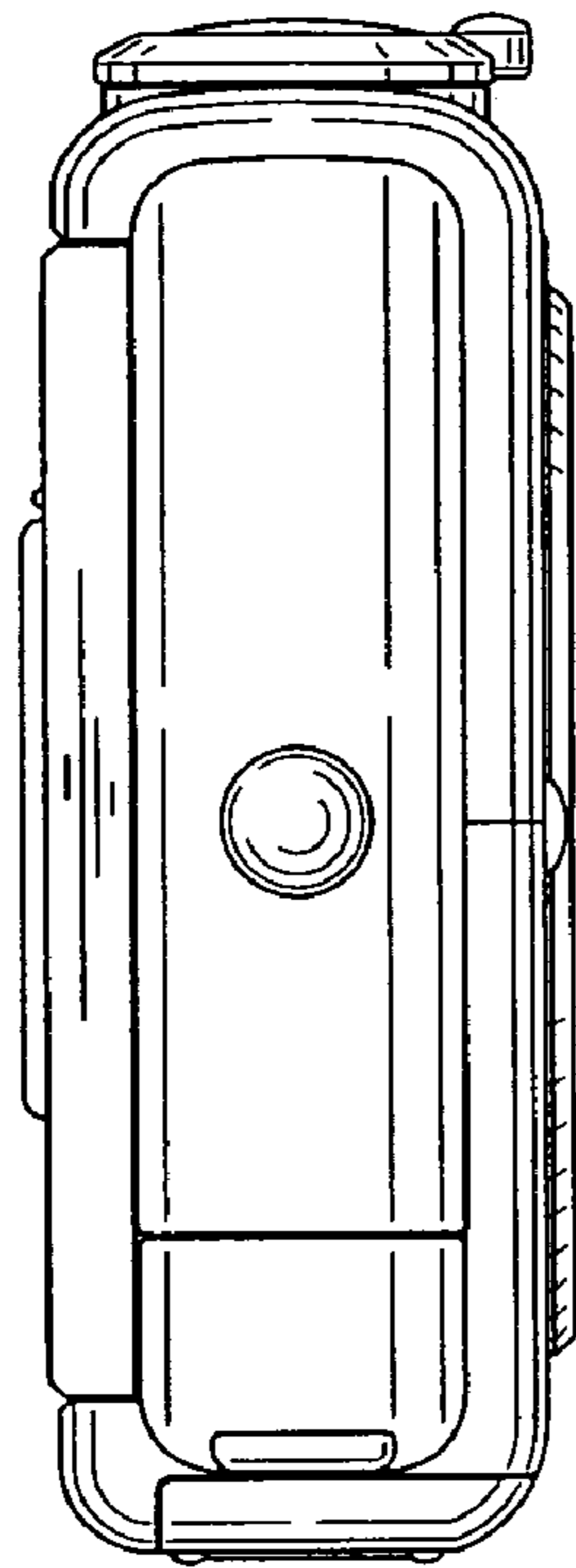
FIG. 1



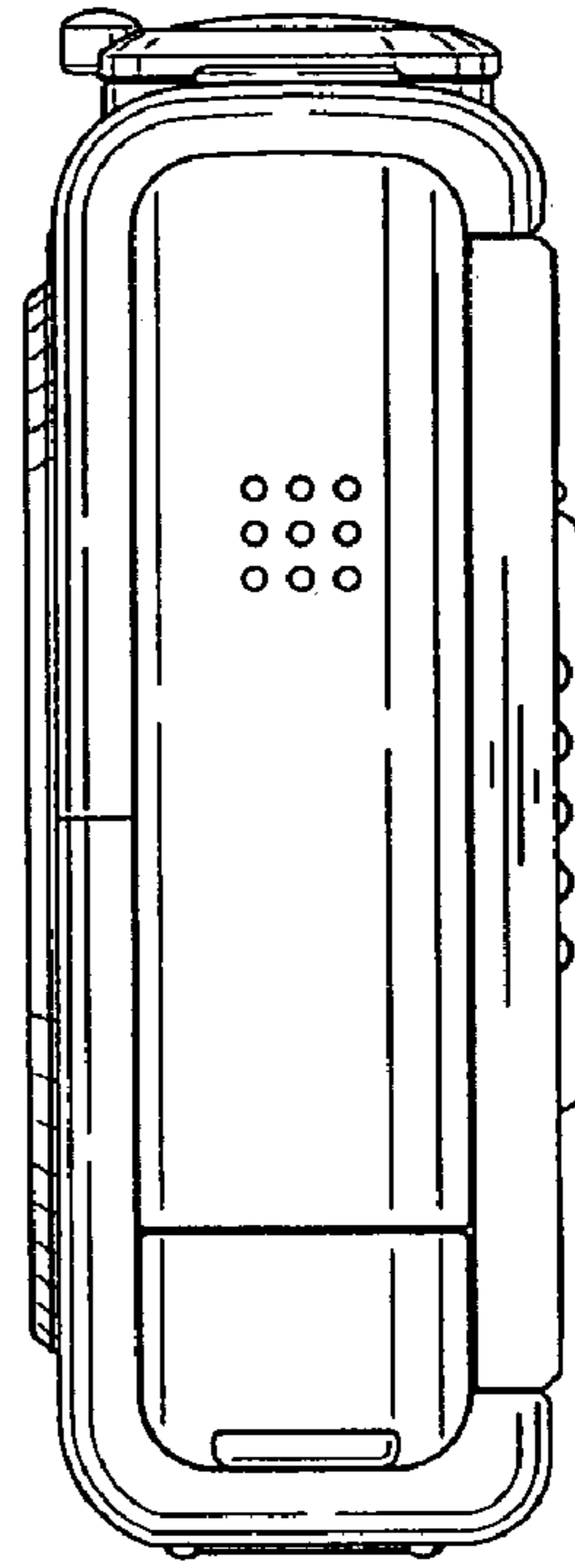
*FIG. 2*



*FIG. 3*



*FIG. 4*



*FIG. 5*

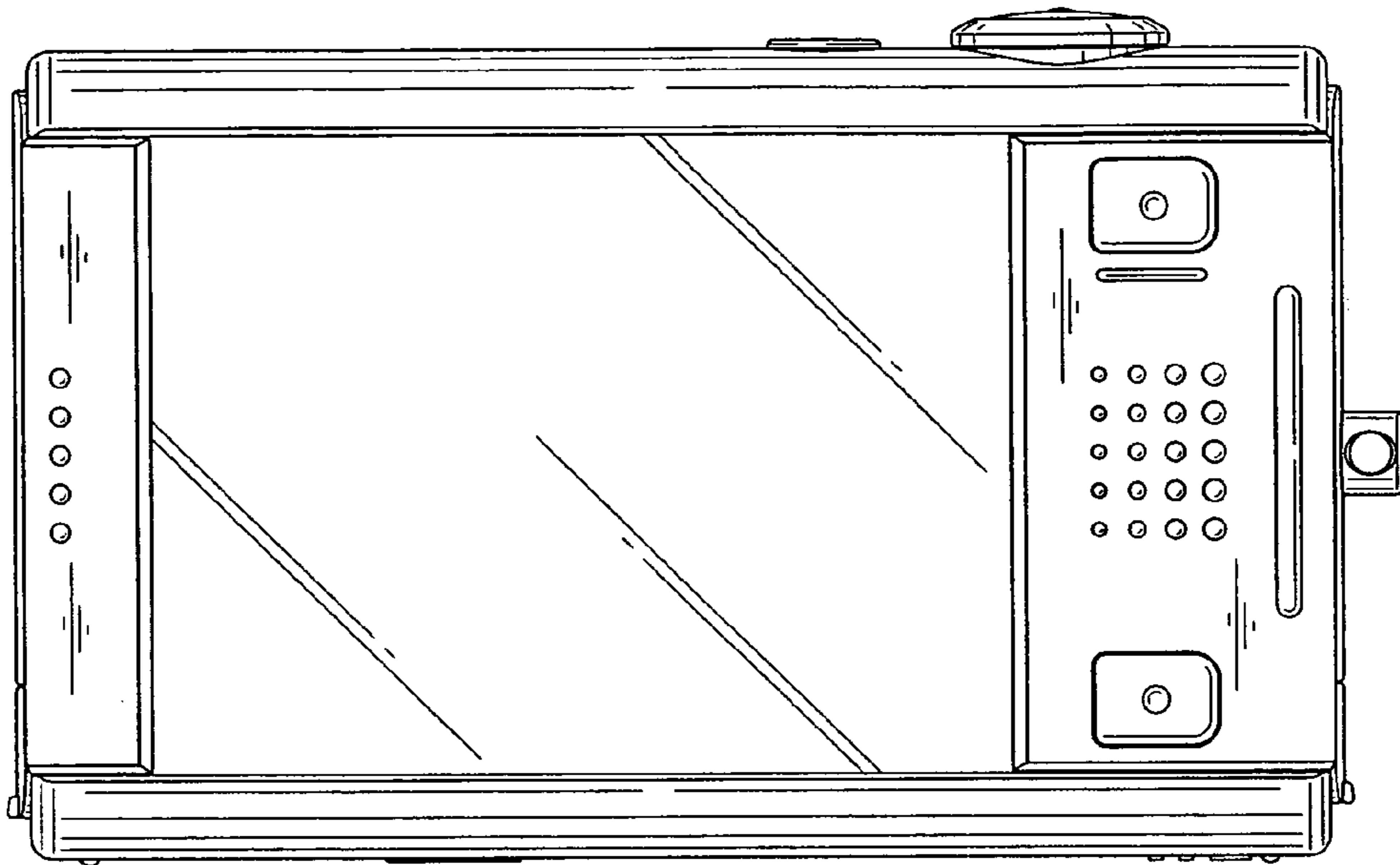


FIG. 6

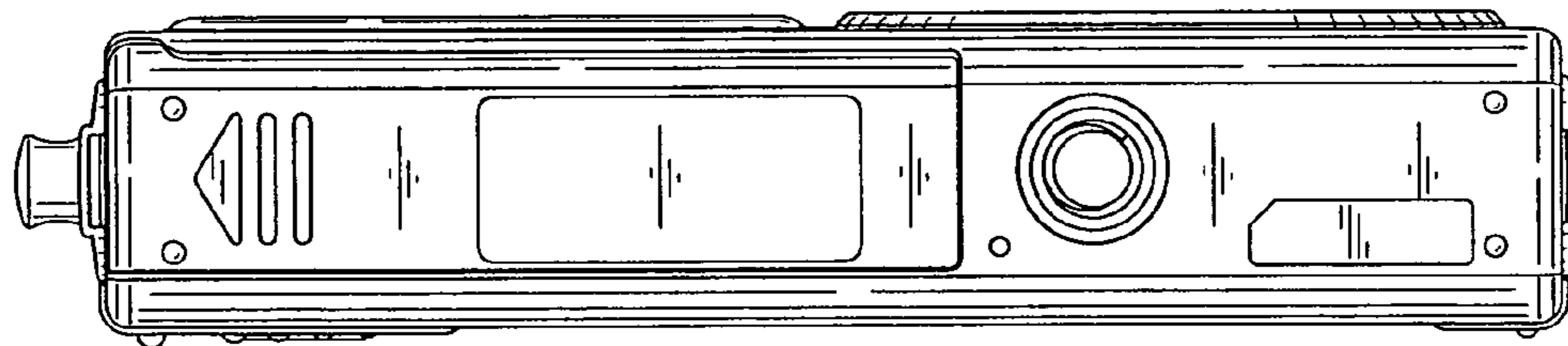


FIG. 7

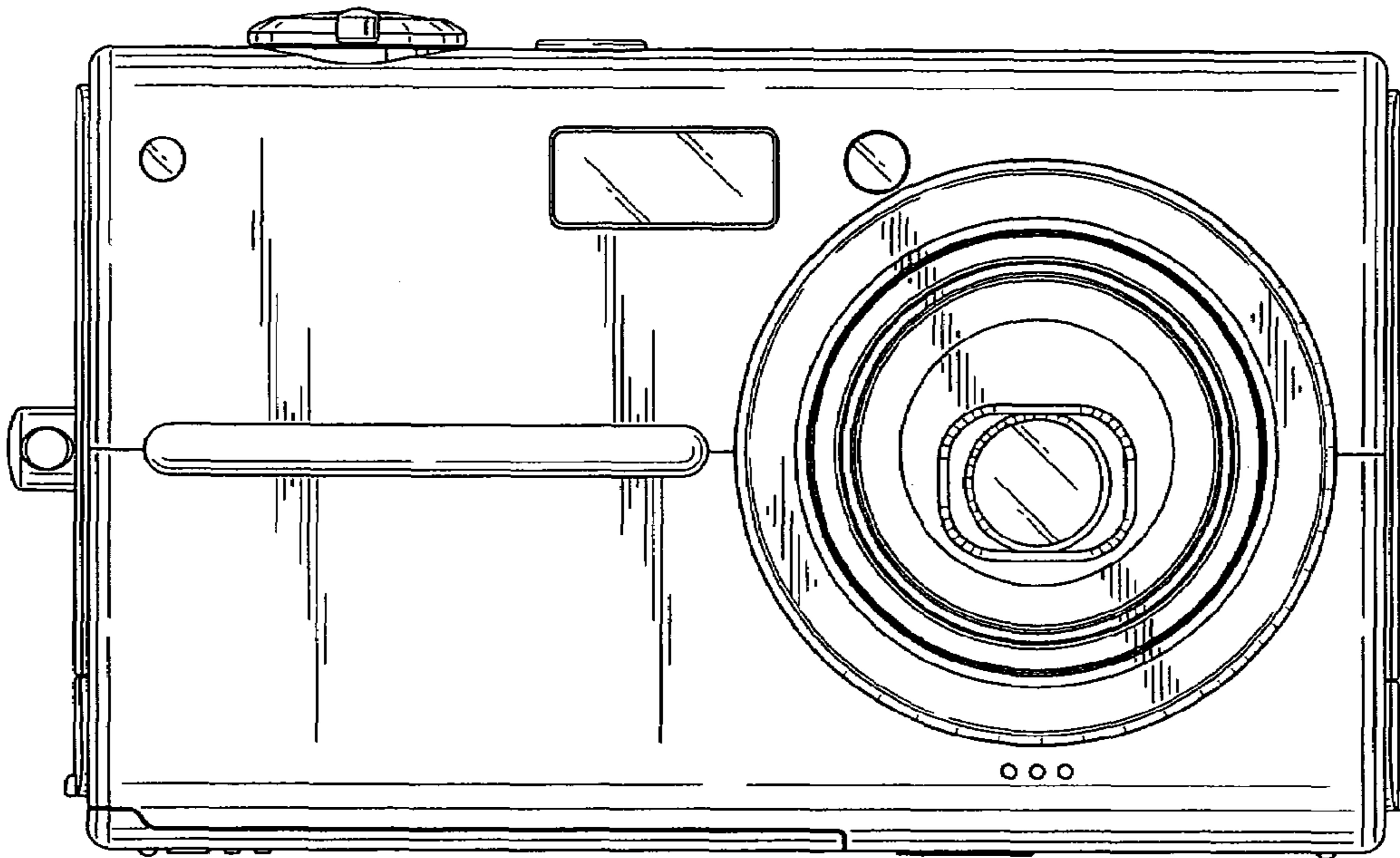


FIG. 8

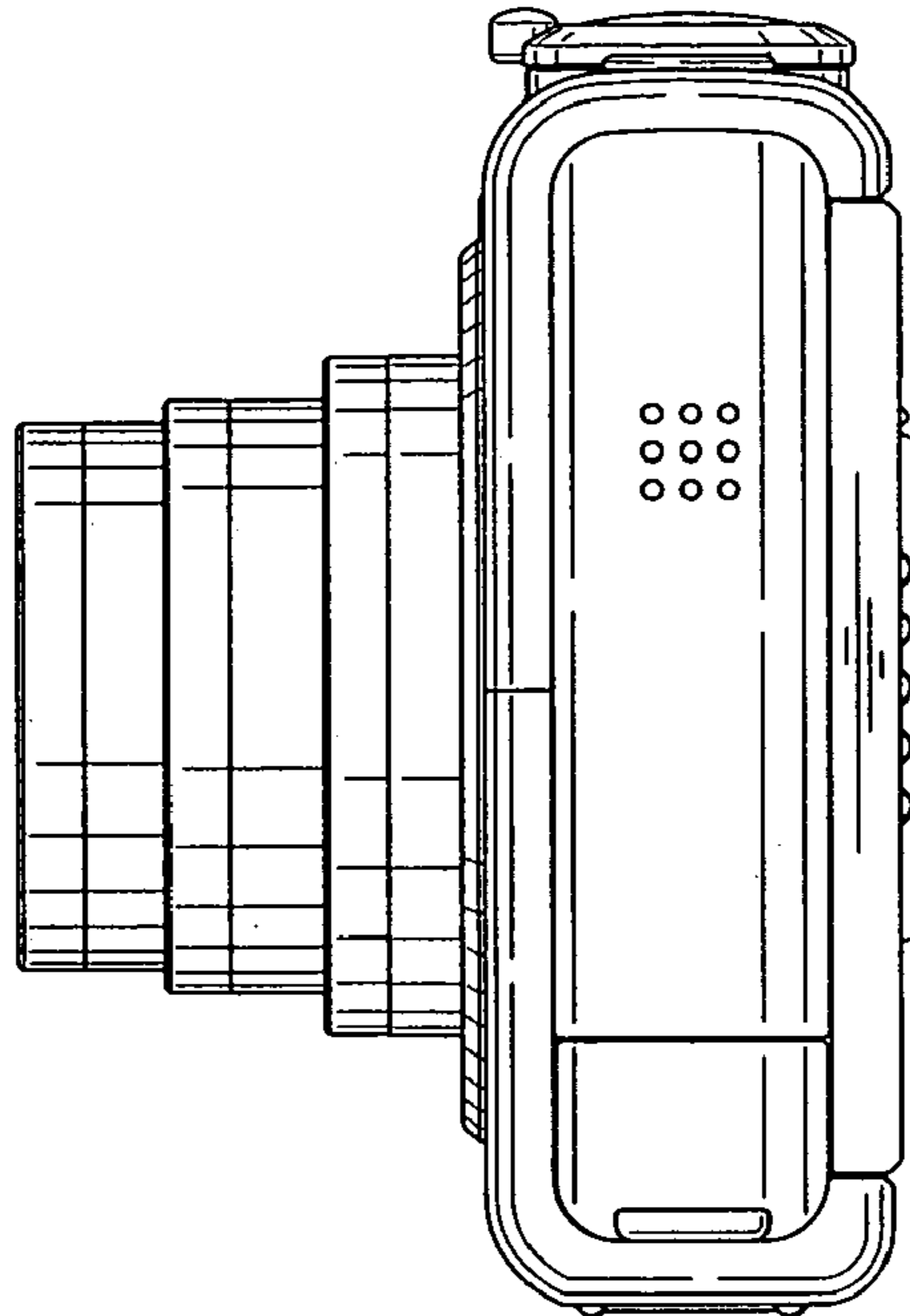


FIG. 9

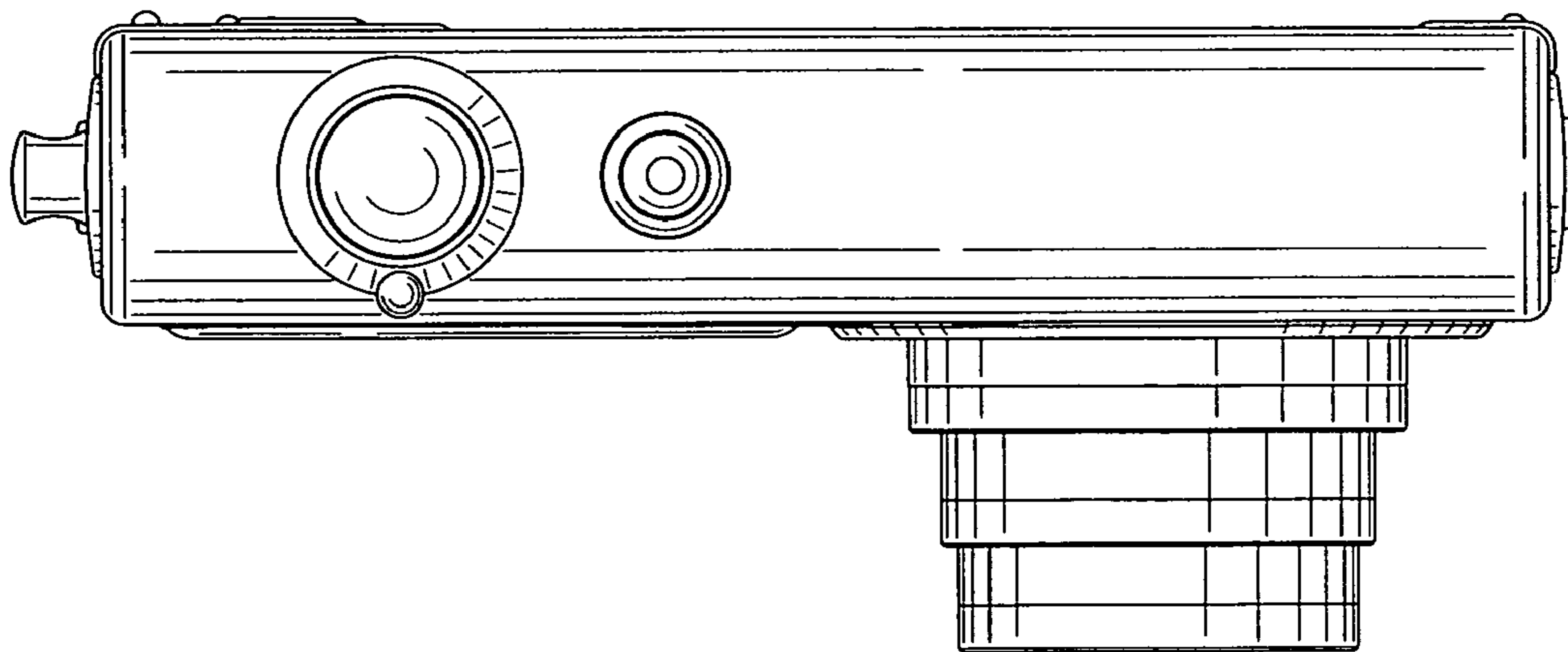


FIG. 10