



US00D565618S

(12) **United States Design Patent**  
**Yip et al.**

(10) **Patent No.:** **US D565,618 S**

(45) **Date of Patent:** **\*\* Apr. 1, 2008**

(54) **COMBINATION MAGNIFIER AND HOUSING  
TWEEZER ARMS**

D406,853 S \* 3/1999 Chan ..... D16/135  
D490,453 S \* 5/2004 Passarella et al. .... D16/135

(75) Inventors: **Gin Fai Yip**, North Point (HK); **Bryan Yip**, Kowloon (HK)

\* cited by examiner

*Primary Examiner*—Paula A. Greene

(73) Assignee: **Leading Extreme Optimist Industries, Ltd.**, Chaiwan (HK)

(74) *Attorney, Agent, or Firm*—Carmody & Torrance LLP

(\*\*) Term: **14 Years**

(57) **CLAIM**

(21) Appl. No.: **29/270,130**

The ornamental design for a combination magnifier and housing for tweezer arms, as shown and described.

(22) Filed: **Dec. 15, 2006**

**DESCRIPTION**

(51) **LOC (8) Cl.** ..... **16-06**

(52) **U.S. Cl.** ..... **D16/135**

(58) **Field of Classification Search** ..... D16/130,  
D16/135; 359/802–805, 808–809, 810–811;  
606/210–211; D28/55; D7/391, 664; 294/55,  
294/99.2; 30/120.3; D24/143; 452/6  
See application file for complete search history.

FIG. 1 is a perspective view of a combination magnifier and housing for tweezer arms showing our new design;

FIG. 2 is a top plan view thereof;

FIG. 3 is a bottom plan view thereof;

FIG. 4 is a first end elevational view thereof;

FIG. 5 is a second end elevational view thereof;

FIG. 6 is a right side elevational view thereof;

FIG. 7 is a left side elevational view thereof; and,

FIG. 8 is a perspective view of the combination magnifier and housing for tweezer arms in an exemplary “open” position.

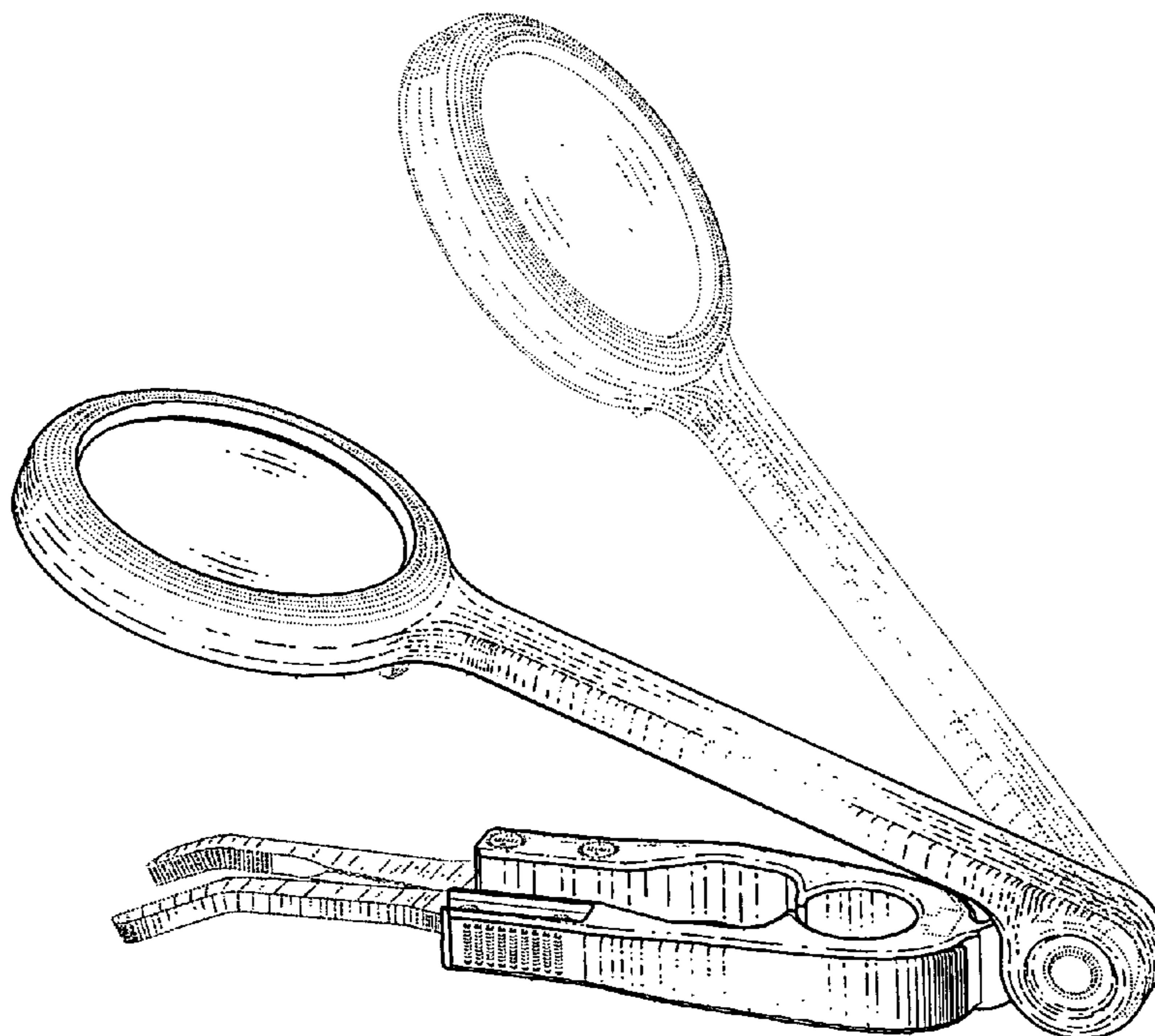
The dotted lines are intended to show features that are environmental only and form no part of the claimed design. All surface lines are merely intended to illustrate the contour of the surfaces represented.

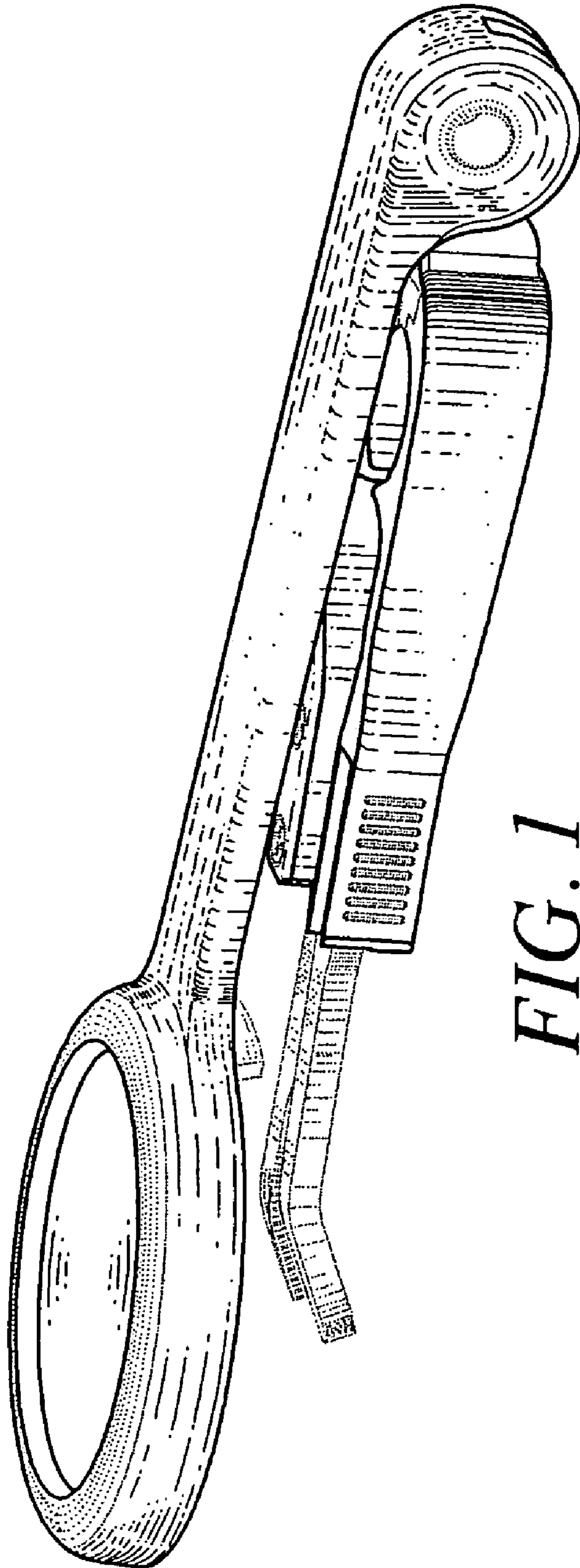
(56) **References Cited**

U.S. PATENT DOCUMENTS

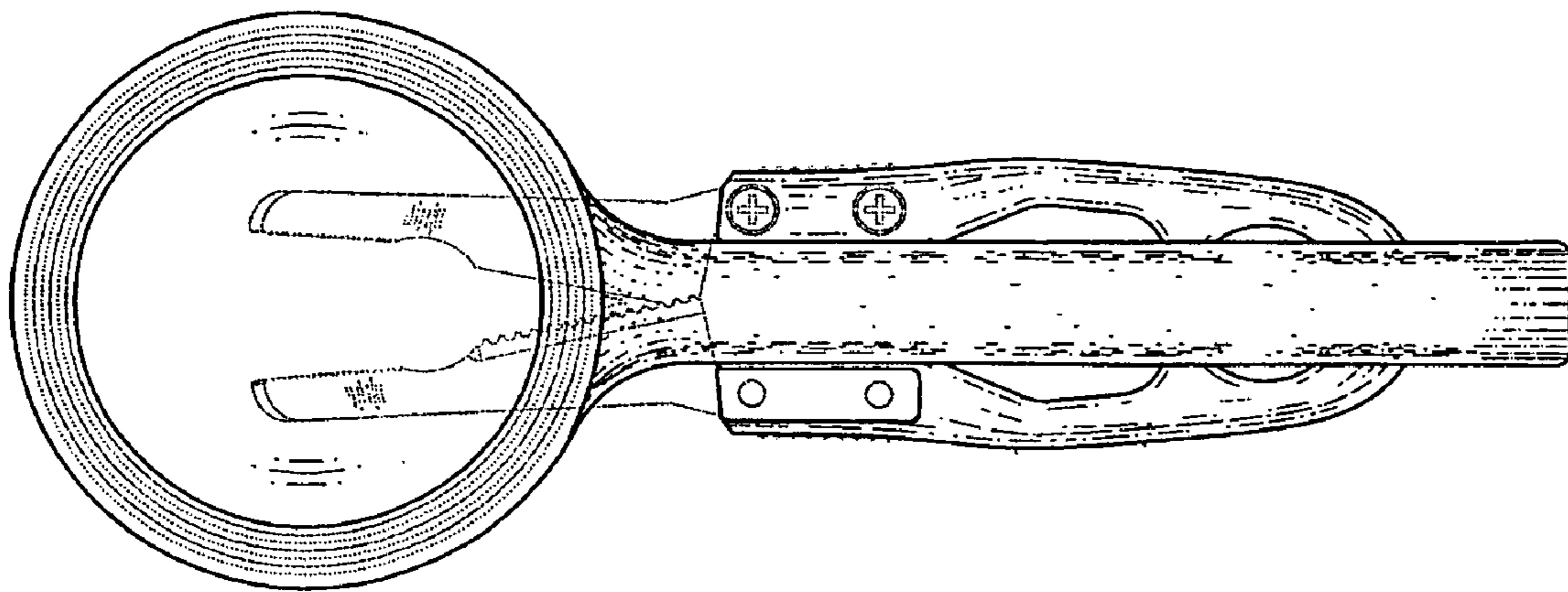
- 508,355 A \* 11/1893 Streeter et al. .... 30/120.3
- 3,510,204 A \* 5/1970 Jack ..... 359/810
- D230,100 S \* 1/1974 Hornbeck ..... D28/55
- D262,064 S \* 11/1981 Rainin ..... D28/55
- D272,479 S \* 1/1984 Van Roeyen et al. .... D28/55
- 4,836,596 A \* 6/1989 Owen ..... 294/99.2
- D343,027 S \* 1/1994 Coleman ..... D28/55
- 5,358,297 A \* 10/1994 Coleman ..... 294/99.2
- 5,709,423 A \* 1/1998 Romero ..... 294/25

**1 Claim, 7 Drawing Sheets**

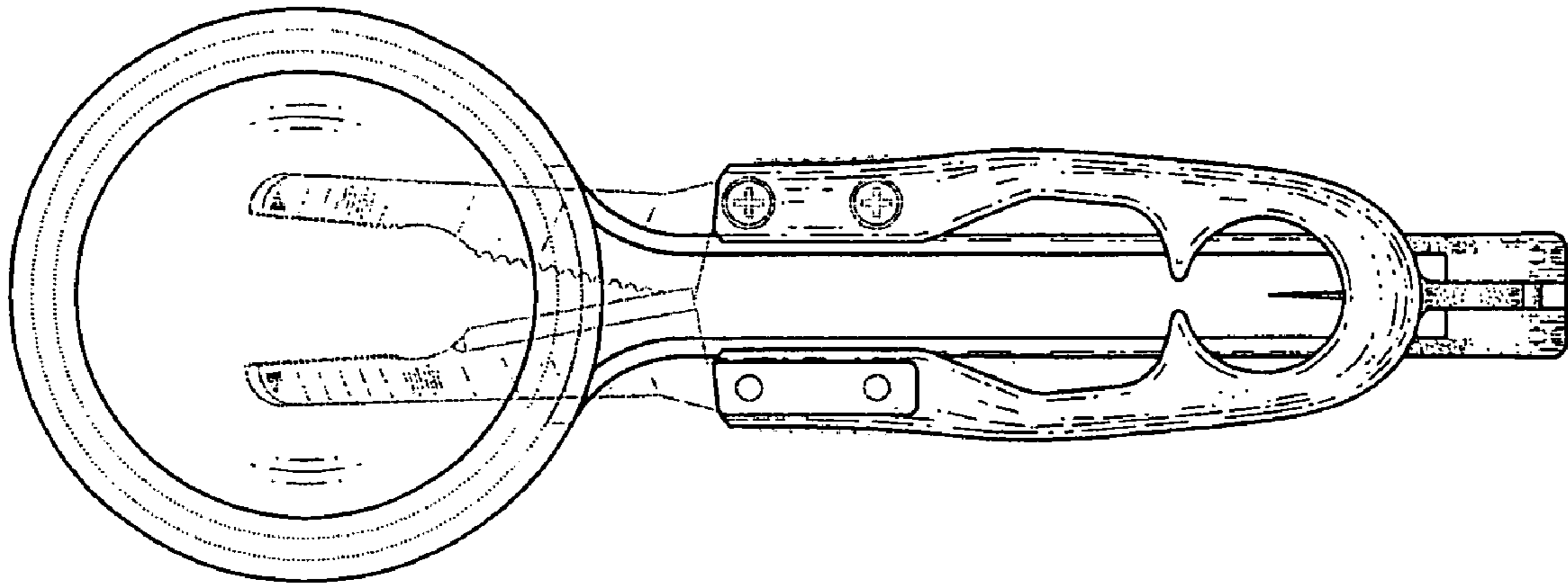




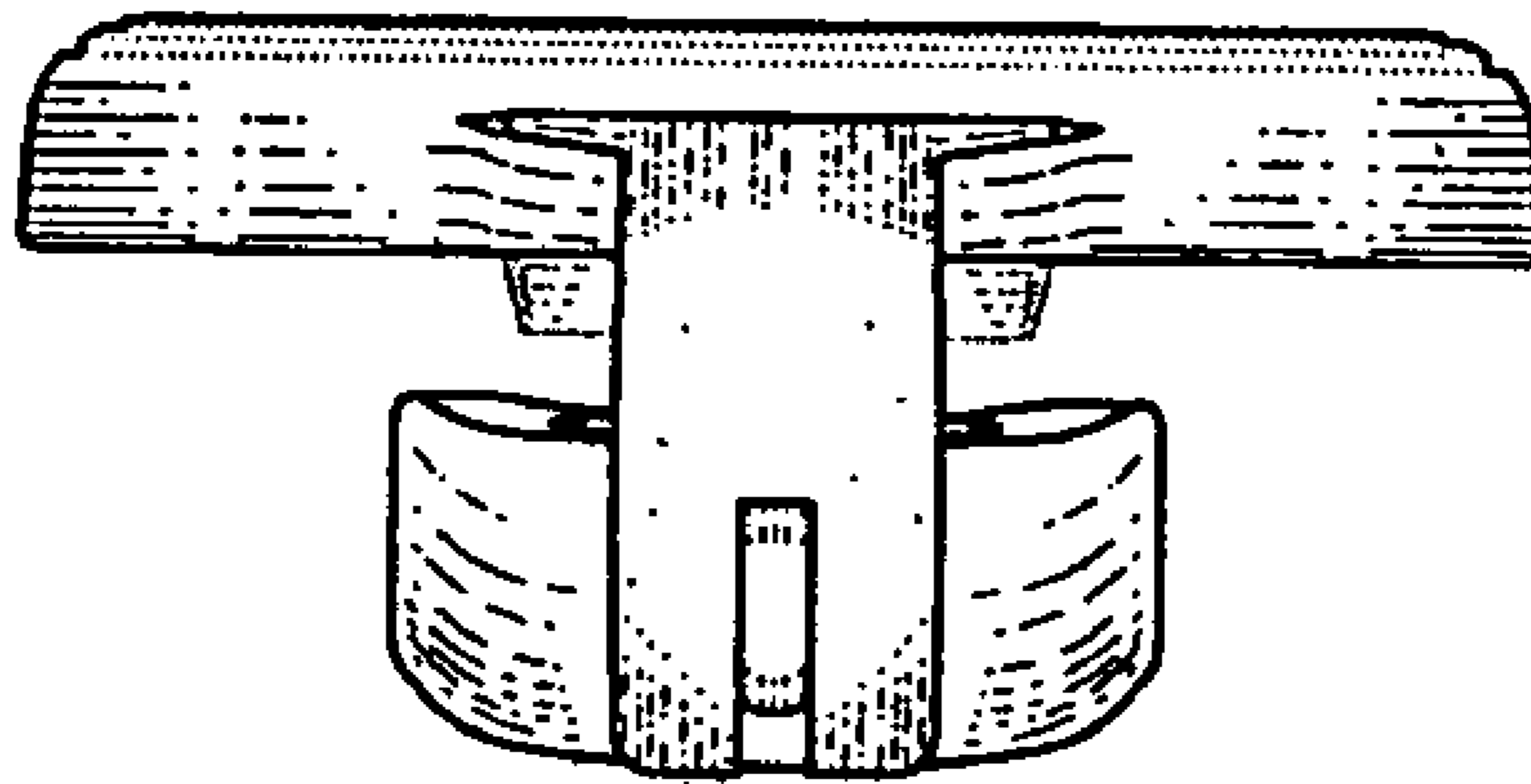
**FIG. 1**



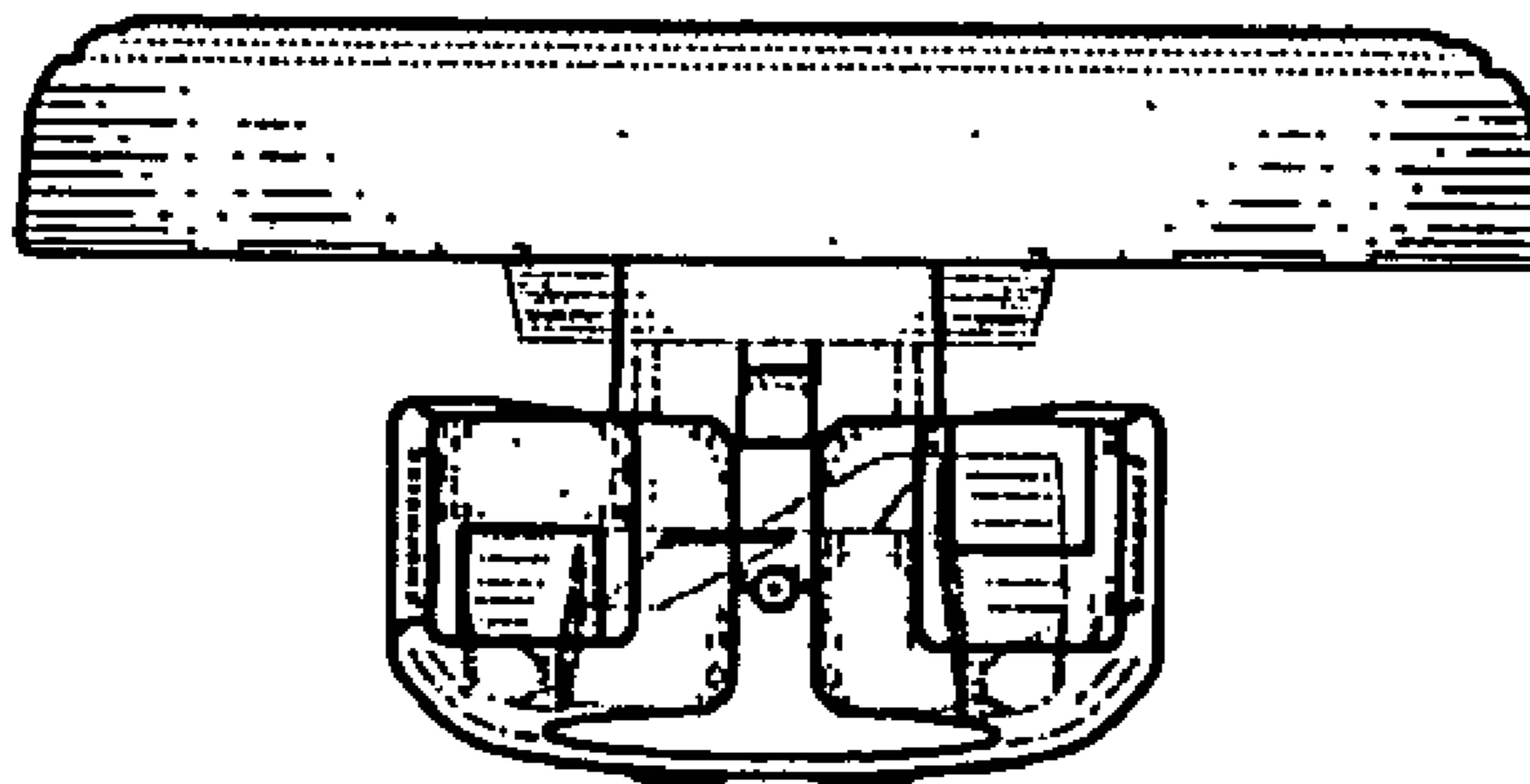
*FIG. 2*



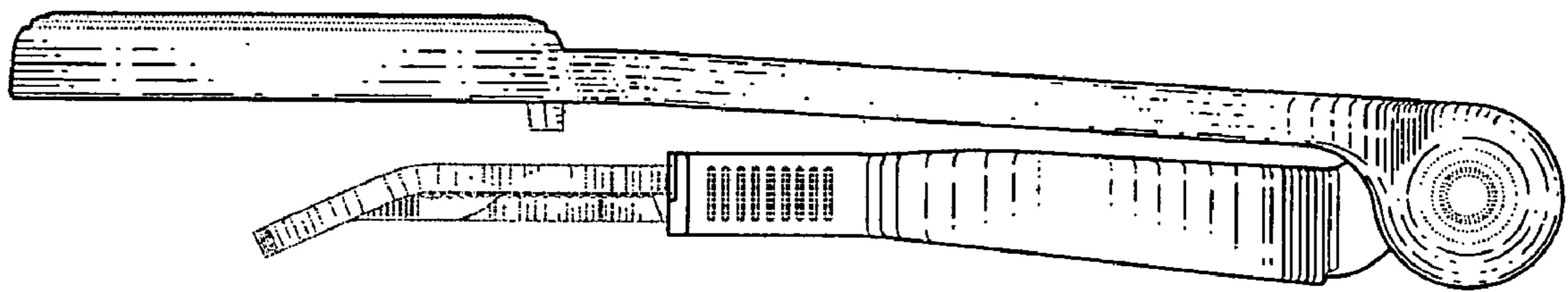
*FIG. 3*



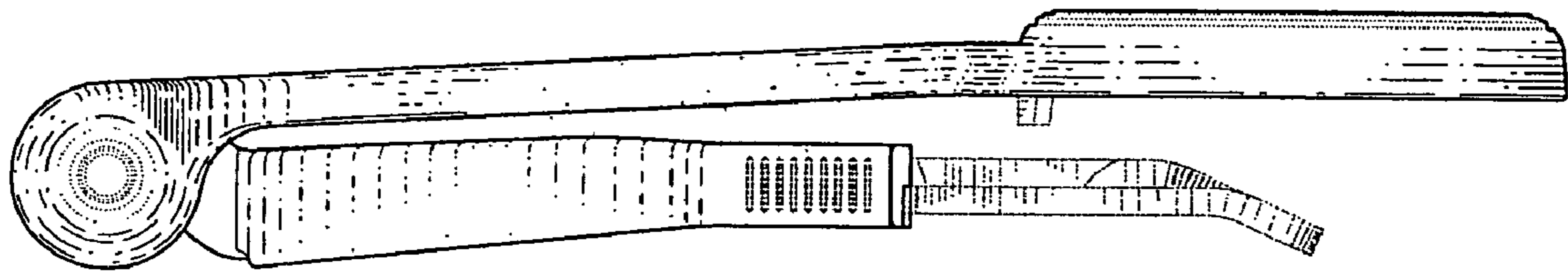
*FIG. 4*



*FIG. 5*



*FIG. 6*



*FIG. 7*

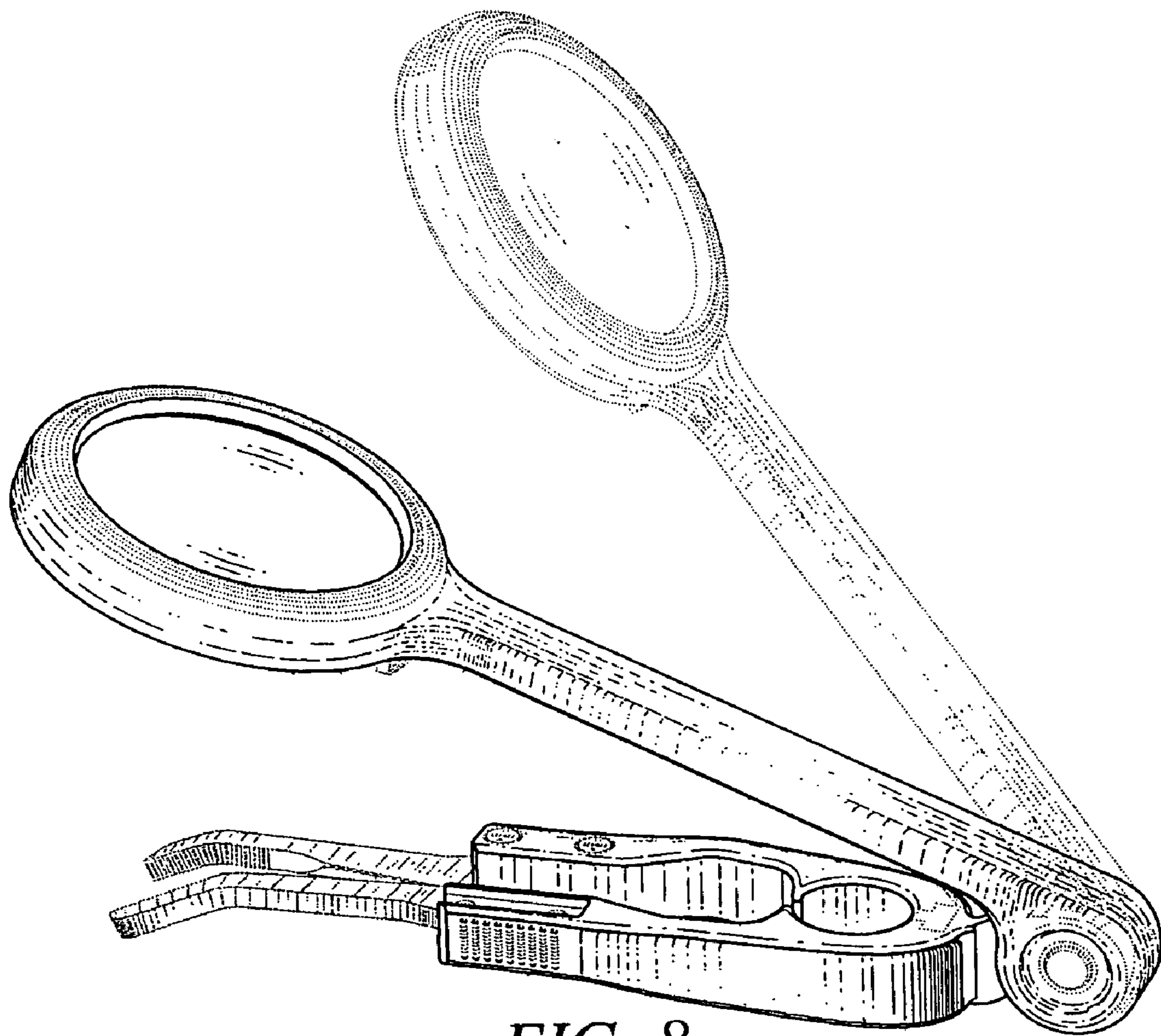


FIG. 8



UNITED STATES PATENT AND TRADEMARK OFFICE  
**CERTIFICATE OF CORRECTION**

PATENT NO. : Des. 565,618 S  
APPLICATION NO. : 29/270130  
DATED : April 1, 2008  
INVENTOR(S) : Gin Fai Yip and Bryan Yip

Page 1 of 1

It is certified that error appears in the above-identified patent and that said Letters Patent is hereby corrected as shown below:

Title page, item [54]  
In the Title change:  
Combination Magnifier and Housing --for-- Tweezer Arms

Signed and Sealed this

Seventeenth Day of June, 2008

A handwritten signature in black ink that reads "Jon W. Dudas". The signature is written in a cursive style with a large, looped initial "J".

JON W. DUDAS  
*Director of the United States Patent and Trademark Office*