



US00D565617S

(12) **United States Design Patent**
Chang et al.

(10) **Patent No.:** **US D565,617 S**

(45) **Date of Patent:** **** Apr. 1, 2008**

(54) **DIRECT DRIVE MOTOR**

(75) Inventors: **Chia-Ming Chang**, Taichung (TW);
Cheng-Han Tsai, Taichung (TW)

(73) Assignee: **Hiwin Mikrosystem Corp.**, Taichung
(TW)

(**) Term: **14 Years**

(21) Appl. No.: **29/249,636**

(22) Filed: **Oct. 14, 2006**

(51) **LOC (8) Cl.** **15-89**

(52) **U.S. Cl.** **D15/148; D15/5**

(58) **Field of Classification Search** D15/1-5,
D15/143, 148, 149, 199; 310/51, 67 R, 90;
384/619, 620

See application file for complete search history.

(56) **References Cited**

U.S. PATENT DOCUMENTS

4,853,567	A *	8/1989	Muramatsu et al.	310/67 R
D323,837	S *	2/1992	Johnson	D15/143
6,798,098	B1 *	9/2004	Tai	310/67 R
7,015,605	B1 *	3/2006	Peter et al.	310/51
7,265,464	B2 *	9/2007	Chen	310/68 B
7,300,209	B2 *	11/2007	Kim et al.	384/126
2005/0104462	A1 *	5/2005	Kwon et al.	310/86

2006/0055261	A1 *	3/2006	Walker	310/112
2006/0232154	A1 *	10/2006	Shkondin	310/148
2007/0090701	A1 *	4/2007	Down et al.	310/51
2007/0108851	A1 *	5/2007	Hashiba et al.	310/58
2007/0182264	A1 *	8/2007	Jun et al.	310/156.38
2007/0216250	A1 *	9/2007	Ahn	310/156.43

* cited by examiner

Primary Examiner—Sandra Snapp

Assistant Examiner—Patricia Palasik

(74) *Attorney, Agent, or Firm*—Banger Shia

(57) **CLAIM**

The ornamental design for a direct drive motor, as shown and described.

DESCRIPTION

FIG. 1 is a perspective view of a direct drive motor showing our new design;

FIG. 2 is a front elevational view thereof;

FIG. 3 is a rear elevational view thereof,

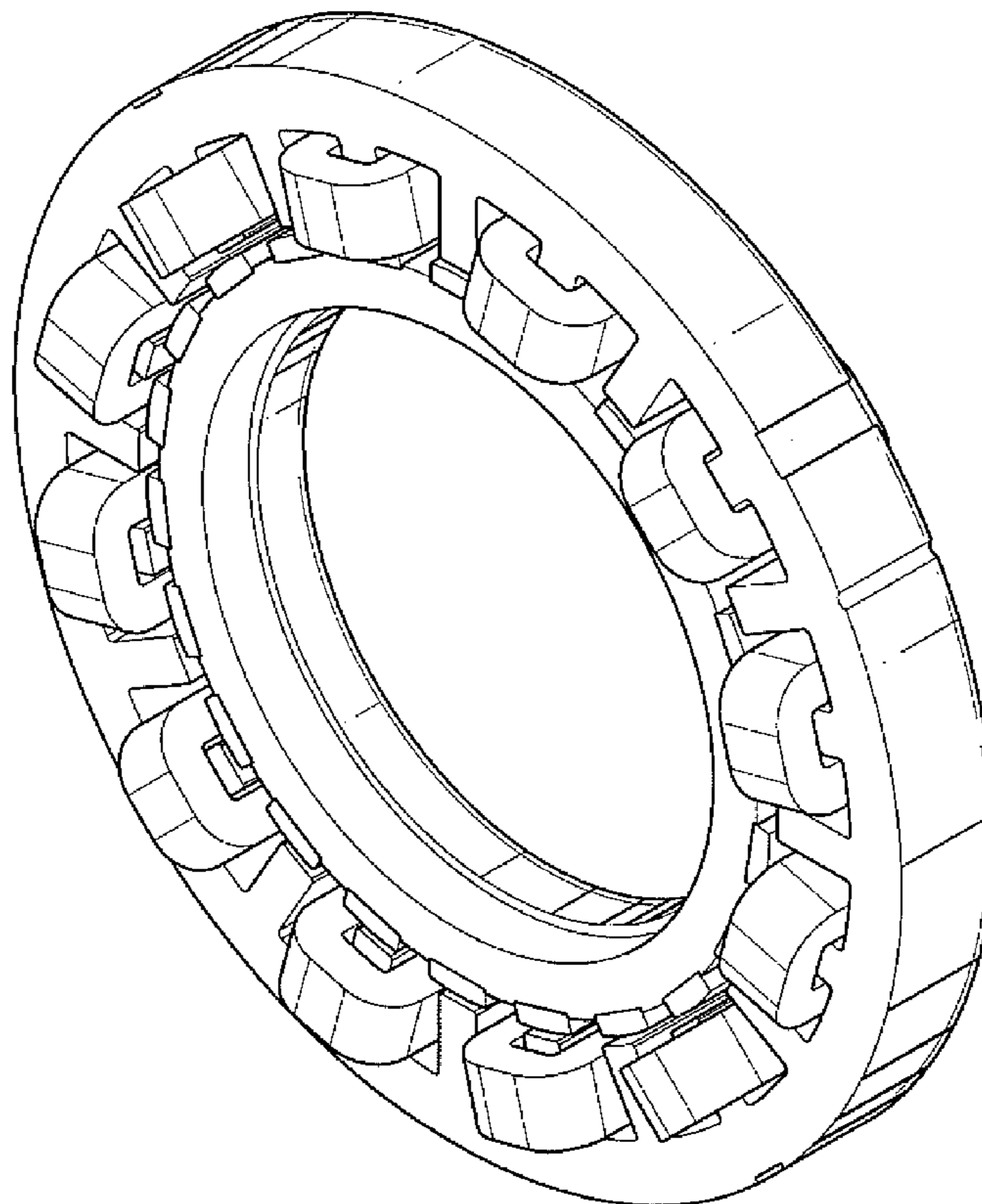
FIG. 4 is a left side elevational view thereof,

FIG. 5 is a right side elevational view thereof,

FIG. 6 is a top plan view thereof; and,

FIG. 7 is a bottom plan view to that shown.

1 Claim, 5 Drawing Sheets



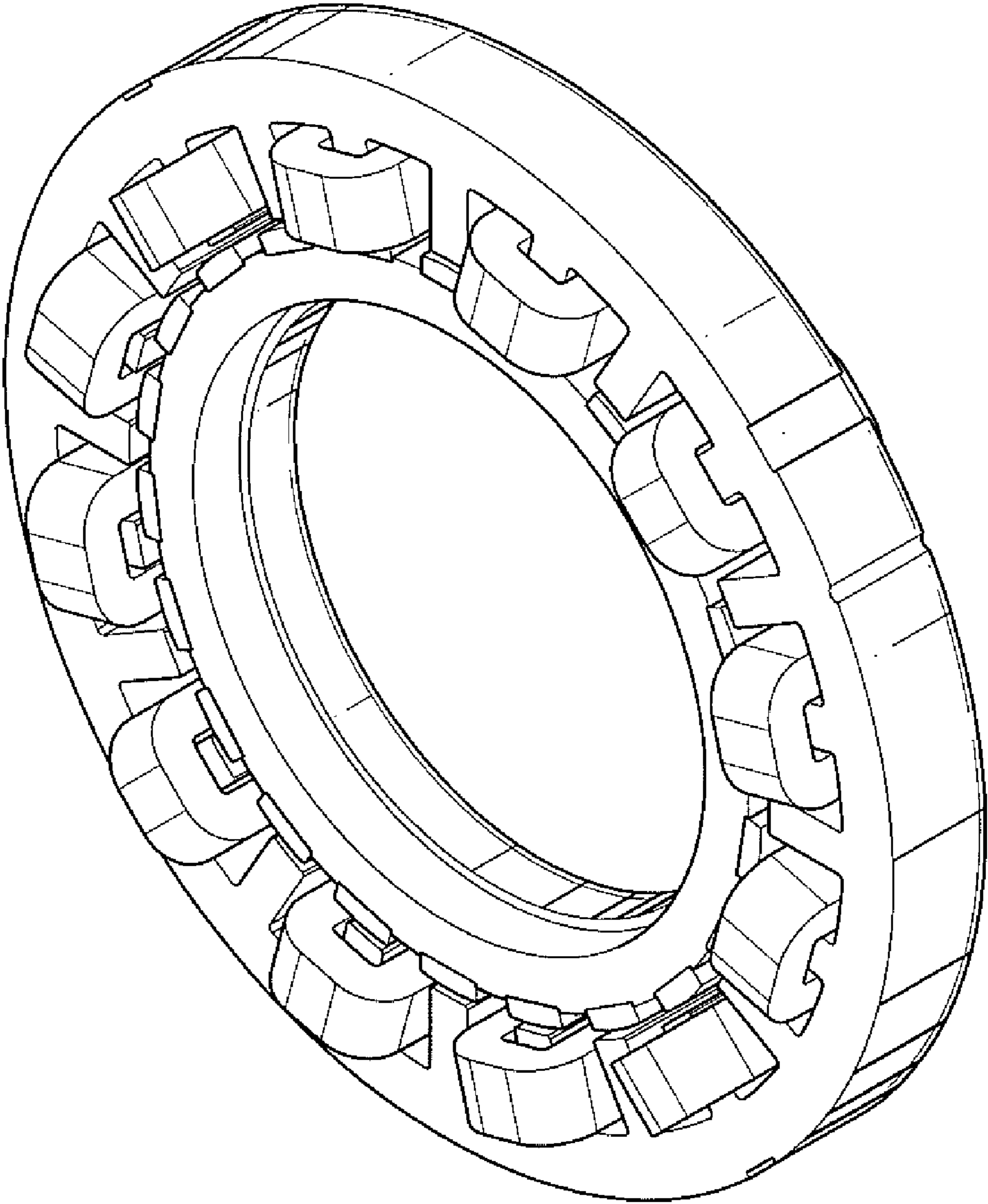


FIG. 1

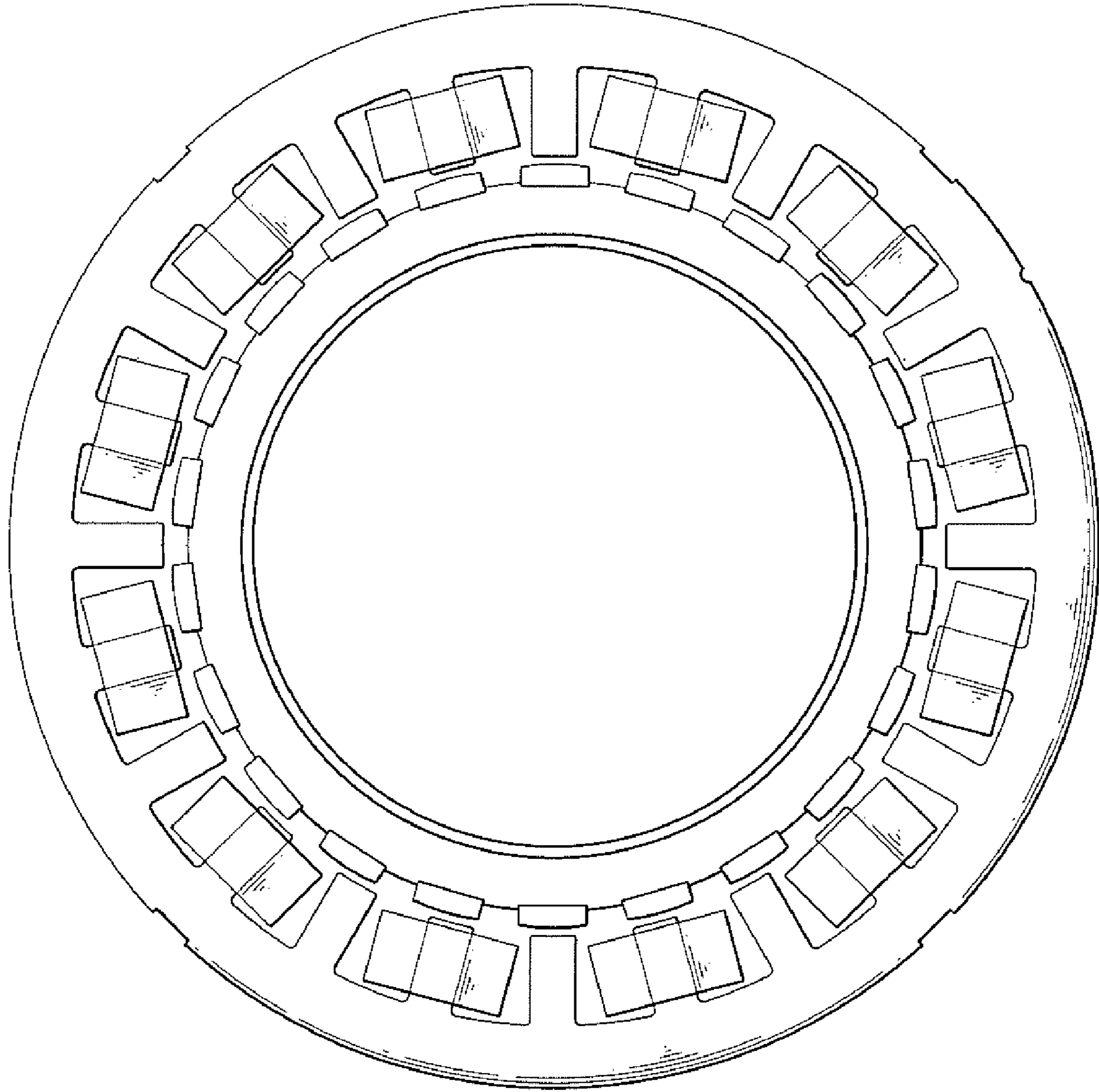


FIG. 2

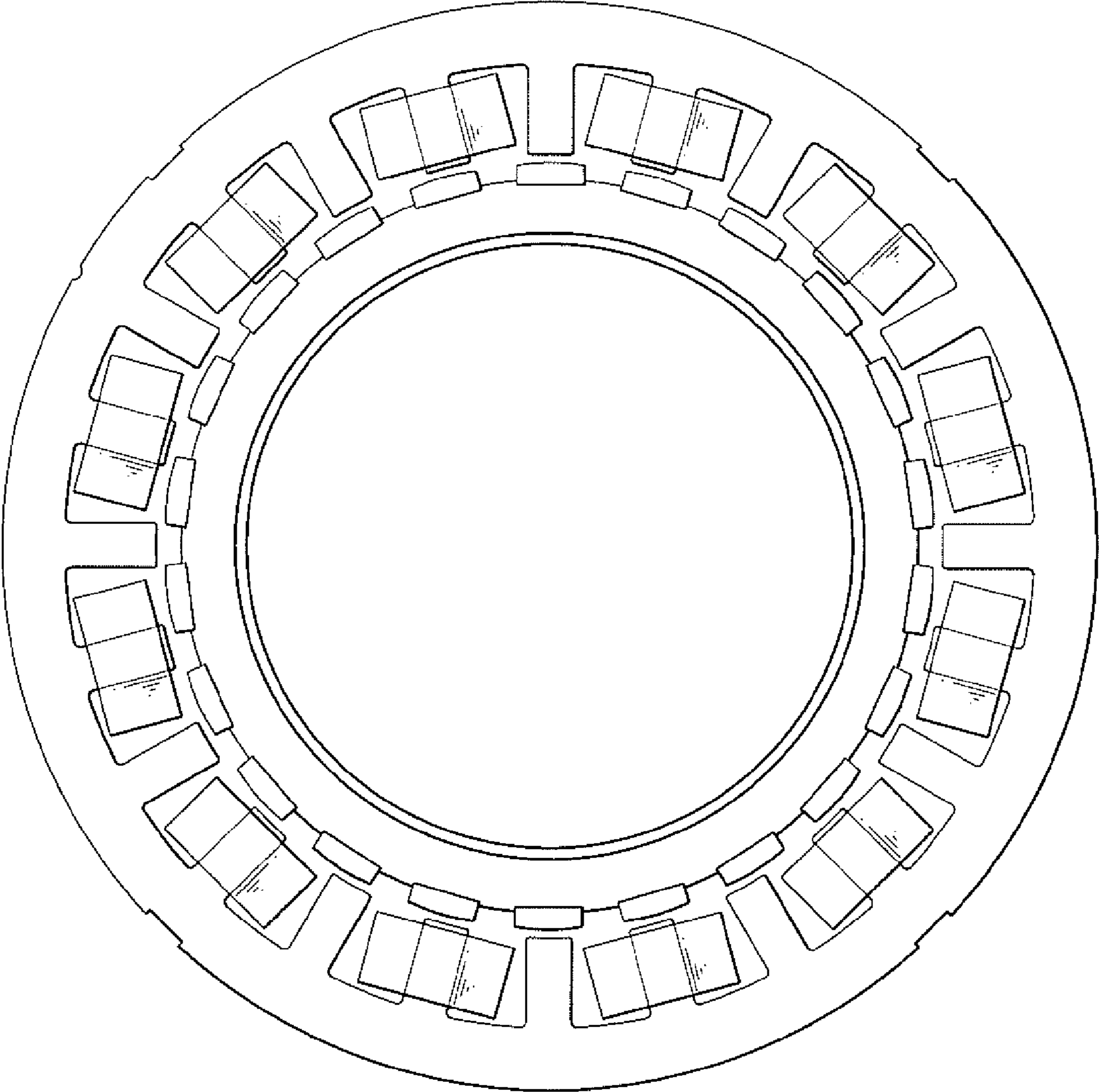


FIG. 3

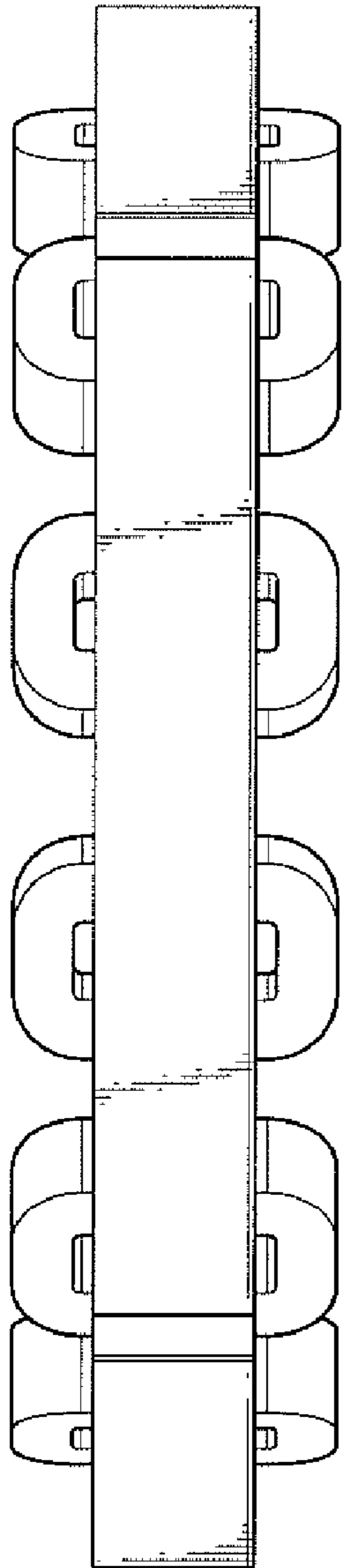


FIG. 4

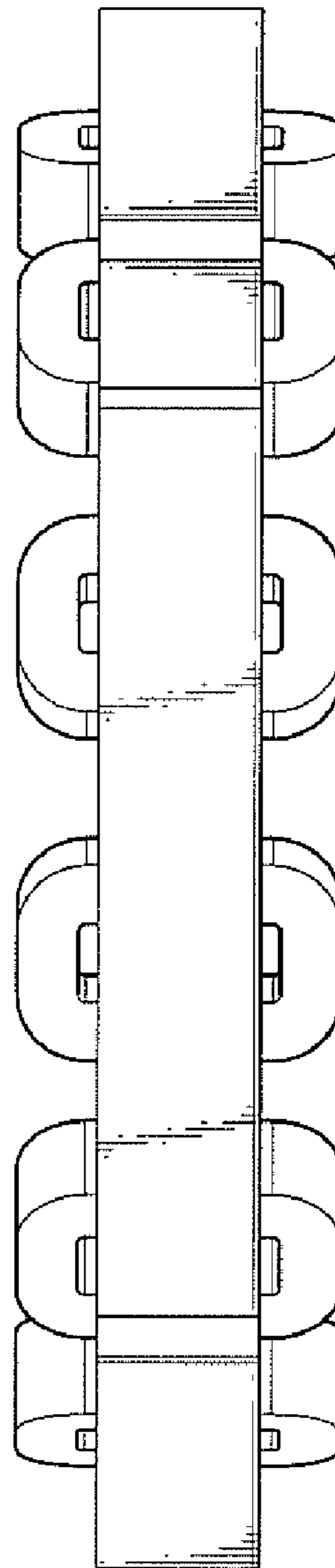


FIG. 5

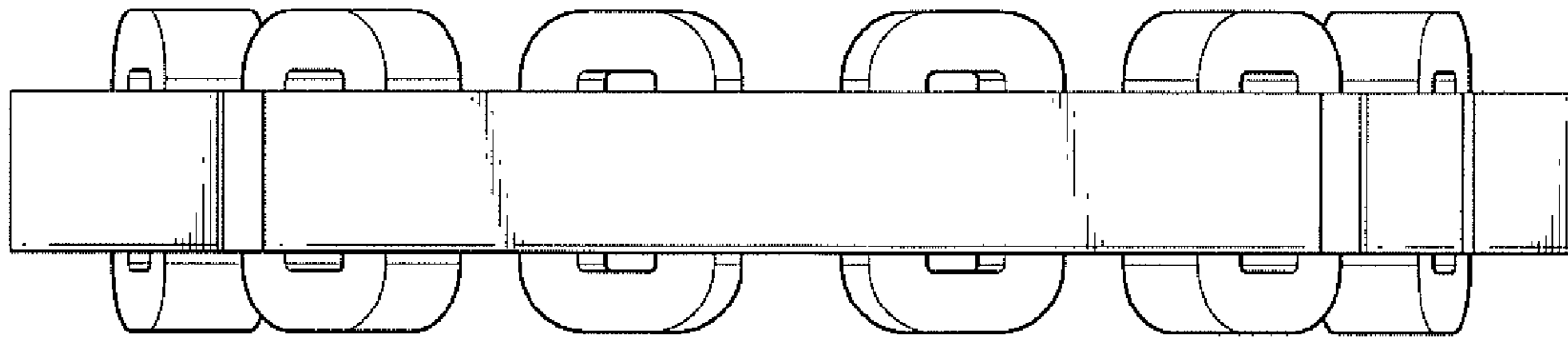


FIG. 6

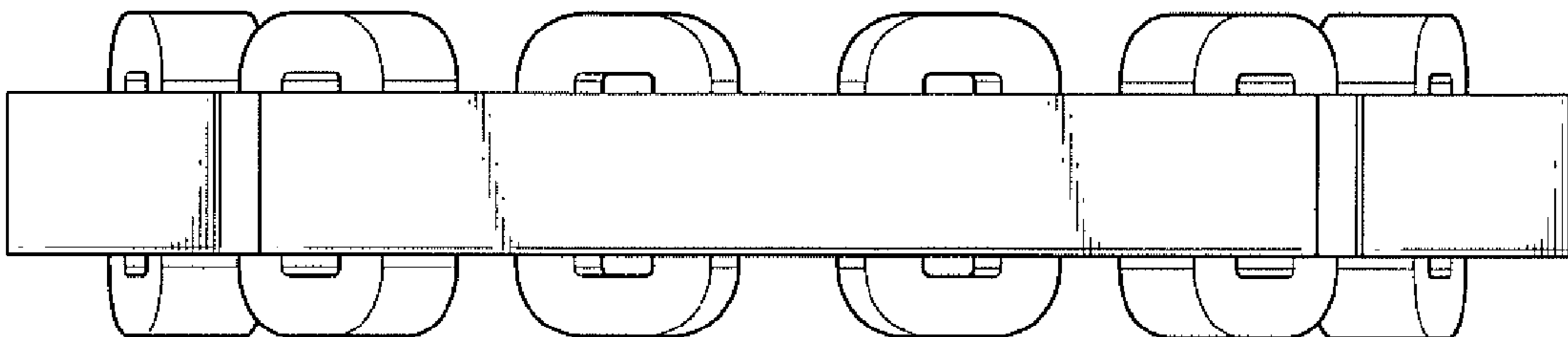


FIG. 7