

US00D565616S

(12) **United States Design Patent** (10) **Patent No.:** **US D565,616 S**
Schmitz et al. (45) **Date of Patent:** **** Apr. 1, 2008**

(54) **GRINDING AND IMPELLER CLIP FOR A COAL PULVERIZER**

5,289,978 A 3/1994 Lundquist
5,348,272 A 9/1994 Lukstas et al.

(75) Inventors: **William Schmitz**, Clymer, NY (US);
Craig A. Penterson, Sutton, MA (US);
Daniel P. Smith, Spencer, MA (US)

(Continued)

(73) Assignee: **Riley Power, Inc.**, Worcester, MA (US)

Primary Examiner—Sandra Snapp
Assistant Examiner—Patricia Palasik
(74) *Attorney, Agent, or Firm*—Edwards Angell Palmer & Dodge, LLP

(**) Term: **14 Years**

(57) **CLAIM**

(21) Appl. No.: **29/288,452**

The ornamental design for a grinding and impeller clip for a coal pulverizer, as shown and described in the attached specification.

(22) Filed: **Jun. 12, 2007**

Related U.S. Application Data

DESCRIPTION

(63) Continuation of application No. 11/702,437, filed on Feb. 5, 2007, now Pat. No. 7,311,281, which is a continuation of application No. 11/011,885, filed on Dec. 14, 2004, now Pat. No. 7,172,146.

FIG. 1 is a side elevation view of a grinding and impeller clip according to a first representative embodiment of the present invention.

(51) **LOC (8) Cl.** **15-09**

FIG. 2 is a front end view of the grinding and impeller clip shown in FIG. 1.

(52) **U.S. Cl.** **D15/139**

FIG. 3 is a perspective view of the grinding and impeller clip according to a second representative embodiment of the present invention.

(58) **Field of Classification Search** D15/126,
D15/138, 139; 209/139.1; 241/52, 56, 61,
241/80, 82, 188.1, 188.2, 190, 194, 197,
241/300; 251/214, 305; 277/399; 384/147,
384/207

FIG. 4 is a perspective view of the grinding and impeller clip shown in FIG. 1.

See application file for complete search history.

FIG. 5 is a perspective view of the grinding and impeller clip according to a third representative embodiment of the present invention.

(56) **References Cited**

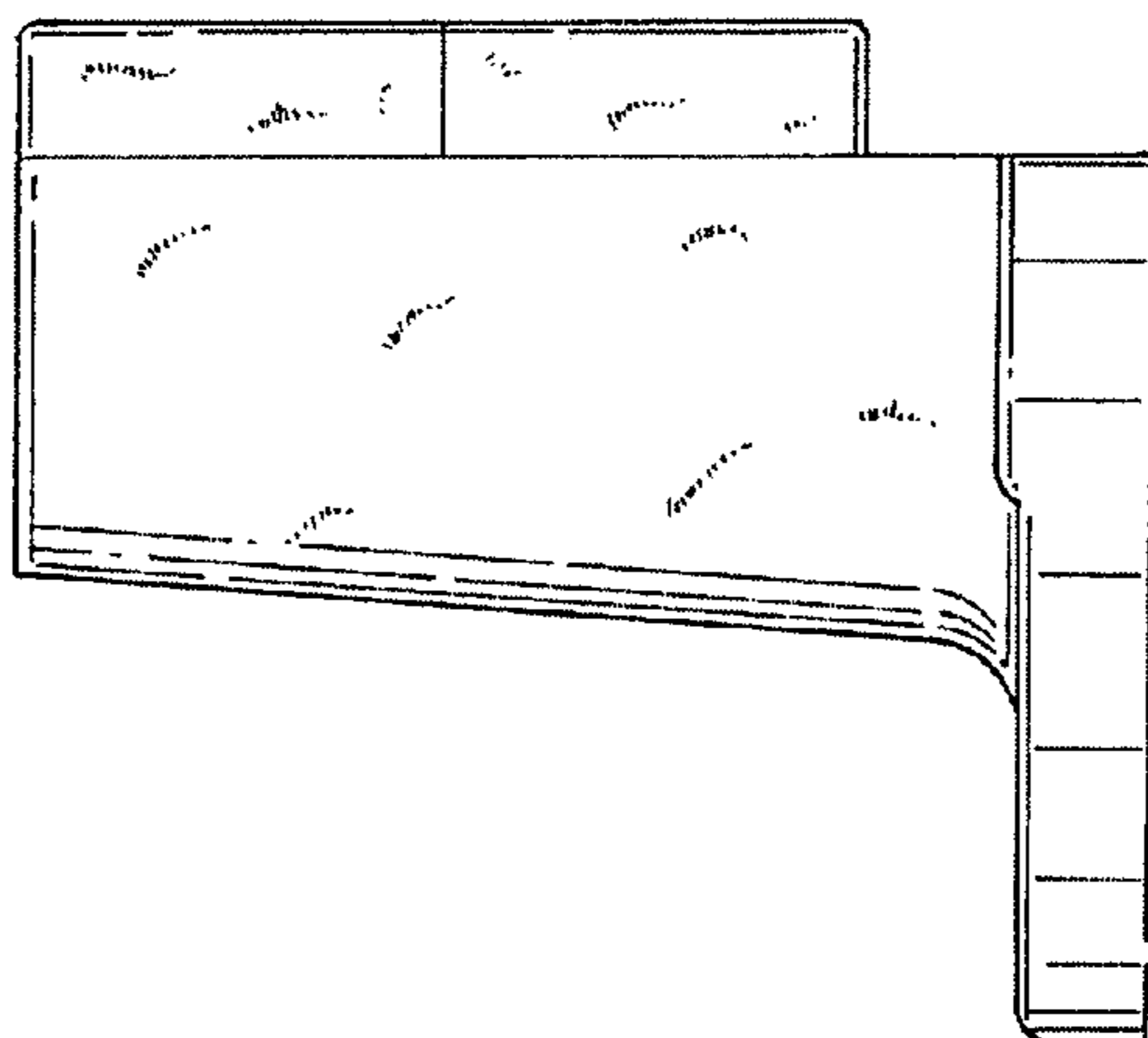
U.S. PATENT DOCUMENTS

FIG. 6 is a perspective view of the grinding and impeller clip shown in FIG. 5 seen from above. The broken lines are for illustrative purposes only to show the grinding and impeller clip mounted recessed in its environment and form no part of the claimed design; and,

- 1,628,609 A 5/1927 Newhouse
- 1,724,895 A 8/1929 Beach
- 2,625,332 A 1/1953 Rogers et al.
- 2,628,038 A 2/1953 Rogers et al.
- 2,639,863 A 5/1953 Rogers
- 3,050,018 A 8/1962 Pearson
- 3,092,337 A 6/1963 Patterson
- 4,061,281 A 12/1977 Gundlach et al.
- 4,424,938 A 1/1984 Day
- 4,485,975 A 12/1984 Eigner et al.
- 4,919,795 A 4/1990 Fujii et al.
- 5,025,930 A 6/1991 Barthelmess et al.

FIG. 7 is a perspective view of the grinding and impeller clip shown in FIG. 5 seen from below. The broken lines are for illustrative purposes only, to show the grinding and impeller clip mounted recessed in its environment, and form no part of the claimed design.

1 Claim, 3 Drawing Sheets



US D565,616 S

Page 2

U.S. PATENT DOCUMENTS							
				7,198,209	B2 *	4/2007	Herbst 241/30
				7,240,868	B2 *	7/2007	Lin et al. 241/79.1
5,560,550	A	10/1996	Krawczyk	2003/0141396	A1	7/2003	Whaley
5,597,127	A *	1/1997	Brown 241/188.2	2004/0056129	A1 *	3/2004	Doppstadt 241/194
5,938,045	A	8/1999	Makino et al.	2006/0124791	A1 *	6/2006	Schmitz et al. 241/188.1
6,027,057	A	2/2000	Miles et al.	2007/0200017	A1 *	8/2007	Schmitz et al. 241/188.2
6,443,376	B1	9/2002	Huang et al.				
6,644,479	B1	11/2003	Kimmeyer et al.				
7,172,146	B2 *	2/2007	Schmitz et al. 241/188.2				

* cited by examiner

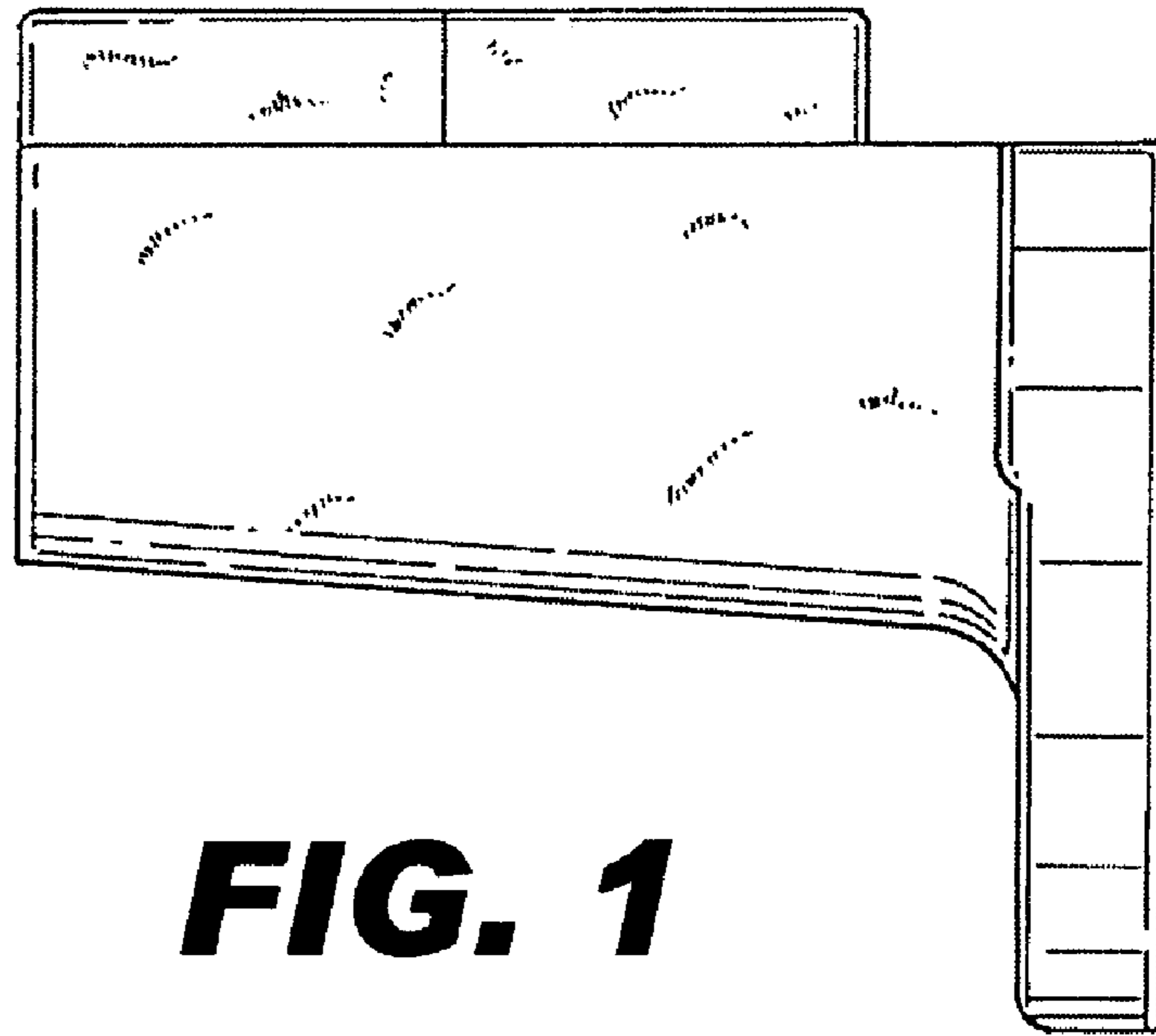


FIG. 1

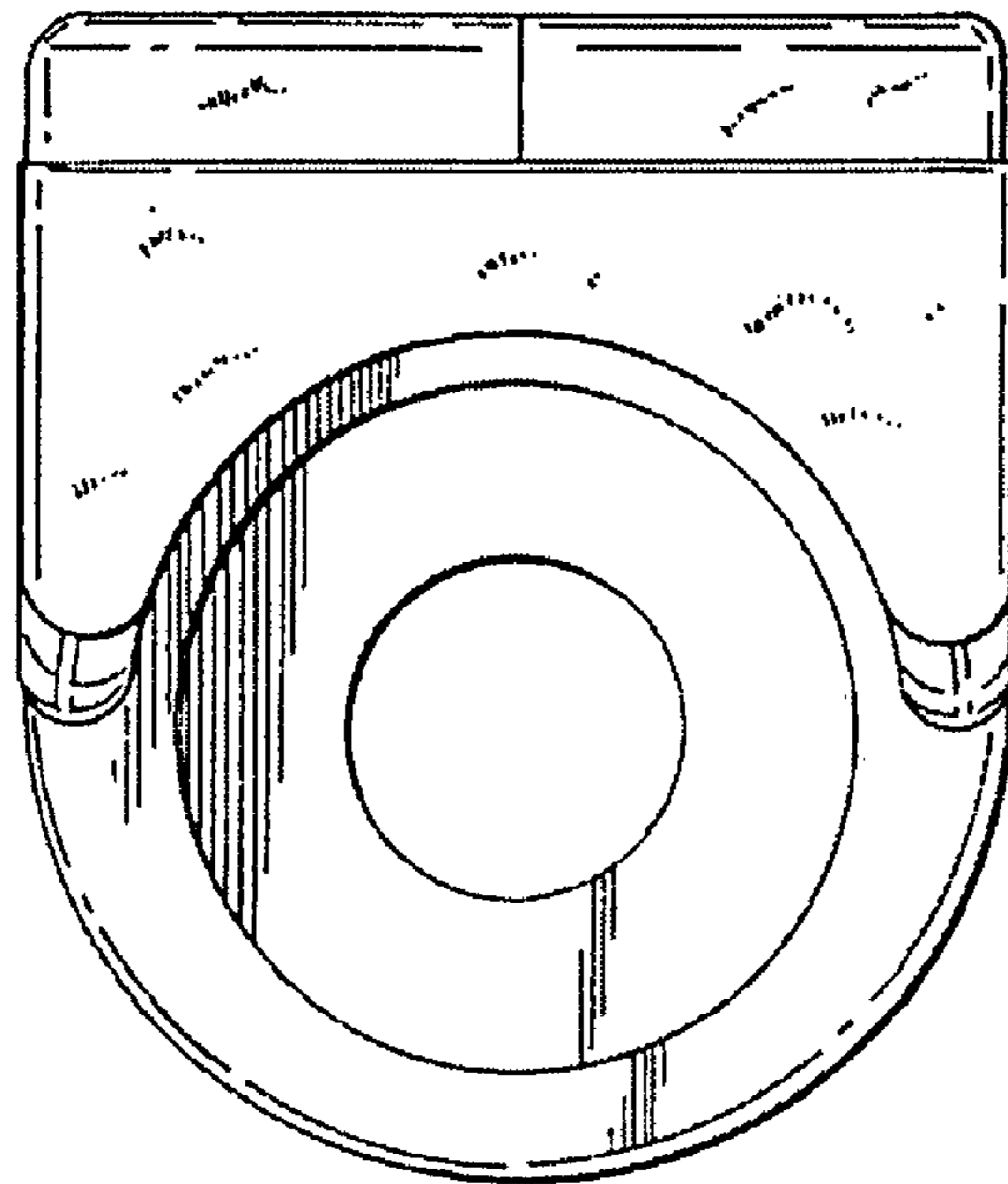


FIG. 2

FIG. 3

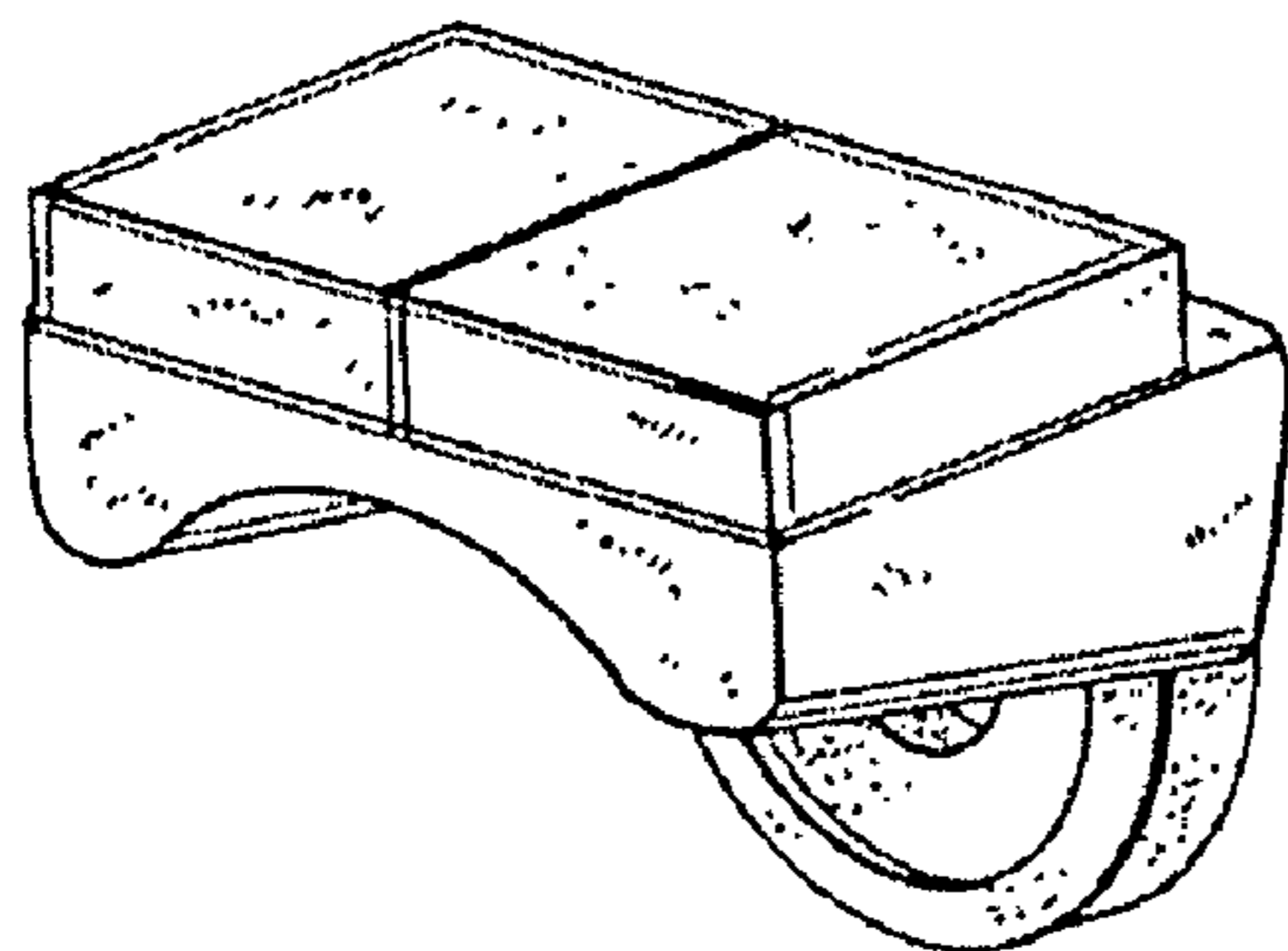


FIG. 4

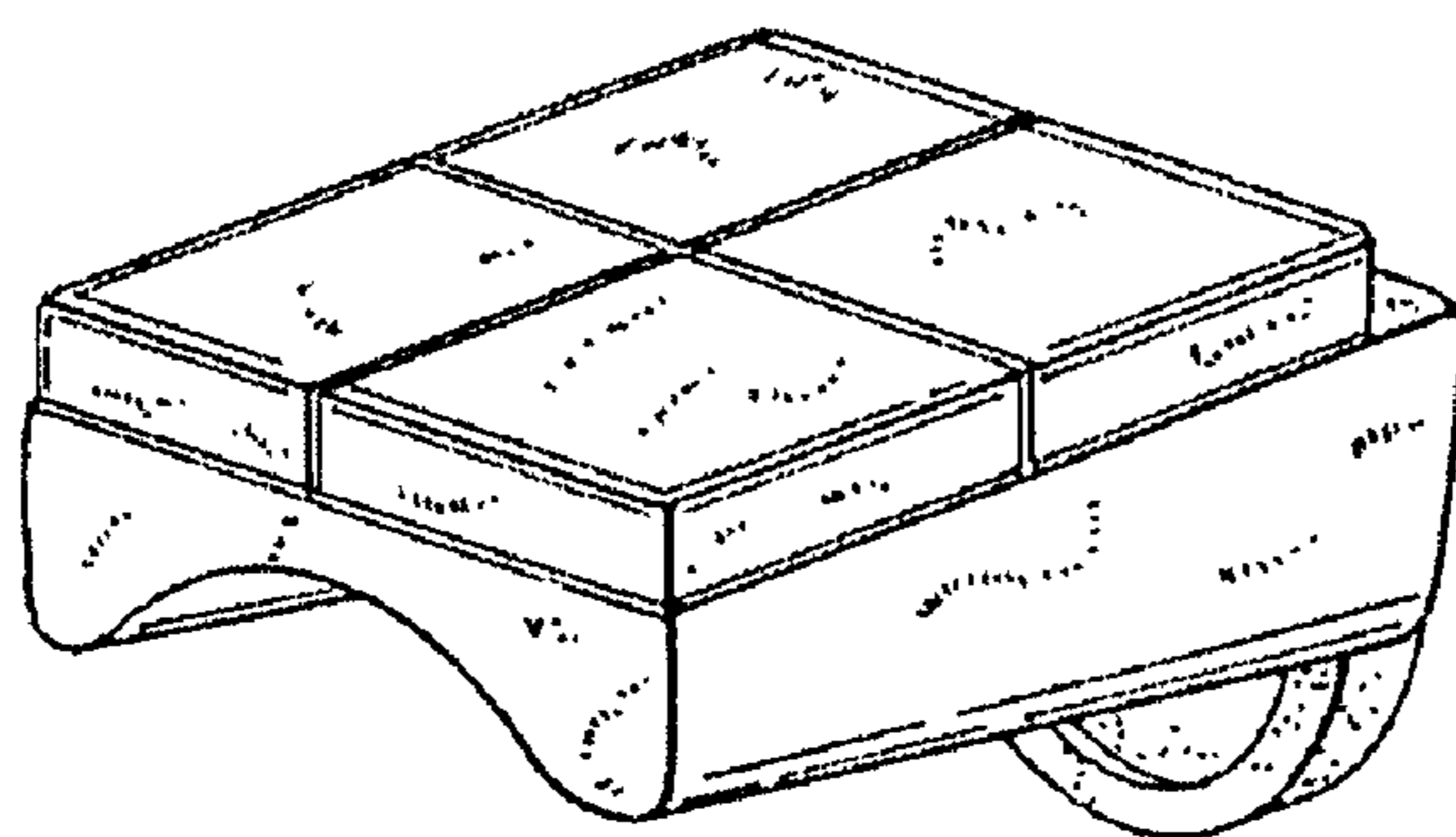
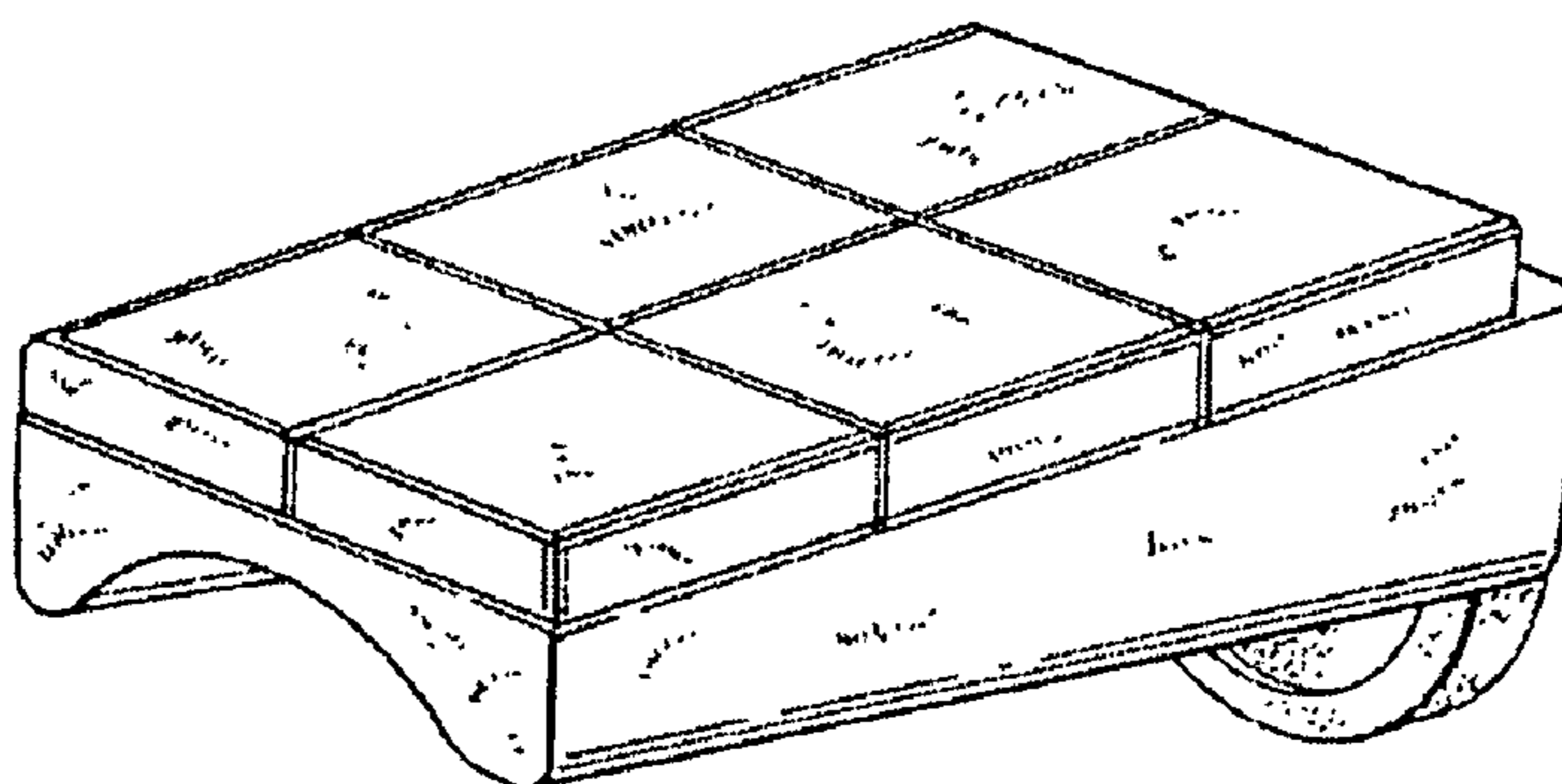


FIG. 5



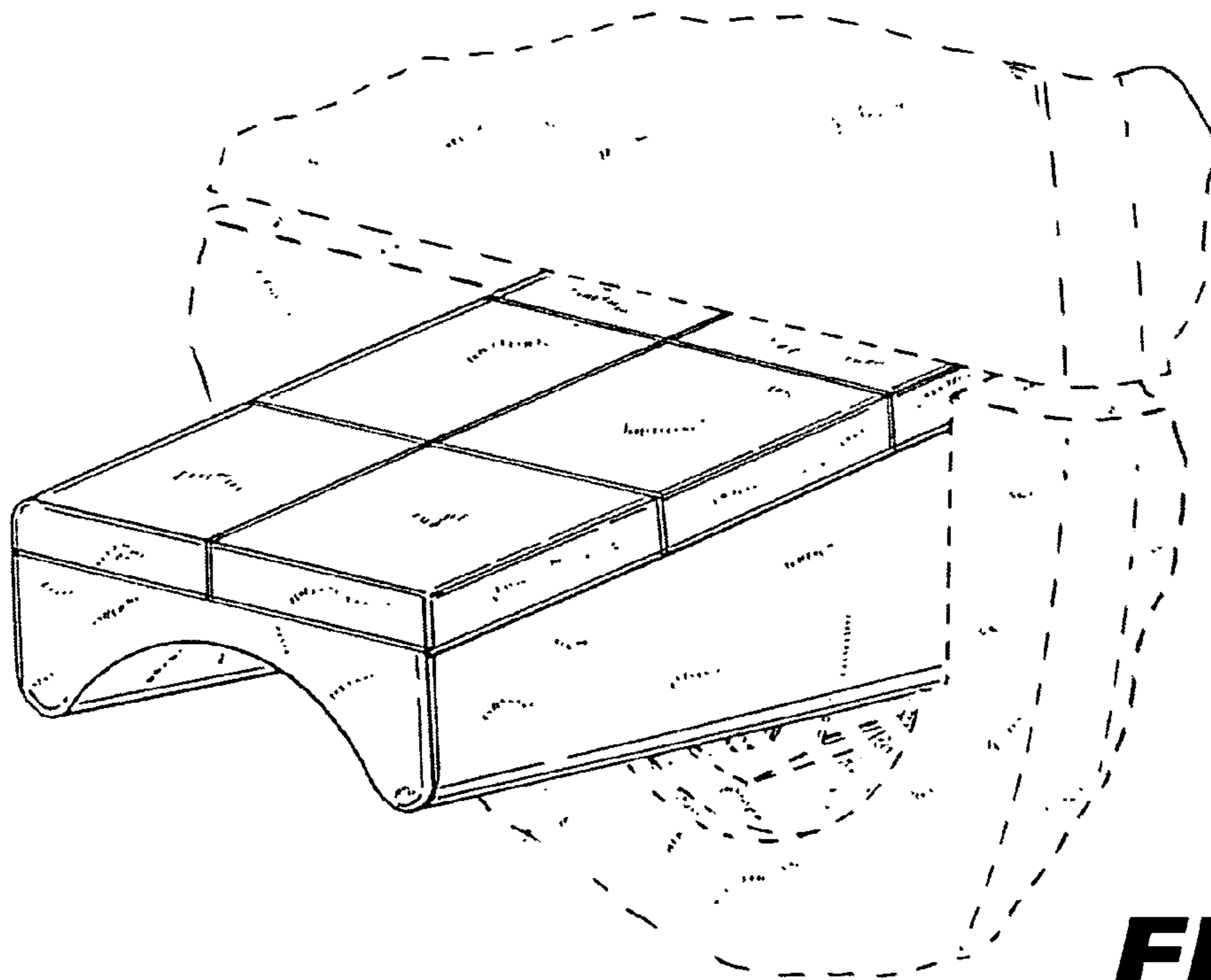


FIG. 6

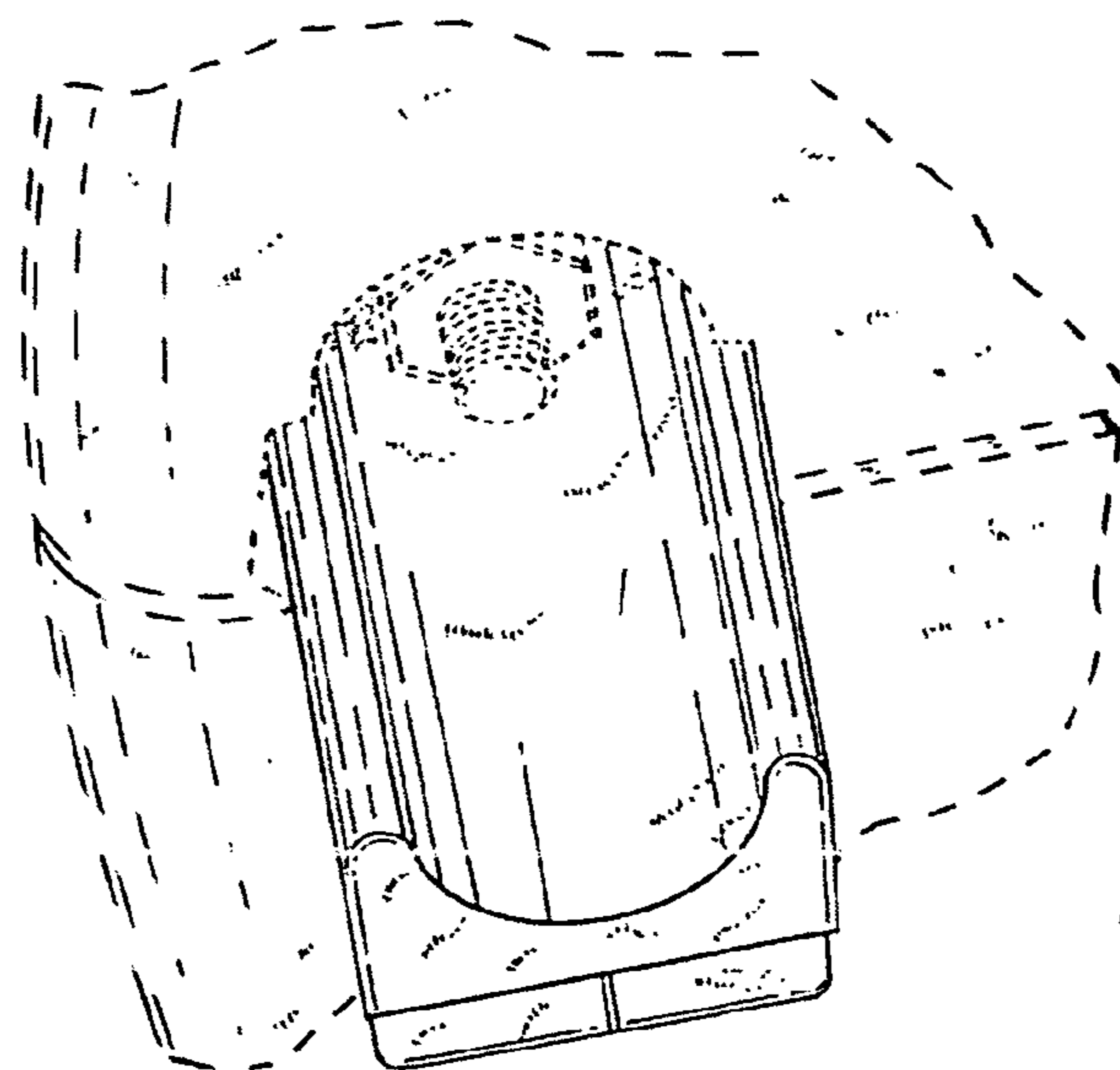


FIG. 7