

US00D565614S

(12) **United States Design Patent**  
**Pinchot**

(10) **Patent No.:** **US D565,614 S**

(45) **Date of Patent:** **\*\* \*Apr. 1, 2008**

(54) **EXTRUDER PLATE FOR GENERALLY TRIANGULAR SHAPED EXTRUDER INSERTS**

4,846,657 A \* 7/1989 Chao ..... 425/190  
D344,325 S \* 2/1994 Chalberg ..... D23/261  
D348,924 S \* 7/1994 Merrett ..... D23/261

(75) Inventor: **James M. Pinchot**, Parma, OH (US)

(Continued)

(73) Assignee: **JMP Industries, Inc.**, Parma, OH (US)

FOREIGN PATENT DOCUMENTS

(\* ) Notice: This patent is subject to a terminal disclaimer.

EP 556006-001/013 8/1993

(\*\*) Term: **14 Years**

(Continued)

(21) Appl. No.: **29/285,128**

OTHER PUBLICATIONS

(22) Filed: **Mar. 21, 2007**

U.S. Appl. No. 60/548,693, filed Feb. 27, 2004, Pinchot.

(51) **LOC (8) Cl.** ..... **15-09**

(Continued)

(52) **U.S. Cl.** ..... **D15/139**

(58) **Field of Classification Search** ..... D7/368,  
D7/387, 665, 672, 676, 677; D15/138, 139,  
D15/199; D21/398, 401, 444, 468, 483,  
D21/488, 501-503, 563, 680; 264/117.12,  
264/209.1, 209.8; 366/76.1, 149; 425/190,  
425/208, 380; D23/259-261  
See application file for complete search history.

*Primary Examiner*—Sandra Snapp  
*Assistant Examiner*—Patricia Palasik  
(74) *Attorney, Agent, or Firm*—Fay Sharpe LLP; Brian E. Turung

(57) **CLAIM**

The ornamental design for an extruder plate for generally triangular shaped extruder inserts, as shown and described.

(56) **References Cited**

**DESCRIPTION**

U.S. PATENT DOCUMENTS

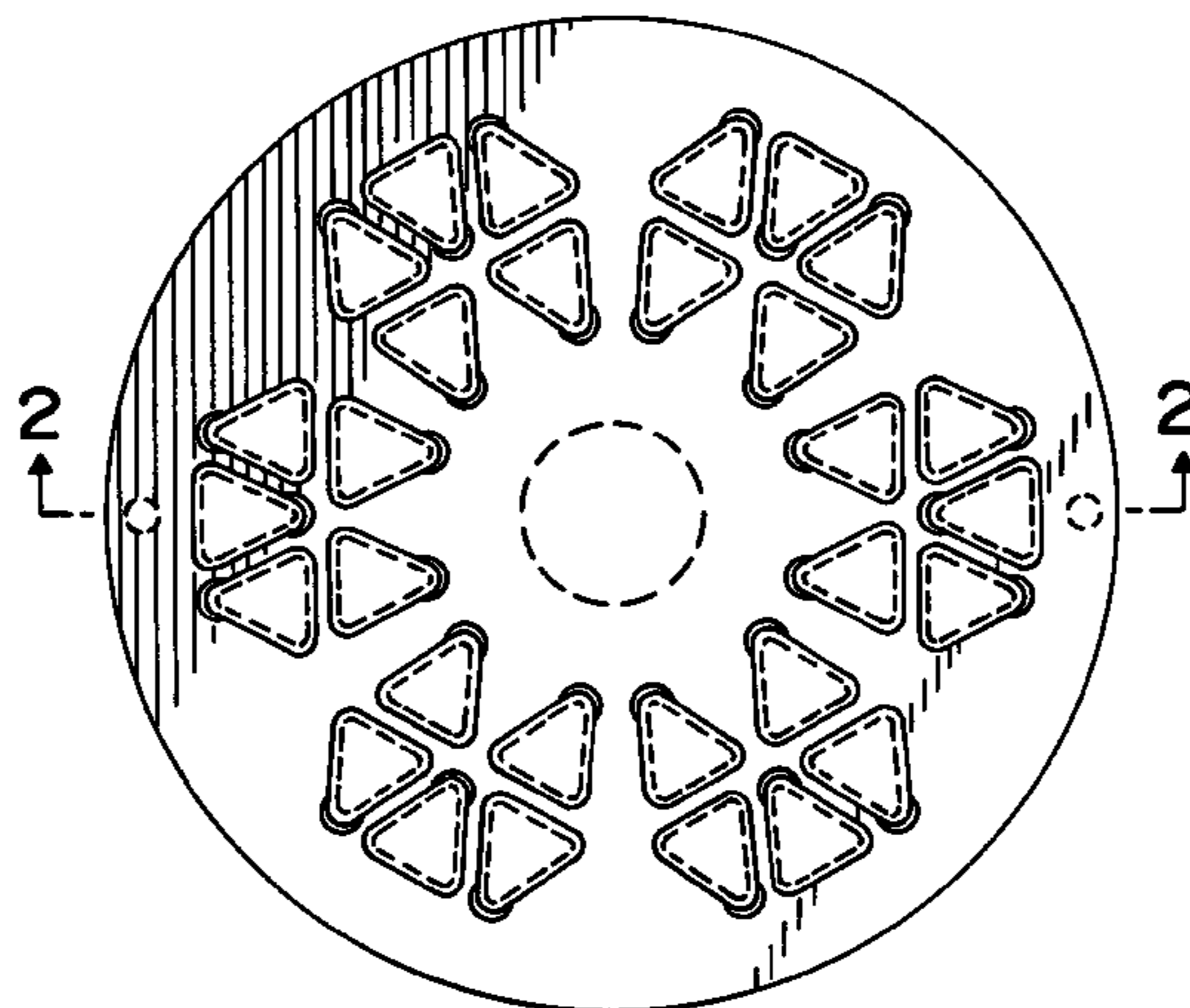
3,303,247 A \* 2/1967 Carter et al. .... 264/209.8  
3,412,694 A \* 11/1968 Hewett et al. .... 425/380  
3,690,806 A \* 9/1972 Kovacs ..... 425/380  
3,790,654 A \* 2/1974 Bagley ..... 264/209.1  
3,911,070 A \* 10/1975 Lundsager ..... 264/209.1  
3,933,965 A \* 1/1976 Gallone et al. .... 264/209.1  
D253,145 S \* 10/1979 Adam ..... D23/261  
D253,146 S \* 10/1979 Adam ..... D23/261  
4,293,357 A 10/1981 Higuchi et al.  
4,354,820 A \* 10/1982 Yamamoto et al. .... 264/209.8  
D290,166 S \* 6/1987 Jacuzzi ..... D23/261  
4,738,735 A 4/1988 Joncker et al.  
4,747,986 A \* 5/1988 Chao ..... 264/209.8  
4,767,309 A \* 8/1988 Mizuno et al. .... 264/209.1  
D299,522 S \* 1/1989 Chalberg ..... D23/261  
4,812,276 A \* 3/1989 Chao ..... 264/209.8

FIG. 1 is a top plan view of an extruder plate for generally triangular shaped extruder inserts showing my new design; FIG. 2 is a cross-sectional view along line 2—2 of FIG. 1; and,

FIG. 3 is an enlarged view of one triangular die insert opening.

The broken line showing of the extruder plate for generally triangular shaped extruder inserts is included for the purpose of illustrating portions of the extruder plate for generally triangular shaped extruder inserts and forms no part of the claimed design. The broken diagonal lines indicate the section portion.

**1 Claim, 1 Drawing Sheet**



# US D565,614 S

Page 2

## U.S. PATENT DOCUMENTS

5,882,782 A 3/1999 Tsubone  
5,938,992 A 8/1999 Hamanaka et al.  
5,972,254 A 10/1999 Sander  
D419,652 S \* 1/2000 Hall et al. .... D23/259  
6,045,764 A 4/2000 Iizuka et al.  
6,156,698 A 12/2000 Iida et al.  
6,162,524 A 12/2000 Patchett et al.  
6,206,675 B1 3/2001 BeVier  
D442,612 S 5/2001 Pinchot  
D444,487 S 7/2001 Pinchot  
D446,794 S 8/2001 Pinchot  
D450,732 S 11/2001 Pinchot  
D452,257 S 12/2001 Pinchot  
6,345,972 B1 \* 2/2002 Guillemette ..... 425/380  
6,413,595 B1 \* 7/2002 Schirmer ..... 264/172.15  
D463,851 S \* 10/2002 Eastman ..... D23/260  
D469,116 S 1/2003 Pinchot  
D469,117 S 1/2003 Pinchot  
D469,452 S 1/2003 Pinchot  
D469,453 S 1/2003 Pinchot  
D469,454 S 1/2003 Pinchot  
D470,869 S 2/2003 Pinchot  
D470,870 S 2/2003 Pinchot  
D472,252 S 3/2003 Pinchot  
D485,286 S 1/2004 Pinchot  
D494,198 S 8/2004 Pinchot  
D496,377 S 9/2004 Pinchot  
D497,376 S 10/2004 Pinchot  
D523,452 S 6/2006 Pinchot  
D531,197 S 10/2006 Pinchot  
D534,562 S 1/2007 Pinchot  
2001/0008642 A1 7/2001 Meyer  
2004/0022886 A1 2/2004 Sagar

## FOREIGN PATENT DOCUMENTS

EP 000556022 8/1993  
EP 556022-01/04 8/1993  
EP 556030-01/04 8/1993  
WO PCT/US06/005731 2/2006  
WO PCT/US07/000300 1/2007

## OTHER PUBLICATIONS

U.S. Appl. No. 11/062,220, filed Feb. 18, 2005, Pinchot.  
U.S. Appl. No. 29/242,613, filed Nov. 10, 2005, Pinchot.

U.S. Appl. No. 29/242,779, filed Nov. 15, 2005, Pinchot.  
U.S. Appl. No. 29/242,881, filed Nov. 15, 2005, Pinchot.  
U.S. Appl. No. 29/263,182, filed Jul. 14, 2006, Pinchot.  
U.S. Appl. No. 29/263,183, filed Jul. 14, 2006, Pinchot.  
U.S. Appl. No. 29/263,184, filed Jul. 14, 2006, Pinchot.  
U.S. Appl. No. 29/263,185, filed Jul. 14, 2006, Pinchot.  
U.S. Appl. No. 29/263,364, filed Jul. 14, 2006, Pinchot.  
U.S. Appl. No. 11/651,063, filed Jan. 8, 2007, Pinchot.  
U.S. Appl. No. 29/272,847, filed Feb. 20, 2007, Pinchot.  
U.S. Appl. No. 29/285,075, filed Mar. 21, 2007, Pinchot.  
U.S. Appl. No. 29/285,076, filed Mar. 21, 2007, Pinchot.  
U.S. Appl. No. 29/285,077, filed Mar. 21, 2007, Pinchot.  
U.S. Appl. No. 29/285,078, filed Mar. 21, 2007, Pinchot.  
U.S. Appl. No. 29/285,079, filed Mar. 21, 2007, Pinchot.  
U.S. Appl. No. 29/285,080, filed Mar. 21, 2007, Pinchot.  
U.S. Appl. No. 29/285,081, filed Mar. 21, 2007, Pinchot.  
U.S. Appl. No. 29/285,082, filed Mar. 21, 2007, Pinchot.  
U.S. Appl. No. 29/285,083, filed Mar. 21, 2007, Pinchot.  
U.S. Appl. No. 29/285,084, filed Mar. 21, 2007, Pinchot.  
U.S. Appl. No. 29/295,092, filed Mar. 21, 2007, Pinchot.  
U.S. Appl. No. 29/285,094, filed Mar. 21, 2007, Pinchot.  
U.S. Appl. No. 29/285,095, filed Mar. 21, 2007, Pinchot.  
U.S. Appl. No. 29/285,096, filed Mar. 21, 2007, Pinchot.  
U.S. Appl. No. 29/285,098, filed Mar. 21, 2007, Pinchot.  
U.S. Appl. No. 29/285,099, filed Mar. 21, 2007, Pinchot.  
U.S. Appl. No. 29/285,100, filed Mar. 21, 2007, Pinchot.  
U.S. Appl. No. 29/285,108, filed Mar. 21, 2007, Pinchot.  
U.S. Appl. No. 29/285,101, filed Mar. 21, 2007, Pinchot.  
U.S. Appl. No. 29/285,109, filed Mar. 21, 2007, Pinchot.  
U.S. Appl. No. 29/285,110, filed Mar. 21, 2007, Pinchot.  
U.S. Appl. No. 29/285,111, filed Mar. 21, 2007, Pinchot.  
U.S. Appl. No. 29/285,112, filed Mar. 21, 2007, Pinchot.  
U.S. Appl. No. 29/285,115, filed Mar. 21, 2007, Pinchot.  
U.S. Appl. No. 29/285,116, filed Mar. 21, 2007, Pinchot.  
U.S. Appl. No. 29/285,127, filed Mar. 21, 2007, Pinchot.  
U.S. Appl. No. 29/285,128, filed Mar. 21, 2007, Pinchot.  
U.S. Appl. No. 29/285,130, filed Mar. 21, 2007, Pinchot.  
U.S. Appl. No. 29/285,131, filed Mar. 21, 2007, Pinchot.

\* cited by examiner

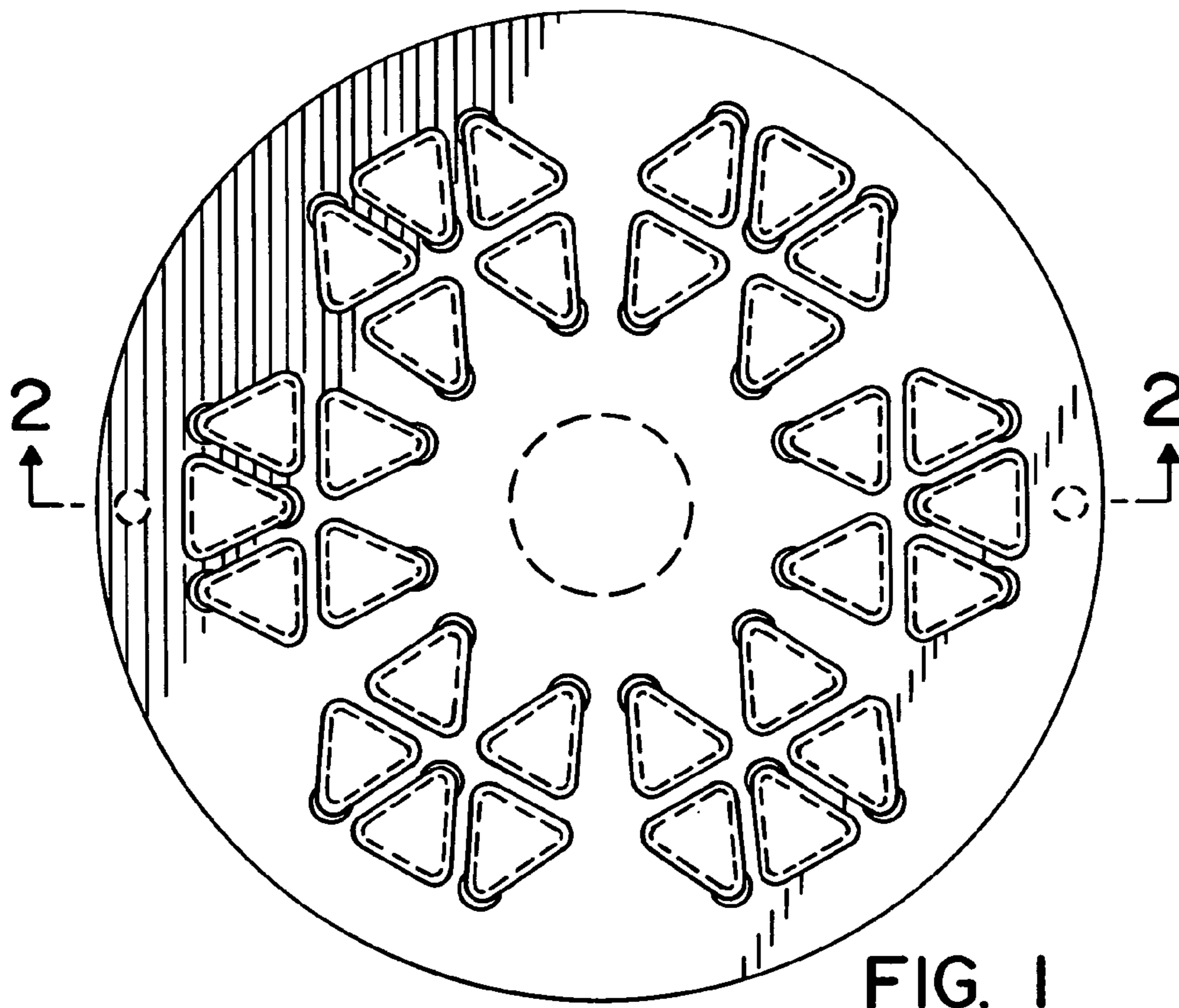


FIG. 1

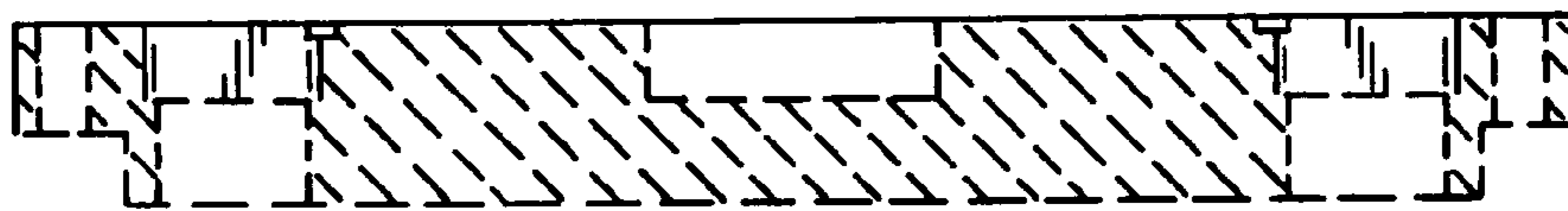


FIG. 2

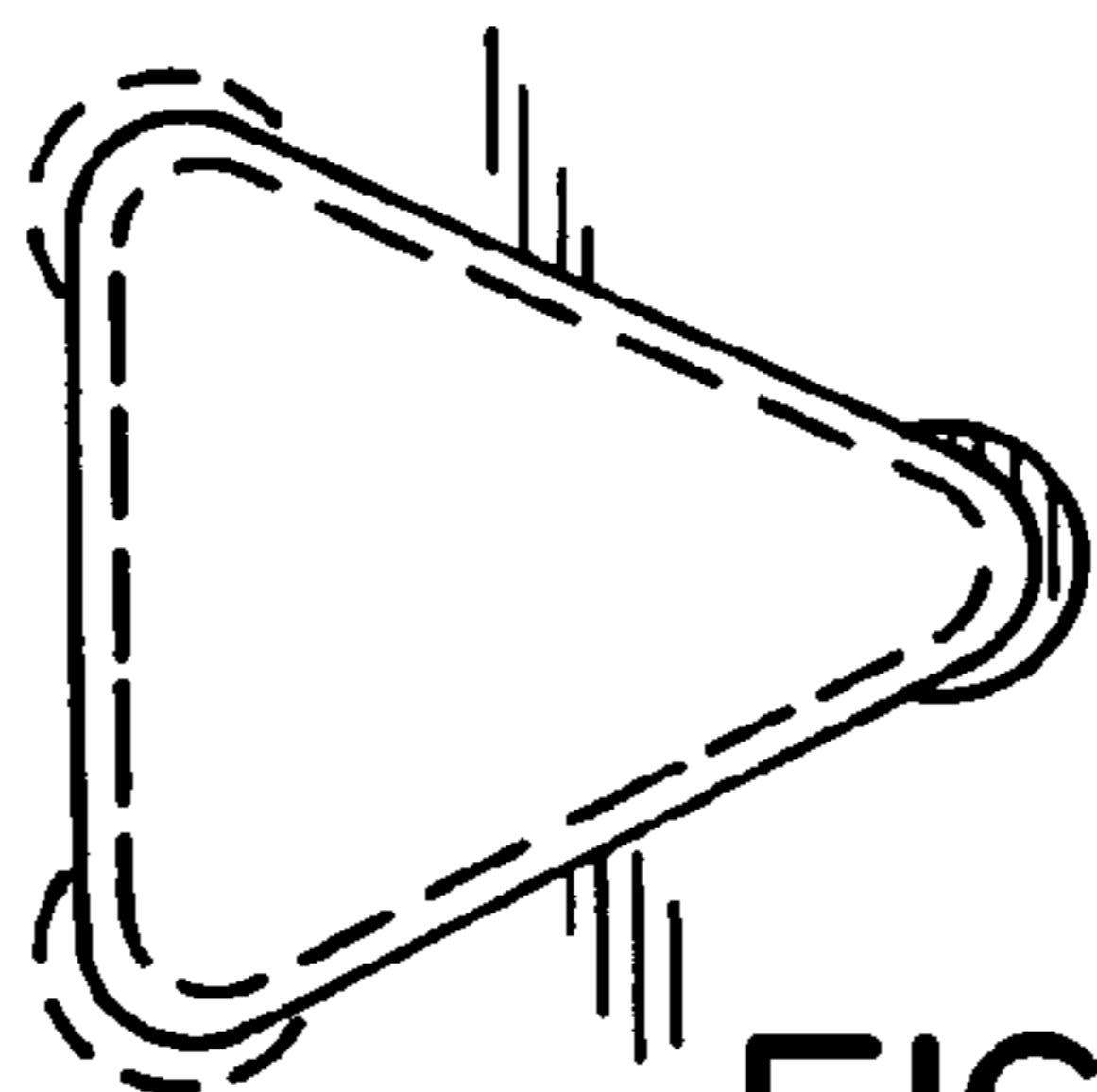


FIG. 3