

US00D565609S

(12) **United States Design Patent**
Willibald

(10) **Patent No.:** **US D565,609 S**
(45) **Date of Patent:** **** Apr. 1, 2008**

(54) **CUTTING BODY**

(75) Inventor: **Artur Willibald**, Uberlingen (DE)

(73) Assignee: **AWHI Maschinenbau GmbH** (DE)

(**) Term: **14 Years**

(21) Appl. No.: **29/284,725**

(22) Filed: **Sep. 14, 2007**

Related U.S. Application Data

(62) Division of application No. 29/269,825, filed on Dec. 8, 2006, now Pat. No. Des. 556,797.

(51) **LOC (8) Cl.** **15-09**

(52) **U.S. Cl.** **D15/139**

(58) **Field of Classification Search** D15/122,
D15/123, 124, 131, 138, 139, 140, 141; 241/73,
241/74, 189.1, 193-197, 294, 300; 407/112-119
See application file for complete search history.

(56) **References Cited**

U.S. PATENT DOCUMENTS

D281,432 S 11/1985 Tuomaala
5,439,327 A 8/1995 Wertheim
5,513,485 A 5/1996 Hashimoto et al.

5,623,979 A 4/1997 Bowling
2004/0177892 A1 9/2004 Crittenden et al.
2007/0194161 A1* 8/2007 Doppstadt et al. 241/294
2007/0258779 A1* 11/2007 Lundvall 407/113

* cited by examiner

Primary Examiner—Antoine D. Davis
Assistant Examiner—Patricia Palasik
(74) *Attorney, Agent, or Firm*—Bachman & LaPointe, P.C.

(57) **CLAIM**

The ornamental design for a cutting body, as shown.

DESCRIPTION

FIG. 1 is a perspective plan view of an alternate embodiment according to the invention;

FIG. 2 is a perspective bottom view of the embodiment of FIG. 1;

FIG. 3 is a plan view of the embodiment of FIG. 1;

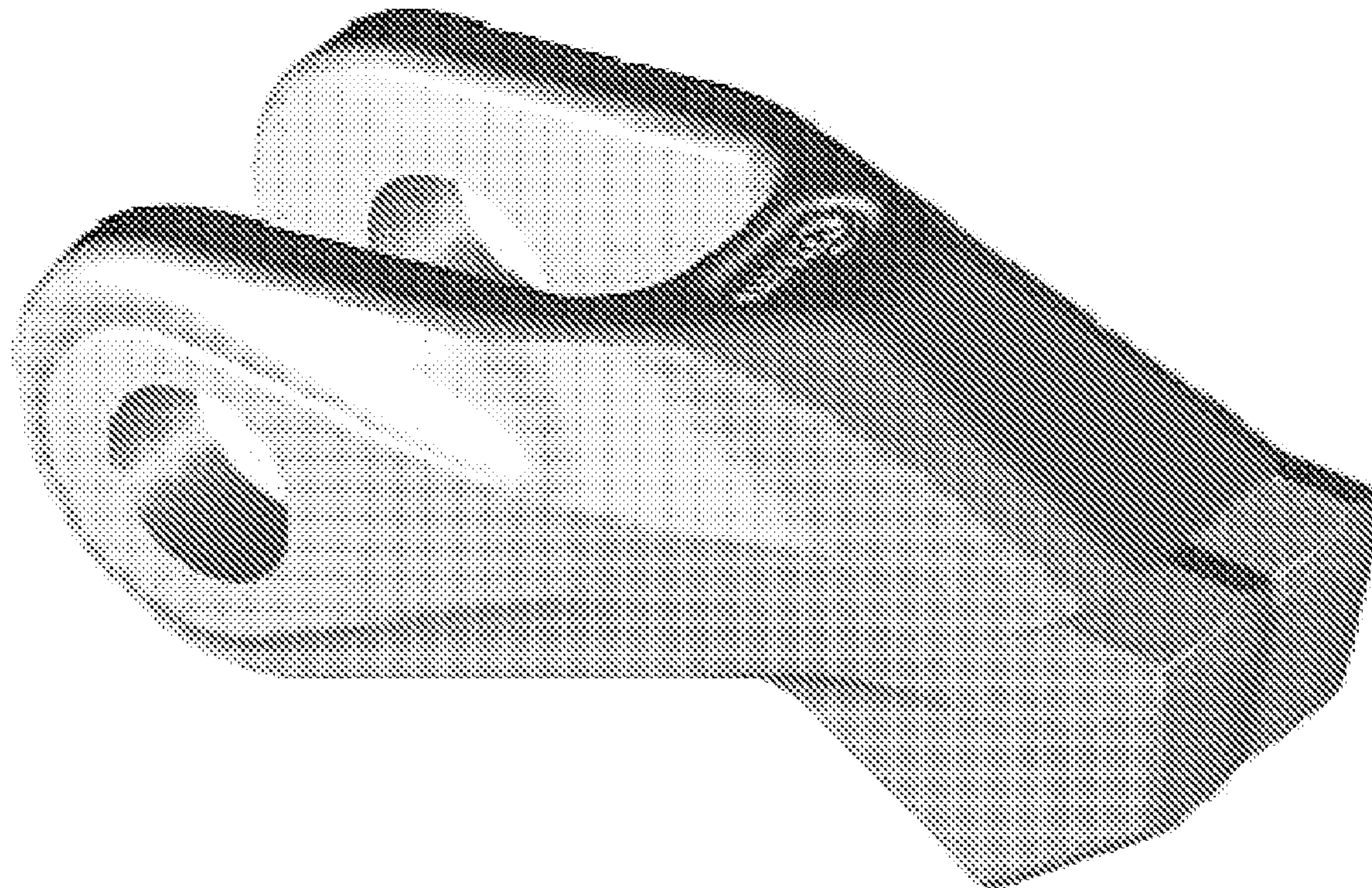
FIG. 4 is a bottom view of the embodiment of FIG. 1;

FIG. 5 is a side view of the embodiment of FIG. 1;

FIG. 6 is a front view of the embodiment of FIG. 1; and,

FIG. 7 is a rear view of the embodiment of FIG. 1.

1 Claim, 3 Drawing Sheets



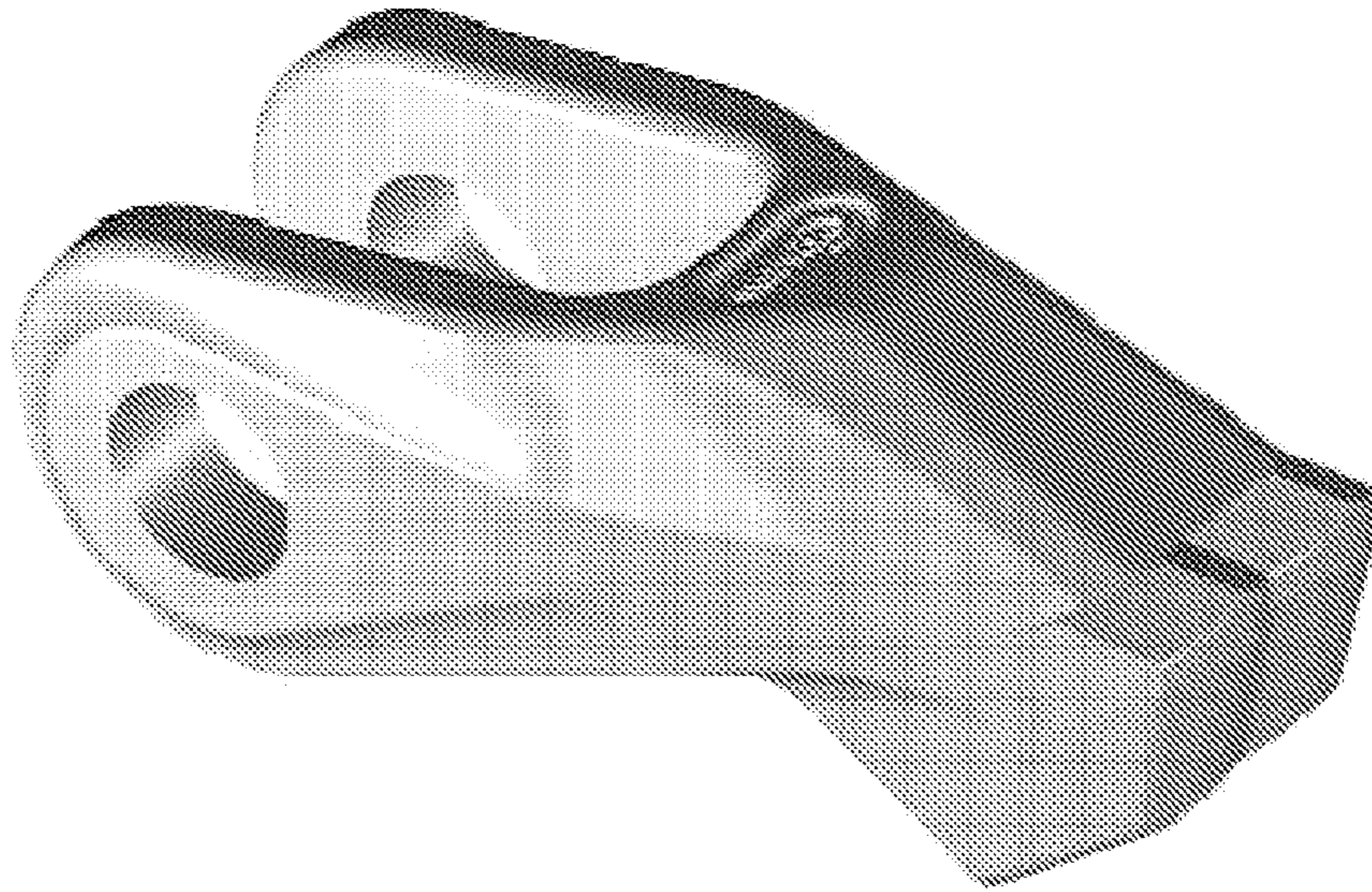


FIG. 1

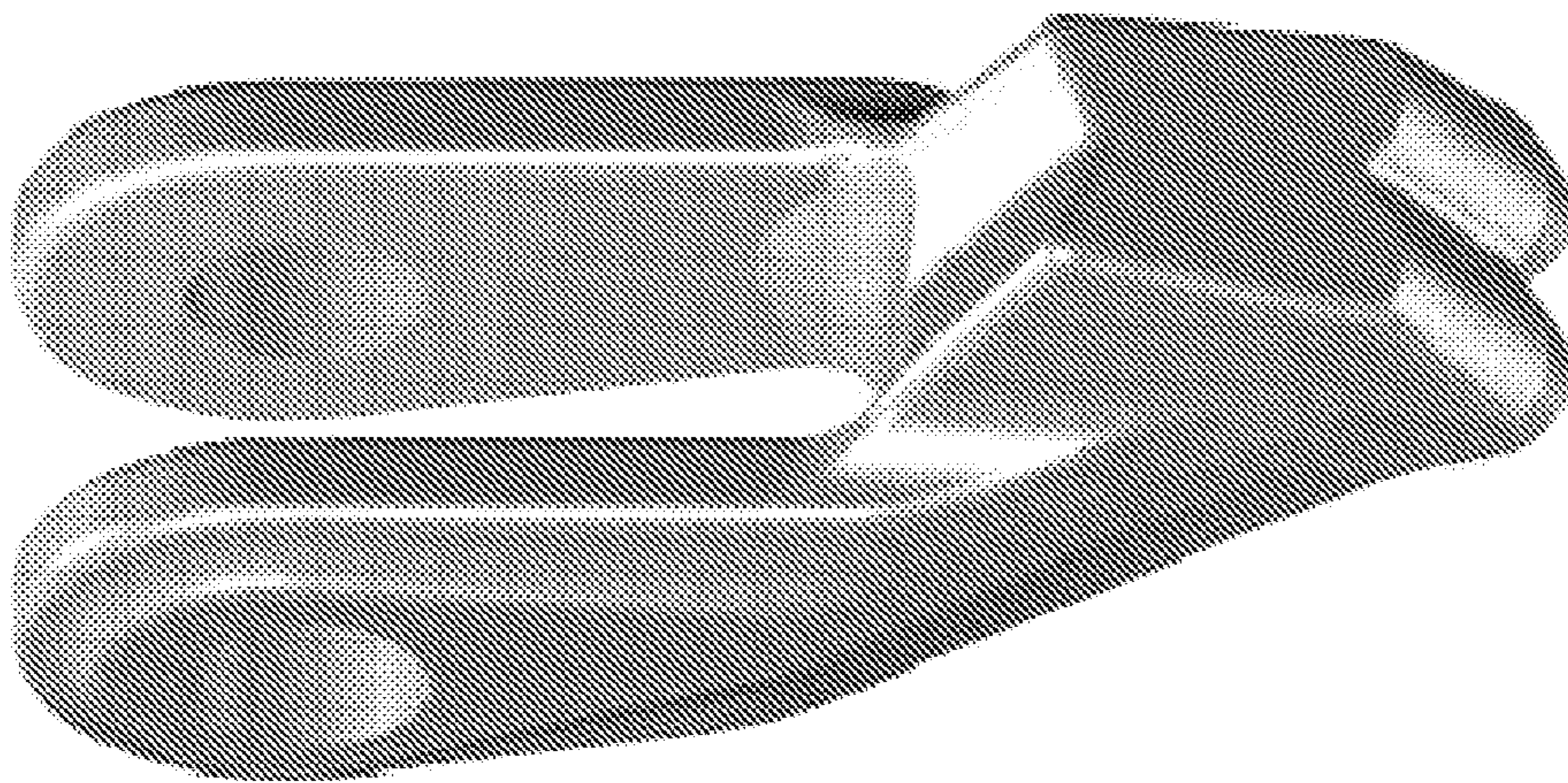


FIG. 2

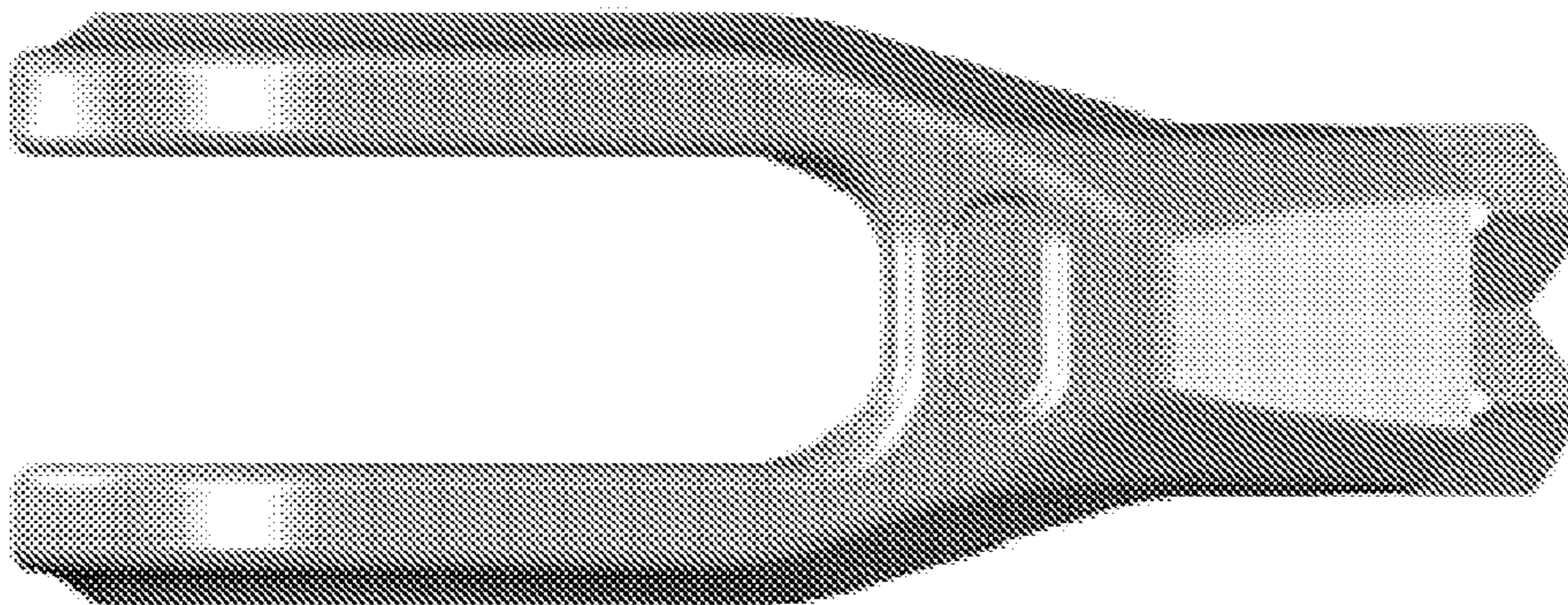


FIG. 3

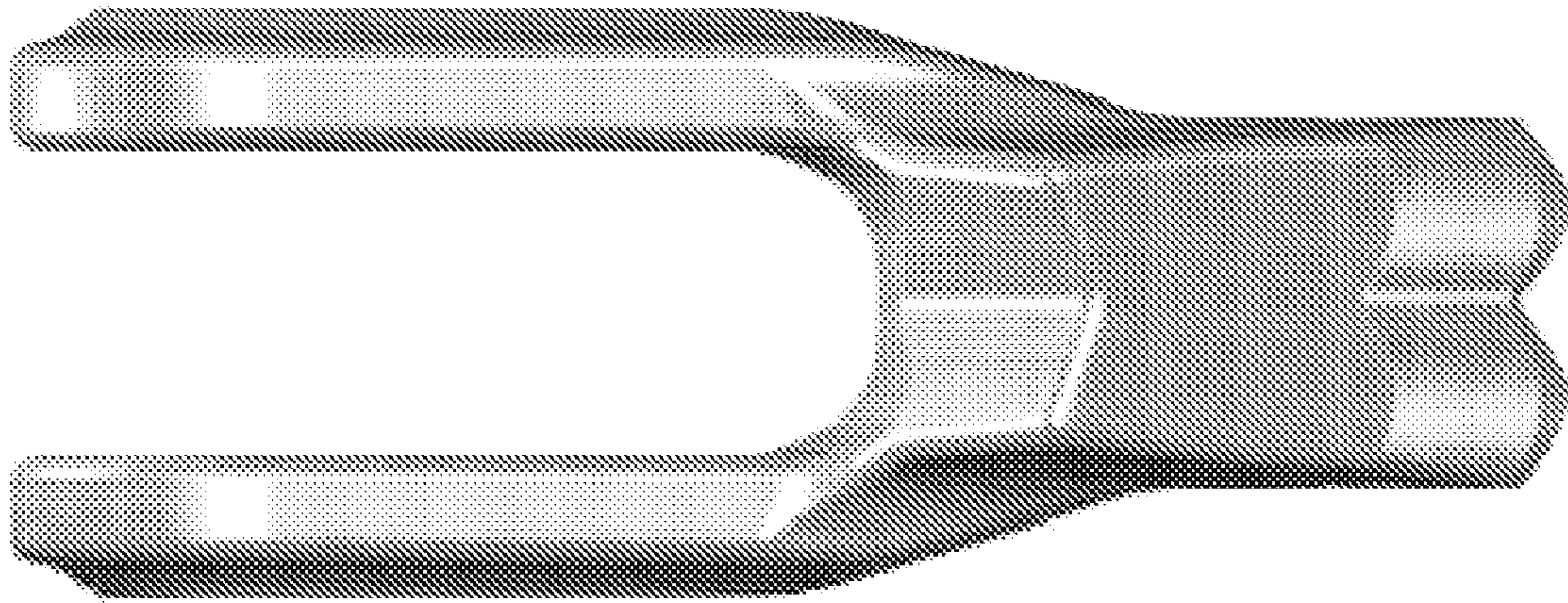


FIG. 4

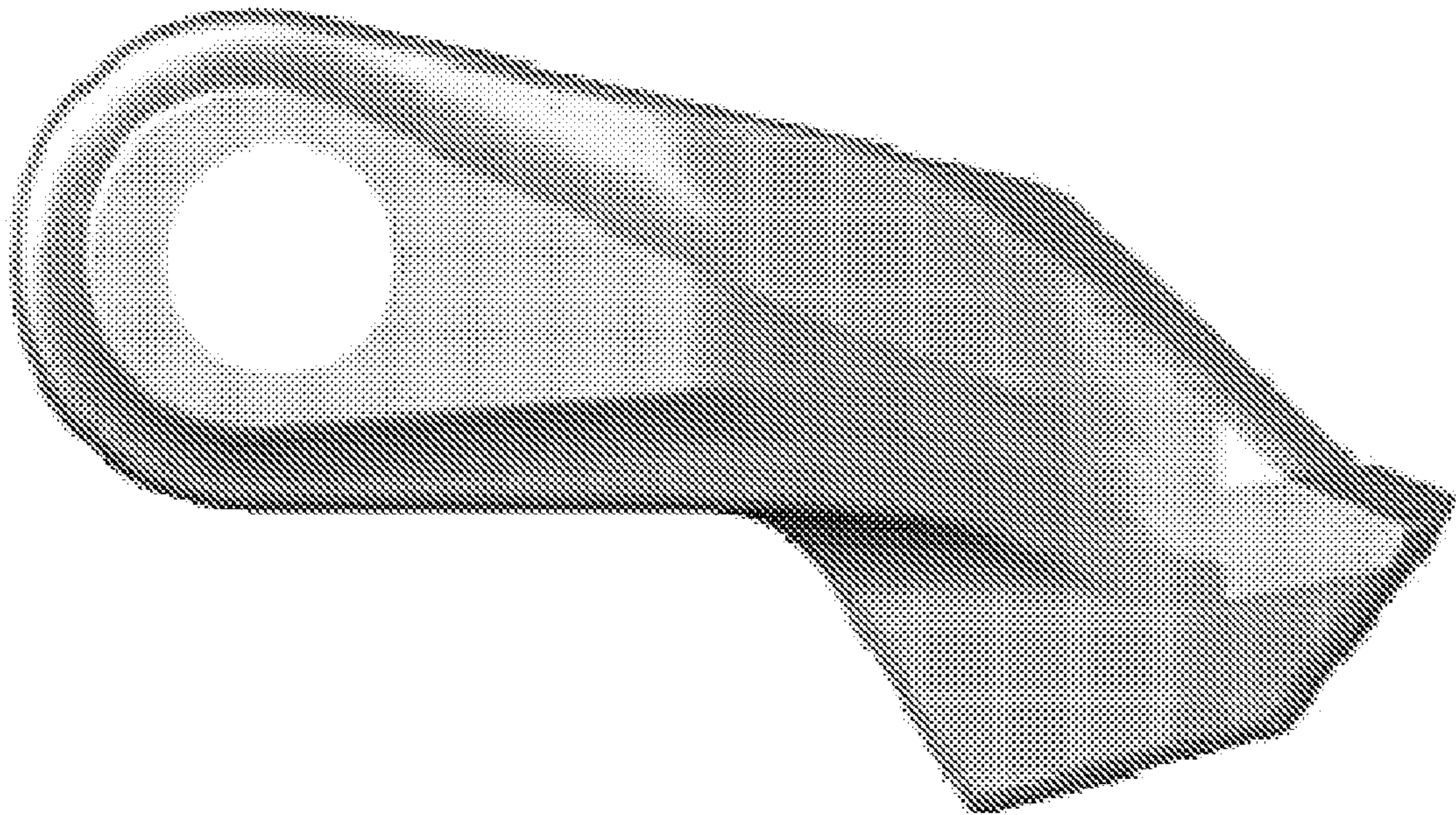


FIG. 5

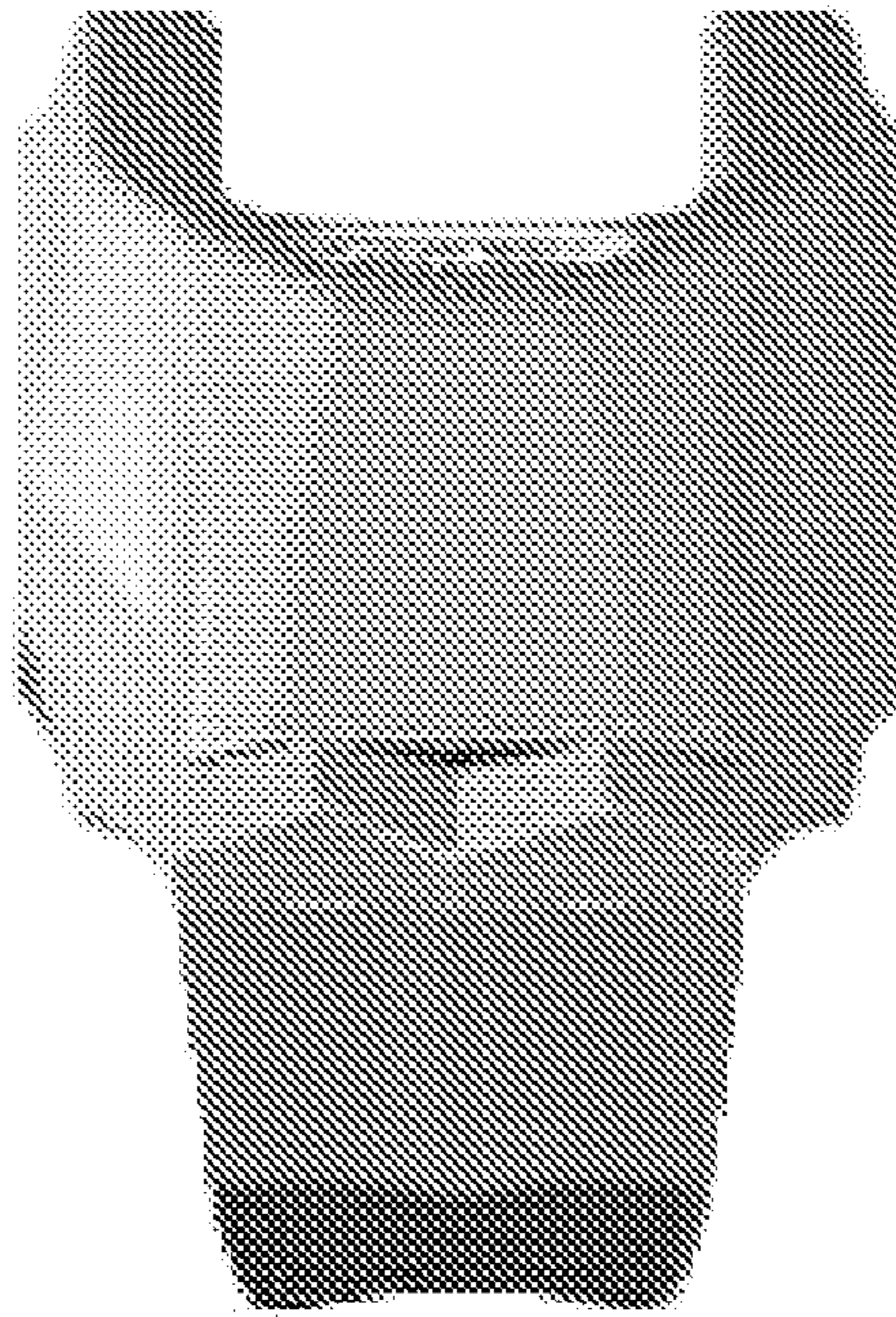


FIG. 6

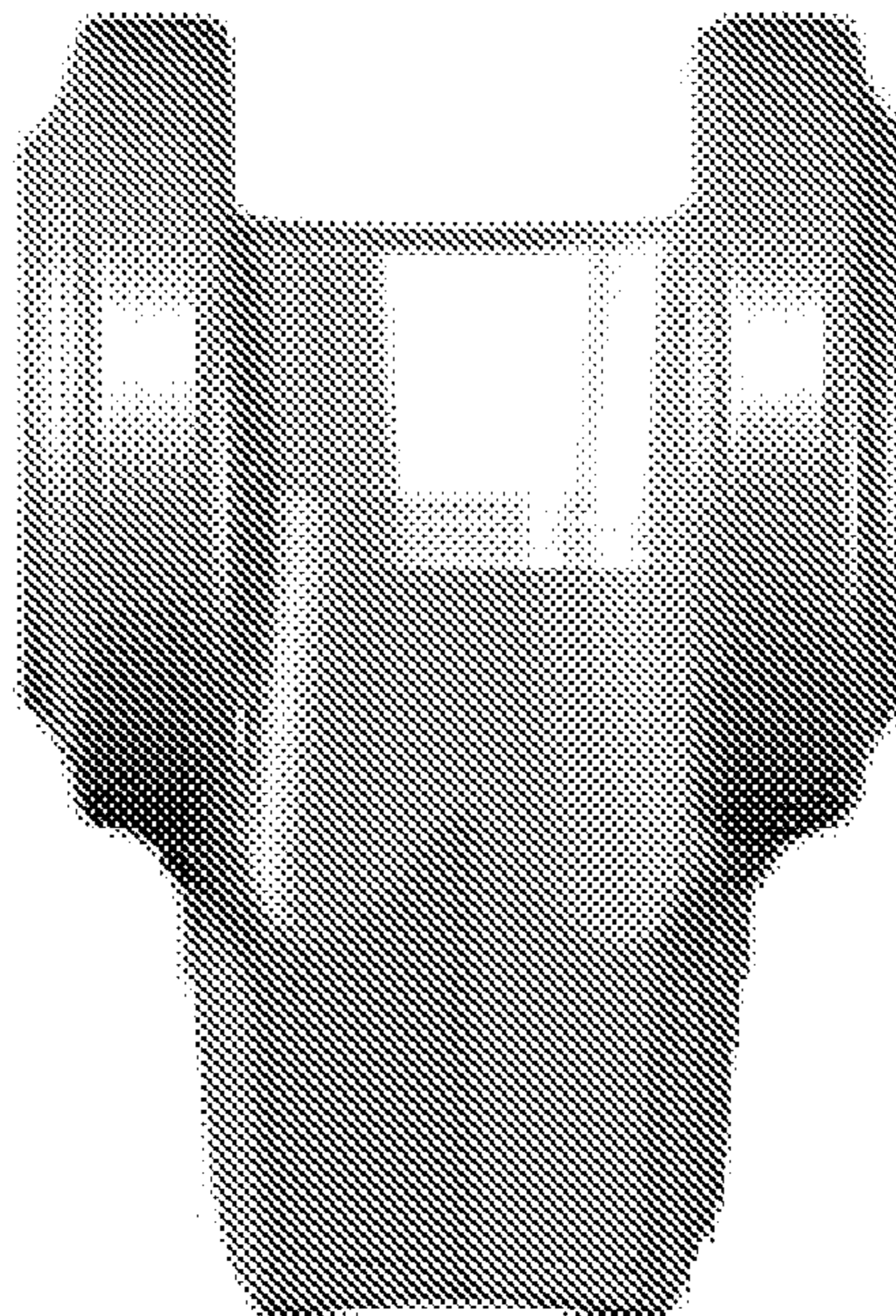


FIG. 7