



US00D565607S

(12) **United States Design Patent**  
**Moen et al.**

(10) **Patent No.: US D565,607 S**  
(45) **Date of Patent: \*\* Apr. 1, 2008**

(54) **VEHICULAR SPRAYER HOOD**  
(75) Inventors: **Richard A. Moen**, Glenwood, MN  
(US); **Stephen H. Stuhr**, Blomkest,  
MN (US)  
(73) Assignee: **CNH America LLC**, Racine, WI (US)  
(\*\*) Term: **14 Years**  
(21) Appl. No.: **29/246,703**  
(22) Filed: **May 4, 2006**

D438,546 S \* 3/2001 Katoh et al. .... D15/23  
D447,754 S \* 9/2001 Smith et al. .... D15/31  
D458,944 S \* 6/2002 Crookes et al. .... D15/31  
D465,500 S \* 11/2002 Workman et al. .... D15/31  
D466,531 S \* 12/2002 Hohnl et al. .... D15/31  
6,508,323 B2 1/2003 Burgo  
D473,882 S \* 4/2003 Kuwae ..... D15/31  
D474,206 S \* 5/2003 Kuwae ..... D15/31  
6,626,256 B2 9/2003 Dennison et al.  
D488,489 S \* 4/2004 Montgomery et al. .... D15/31  
D497,370 S \* 10/2004 Katoh ..... D15/31  
D511,175 S \* 11/2005 Staines et al. .... D15/31  
D533,882 S \* 12/2006 Higashikawa ..... D15/31

(51) **LOC (8) Cl.** ..... **15-03**  
(52) **U.S. Cl.** ..... **D15/31**  
(58) **Field of Classification Search** ..... D15/10,  
D15/11, 13-17, 28, 22-26, 31, 14; D12/173;  
56/13.3, 13.4, 15.8, 15.9, 320.1; 180/89.1,  
180/89.12, 900, 69.2, 68.1, 69.1  
See application file for complete search history.

**FOREIGN PATENT DOCUMENTS**

EP 0515737 A1 12/1992

\* cited by examiner

*Primary Examiner*—Stella M. Reid  
*Assistant Examiner*—Mark Goodwin  
(74) *Attorney, Agent, or Firm*—Rebecca Henkel

(56) **References Cited**

**U.S. PATENT DOCUMENTS**

1,446,814 A 2/1923 Scott  
1,825,134 A 9/1931 Storms  
1,872,467 A 8/1932 Kulka  
2,086,172 A 7/1937 Northup  
2,311,965 A 2/1943 Reynolds  
2,410,734 A 11/1946 Hitzelberger  
2,733,772 A 2/1956 Lamb  
2,761,523 A 9/1956 Lee  
2,952,328 A 9/1960 Steiner  
2,962,107 A 11/1960 Mihal et al.  
D192,091 S \* 1/1962 Lathe ..... D15/31  
3,216,760 A 11/1965 Buchwald  
3,918,540 A 11/1975 Haupt  
D297,330 S \* 8/1988 Monehaie et al. .... D15/31  
D381,025 S \* 7/1997 Bataille ..... D15/31  
5,645,134 A 7/1997 Frankel et al.  
D416,266 S \* 11/1999 Del Torchio ..... D15/25  
6,116,366 A 9/2000 Creswick et al.

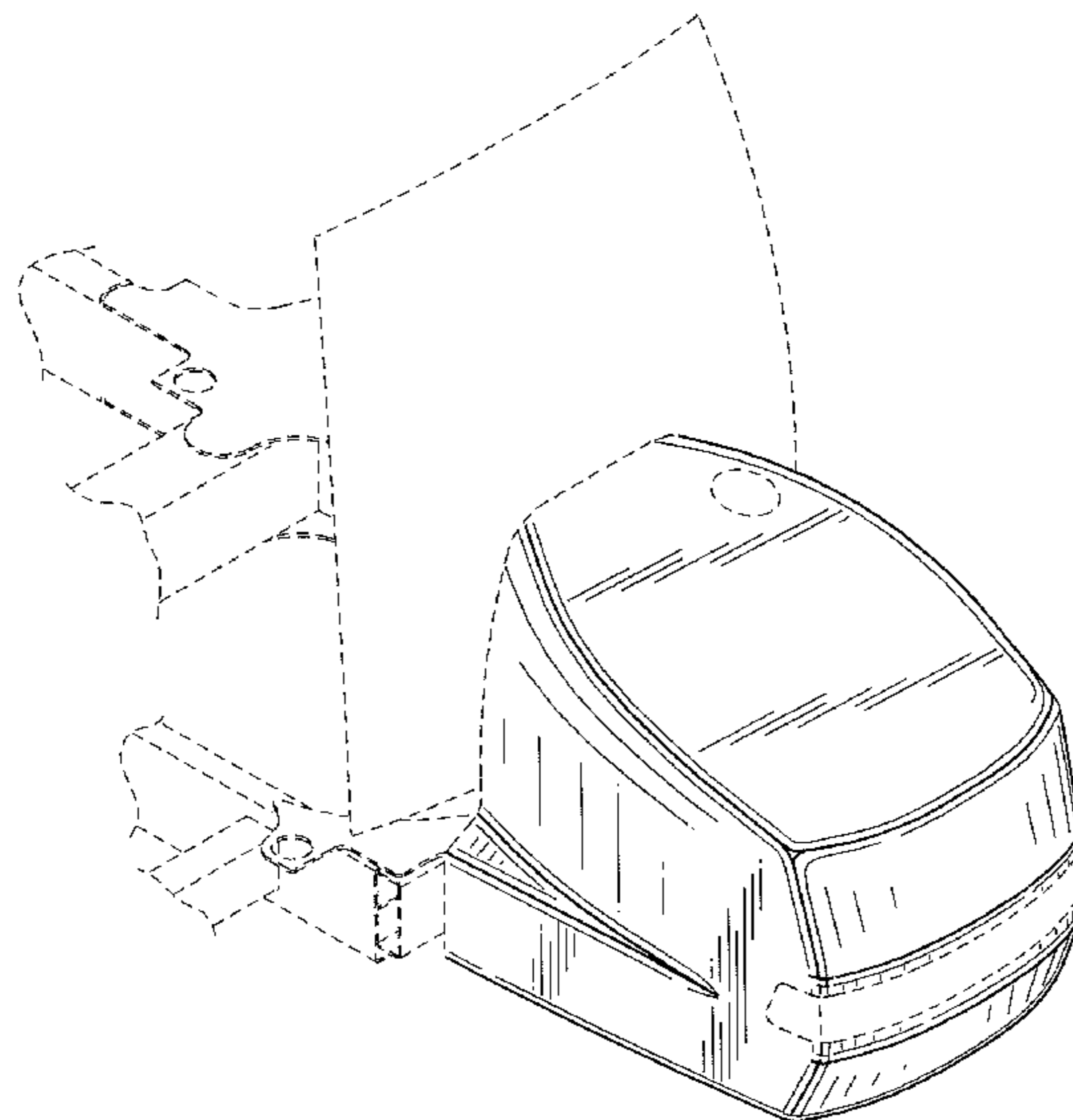
(57) **CLAIM**

The ornamental design for a vehicular sprayer hood, as shown and described.

**DESCRIPTION**

FIG. 1 is a top front right side perspective view of a vehicular sprayer hood showing my new design;  
FIG. 2 is a right-side elevation view thereof, with the left side being a mirror image of the right side;  
FIG. 3 is a front elevation view thereof;  
FIG. 4 is a top plan view thereof;  
FIG. 5 is a bottom plan view thereof; and,  
FIG. 6 is a rear elevation view thereof.  
The broken lines in FIGS. 1-6 are for illustrative purposes only and form no part of the claimed design.

**1 Claim, 3 Drawing Sheets**



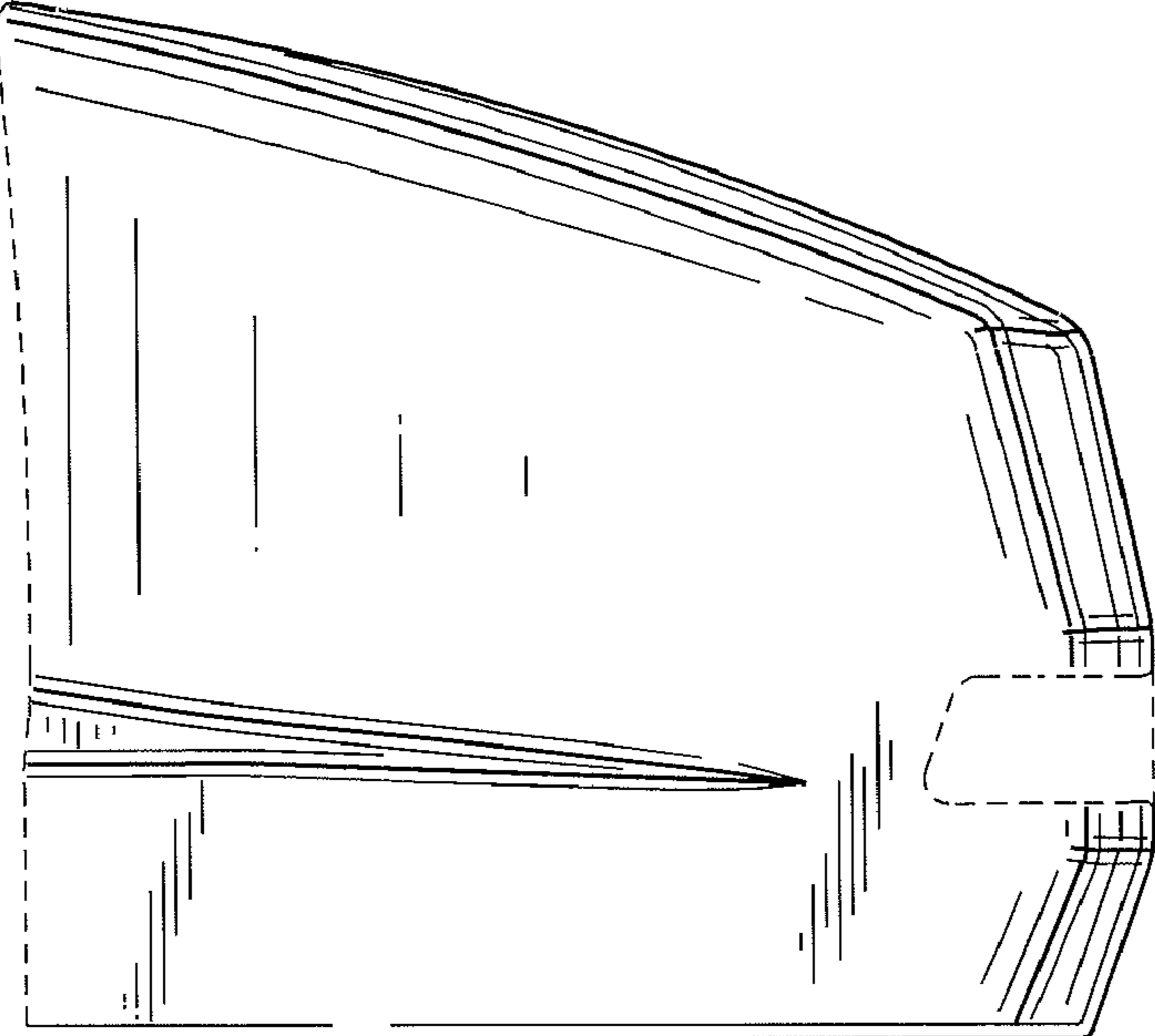
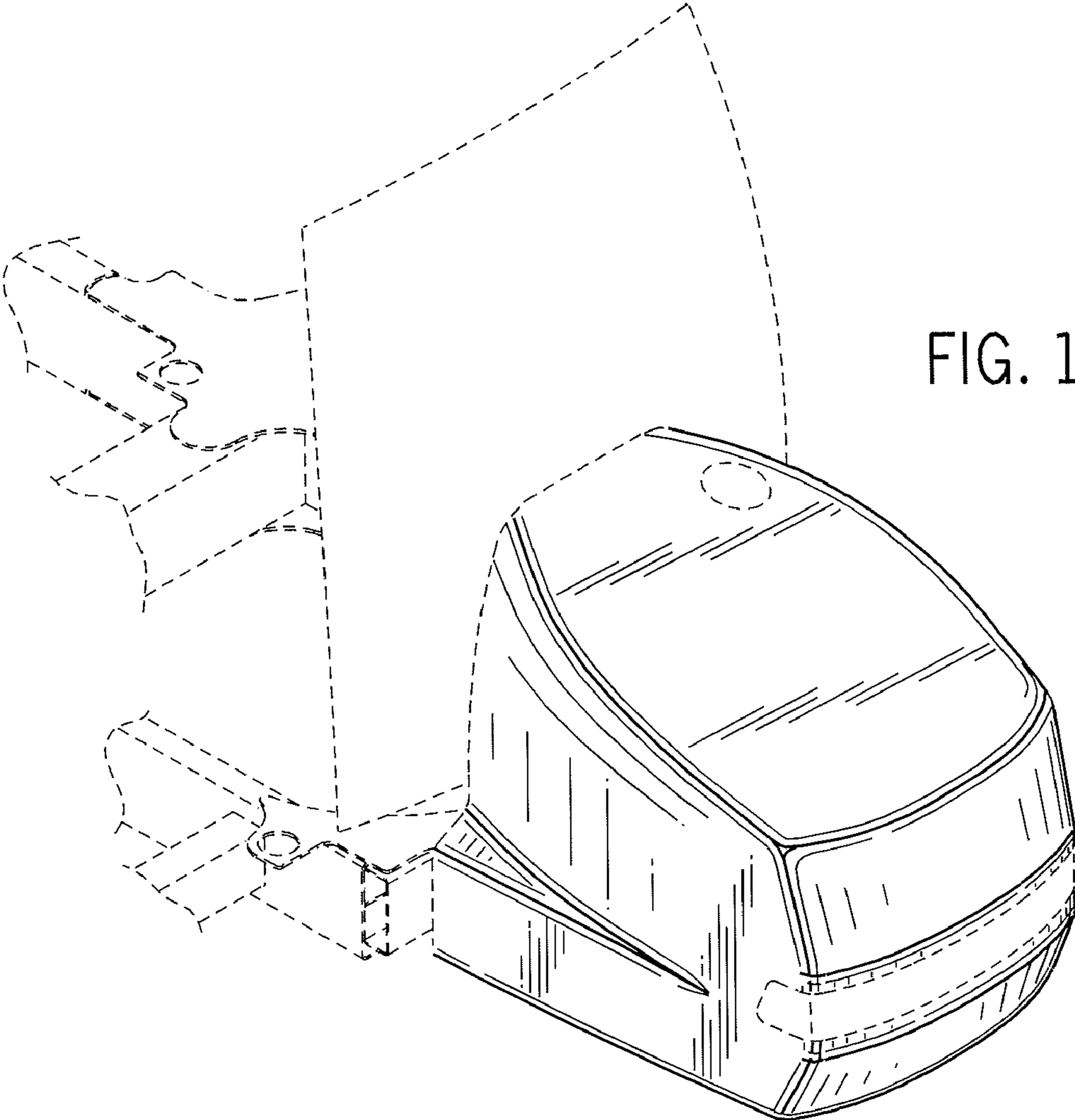


FIG. 3

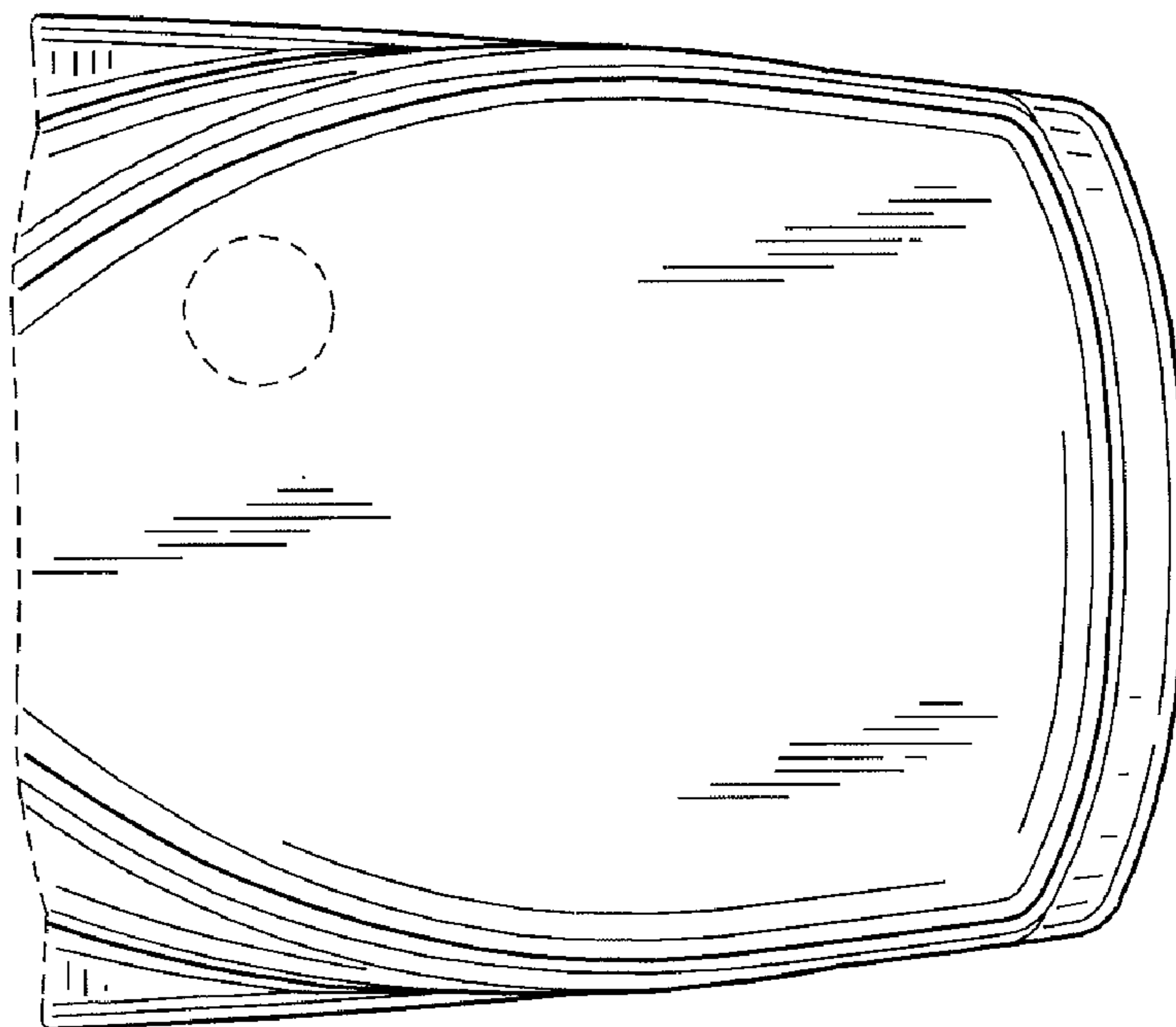
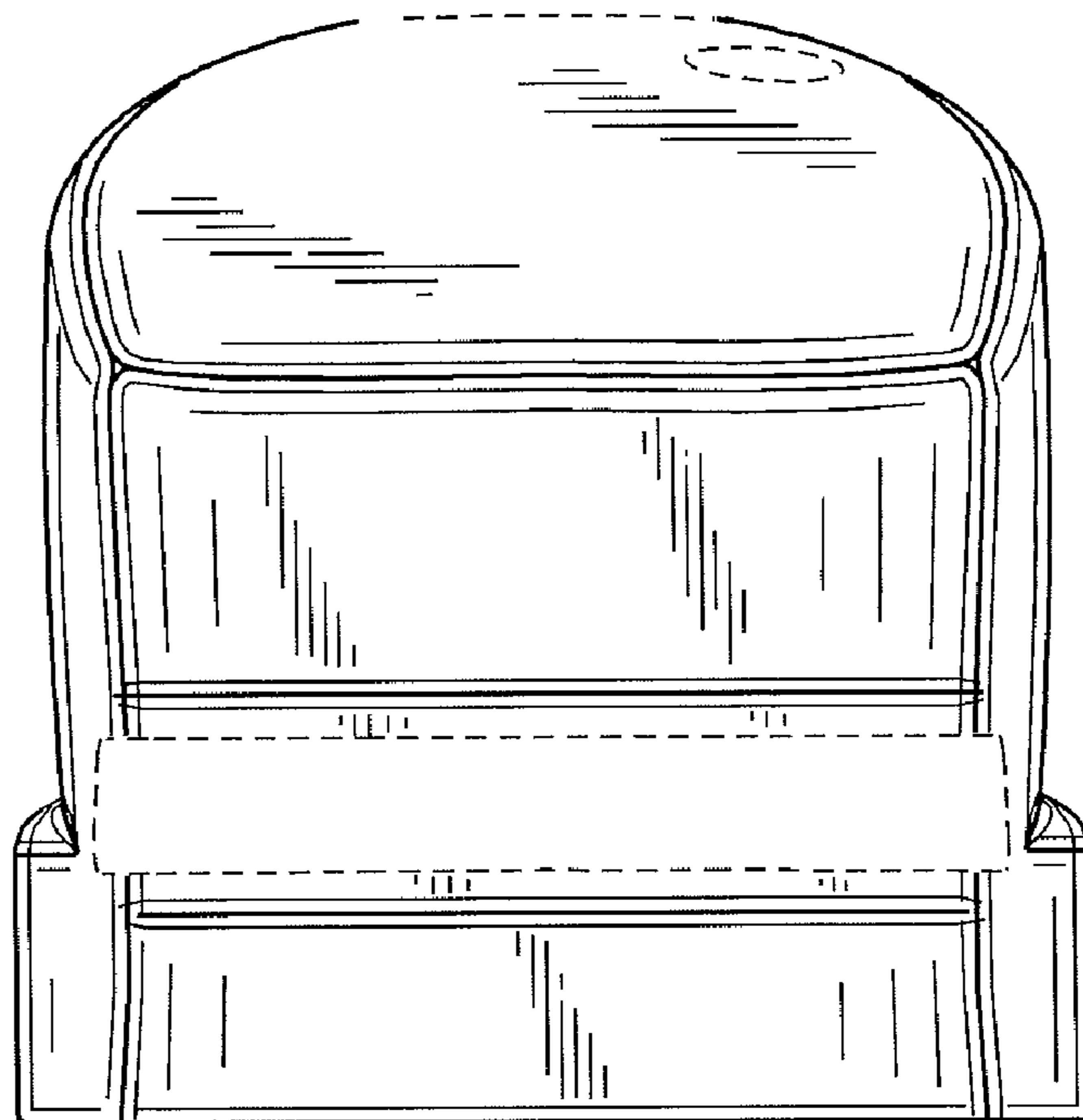


FIG. 4

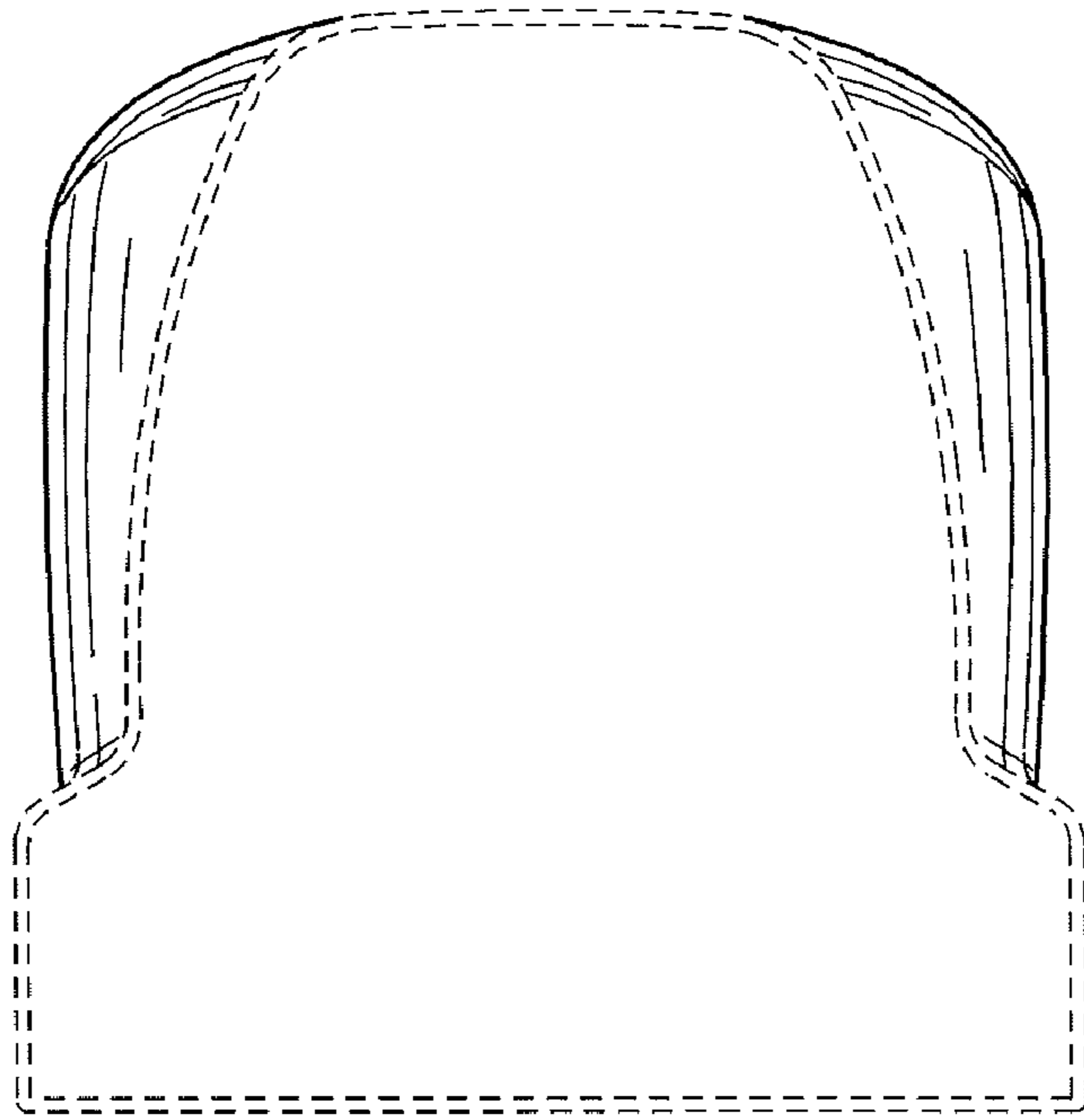


FIG. 5

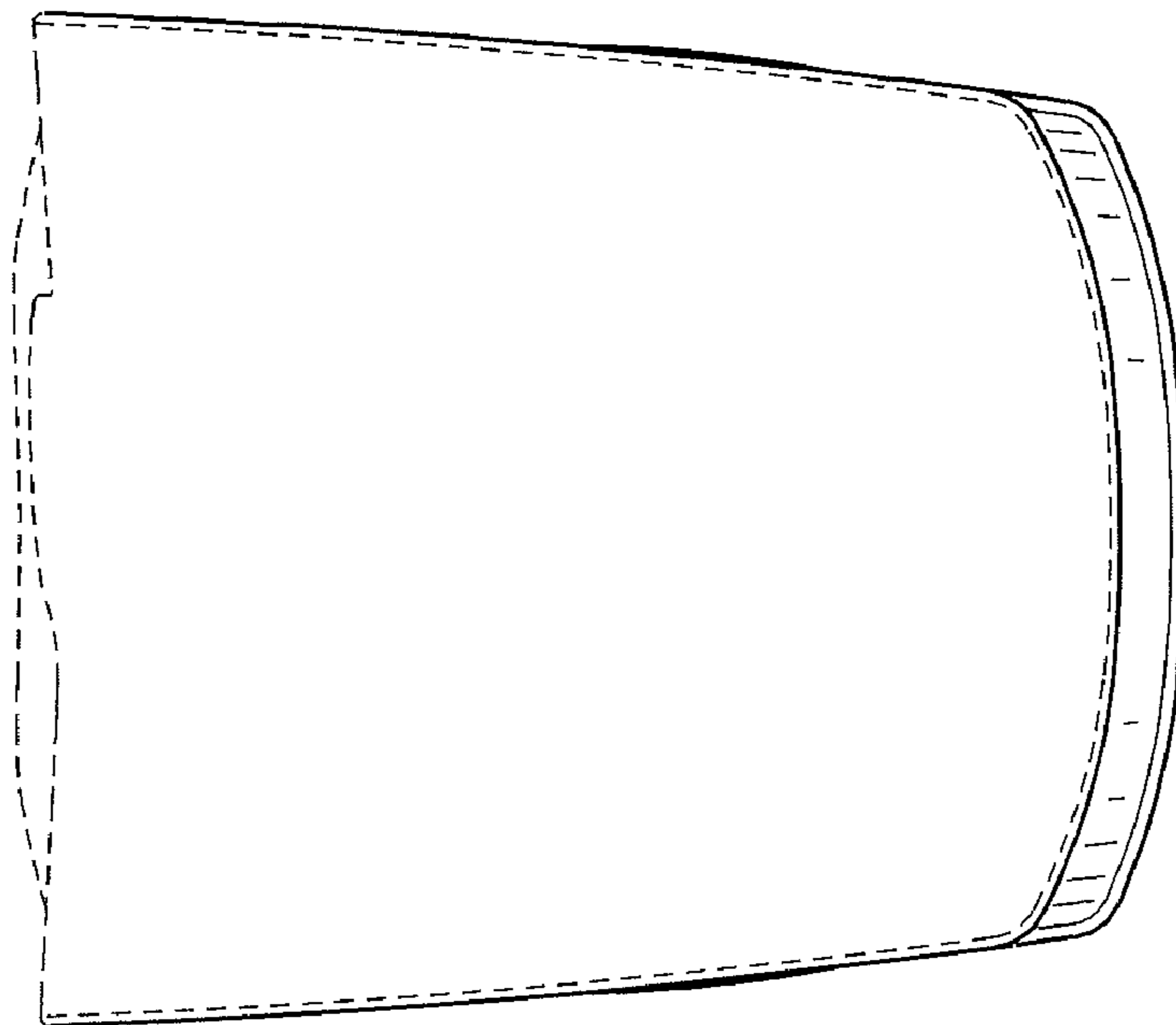


FIG. 6