



US00D565606S

(12) **United States Design Patent**  
**Sugihara**

(10) **Patent No.:** **US D565,606 S**  
(45) **Date of Patent:** **\*\* Apr. 1, 2008**

- (54) **RUBBER CRAWLER BLOCK**
- (75) Inventor: **Shingo Sugihara**, Chuo-ku (JP)
- (73) Assignee: **Bridgestone Corporation**, Tokyo (JP)
- (\*\*) Term: **14 Years**
- (21) Appl. No.: **29/287,720**
- (22) Filed: **Sep. 12, 2007**

6,170,925	B1	1/2001	Ono
6,176,557	B1	1/2001	Ono
D451,523	S	12/2001	Bonko
D454,890	S	3/2002	Tsuru
D455,444	S	4/2002	Tsuru
D471,566	S	3/2003	Feldmann
D472,905	S	4/2003	Feldmann
D474,205	S	5/2003	Feldmann
6,652,044	B1	11/2003	Katoh et al.
D484,515	S	12/2003	Nishimura
D496,051	S	9/2004	Yoshida
D514,133	S	1/2006	Fujita
2005/0168069	A1	8/2005	Ueno
2005/0173983	A1	8/2005	Nishimura

**Related U.S. Application Data**

- (63) Continuation of application No. 29/271,638, filed on Jan. 24, 2007.

**Foreign Application Priority Data**

- Jul. 24, 2006 (JP) ..... 2006-19458
- Jul. 24, 2006 (JP) ..... 2006-19459

- (51) **LOC (8) Cl.** ..... **15-03**
- (52) **U.S. Cl.** ..... **D15/28**
- (58) **Field of Classification Search** ..... D15/22-26, D15/28; D21/431, 484, 491, 495, 537; 180/89.12, 180/9.1, 900; 152/108, 88, 209.12, 171-173, 152/165, 178; 305/40, 53, 44, 46, 160, 50, 305/167, 196, 198, 162, 169, 177, 185, 193, 305/200-202, 171, 195

See application file for complete search history.

(56) **References Cited**

**U.S. PATENT DOCUMENTS**

D322,076	S	*	12/1991	Rollinson	.....	D15/28
D325,209	S	*	4/1992	Rollinson	.....	D15/28
D342,526	S	*	12/1993	Chandler	.....	D15/28
5,390,985	A	*	2/1995	Chandler	.....	301/44.2
D365,826	S	*	1/1996	Chandler	.....	D15/28
D365,827	S	*	1/1996	Chandler	.....	D15/28
6,106,083	A		8/2000	Ono		

**FOREIGN PATENT DOCUMENTS**

JP 1158360 11/2002

\* cited by examiner

*Primary Examiner*—Stella M. Reid  
*Assistant Examiner*—Mark Goodwin  
(74) *Attorney, Agent, or Firm*—Sughrue Mion, PLLC

(57) **CLAIM**

The ornamental design for a rubber crawler block, as shown and described.

**DESCRIPTION**

FIG. 1 is a perspective view of a rubber crawler block showing my new design; and,

FIG. 2 is a front elevational view thereof.

The portions shown in broken lines represent environmental subject matter and form no part of the claimed design. The dot-dash line represents a border between the claimed subject matter and unclaimed environmental subject matter and forms no part of the claimed design.

**1 Claim, 2 Drawing Sheets**

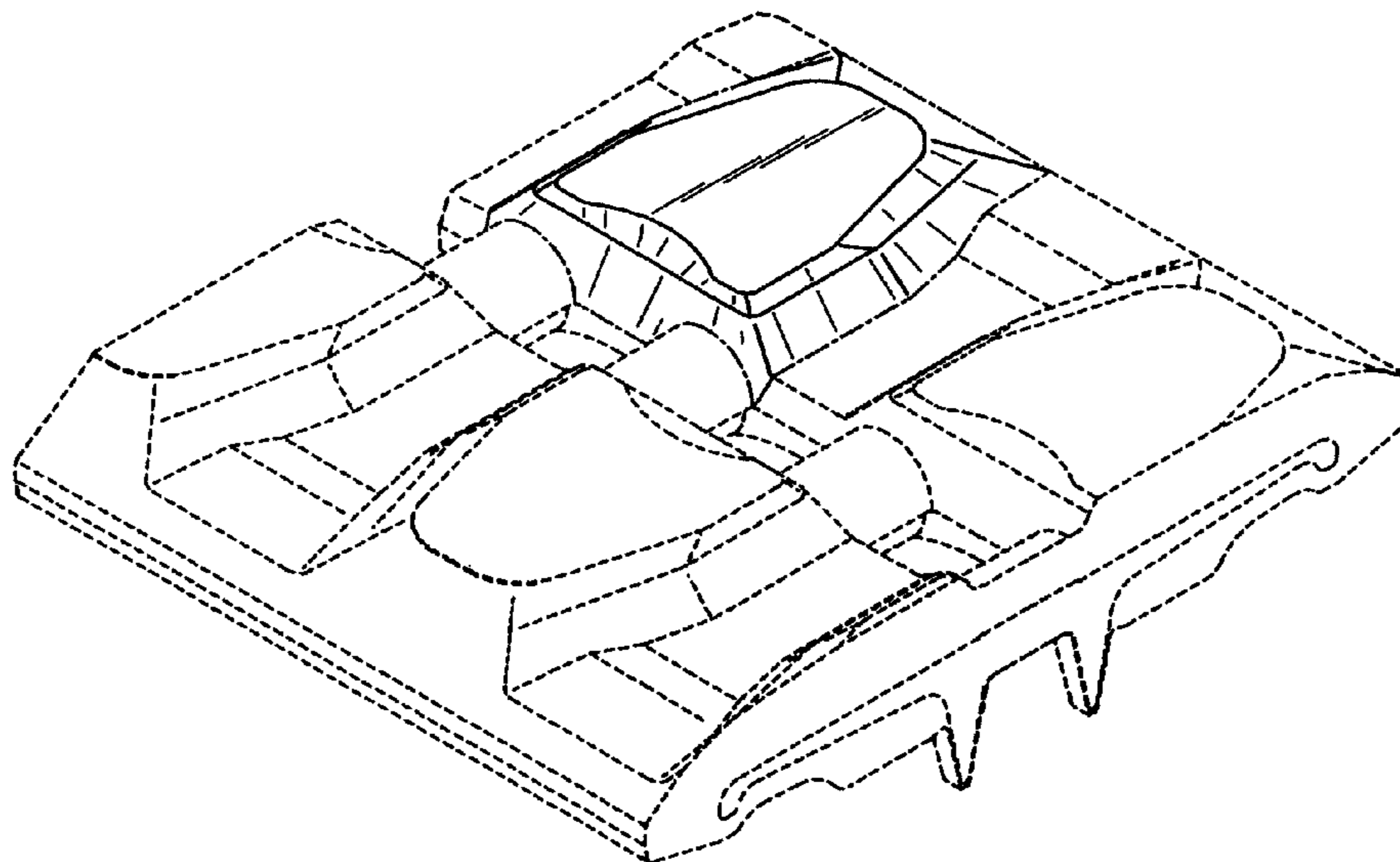


FIG. 1

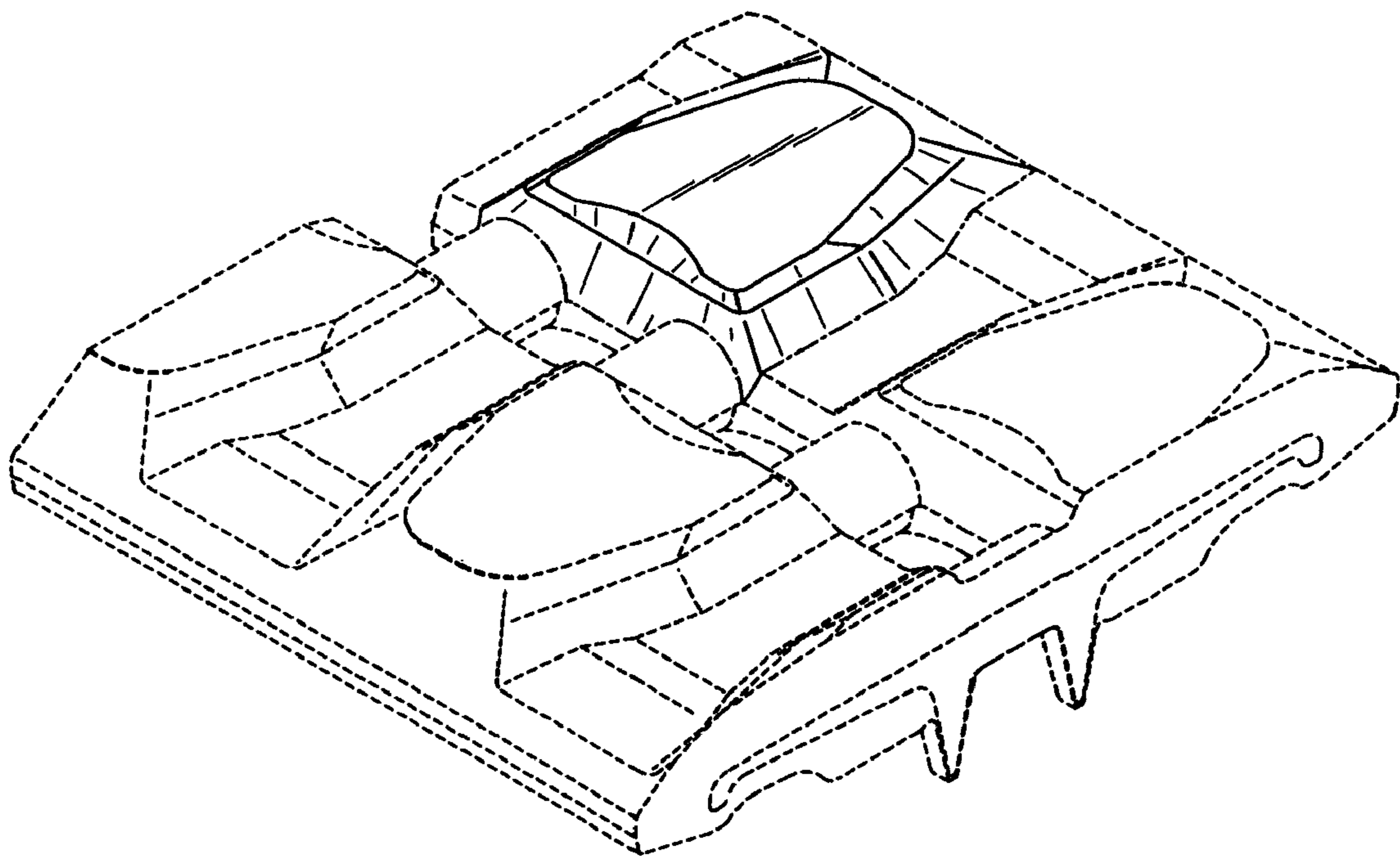


FIG 2

