



US00D565603S

(12) **United States Design Patent** (10) **Patent No.:** **US D565,603 S**  
**Viner et al.** (45) **Date of Patent:** **\*\* Apr. 1, 2008**

(54) **LINE MARKER APPARATUS**

D402,669 S \* 12/1998 Chapman et al. .... D15/13  
 6,102,305 A \* 8/2000 Chapman et al. .... 239/150  
 7,163,353 B2 \* 1/2007 Ramirez ..... 404/93

(75) Inventors: **Peter Viner**, West Yorkshire (GB);  
**Rachael Elizabeth Roberts**, West  
 Yorkshire (GB); **Neil Kettlewell**, Leeds  
 (GB); **Justin Kerslake**, Leeds (GB);  
**Jacey Moore**, Leeds (GB)

\* cited by examiner

*Primary Examiner*—Antoine D. Davis  
*Assistant Examiner*—Patricia Palasik

(73) Assignee: **Illinois Tool Works, Inc.**, Glenview, IL  
 (US)

(57) **CLAIM**

(\*\*) Term: **14 Years**

The ornamental design for a line marker apparatus, as shown and described.

(21) Appl. No.: **29/279,054**

(22) Filed: **Apr. 18, 2007**

**DESCRIPTION**

(30) **Foreign Application Priority Data**

Oct. 18, 2006 (EM) ..... 000612403-0001

(51) **LOC (8) Cl.** ..... **15-03**

(52) **U.S. Cl.** ..... **D15/13**

(58) **Field of Classification Search** ..... D4/114,  
 D4/122, 199; D15/13; D21/235; 15/114,  
 15/166; 401/21–22, 48, 147, 208, 218–220;  
 404/93–94

See application file for complete search history.

FIG. 1 is a top-front-left hand perspective view of the apparatus showing a handle of the apparatus in a raised position and both rear legs of the apparatus are out-turned. An aerosol for use with the apparatus is shown in FIG. 1 in dashed lines. A top-front-right hand perspective view (not shown) is a mirror image of the top-front-left hand perspective view in FIG. 1.

FIG. 2 is a rear elevation view of the apparatus shown in FIG. 1.

FIG. 3 is a left side elevation view of the apparatus shown in FIG. 1. A right side elevation view (not shown) is a mirror image of the left side elevation view in FIG. 3.

FIG. 4 is a top plan view of the apparatus shown in FIG. 1.

FIG. 5 is a bottom plan view of the apparatus shown in FIG. 1.

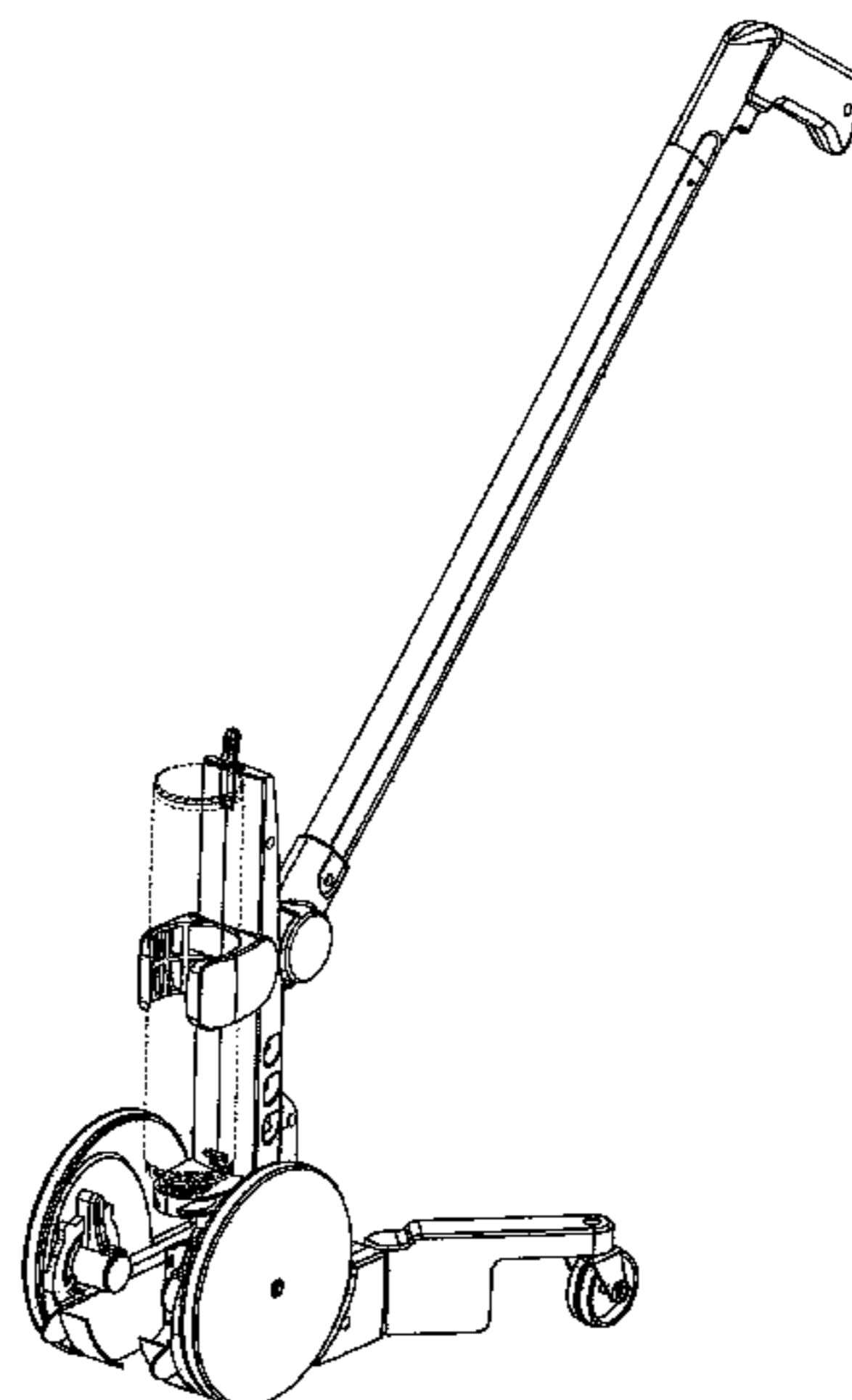
FIG. 6 is a top-front-left hand perspective view of the apparatus showing the handle in the raised position and both rear legs of the apparatus are in-turned. An aerosol for use with the apparatus is shown in FIG. 6 in dashed lines. A top-front-right hand perspective view (not shown) is a mirror image of the top-front-left hand perspective view in FIG. 6.

FIG. 7 is a top-rear-left hand perspective view of the apparatus showing the handle in a lowered position, the left-rear leg is in-turned, and the right-rear leg is out-turned. An aerosol for use with the apparatus is shown in FIG. 7 in

(56) **References Cited**

**U.S. PATENT DOCUMENTS**

- 1,835,641 A \* 12/1931 Finfrock ..... 401/48
- 2,812,211 A \* 11/1957 Gardner ..... 239/150
- 2,988,763 A \* 6/1961 Sweet ..... 401/48
- 3,695,222 A \* 10/1972 Arrant ..... 118/207
- 3,990,800 A \* 11/1976 Graff ..... 401/219
- 4,015,907 A \* 4/1977 Lodge ..... 401/48
- D278,173 S \* 3/1985 Morris ..... D34/17
- 4,877,348 A \* 10/1989 Opie ..... 404/93
- 4,893,751 A \* 1/1990 Armstrong ..... 239/150
- 5,263,789 A \* 11/1993 Torntore et al. .... 404/93
- D354,288 S \* 1/1995 Pena ..... D15/13
- D361,667 S \* 8/1995 Brown ..... D4/122
- 5,785,453 A \* 7/1998 Marty et al. .... 404/94
- D399,853 S \* 10/1998 Prosper et al. .... D15/13



dashed lines. A top-rear-right hand perspective view (not shown) is a mirror image of the top-rear-left hand perspective view in FIG. 7; and,

FIG. 8 is a front elevation view of the apparatus shown in FIG. 1.

The dashed lines in the drawings form no part of the claimed design.

**1 Claim, 8 Drawing Sheets**

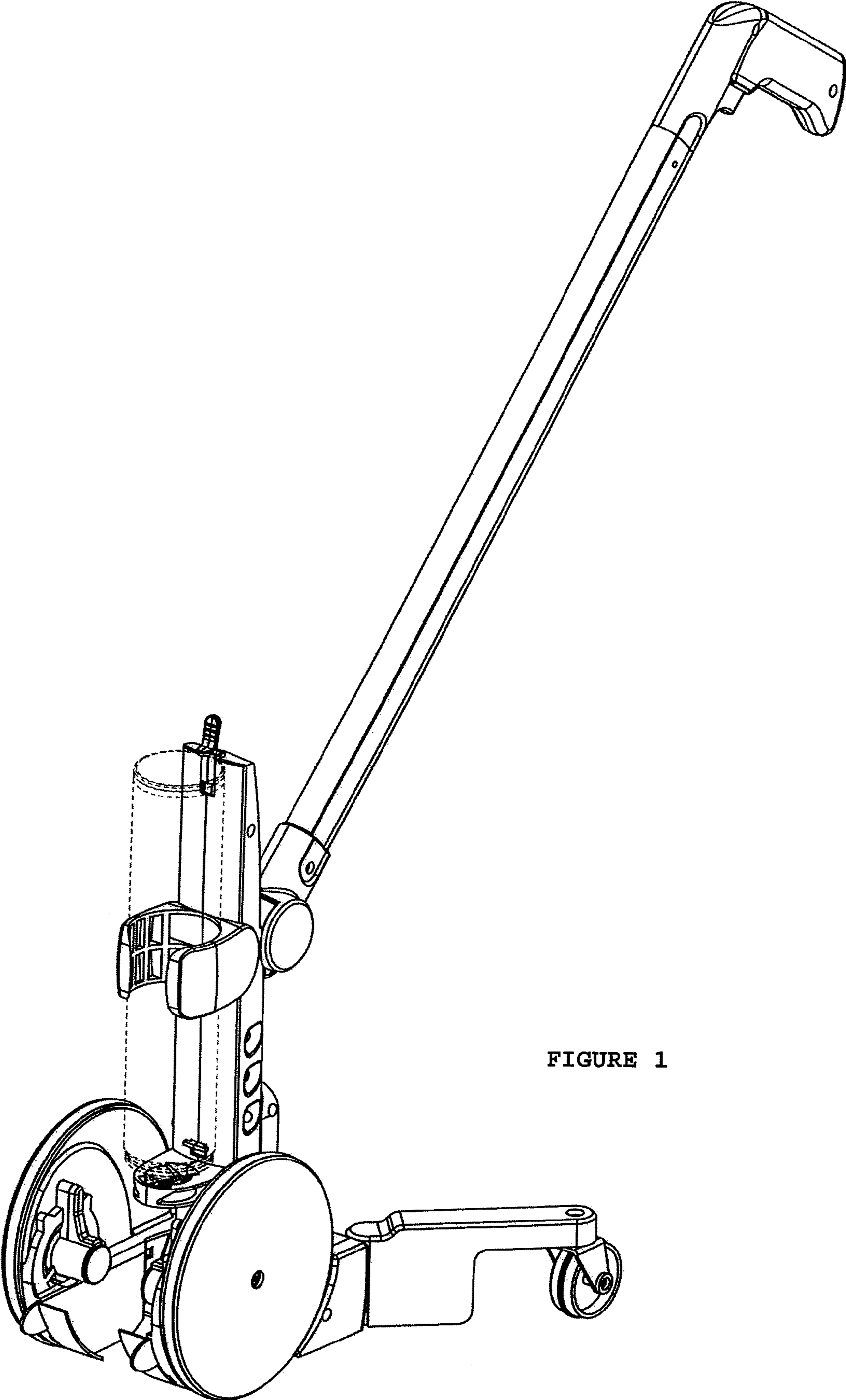


FIGURE 1

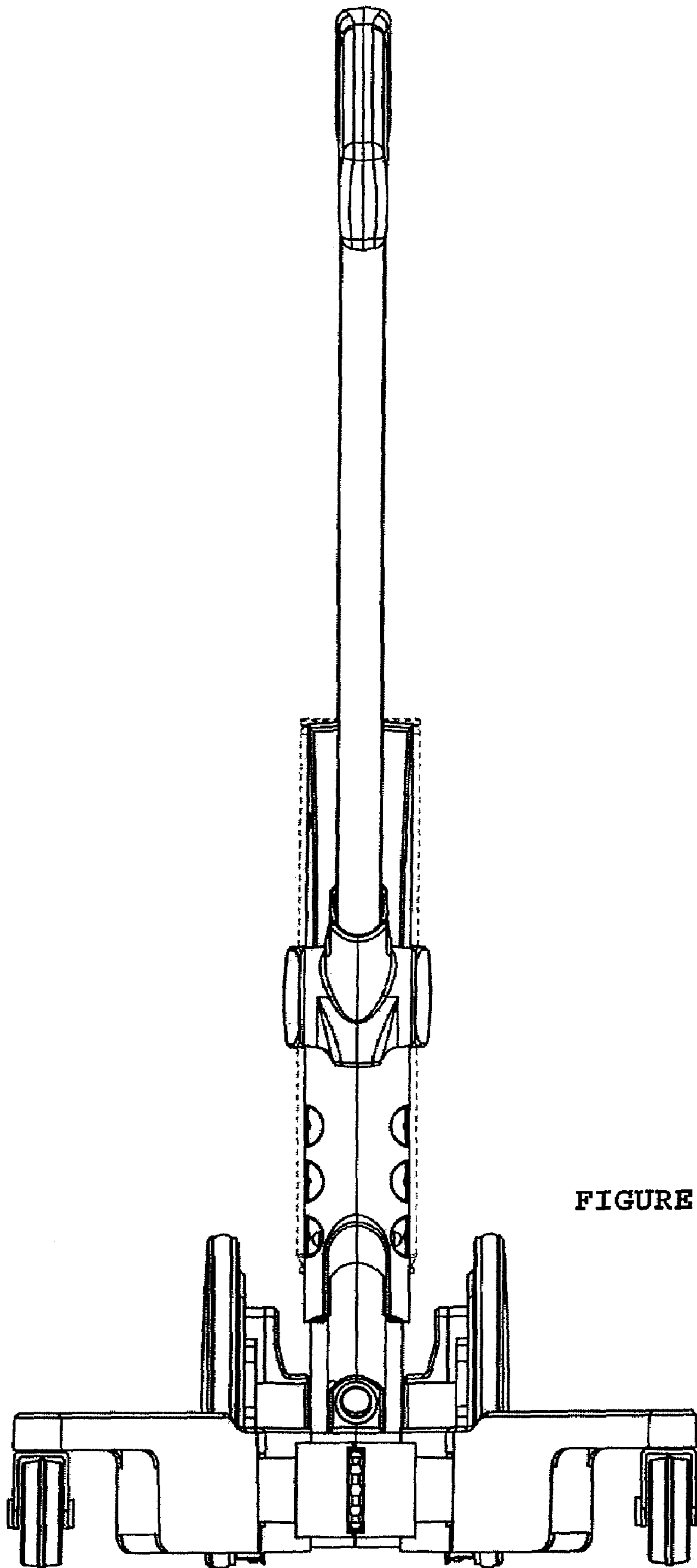


FIGURE 2

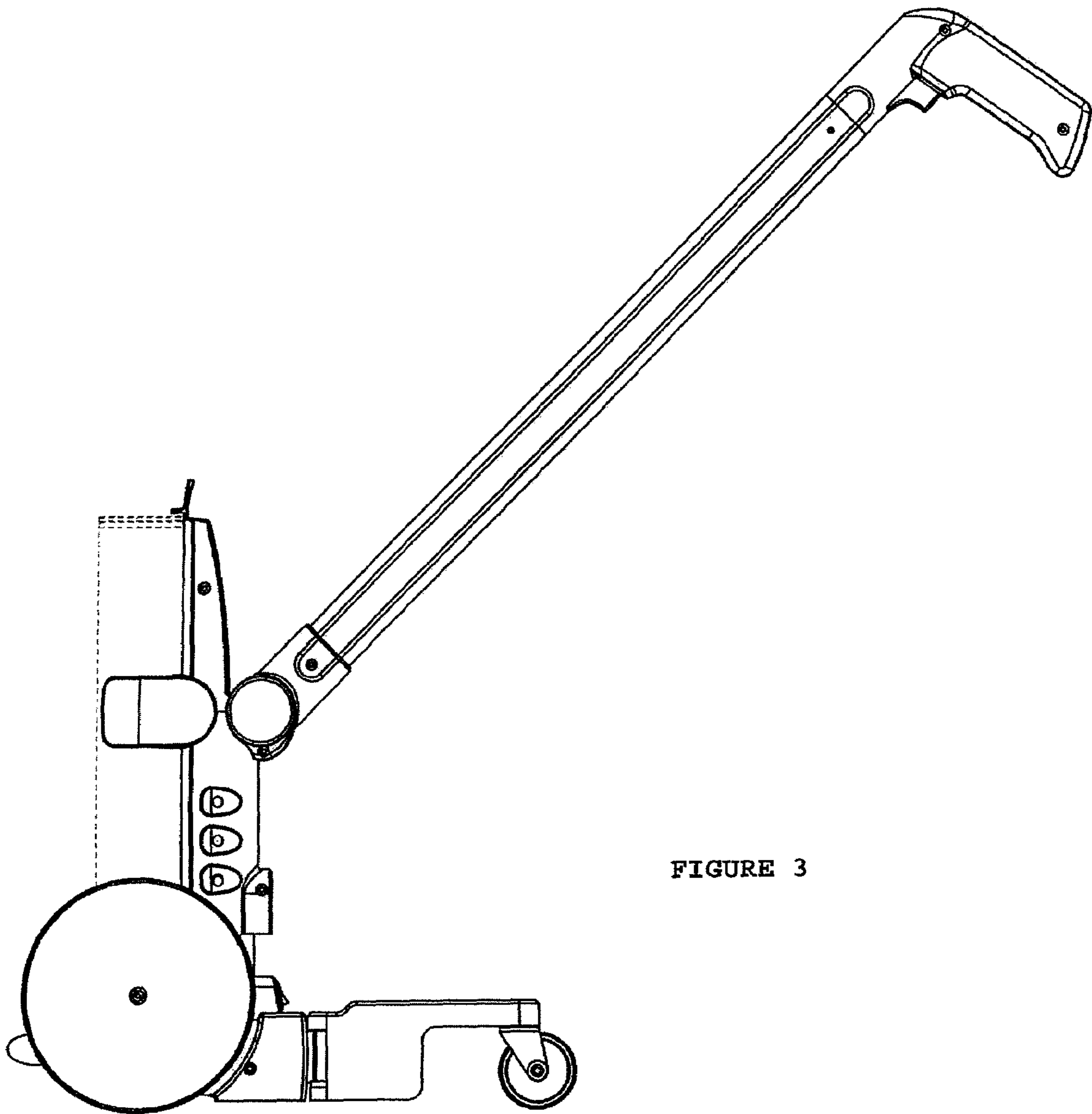


FIGURE 3

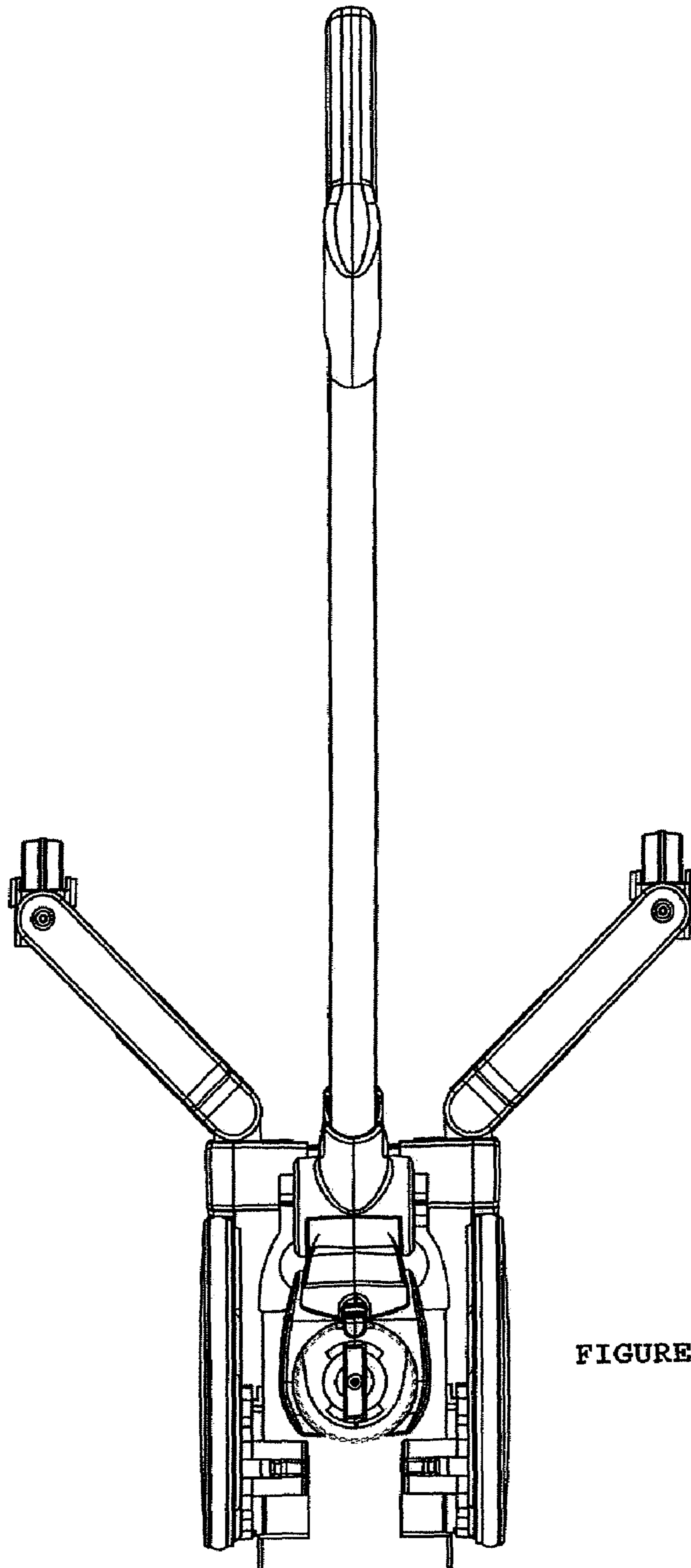


FIGURE 4

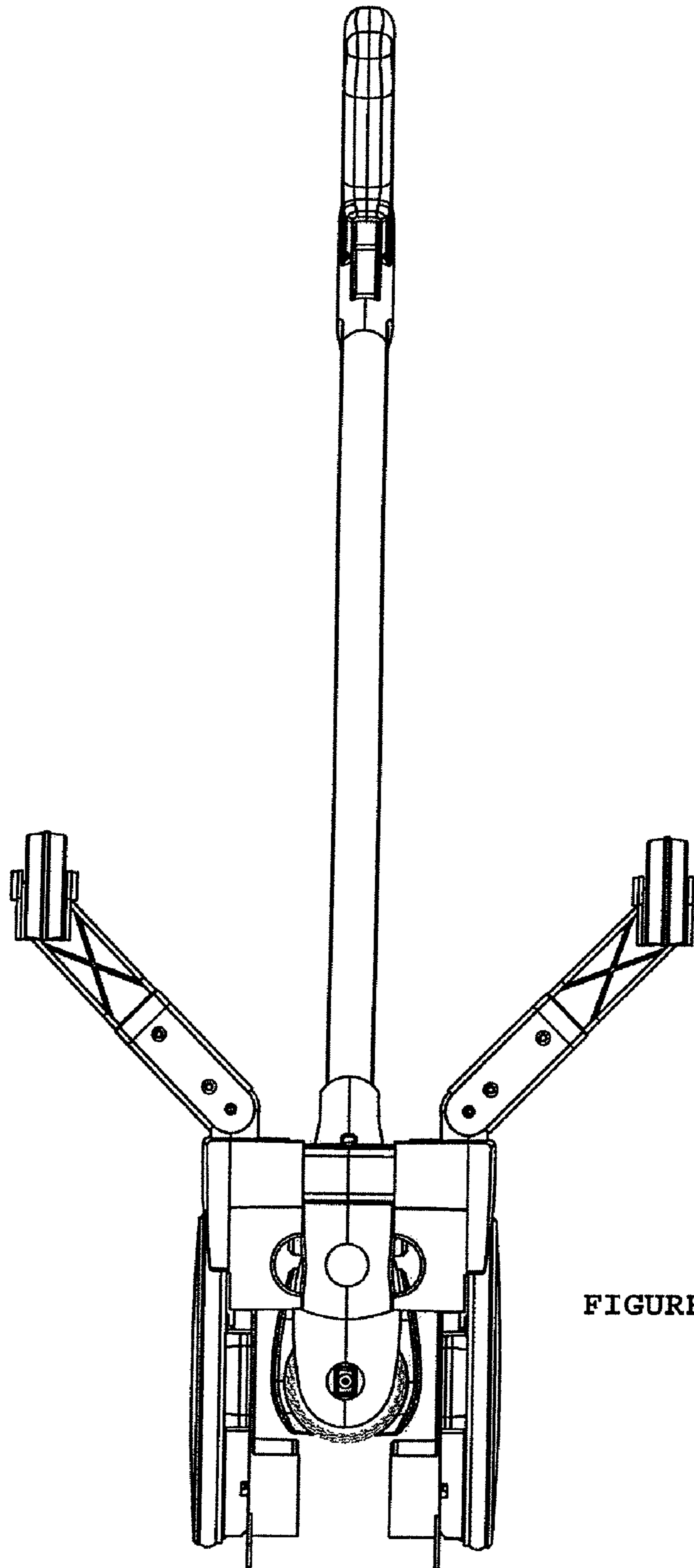


FIGURE 5

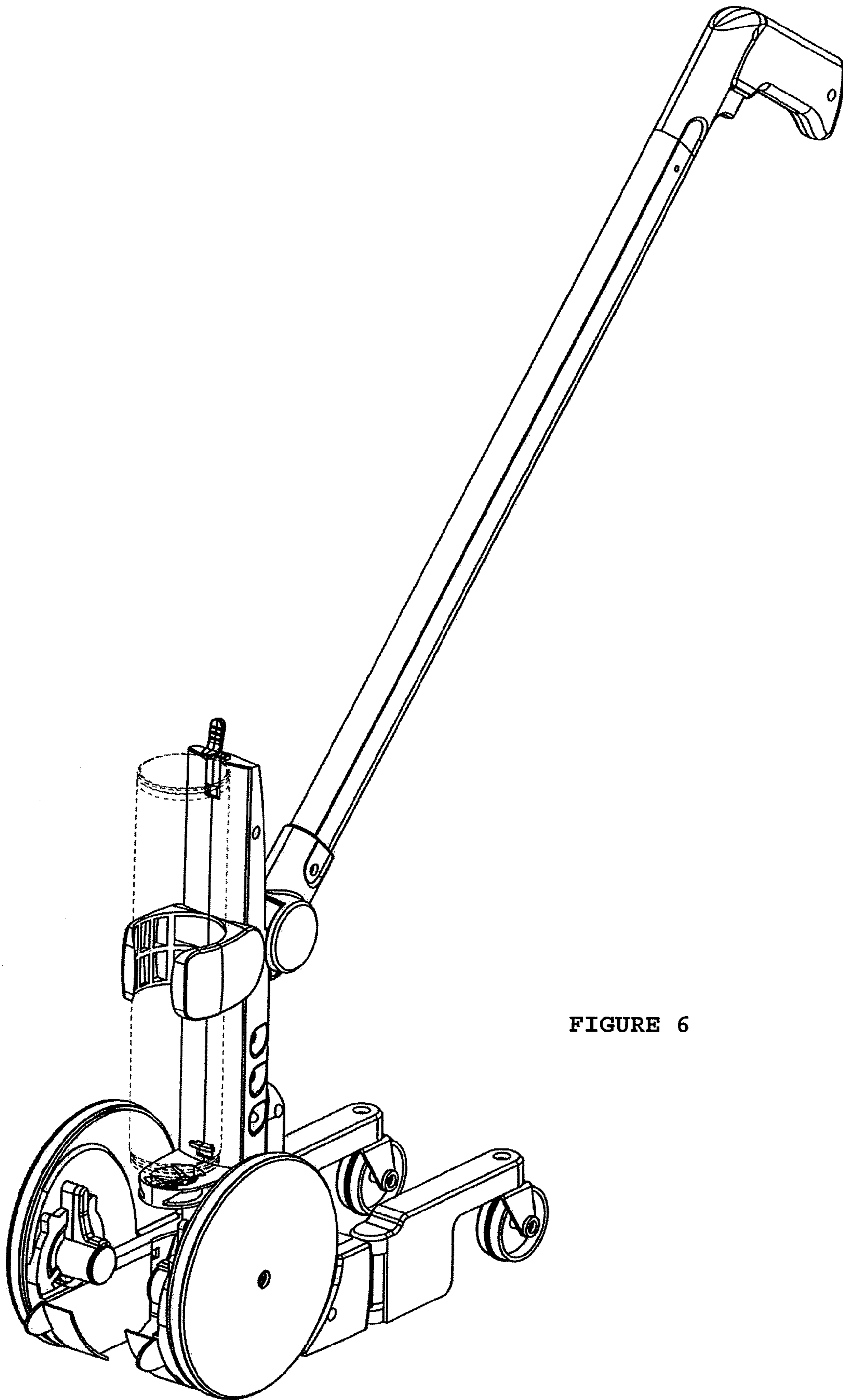


FIGURE 6



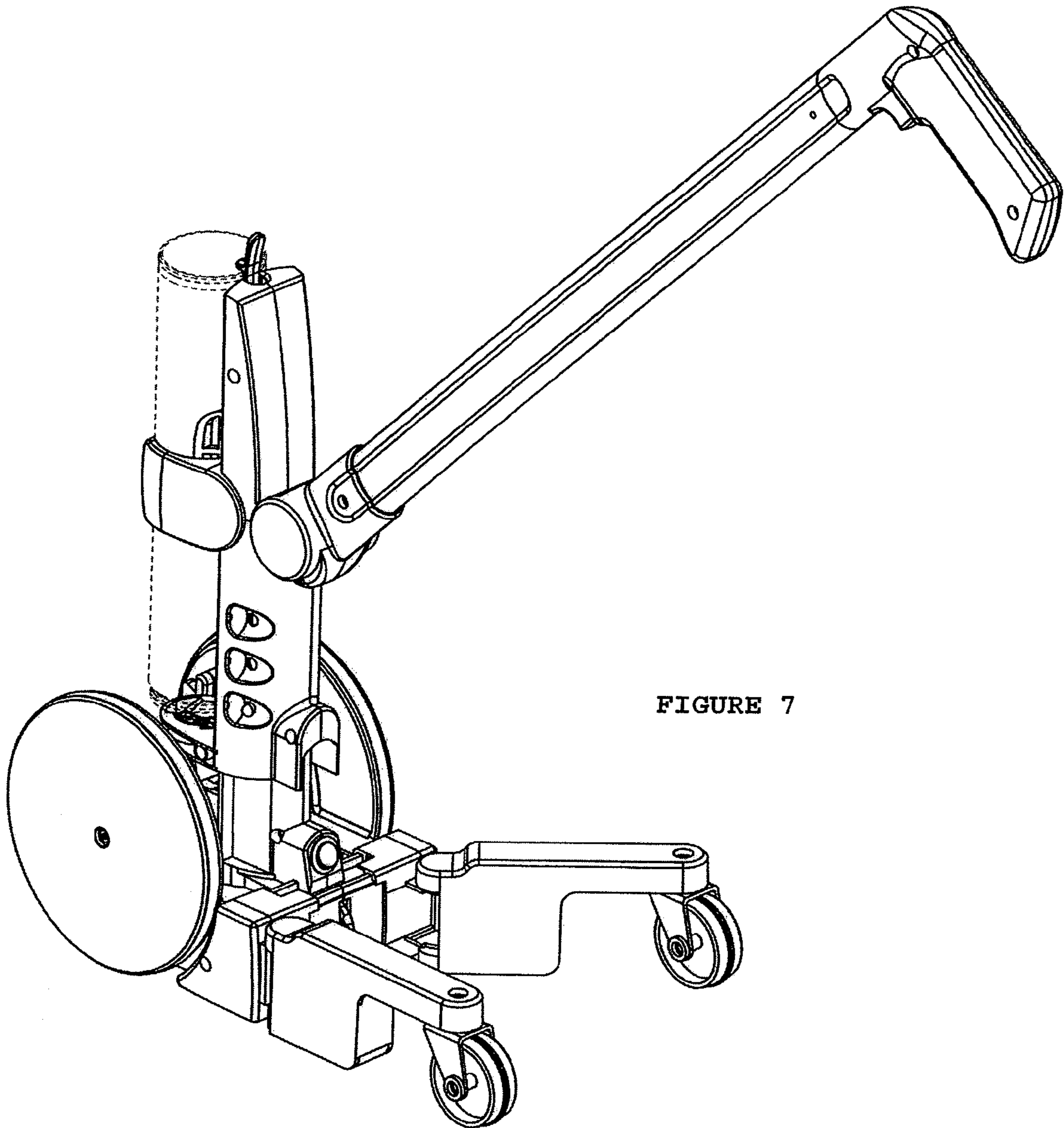


FIGURE 7

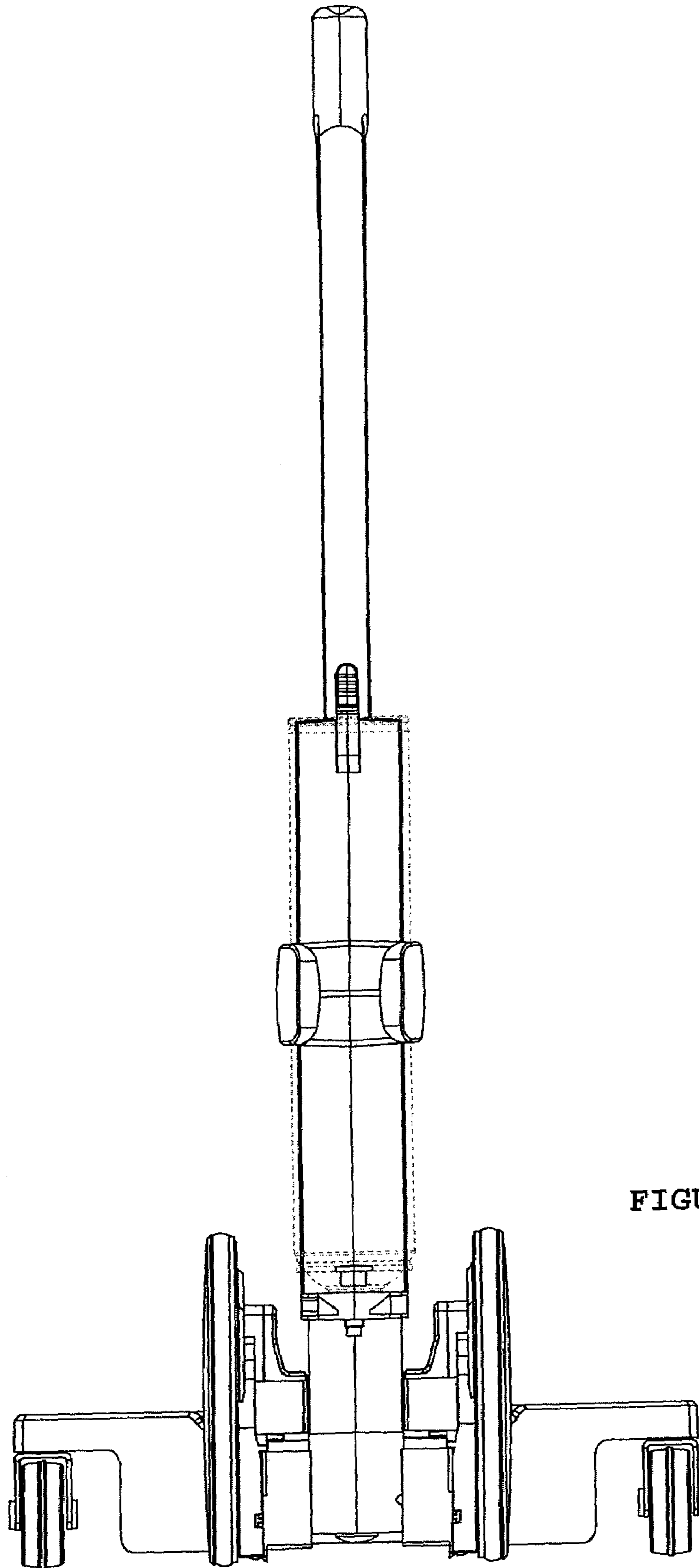


FIGURE 8