



US00D565601S

(12) **United States Design Patent**  
**Mandsfelt**

(10) **Patent No.:** **US D565,601 S**

(45) **Date of Patent:** **\*\* Apr. 1, 2008**

(54) **COMPRESSOR**

(75) Inventor: **Steen Mandsfelt**, Graested (DK)

(73) Assignee: **Active Tools International ( HK ) Ltd.**, Causeway Bay (HK)

(\*\*) Term: **14 Years**

(21) Appl. No.: **29/266,224**

(22) Filed: **Sep. 15, 2006**

**Related U.S. Application Data**

(62) Division of application No. 29/253,282, filed on Feb. 3, 2006, now Pat. No. Des. 540,822.

(51) **LOC (8) Cl.** ..... **15-02**

(52) **U.S. Cl.** ..... **D15/9**

(58) **Field of Classification Search** ..... D15/7-9;  
D23/232, 231; 417/359, 415-416, 410.1,  
417/321, 265, 405

See application file for complete search history.

(56) **References Cited**

**U.S. PATENT DOCUMENTS**

D352,295 S \* 11/1994 Morgan ..... D15/9  
D403,330 S \* 12/1998 Williams ..... D15/9  
D403,331 S \* 12/1998 Williams ..... D15/9

D407,412 S \* 3/1999 Wang ..... D15/9  
D434,423 S \* 11/2000 Wang ..... D15/9  
D446,793 S \* 8/2001 Matthew et al. .... D15/9  
D447,490 S \* 9/2001 Matthew et al. .... D15/9  
D447,752 S \* 9/2001 Matthew et al. .... D15/9  
D515,103 S \* 2/2006 Chou ..... D15/9

\* cited by examiner

*Primary Examiner*—Ralf Seifert

(74) *Attorney, Agent, or Firm*—Dykema Gossett PLLC

(57) **CLAIM**

The ornamental design of a compressor, as shown and described.

**DESCRIPTION**

FIG. 1 is a right side elevational view of a compressor showing my new design;

FIG. 2 is a front elevational view thereof;

FIG. 3 is a left side elevational view thereof;

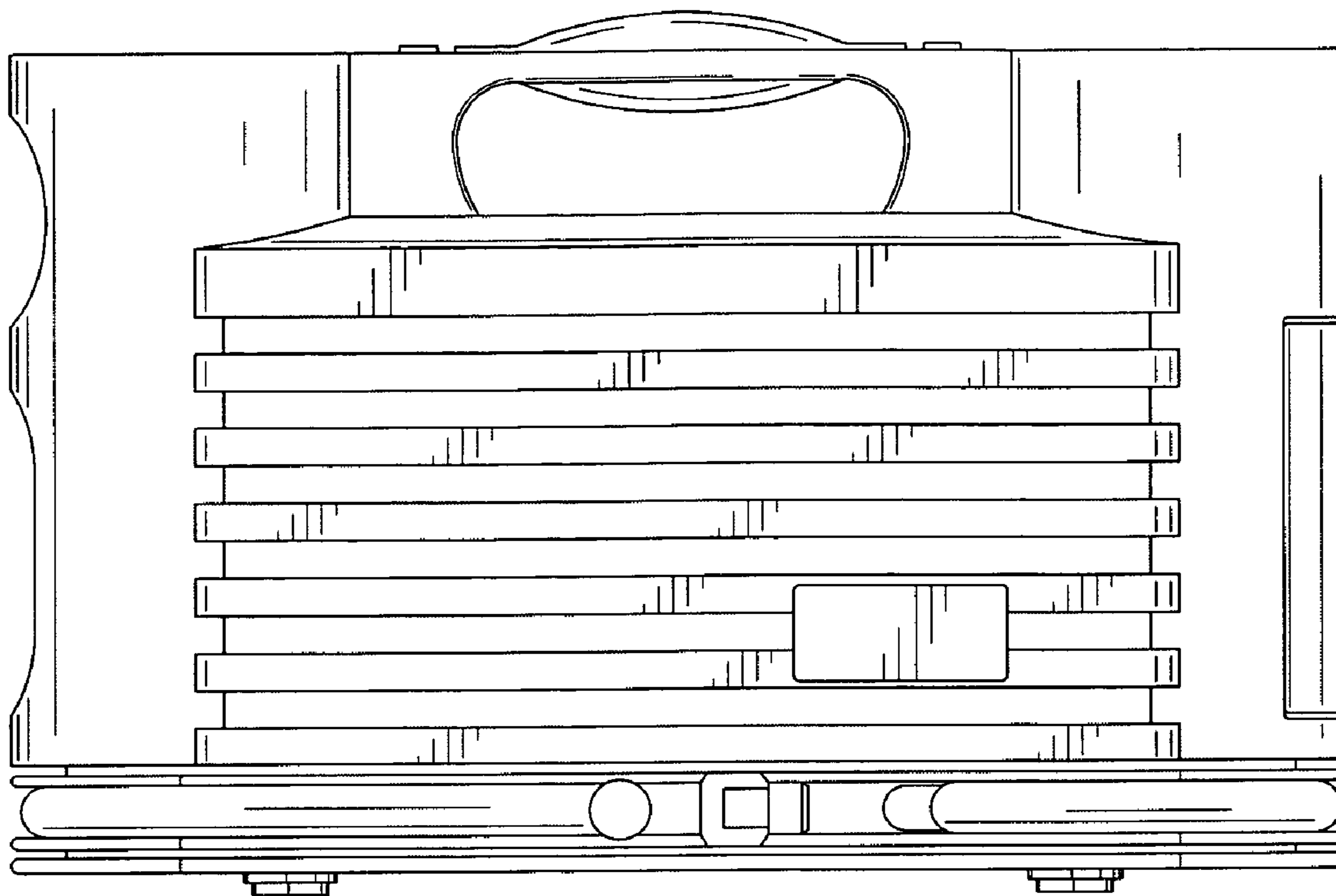
FIG. 4 is a top plan view thereof;

FIG. 5 is a bottom plane view thereof;

FIG. 6 is a rear elevational view thereof; and,

FIG. 7 is a perspective left side view thereof with left side cover removed.

**1 Claim, 4 Drawing Sheets**



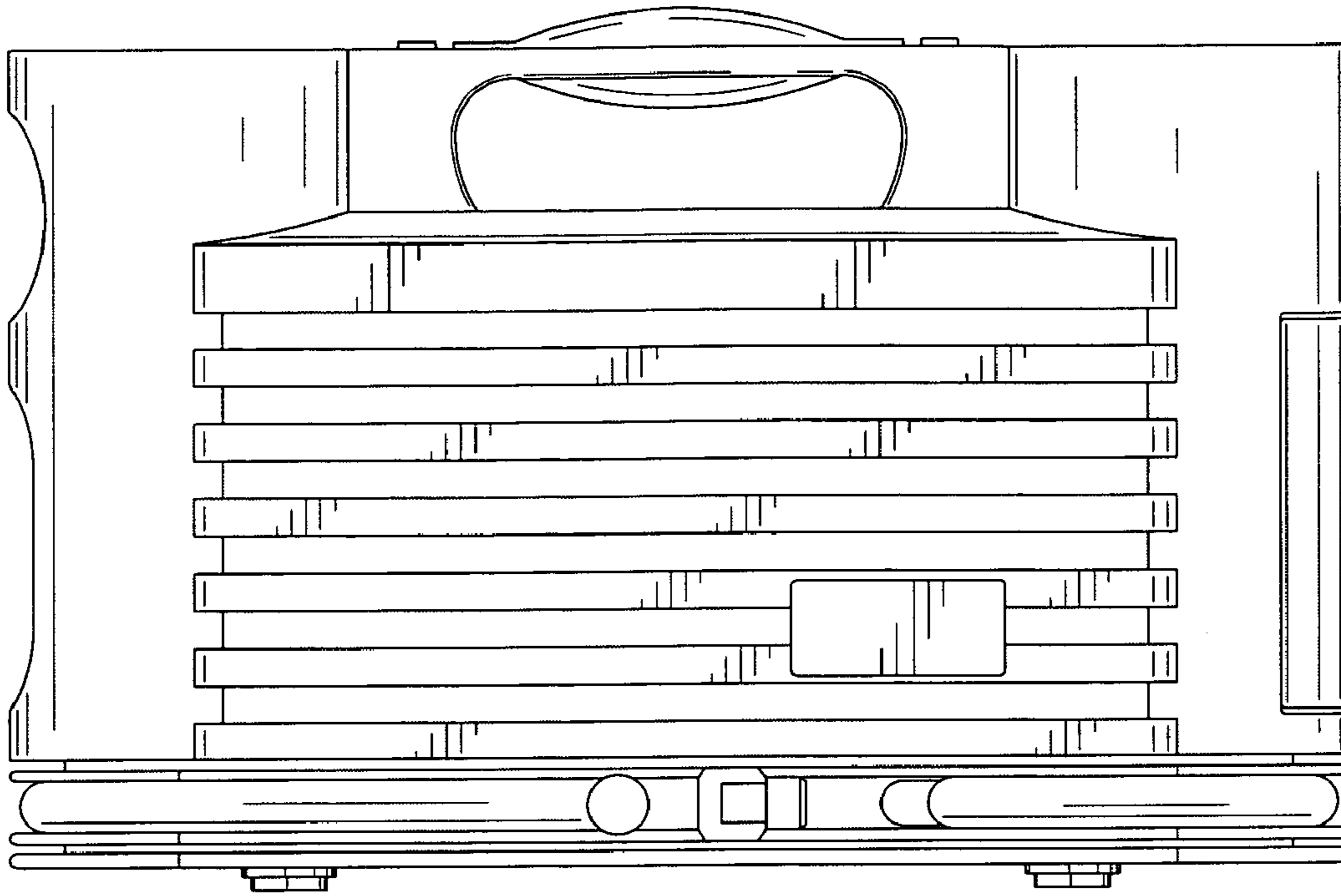


FIG. 1

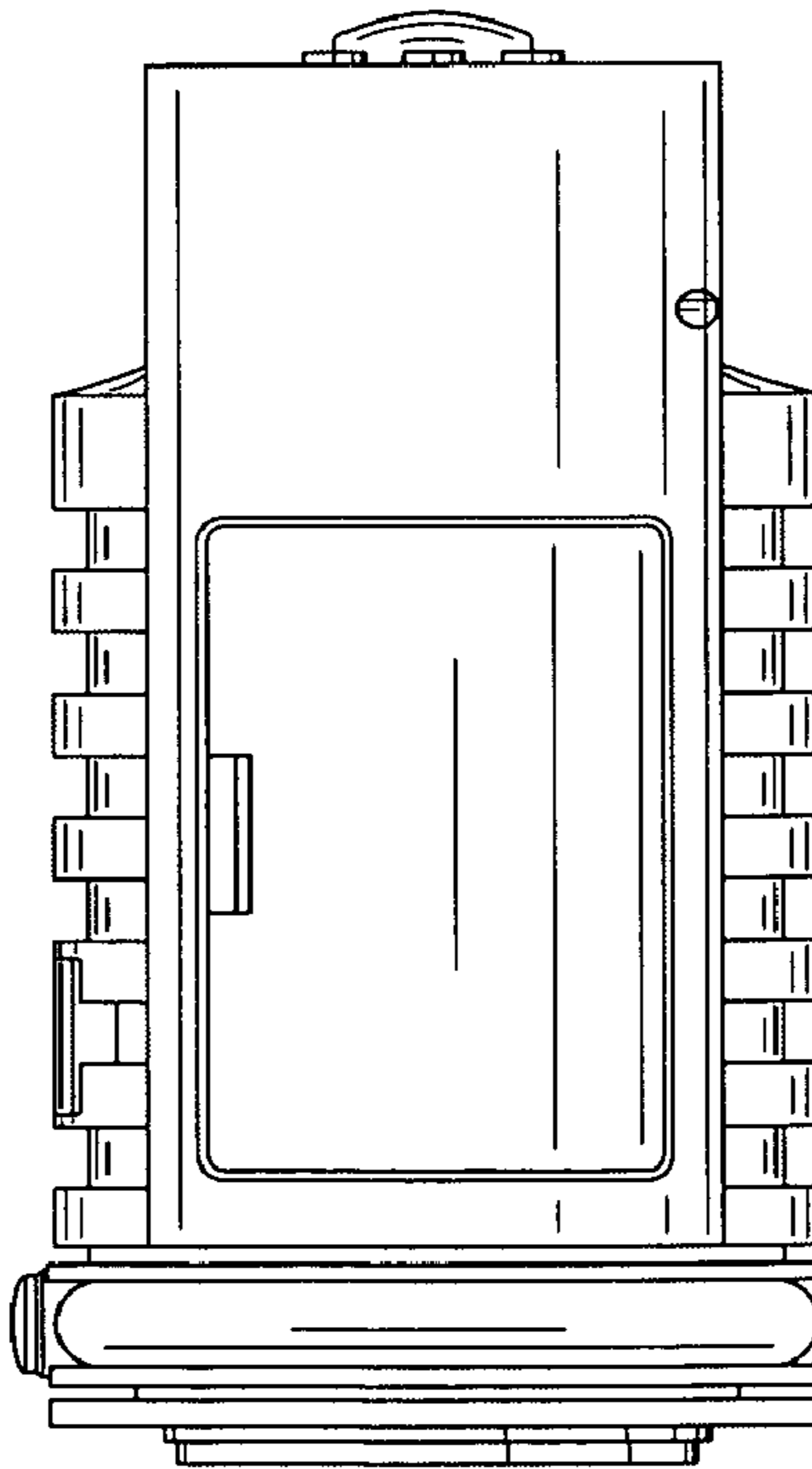
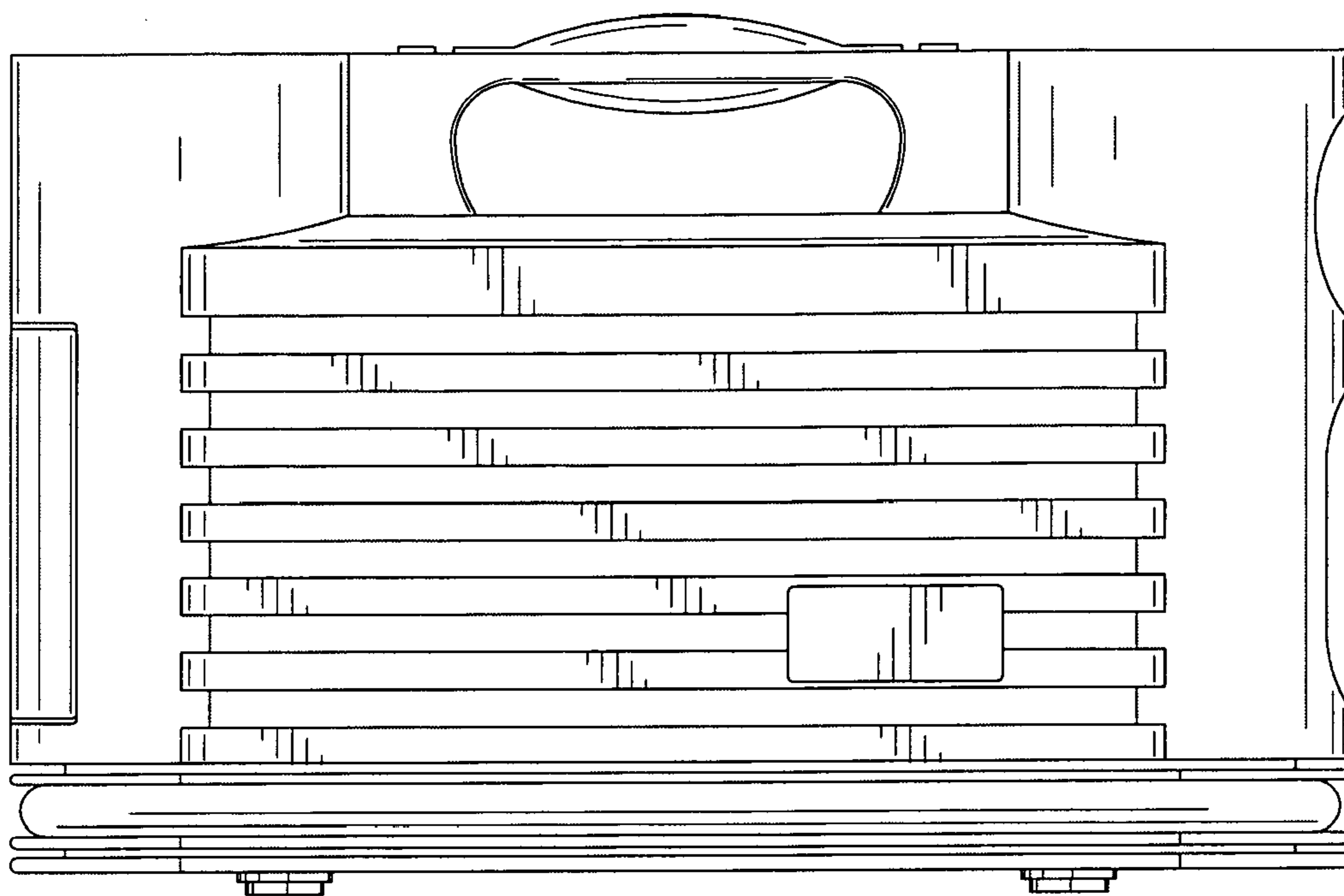
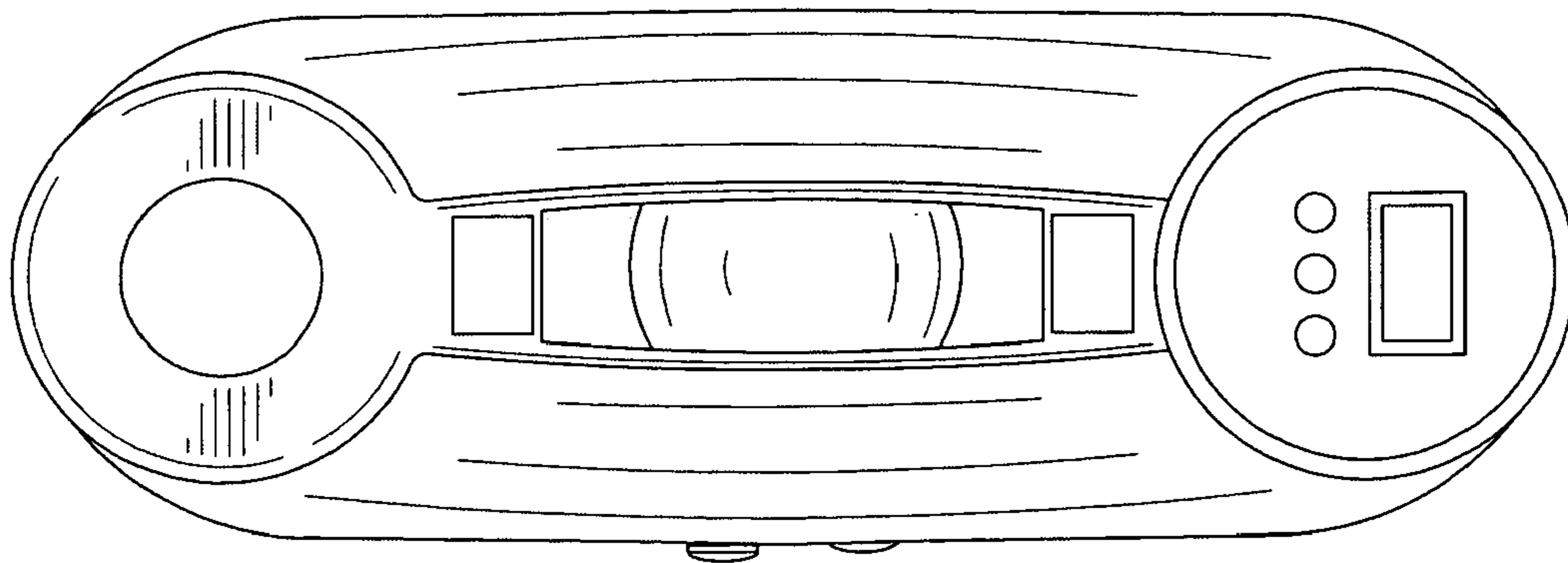


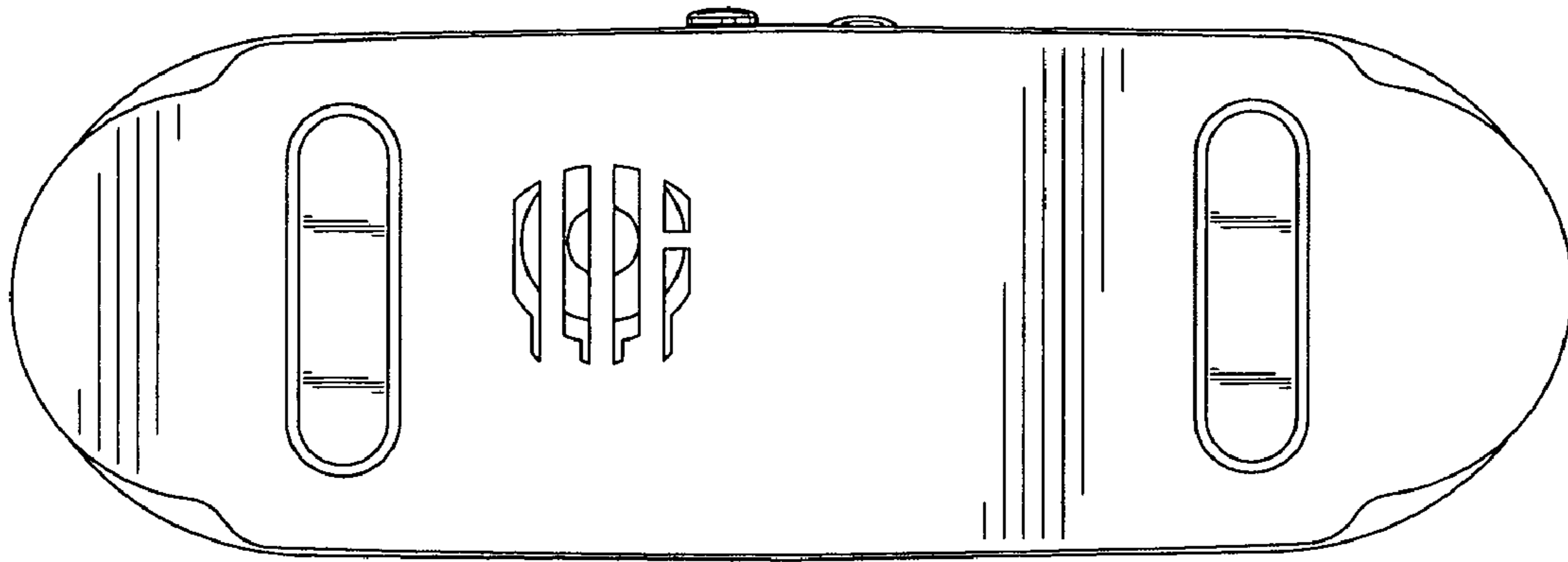
FIG. 2



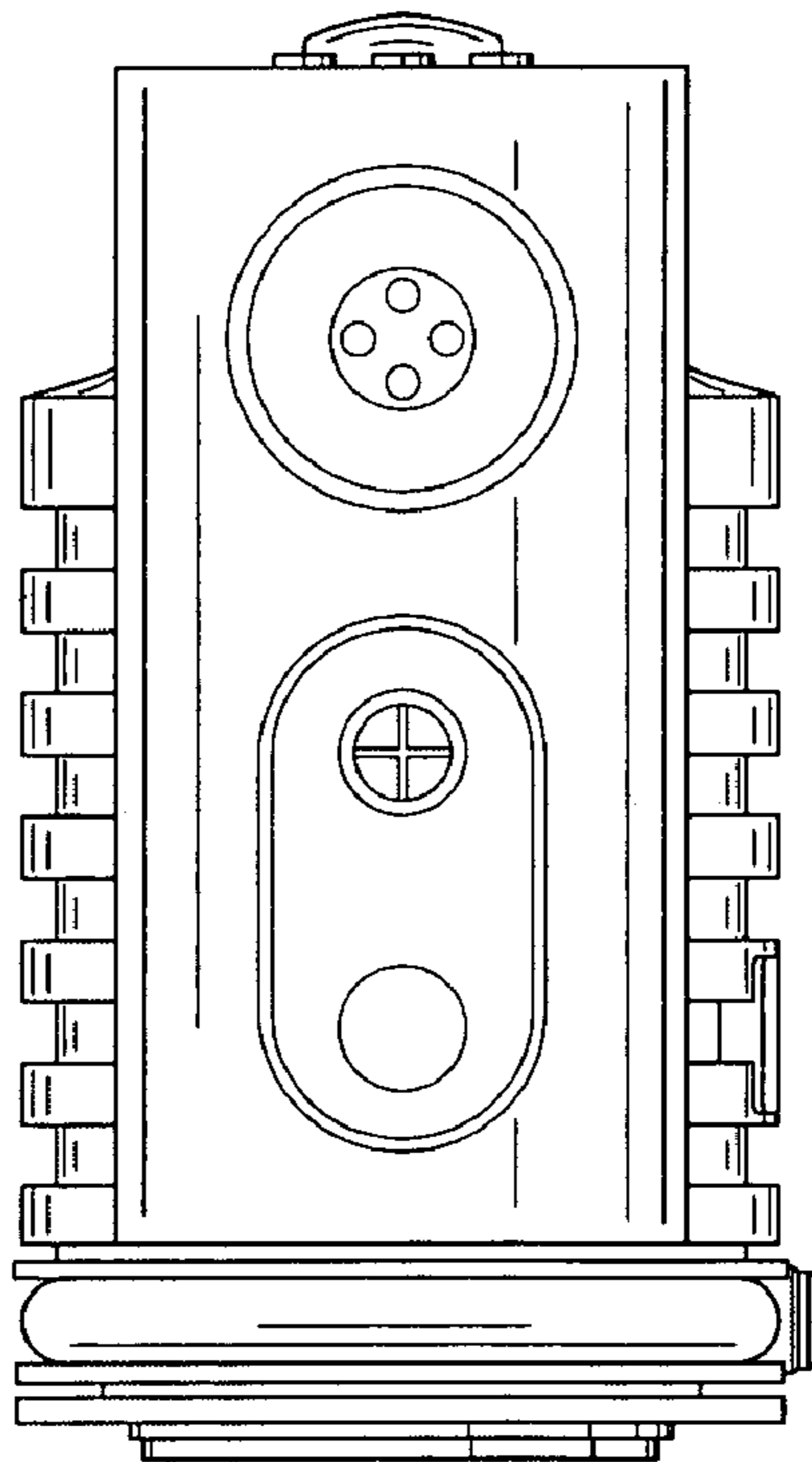
**FIG. 3**



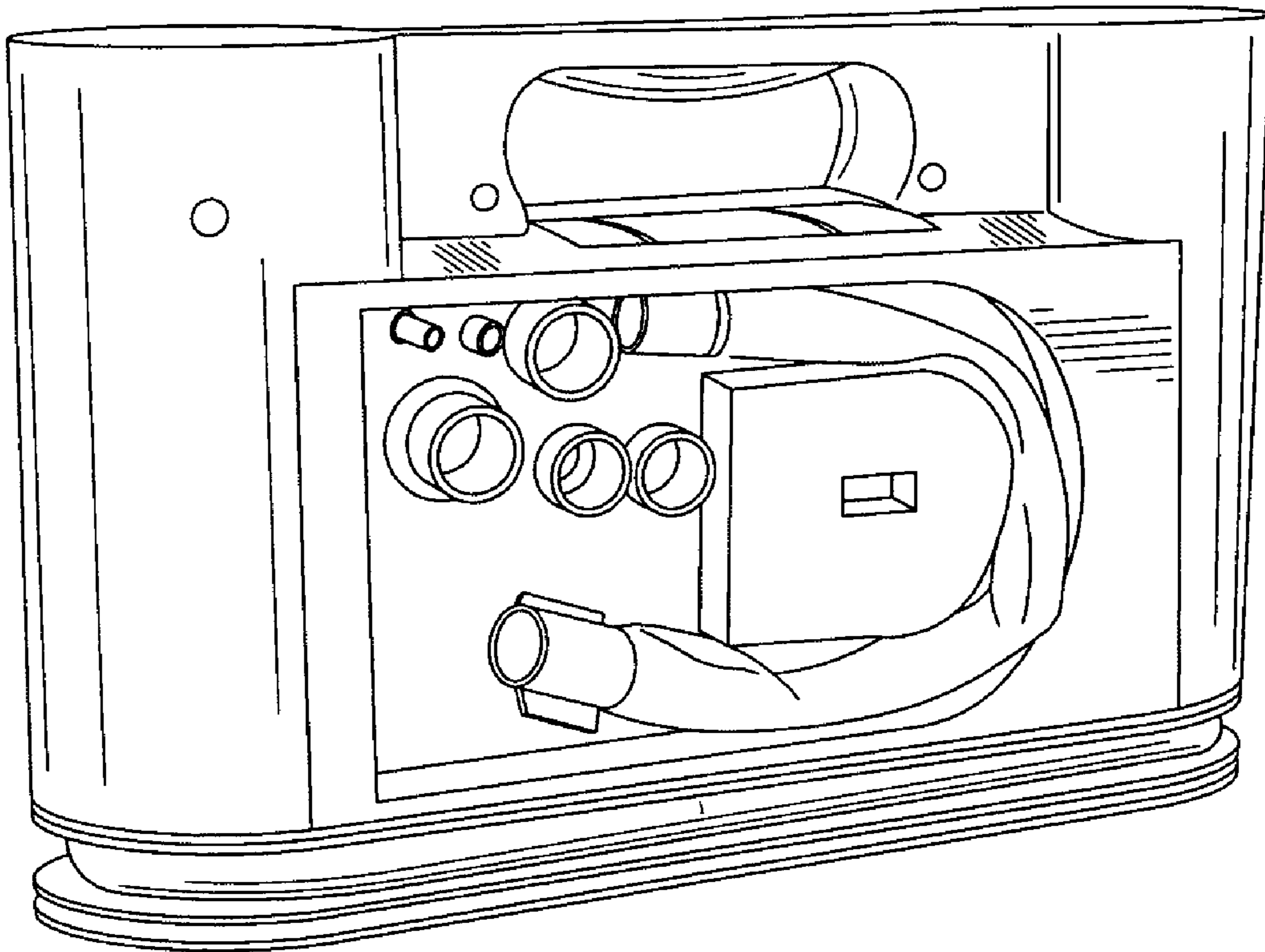
**FIG. 4**



**FIG. 5**



**FIG. 6**



**FIG. 7**