



US00D565600S

(12) **United States Design Patent**
Tazioli

(10) **Patent No.:** **US D565,600 S**

(45) **Date of Patent:** **** Apr. 1, 2008**

(54) **PUMP FOR LIQUIDS**

(75) Inventor: **Stefano Tazioli**, Rosignano Marittimo
(IT)

(73) Assignee: **Leader Pumps Group S.p.A.**, Bientina
(IT)

(**) Term: **14 Years**

(21) Appl. No.: **29/272,065**

(22) Filed: **Feb. 1, 2007**

(30) **Foreign Application Priority Data**

Aug. 7, 2006 (EP) 000572078

(51) **LOC (8) Cl.** **15-02**

(52) **U.S. Cl.** **D15/7**

(58) **Field of Classification Search** D15/7-9;
D23/232, 231; 417/359, 415-416, 410.1,
417/321, 265, 405

See application file for complete search history.

(56) **References Cited**

U.S. PATENT DOCUMENTS

D252,811 S * 9/1979 Arakawa D15/7

D328,602 S * 8/1992 Peterson D15/7
D516,091 S * 2/2006 Leasure et al. D15/9
D541,818 S * 5/2007 Rhea et al. D15/7

* cited by examiner

Primary Examiner—Ralf Seifert

(74) *Attorney, Agent, or Firm*—Modiano & Associati; Albert
Josif; Daniel J. O’Byrne

(57) **CLAIM**

The ornamental design for the “pump for liquids”, as shown
and described.

DESCRIPTION

FIG. 1 is a perspective view of the pump for liquids;

FIG. 2 is a front elevation view thereof;

FIG. 3 is a rear elevation view thereof;

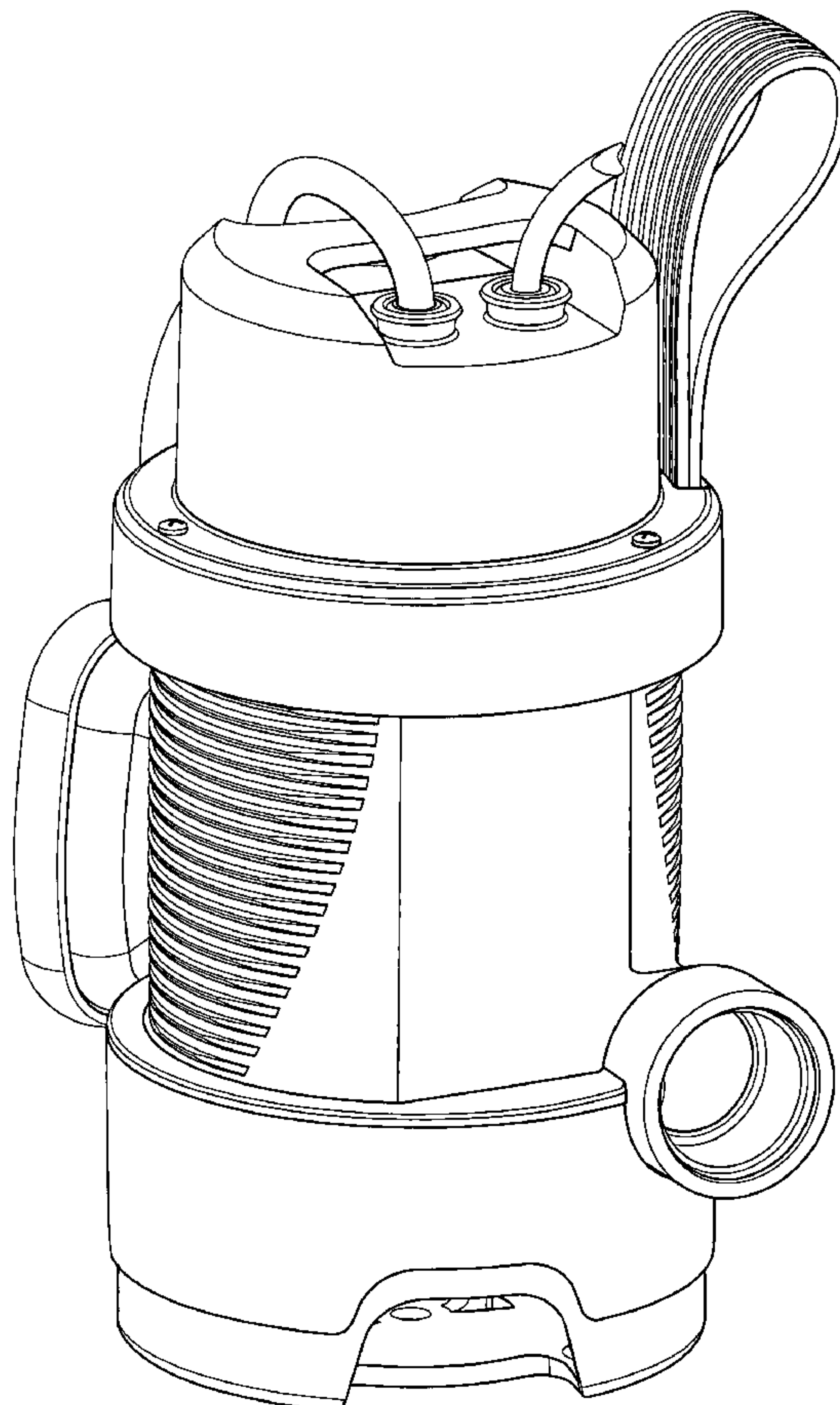
FIG. 4 is a right side elevation view thereof;

FIG. 5 is a left side elevation view thereof;

FIG. 6 is a plan view thereof, taken from above; and,

FIG. 7 is a plan view thereof, taken from below.

1 Claim, 7 Drawing Sheets



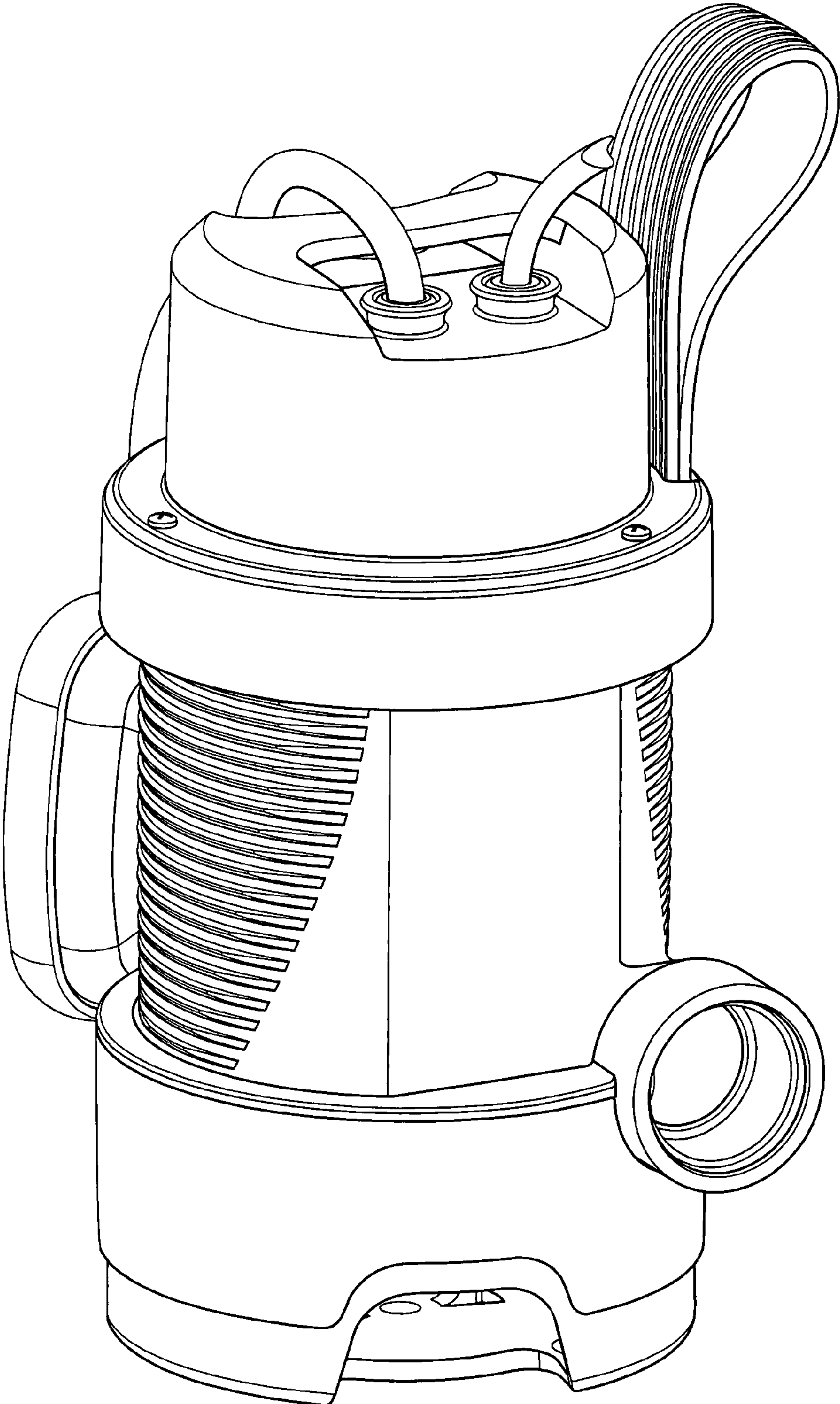


Fig. 1

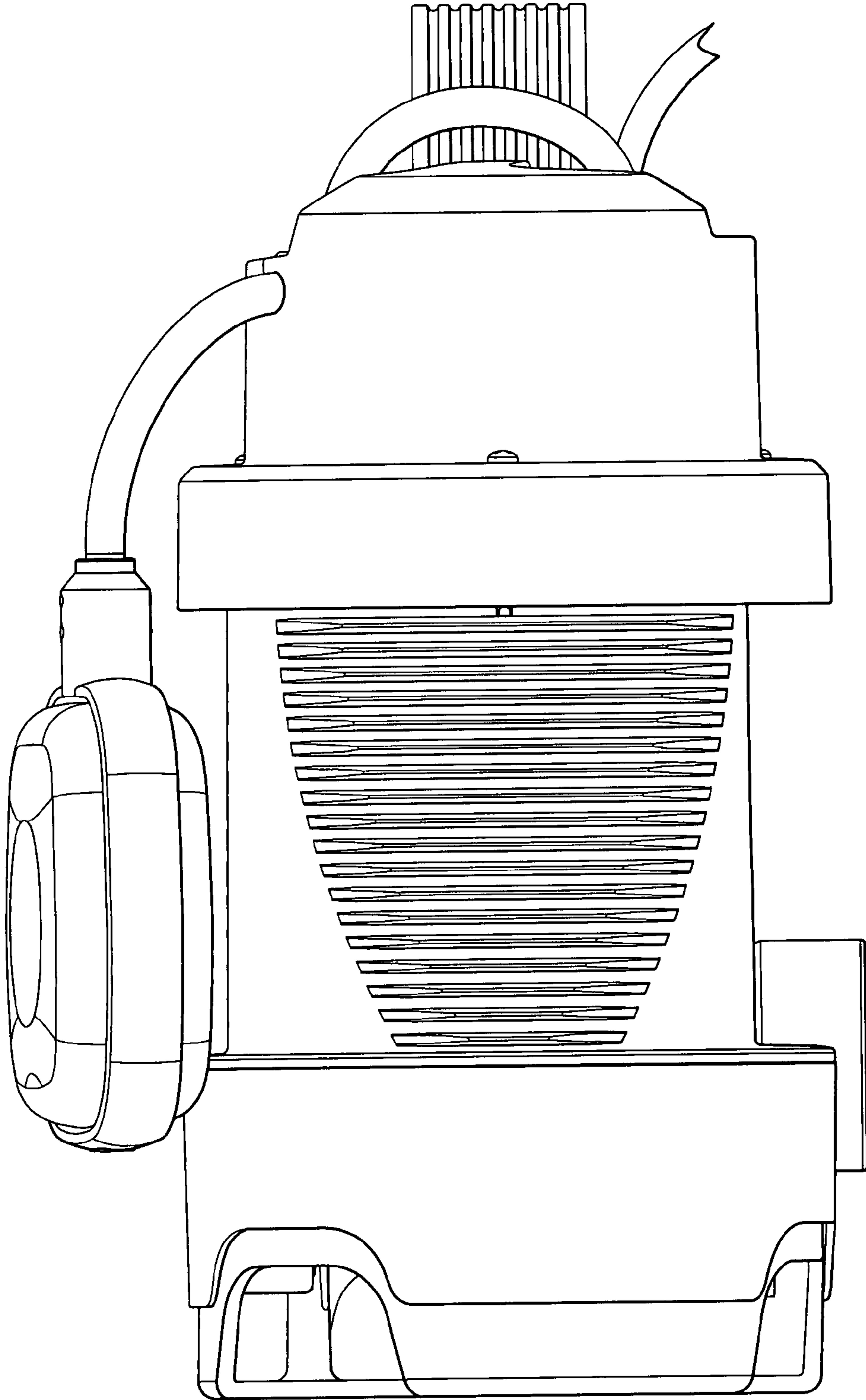


Fig. 2

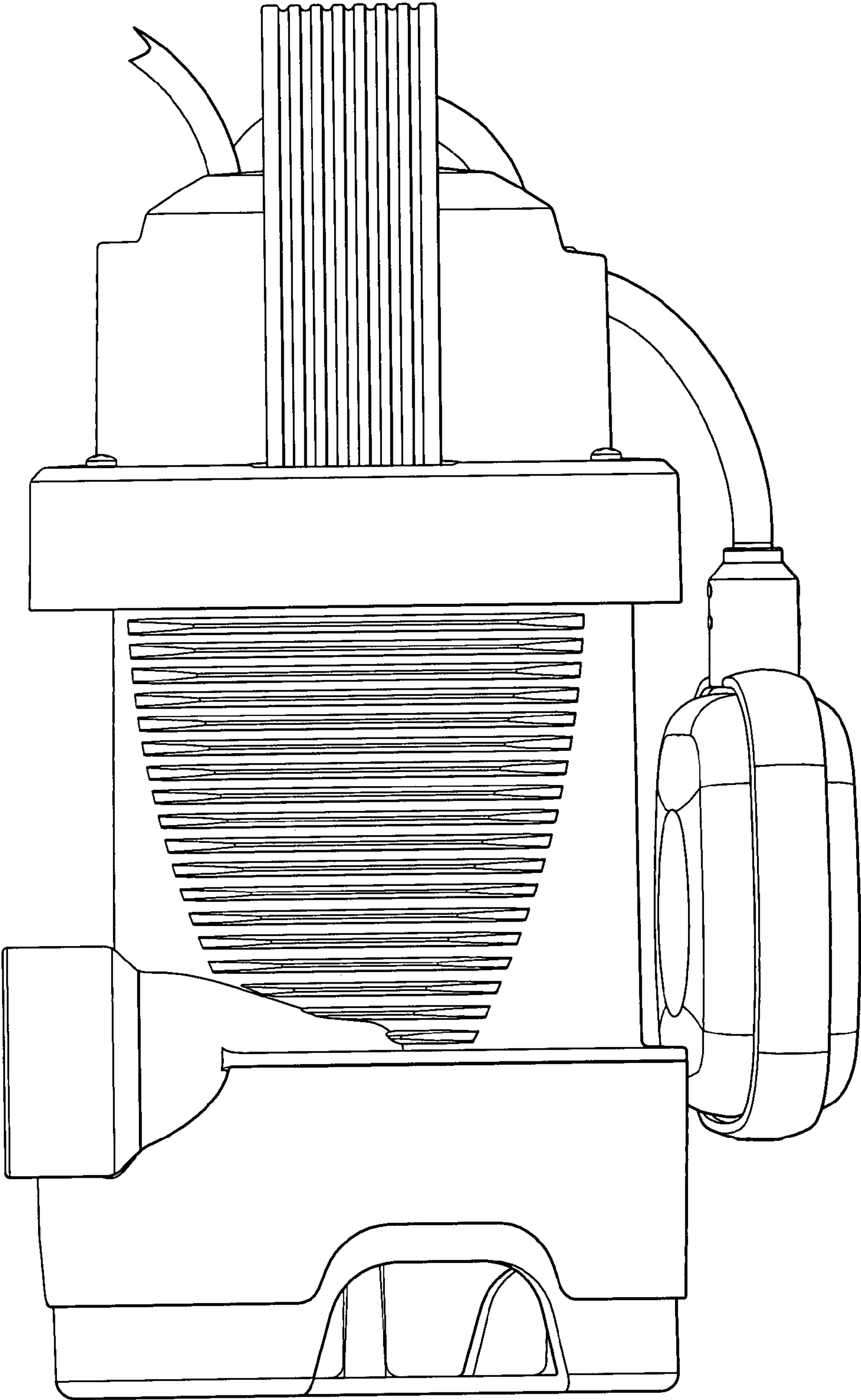


Fig. 3

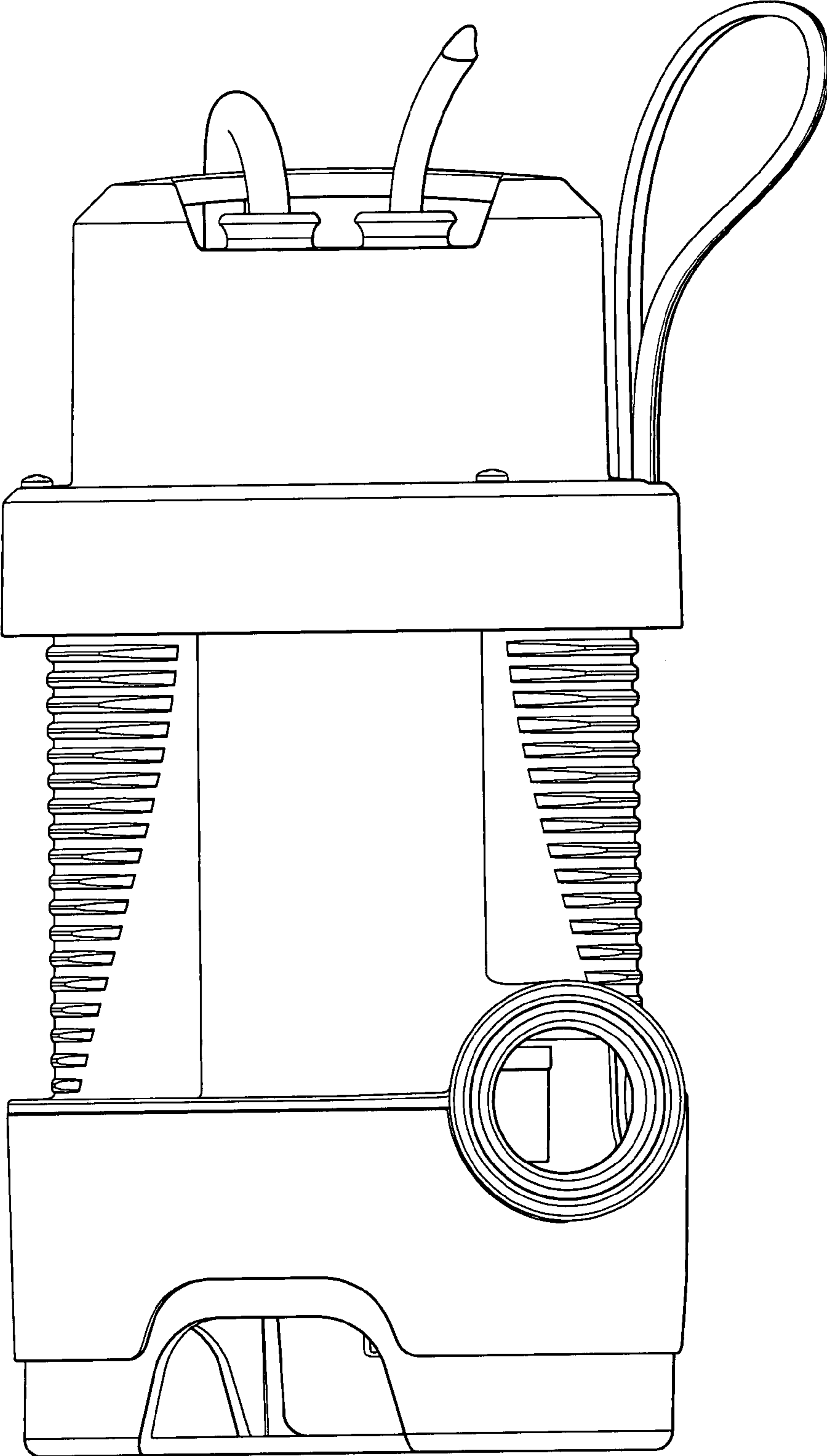


Fig. 4

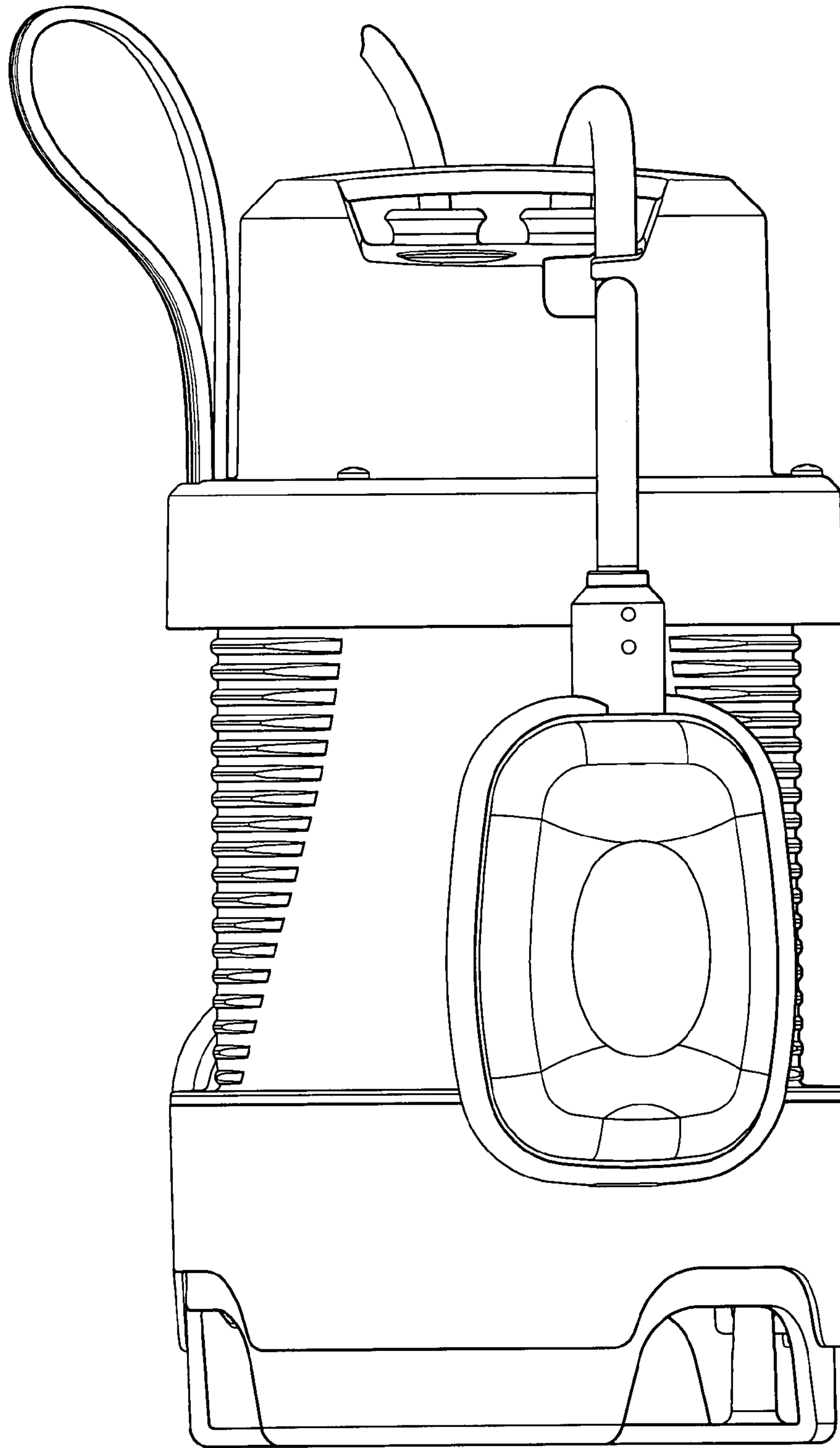


Fig. 5

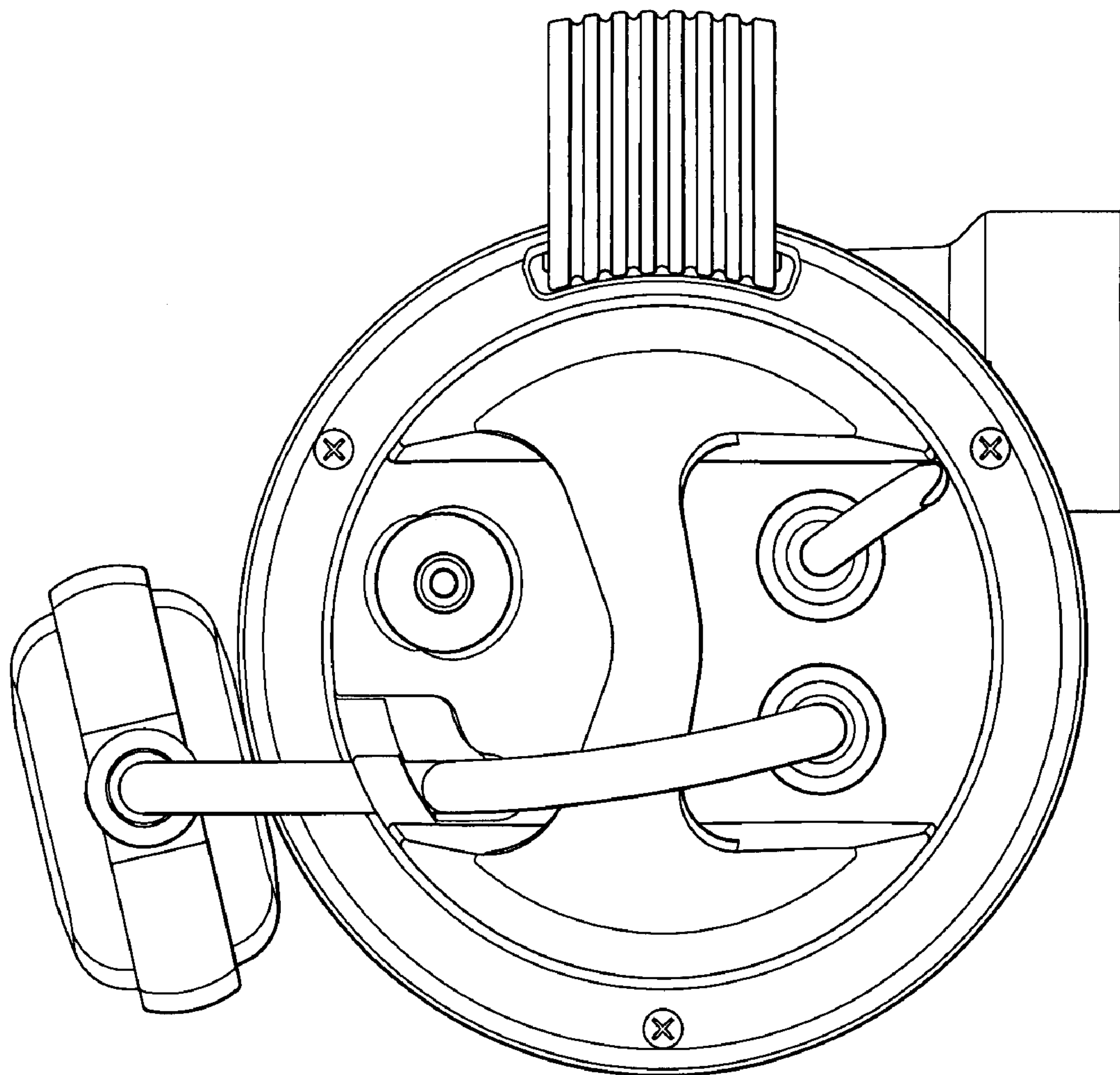


Fig. 6

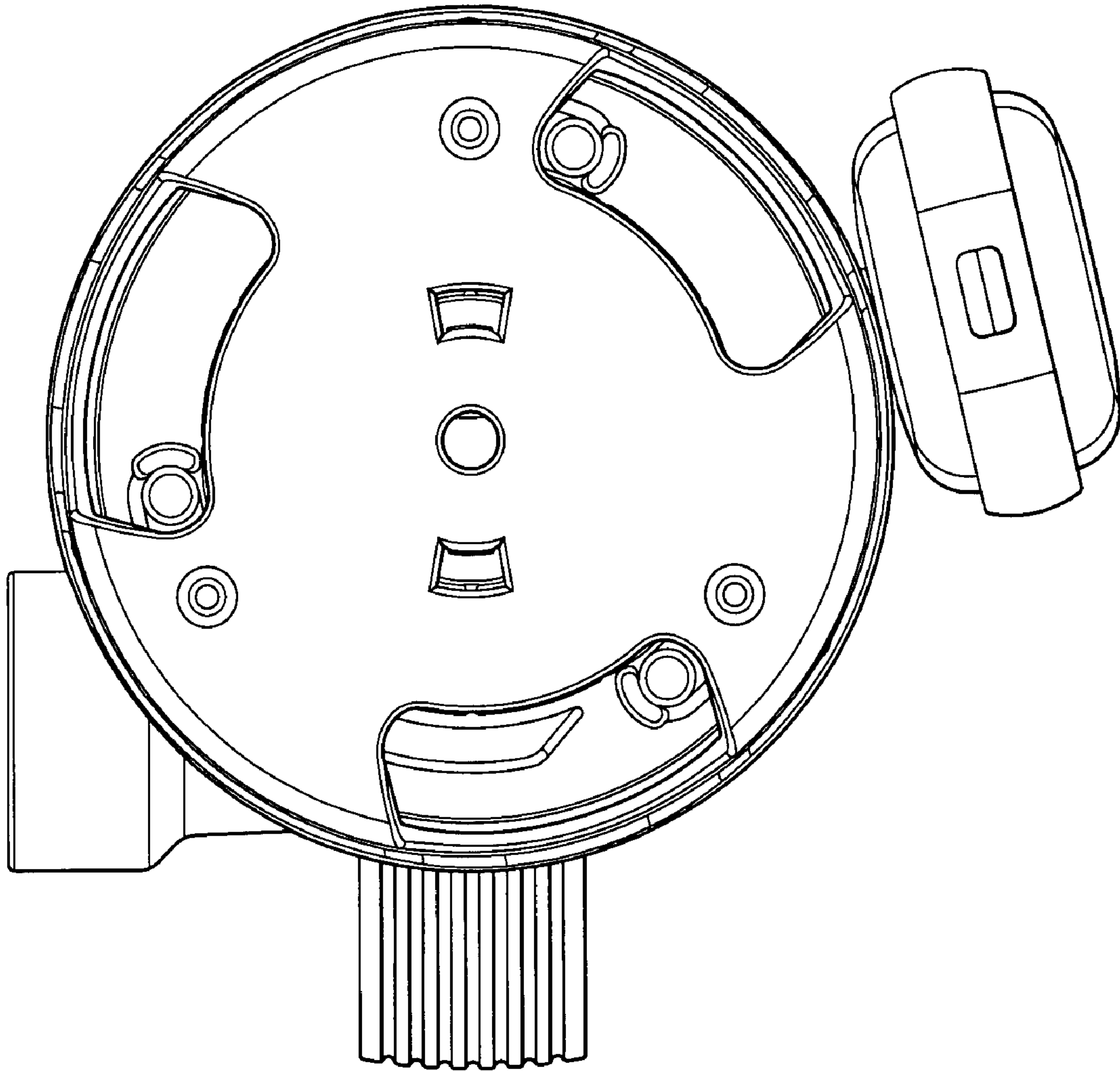


Fig. 7