

US00D565596S

(12) **United States Design Patent**
Kim

(10) **Patent No.:** **US D565,596 S**

(45) **Date of Patent:** **** Apr. 1, 2008**

(54) **MULTIMEDIA PLAYER**

(75) Inventor: **Han Kim**, Seoul (KR)

(73) Assignee: **Samsung Electronics Co., Ltd.**,
Suwon-Si (KR)

(**) Term: **14 Years**

(21) Appl. No.: **29/287,315**

(22) Filed: **Jul. 23, 2007**

(51) **LOC (8) Cl.** **14-03**

(52) **U.S. Cl.** **D14/496**

(58) **Field of Classification Search** D14/496,
D14/401, 435, 474, 483, 217, 137, 138, 160,
D14/168; 345/156, 169, 173-179, 905; 715/727-729,
715/864; 455/11.1, 344-347, 93, 95; 370/342-344;
369/1, 2, 6, 12; 463/43-47; 273/148 B
See application file for complete search history.

(56) **References Cited**

U.S. PATENT DOCUMENTS

- 6,591,085 B1 * 7/2003 Grady 455/42
- D497,618 S * 10/2004 Andre et al. D14/496
- 6,825,832 B2 * 11/2004 Chung et al. 345/168
- D506,476 S * 6/2005 Andre et al. D14/496
- D510,584 S * 10/2005 Tierney D14/496

- D513,267 S * 12/2005 Chen D14/496
- D515,546 S * 2/2006 Mu D14/156
- D516,579 S * 3/2006 Nakamura D14/496
- 7,046,230 B2 * 5/2006 Zadesky et al. 345/156
- 7,184,802 B2 * 2/2007 Chadha 455/575.1

* cited by examiner

Primary Examiner—Prabhakar Deshmukh

(74) *Attorney, Agent, or Firm*—Staas & Halsey LLP

(57) **CLAIM**

The ornamental design for a multimedia player, as shown and described.

DESCRIPTION

FIG. 1 is a perspective view of a multimedia player according to my new design;

FIG. 2 is a front elevational view thereof;

FIG. 3 is a rear elevational view thereof;

FIG. 4 is a left side elevational view thereof;

FIG. 5 is a right side elevational view thereof;

FIG. 6 is a top plan view thereof; and,

FIG. 7 is a bottom plan view thereof.

1 Claim, 7 Drawing Sheets

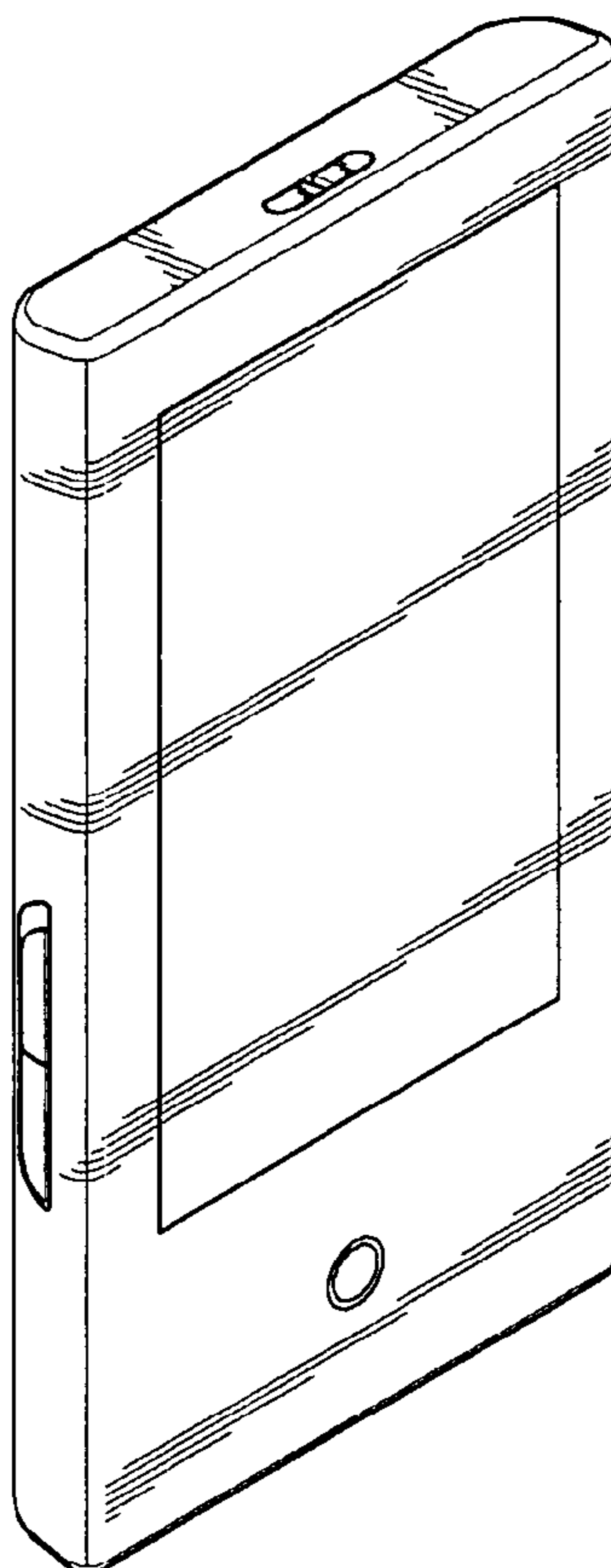


FIG. 1

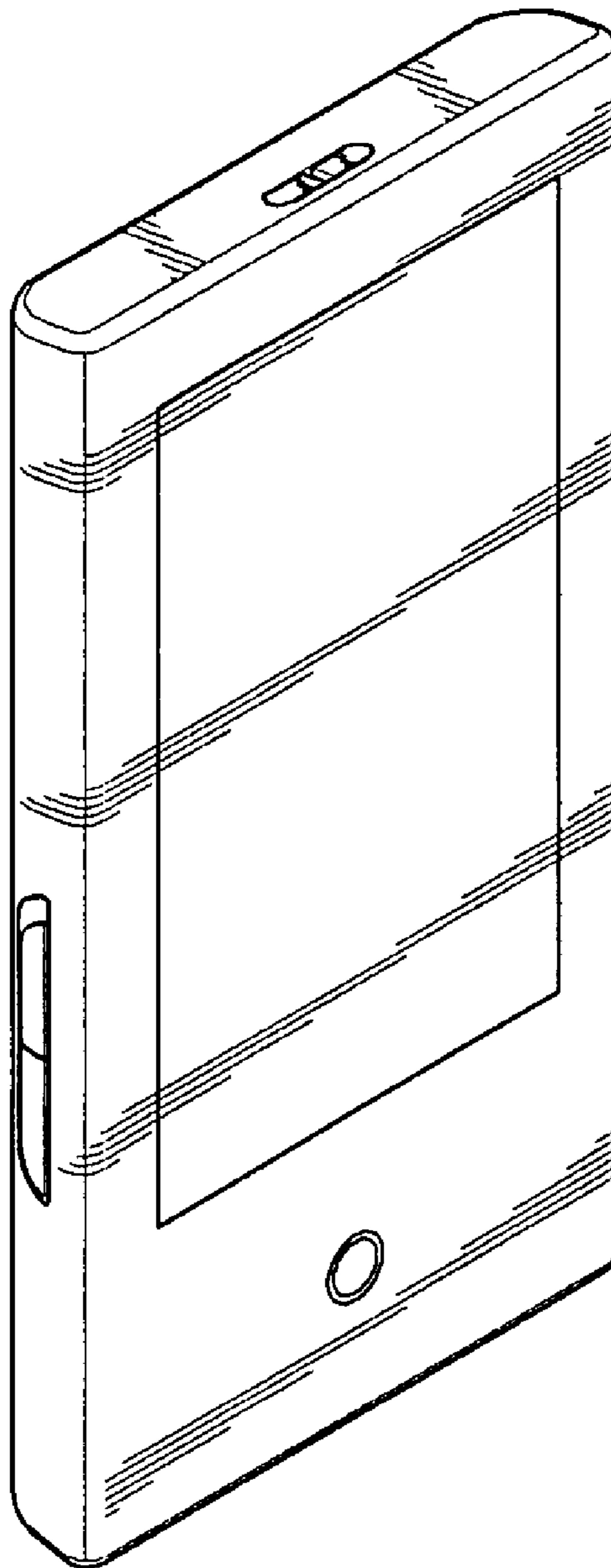


FIG. 2

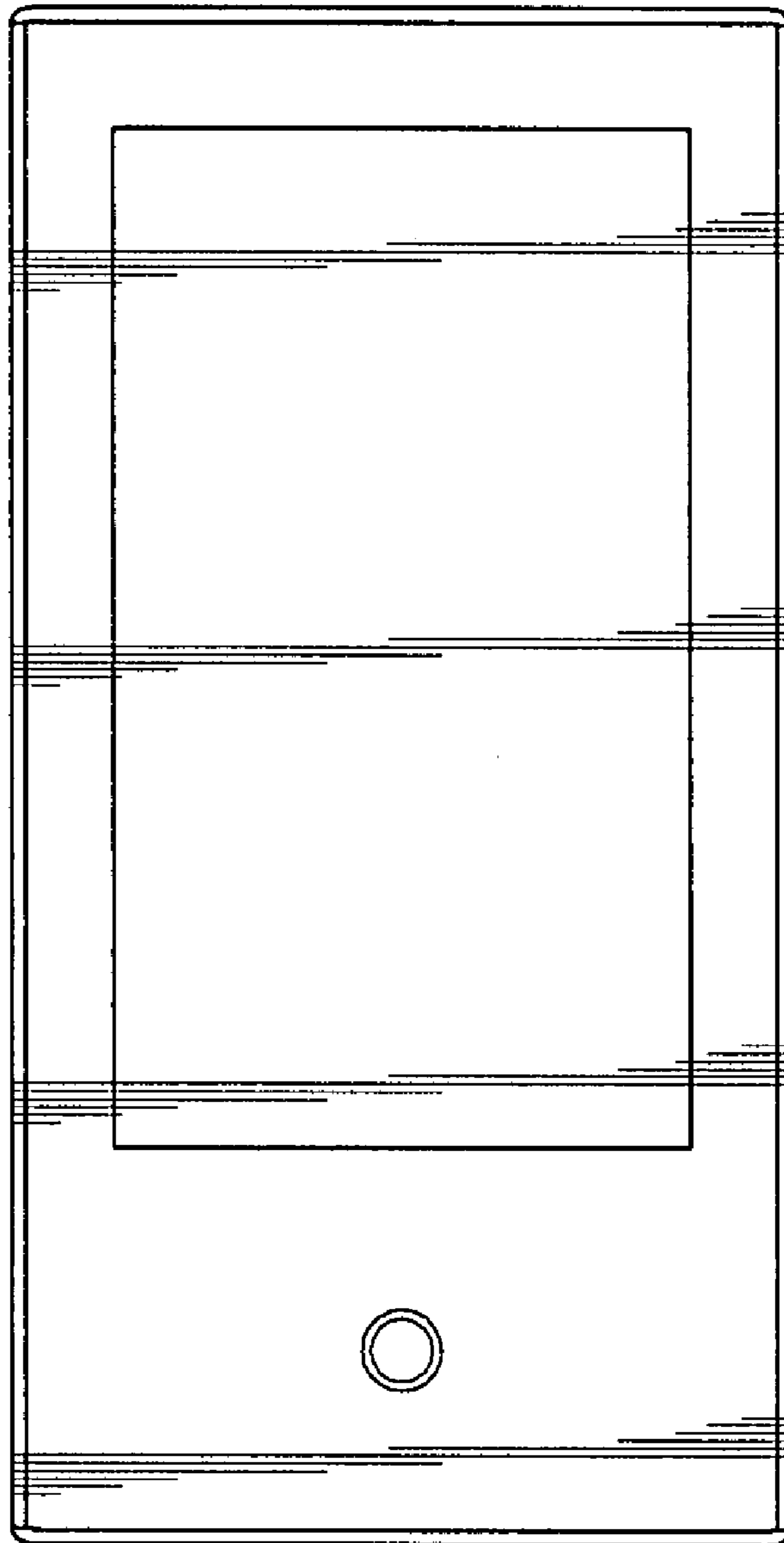


FIG. 3

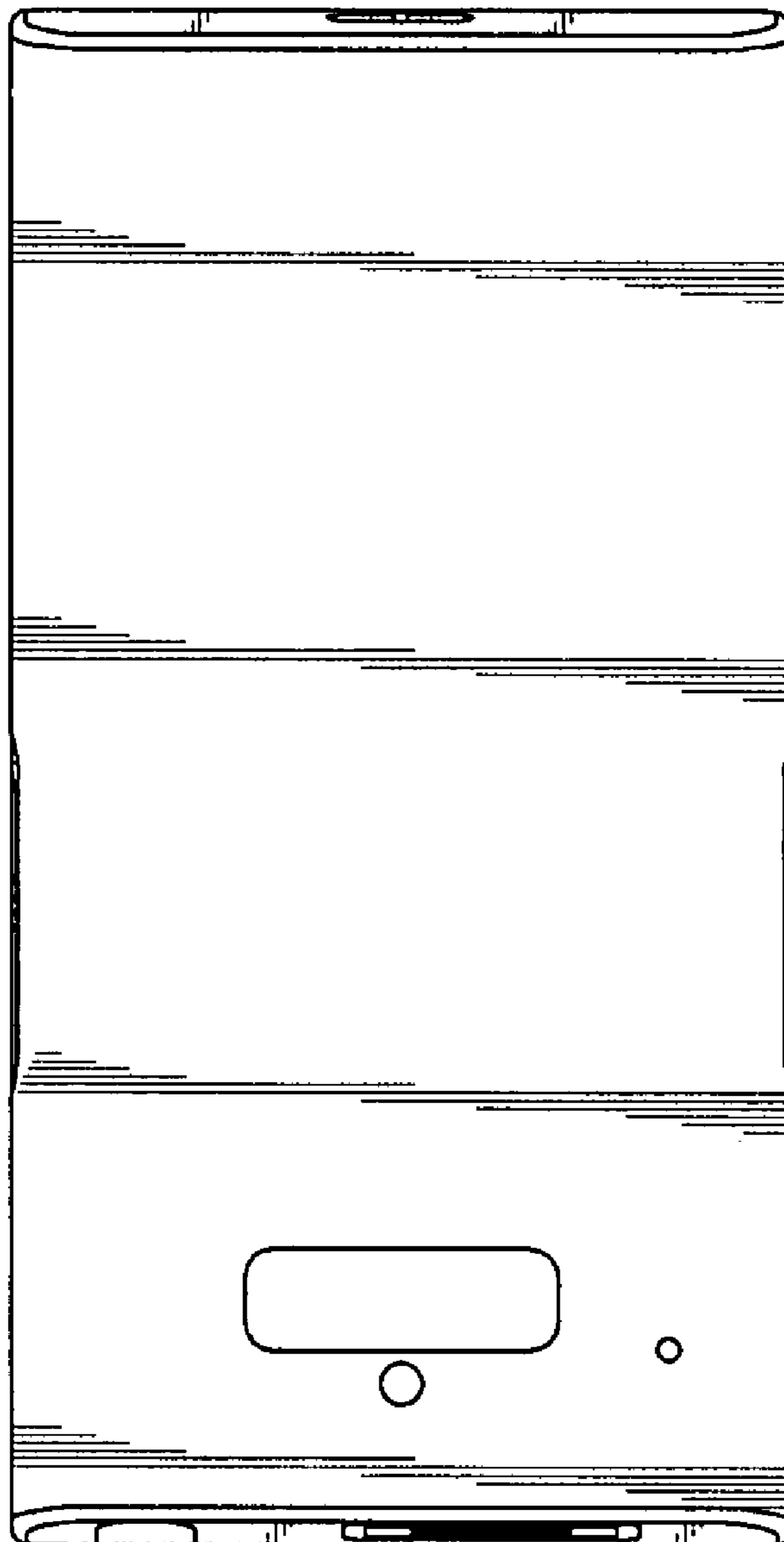


FIG. 4



FIG. 5

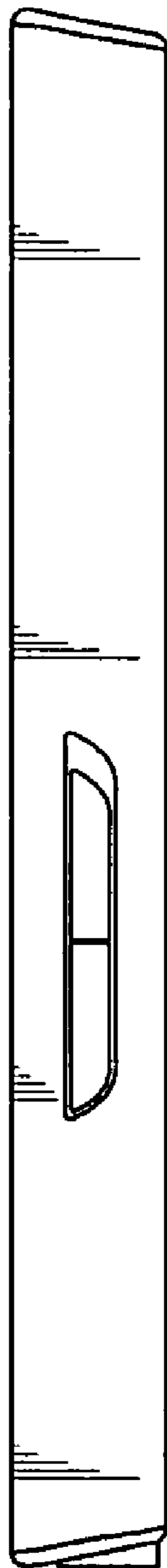


FIG. 6

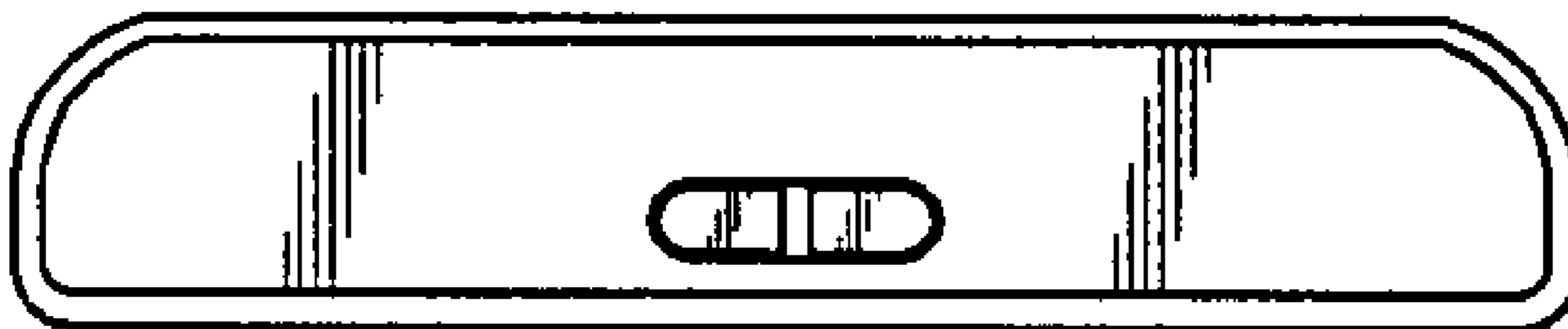


FIG. 7

