

US00D565594S

(12) **United States Design Patent**
Poandl

(10) **Patent No.:** **US D565,594 S**
(45) **Date of Patent:** **** Apr. 1, 2008**

(54) **ALARM CLOCK AMPLIFIER FOR DIGITAL MEDIA PLAYER**

(75) Inventor: **Mary Beth Poandl**, Red Bank, NJ (US)

(73) Assignee: **SDI Technologies Inc.**, Rahway, NJ (US)

(**) Term: **14 Years**

(21) Appl. No.: **29/266,040**

(22) Filed: **Sep. 13, 2006**

(51) **LOC (8) Cl.** **14-03**

(52) **U.S. Cl.** **D14/496; D14/265**

(58) **Field of Classification Search** D14/496,
D14/265, 217, 188, 168, 474; 455/344-351,
455/575.1; 369/6-12, 75.11; 330/1 R, 3,
330/4, 4.6, 185, 207 R; 368/10, 12, 21, 63,
368/244

See application file for complete search history.

(56) **References Cited**

U.S. PATENT DOCUMENTS

D319,060 S * 8/1991 Rashak D14/195
5,369,797 A * 11/1994 Tyree 455/349
5,883,859 A * 3/1999 Bentley 368/10
D485,545 S * 1/2004 Wang D14/217
6,795,377 B2 * 9/2004 Gorden 368/12
D515,554 S * 2/2006 Kwon et al. D14/188

7,006,408 B2 * 2/2006 Chen 368/10
D526,640 S * 8/2006 Chin et al. D14/188
7,213,357 B2 * 5/2007 Scherba 40/610
D544,854 S * 6/2007 Smith D14/188
D551,679 S * 9/2007 Hayes D14/496
7,283,880 B2 * 10/2007 Dick 700/94

* cited by examiner

Primary Examiner—Prabhakar Deshmukh

(74) *Attorney, Agent, or Firm*—Ostrolenk, Faber, Gerb & Soffen, LLP

(57) **CLAIM**

The ornamental design for an alarm clock amplifier for digital media player, as shown and described.

DESCRIPTION

FIG. 1 is a top, front, right side perspective view of an alarm clock amplifier for digital media player showing my new design;

FIG. 2 is a front view thereof;

FIG. 3 is a left side view thereof;

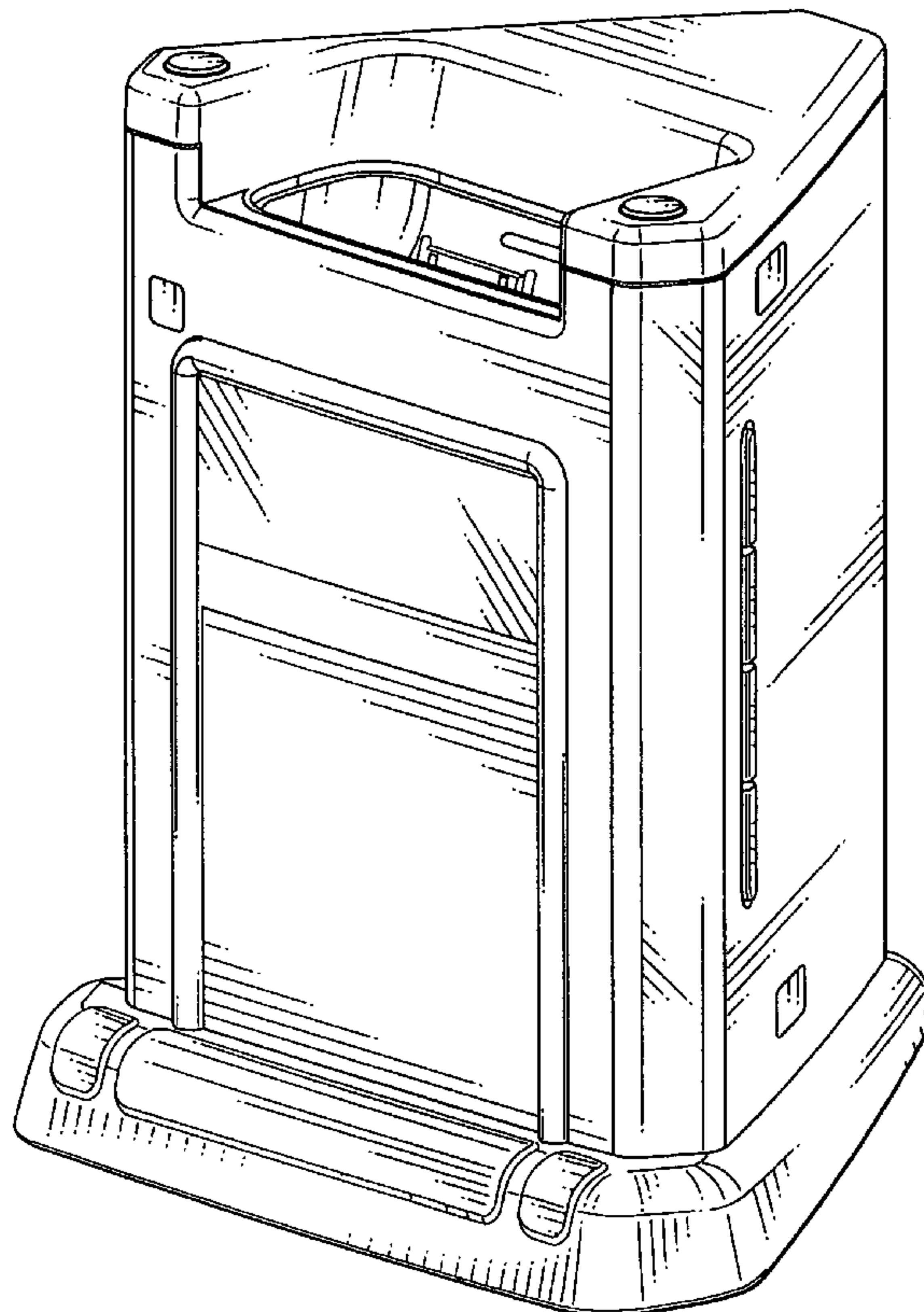
FIG. 4 is a right side view thereof;

FIG. 5 is a rear view thereof;

FIG. 6 is a top view thereof; and,

FIG. 7 is a bottom view thereof.

1 Claim, 7 Drawing Sheets



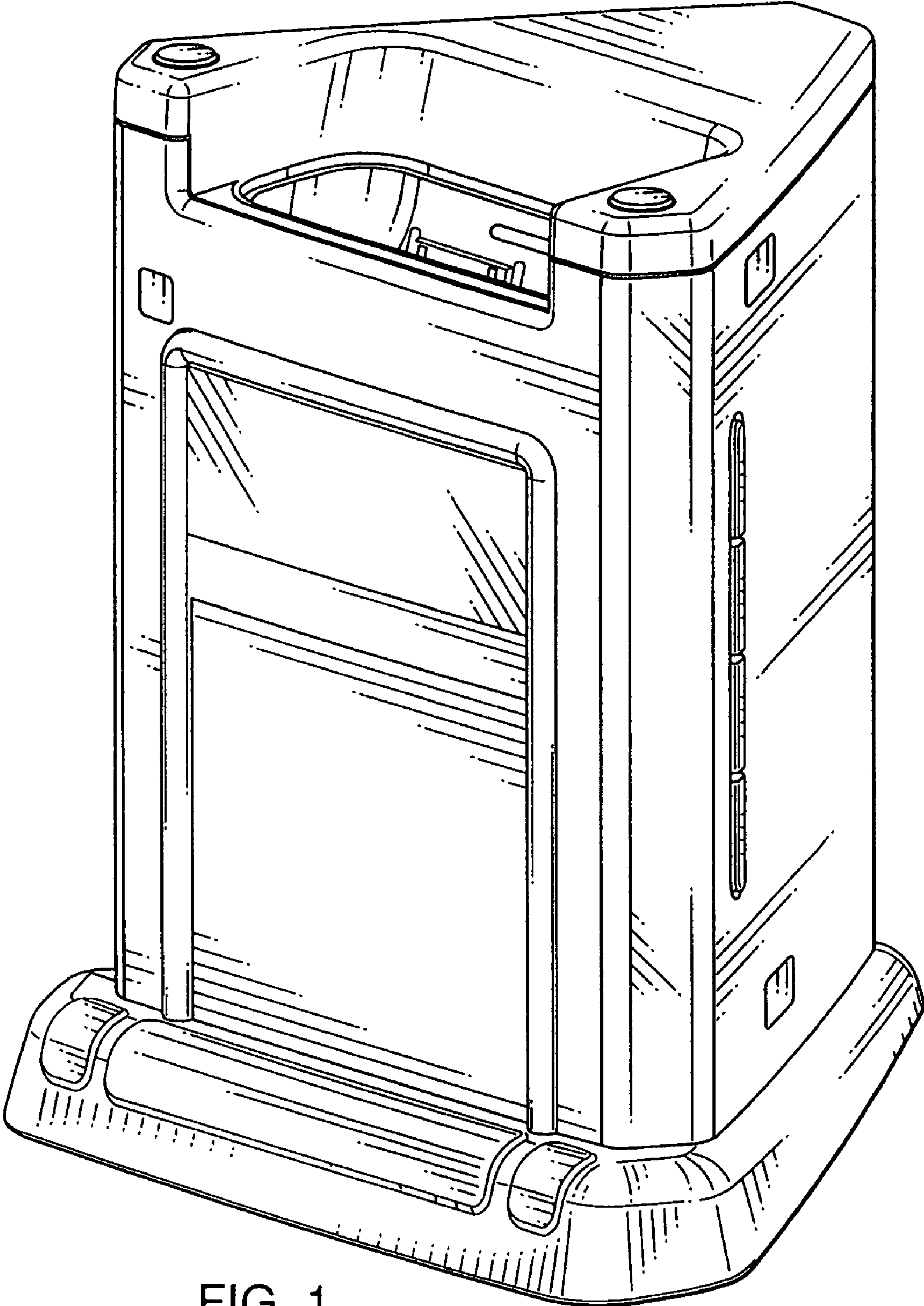


FIG. 1

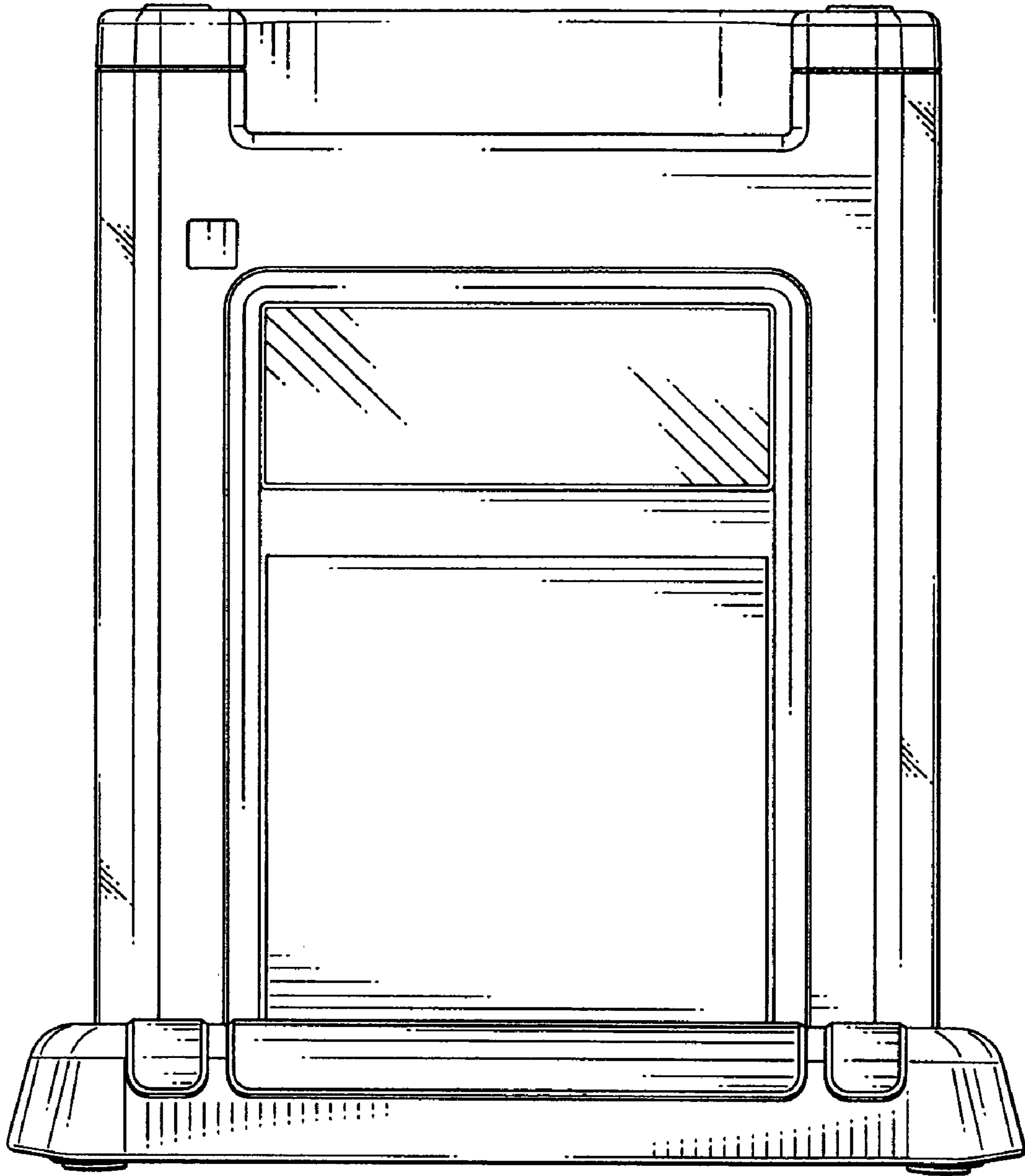


FIG. 2

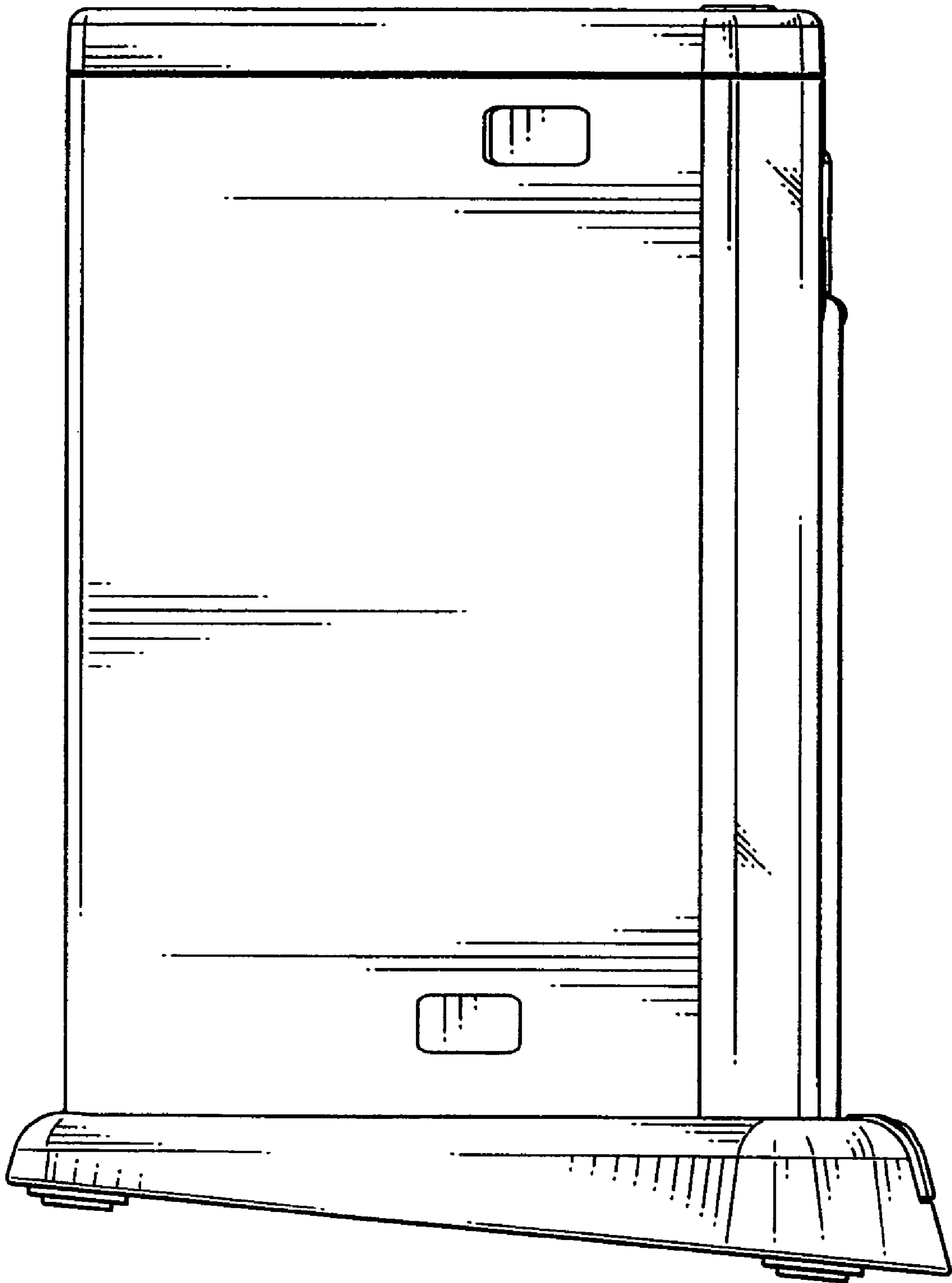


FIG. 3

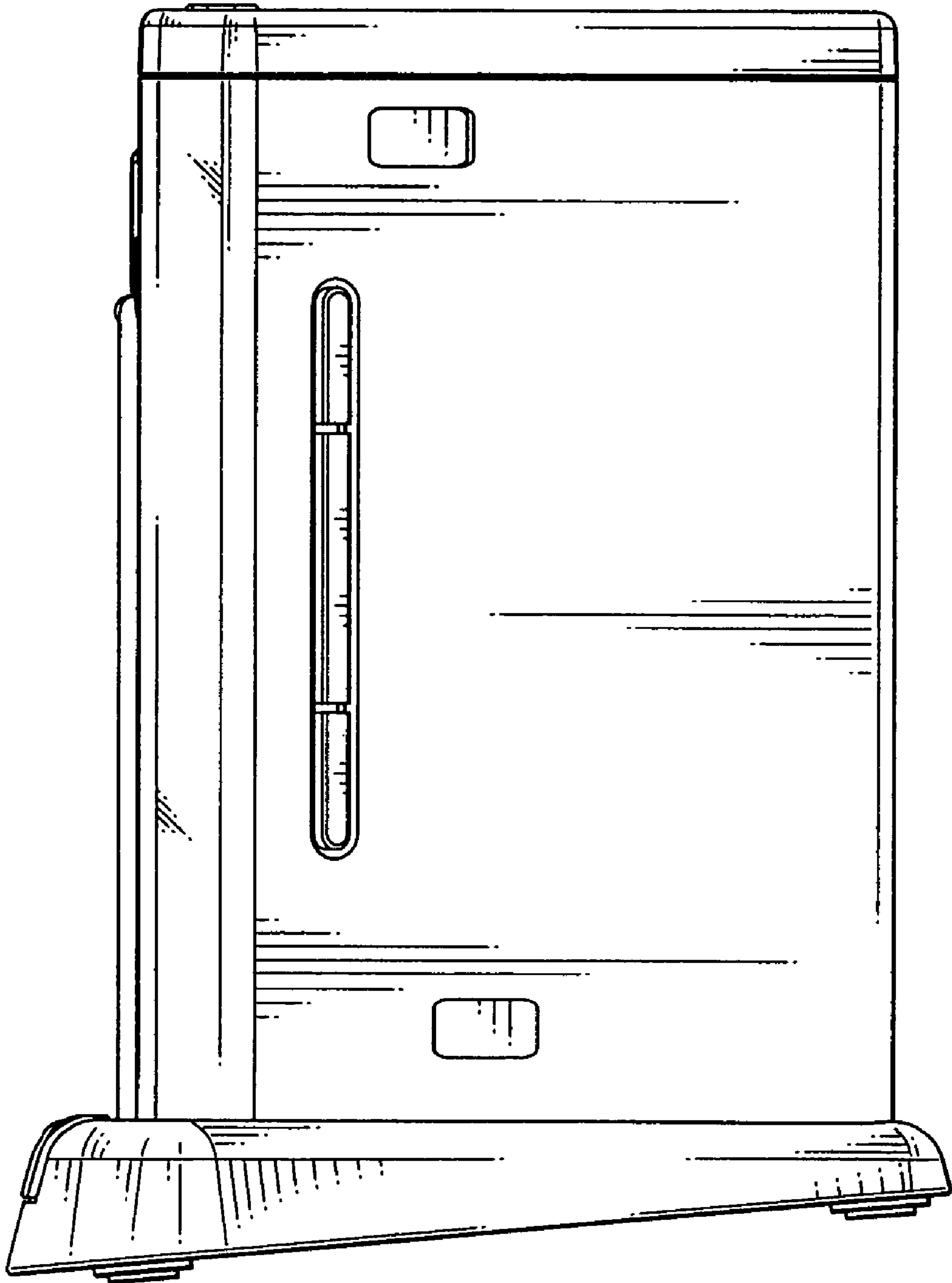


FIG. 4

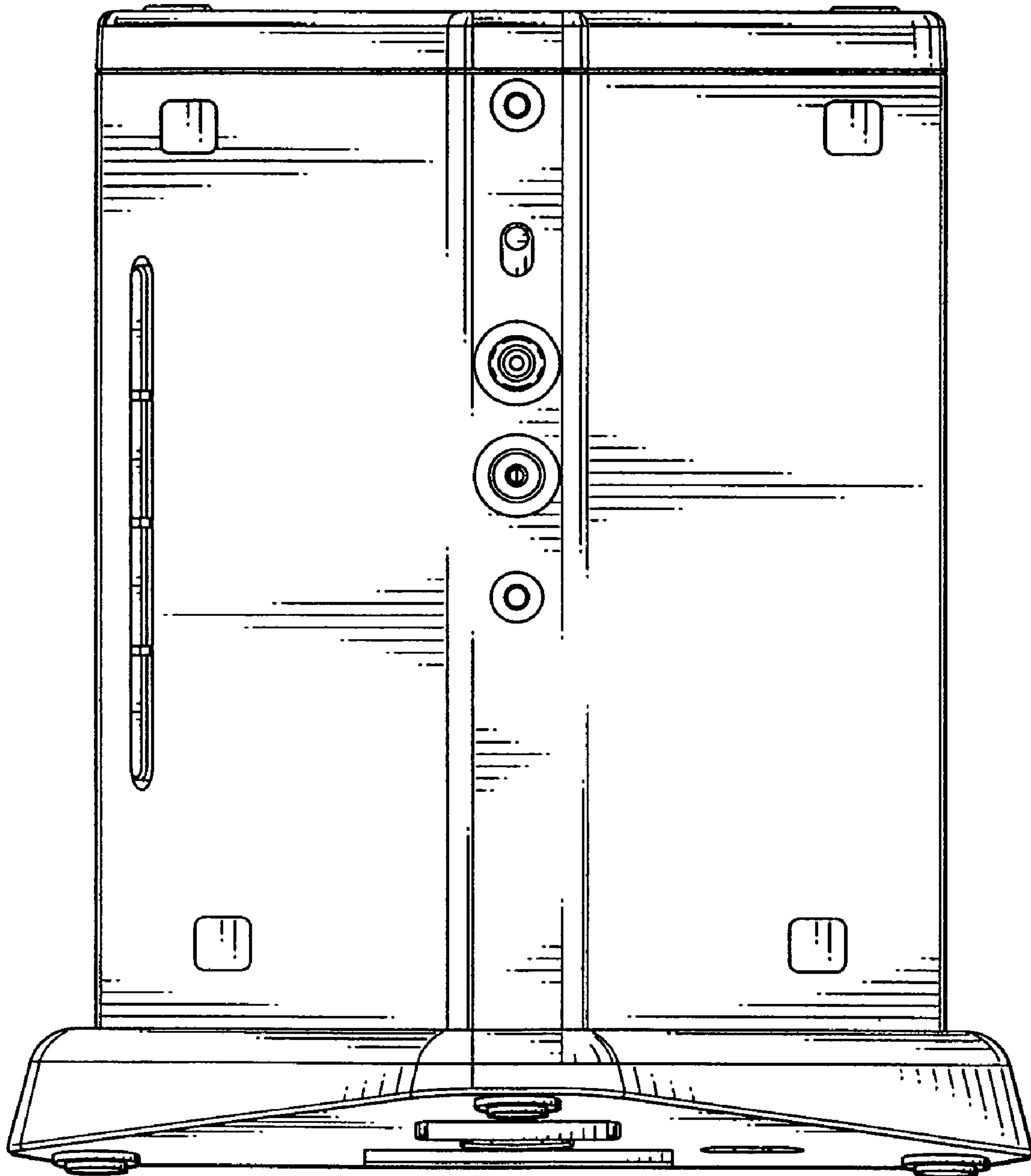


FIG. 5

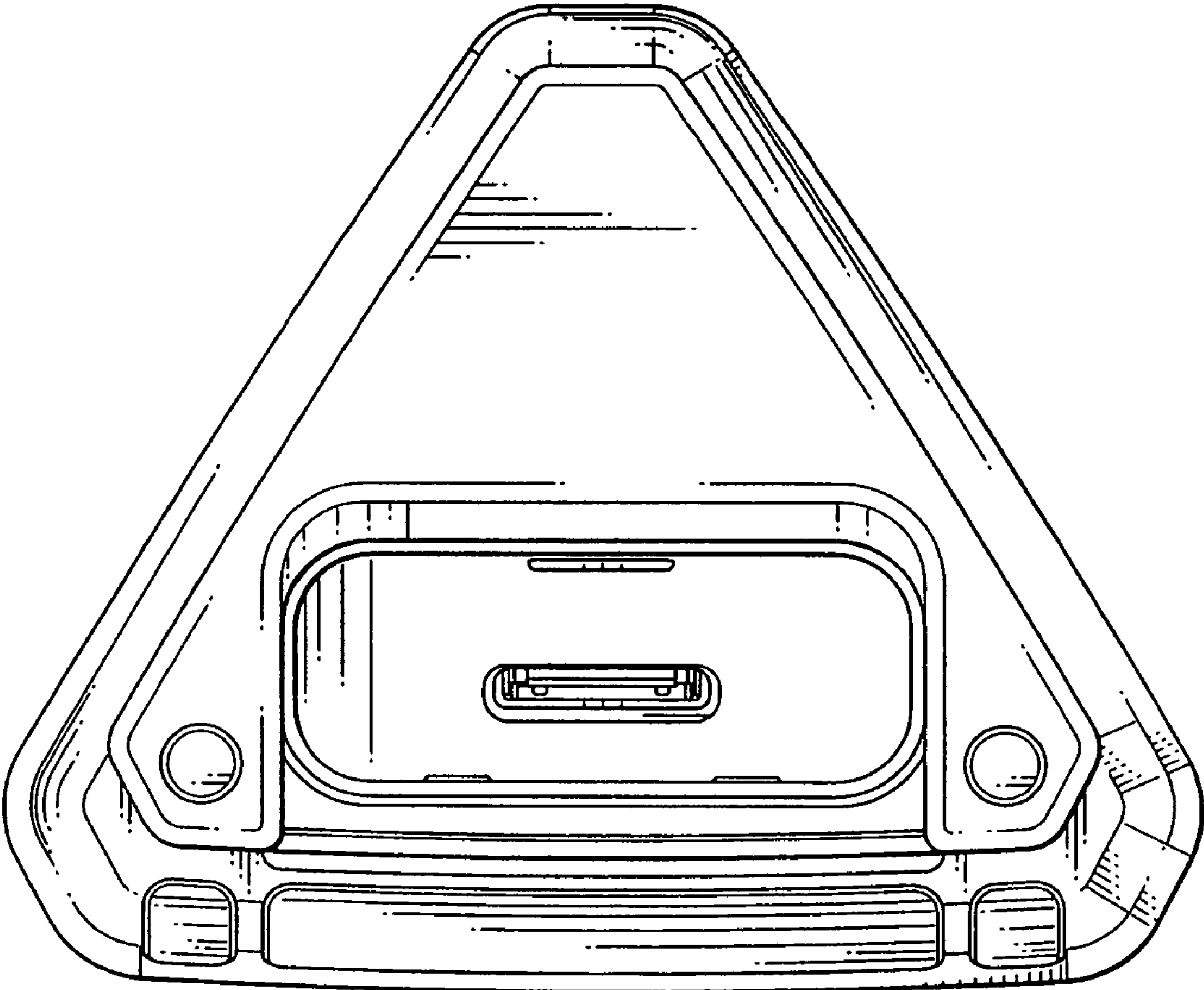


FIG. 6

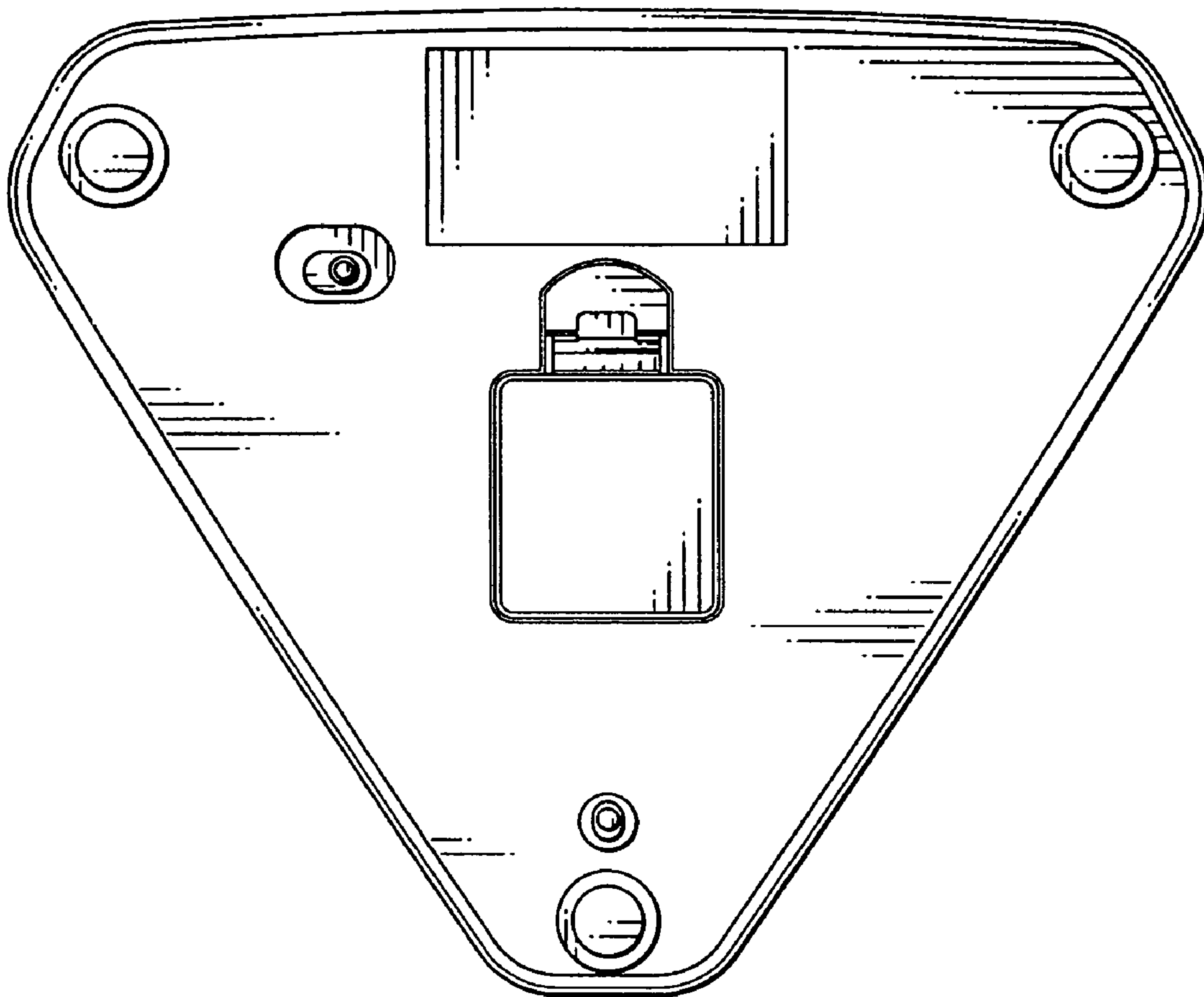


FIG. 7