



US00D565577S

(12) **United States Design Patent**
Hanks

(10) **Patent No.:** **US D565,577 S**

(45) **Date of Patent:** **** Apr. 1, 2008**

(54) **BOTTOM PORTION OF A HOUSING OF A MOBILE DEVICE**

(75) Inventor: **Richard Hanks**, Setauket, NY (US)

(73) Assignee: **Symbol Technologies, Inc.**, Holtsville, NY (US)

(**) Term: **14 Years**

(21) Appl. No.: **29/276,626**

(22) Filed: **Jan. 31, 2007**

(51) **LOC (8) Cl.** **14-02**

(52) **U.S. Cl.** **D14/453**; D14/426; D14/429

(58) **Field of Classification Search** D14/420, D14/426-430, 453, 346, 341, 347, 412, 138; D13/107, 184; 358/473; 235/462.43, 462.45, 235/462.47, 462.48, 462.44, 462.46, 487, 235/472.01, 472.02, 145 A, 145 R; D10/78; 324/426; D3/273; 710/73; D18/7; 361/379; 382/313, 321; 455/575.1, 561, 572; 345/156, 345/168, 169, 172, 173, 87

See application file for complete search history.

(56) **References Cited**

U.S. PATENT DOCUMENTS

5,714,123	A *	2/1998	Sohrab	422/99
D407,399	S *	3/1999	Frye et al.	D14/138
D408,813	S *	4/1999	Prior	D14/138
D410,000	S *	5/1999	Nuovo	D14/138
D411,205	S *	6/1999	Frye et al.	D14/250
D415,770	S *	10/1999	Nuovo	D14/248
D424,456	S *	5/2000	Hoofnagle et al.	D10/78
D424,571	S *	5/2000	Finkbeiner	D14/247
D425,057	S *	5/2000	Finkbeiner	D14/138
D439,898	S *	4/2001	Ober et al.	D14/347

D458,264	S *	6/2002	MacGregor	D14/426
D462,357	S *	9/2002	Jenkins	D14/426
D469,367	S *	1/2003	Mirabelli et al.	D10/65
D473,872	S *	4/2003	Ausems et al.	D14/420
D475,033	S *	5/2003	Lehtonen	D14/138
D475,042	S *	5/2003	Lehtonen	D14/247
6,687,584	B2 *	2/2004	Andreasen et al.	701/29
D493,457	S *	7/2004	Hsu	D14/346
D494,584	S *	8/2004	Schlieffers et al.	D14/346
2003/0060953	A1 *	3/2003	Chen	701/33

* cited by examiner

Primary Examiner—Melanie Tung

Assistant Examiner—Susan Moon Lee

(74) *Attorney, Agent, or Firm*—Fay Kaplun & Marcin, LLP

(57) **CLAIM**

I claim the ornamental design for a bottom portion of a housing of a mobile device, as shown and described.

DESCRIPTION

FIG. 1 is a front view of the bottom portion of a housing of a mobile device showing our new design;

FIG. 2 is a rear view thereof;

FIG. 3 is a top view thereof;

FIG. 4 is a bottom view thereof;

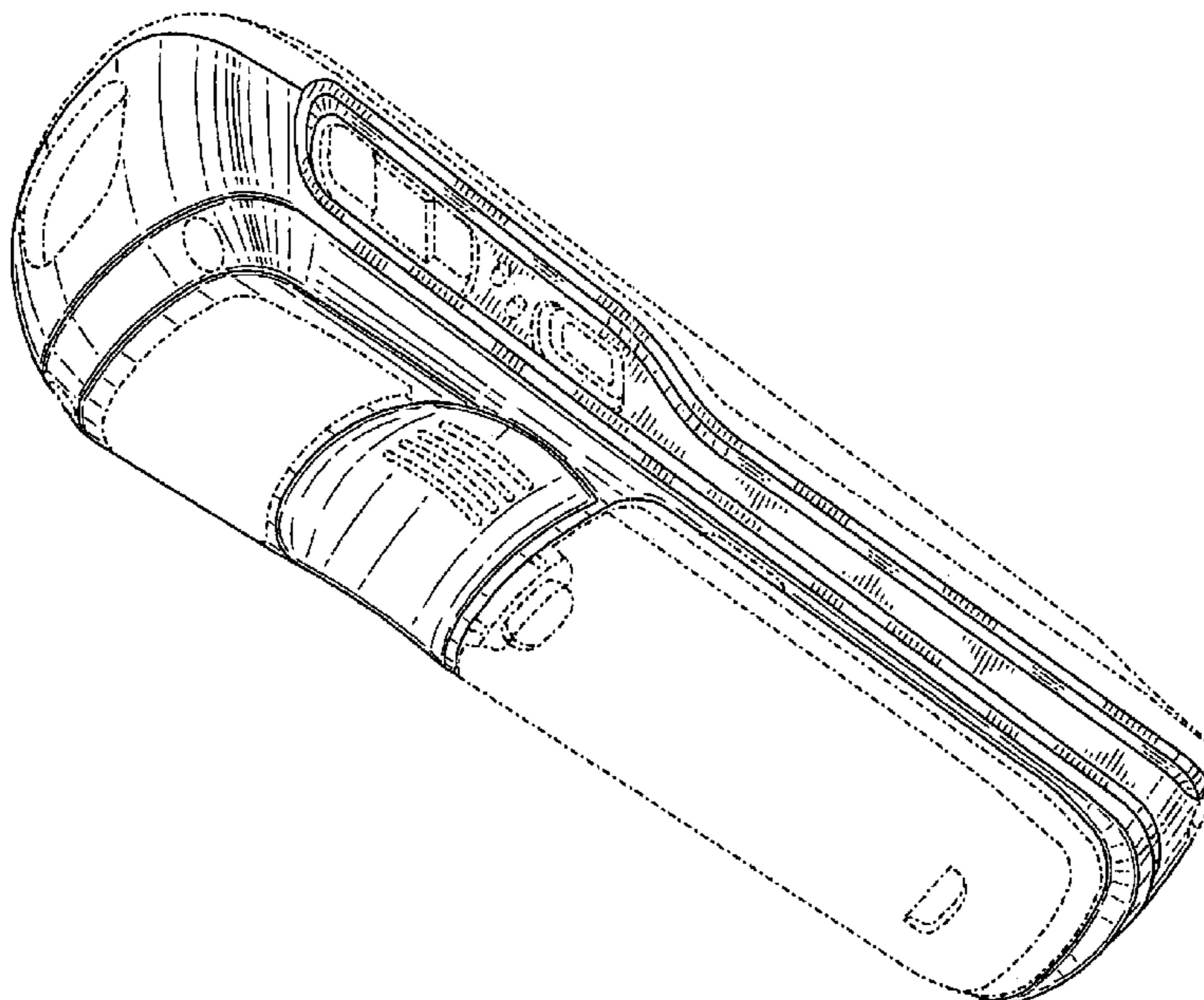
FIG. 5 is a right side view thereof;

FIG. 6 is a left side view thereof; and,

FIG. 7 is a perspective view of the bottom portion of a housing of a mobile device shown on a reduced scale.

The broken lines shown in FIGS. 1-7 are included for illustrative purposes only and form no part of the claimed design.

1 Claim, 5 Drawing Sheets



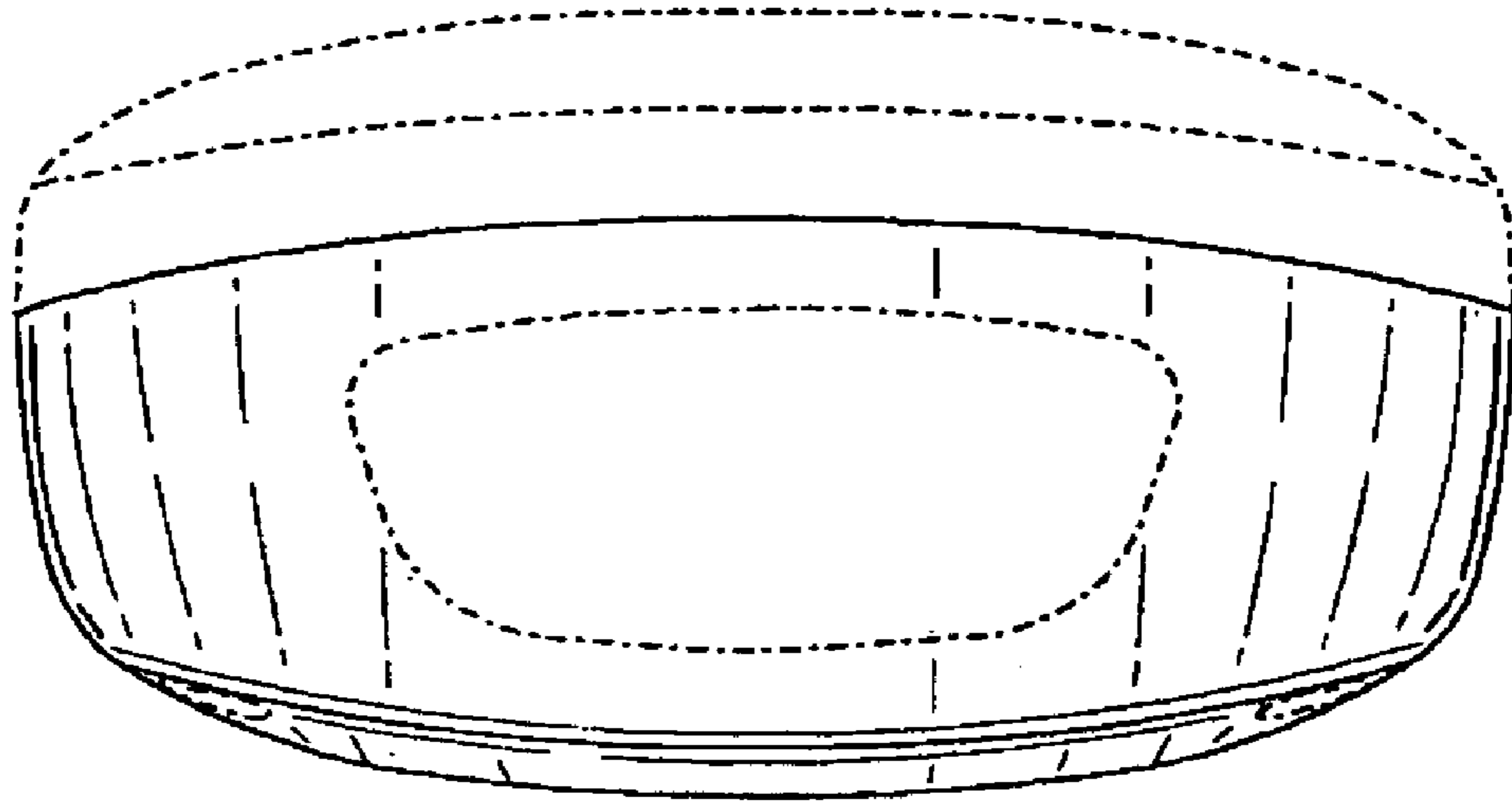


FIG. 1

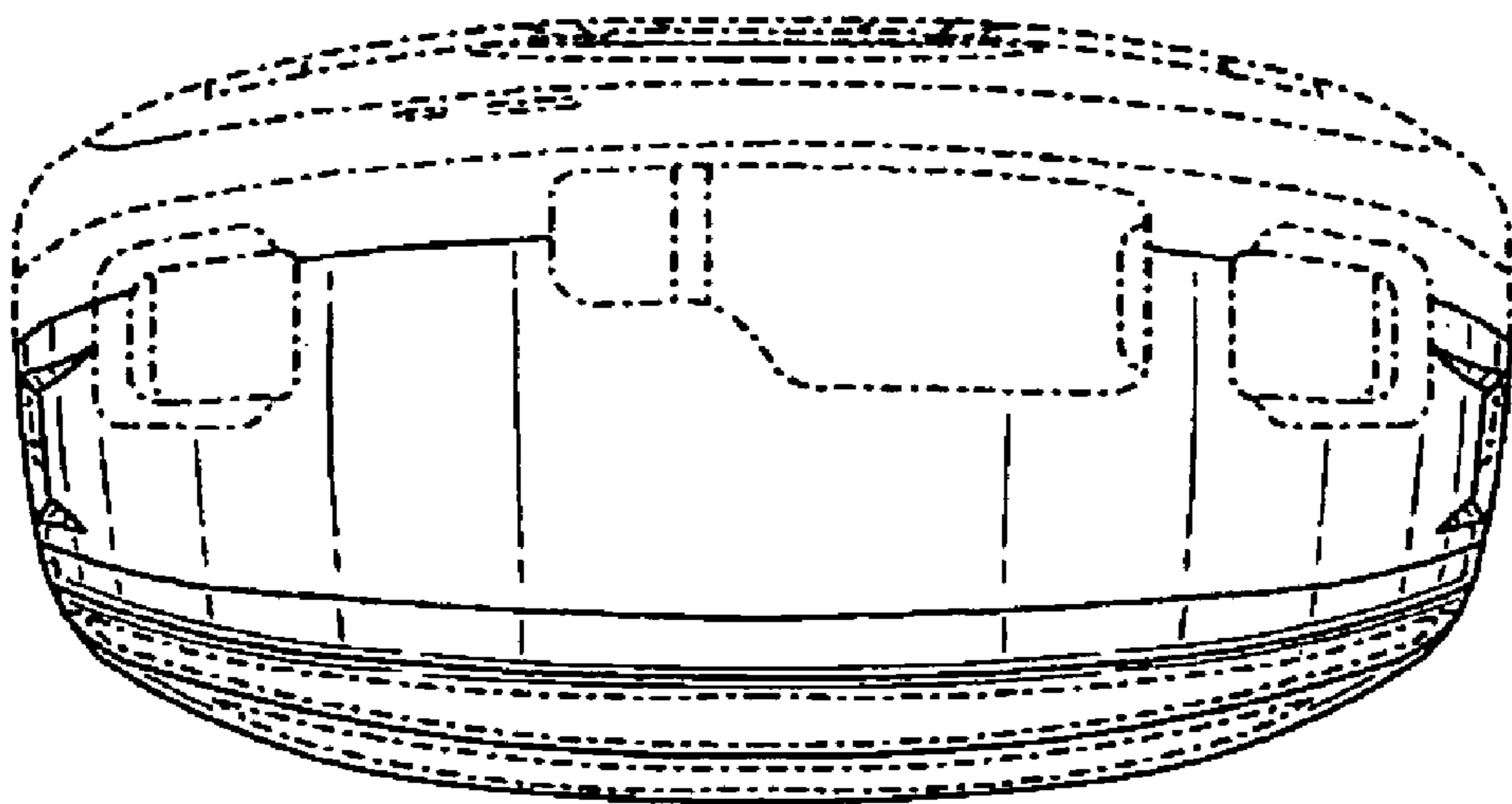


FIG. 2

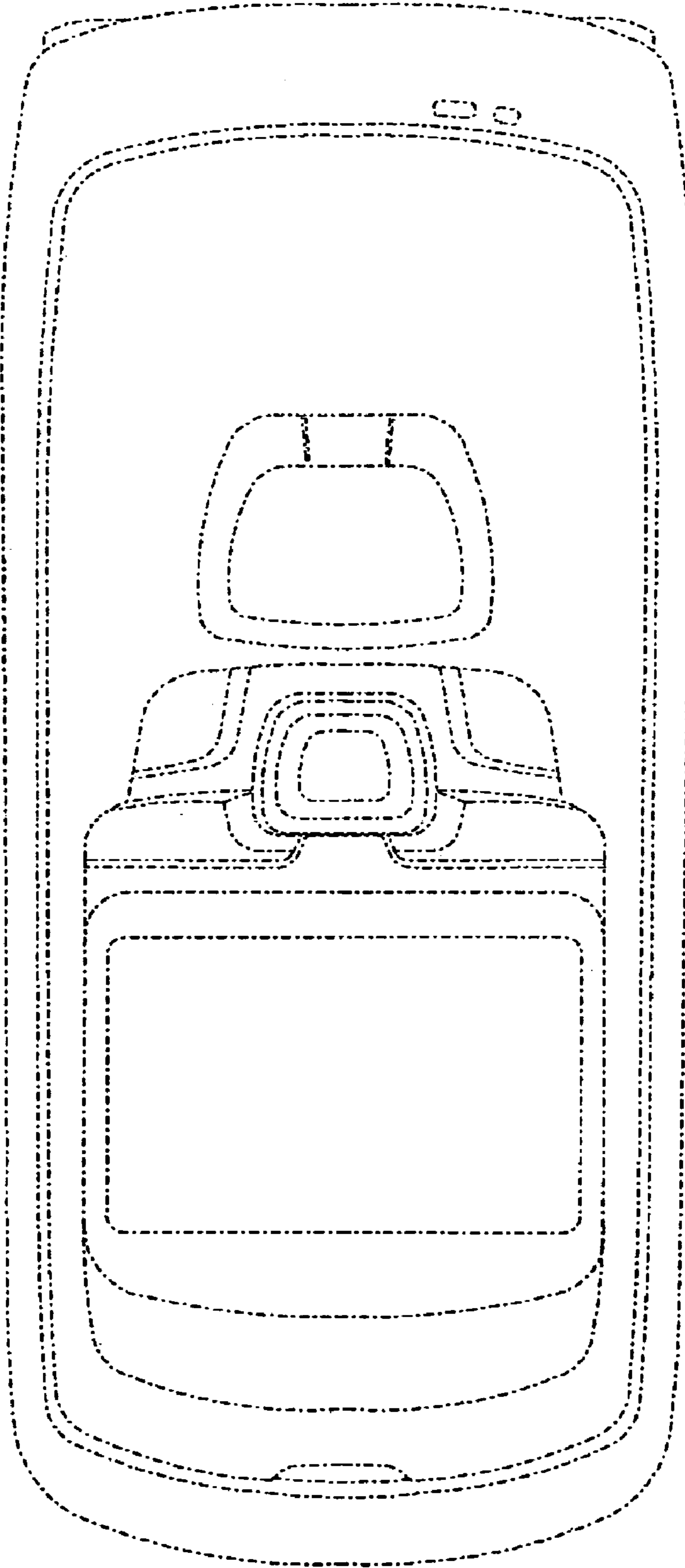


FIG. 3

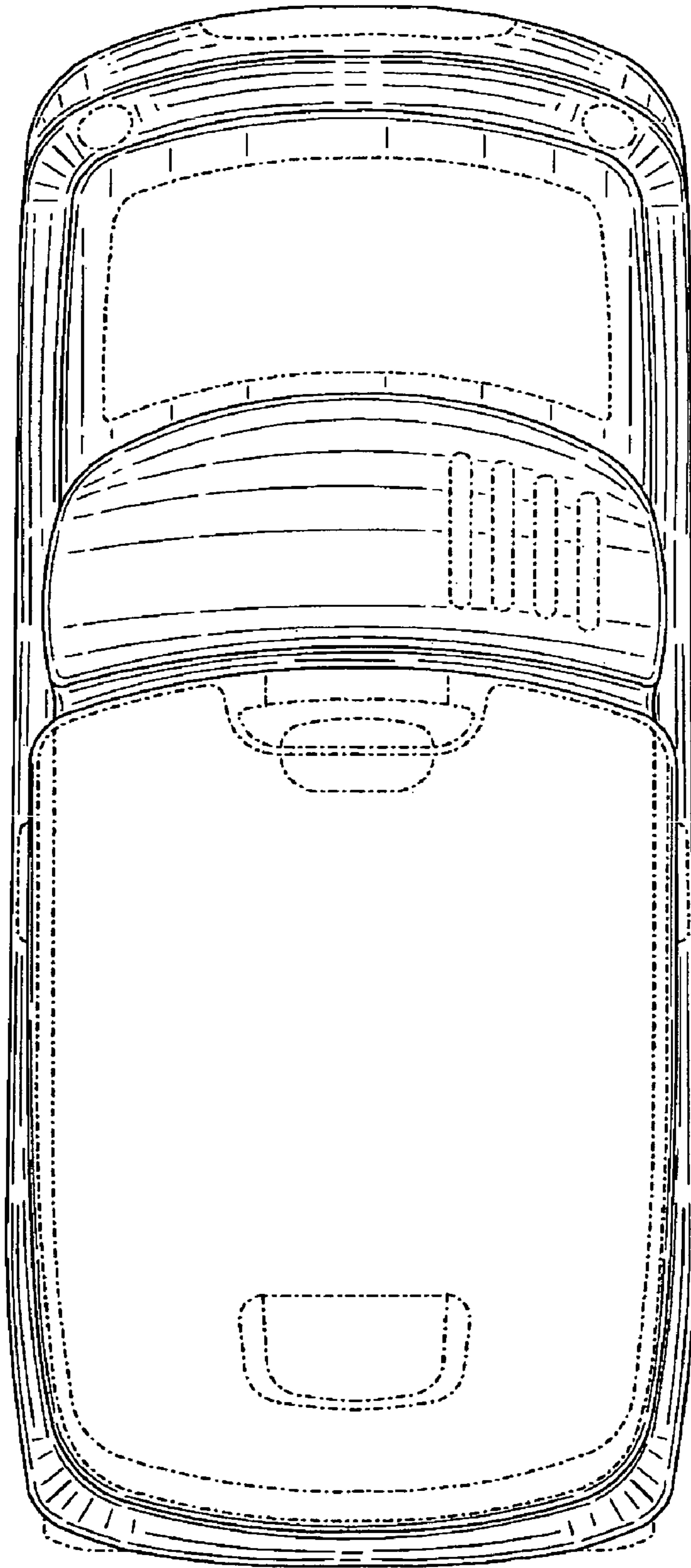


FIG. 4

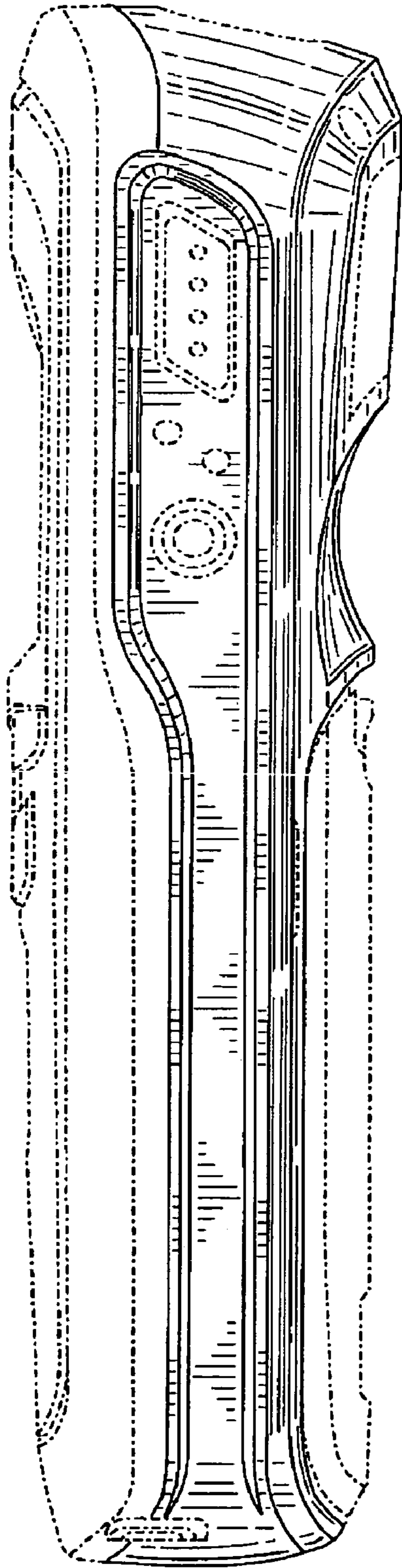


FIG. 5

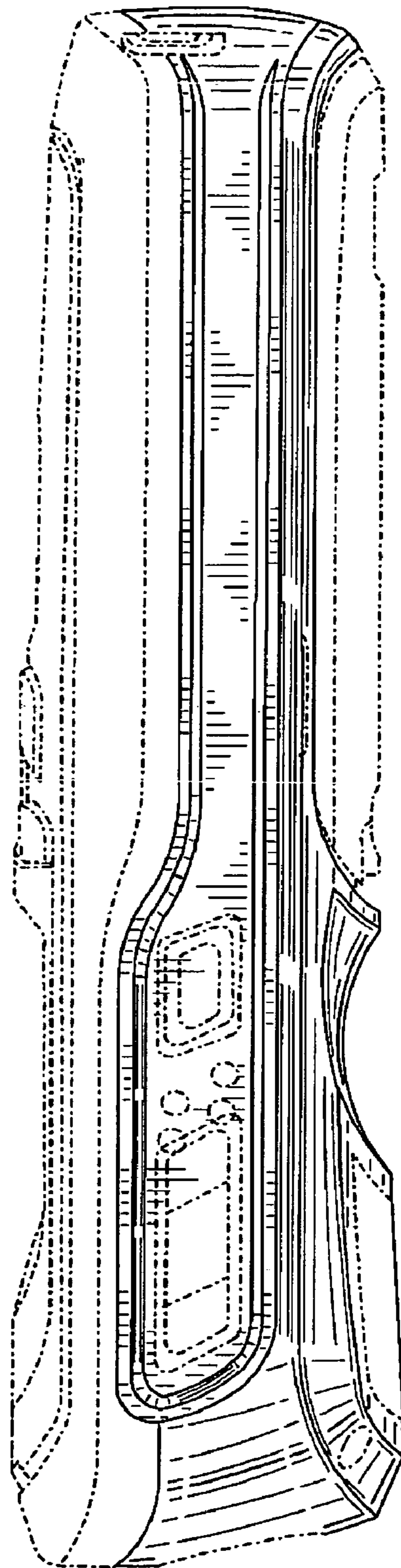


FIG. 6

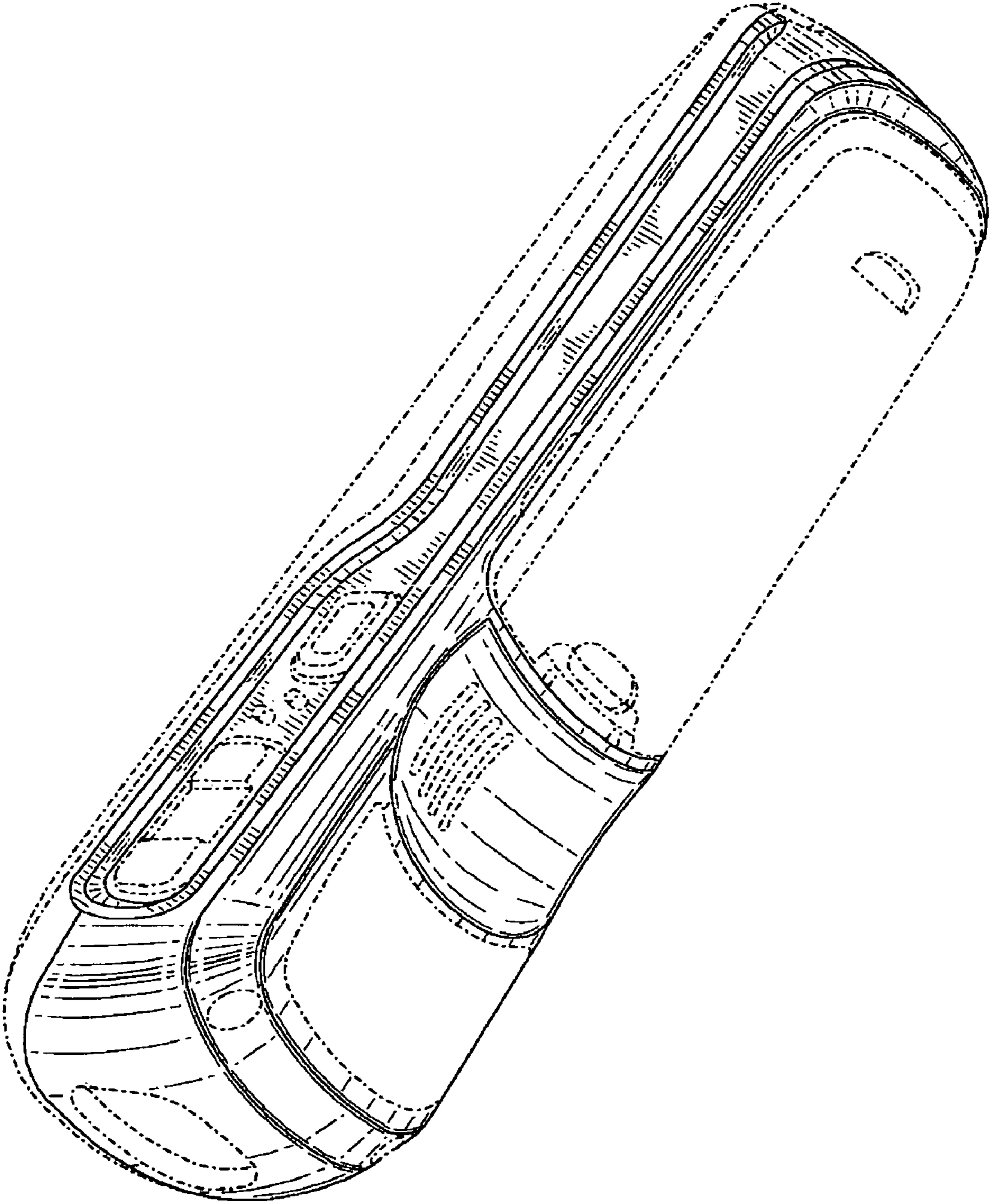


FIG. 7