



US00D565571S

(12) **United States Design Patent** (10) **Patent No.:** **US D565,571 S**  
**Trifilio et al.** (45) **Date of Patent:** **\*\* Apr. 1, 2008**

(54) **HARD DRIVE DOCKING STATION**

2006/0061953 A1 3/2006 Le

(75) Inventors: **Christian R. Trifilio**, St. Paul, MN (US); **Jason Lindke**, Minneapolis, MN (US); **Robert C. Martin**, St. Paul, MN (US); **Leo W. Spychalla**, Cottage Grove, MN (US)

FOREIGN PATENT DOCUMENTS

EP 1 197 826 A1 4/2002  
WO WO 01/61692 A1 8/2001

OTHER PUBLICATIONS

[http://www.imation.com/products/odyssey/docking\\_station.html](http://www.imation.com/products/odyssey/docking_station.html), Mar. 23, 2007.\*  
“Odyssey Removable Hard Disk Storage System” information PDF, Mar. 23, 2007.\*  
Co-pending design application entitled “Portable Hard Drive Cartridge,” U.S. Appl. No. 29/268,728, filed Nov. 8, 2006, Trifilio et al.

\* cited by examiner

*Primary Examiner*—Robin V. Webster  
*Assistant Examiner*—Karen E Kearney  
(74) *Attorney, Agent, or Firm*—Eric D. Levinson

(73) Assignee: **Imation Corp.**, Oakdale, MN (US)

(\*\*) Term: **14 Years**

(21) Appl. No.: **29/268,729**

(22) Filed: **Nov. 8, 2006**

(51) **LOC (8) Cl.** ..... **14-02**

(52) **U.S. Cl.** ..... **D14/434; D14/356**

(58) **Field of Classification Search** ..... D14/301, D14/313, 348-9, 351-8, 363, 368, 370, 432, D14/433-6, 474, 477, 479, 483, 496, 137, D14/155, 167-168, 240, 242, 299; 711/100, 711/115; 361/685, 725, 752; 369/272.1, 369/273, 75.11; 360/133, 97.01, 97.03; D13/149, D13/184; D3/201, 273; 710/13, 303; 206/701  
See application file for complete search history.

(57) **CLAIM**

The ornamental design for a hard drive docking station, as shown and described.

**DESCRIPTION**

FIG. 1 is a perspective view of a hard drive docking station illustrating the new design;

FIG. 2 is a front view thereof;

FIG. 3 is a rear view thereof;

FIG. 4 is a top side view thereof;

FIG. 5 is a bottom side view thereof; and,

FIG. 6 is a left side view thereof; where a right side view is not presented, as it is a mirror image of the left side view.

In FIGS. 1-6 the broken lines showing stacking feet and recesses are for illustrative purposes only and form no part of the claimed design.

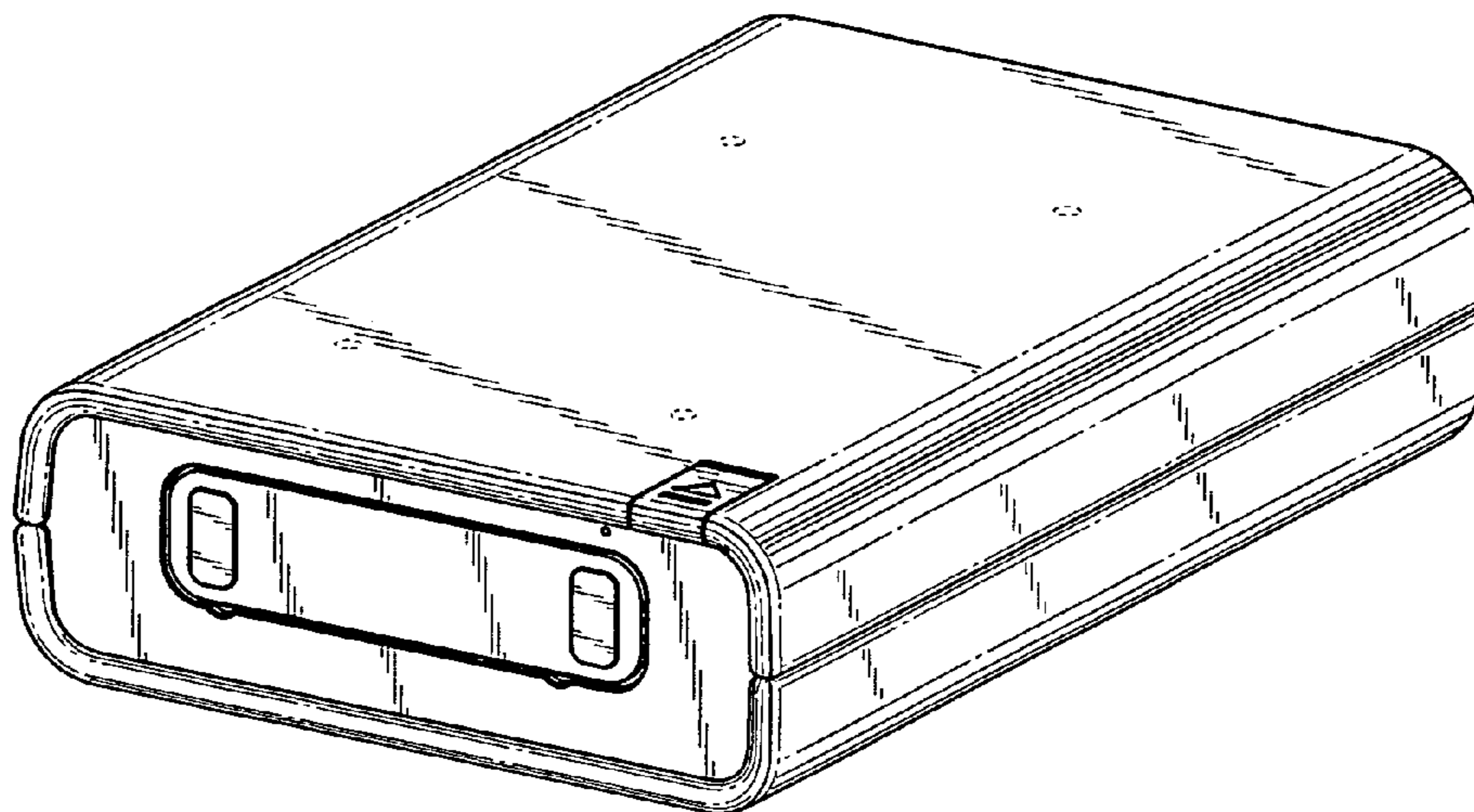
In FIG. 3 the broken lines showing a data access port are for illustrative purposes only and form no part of the claimed design.

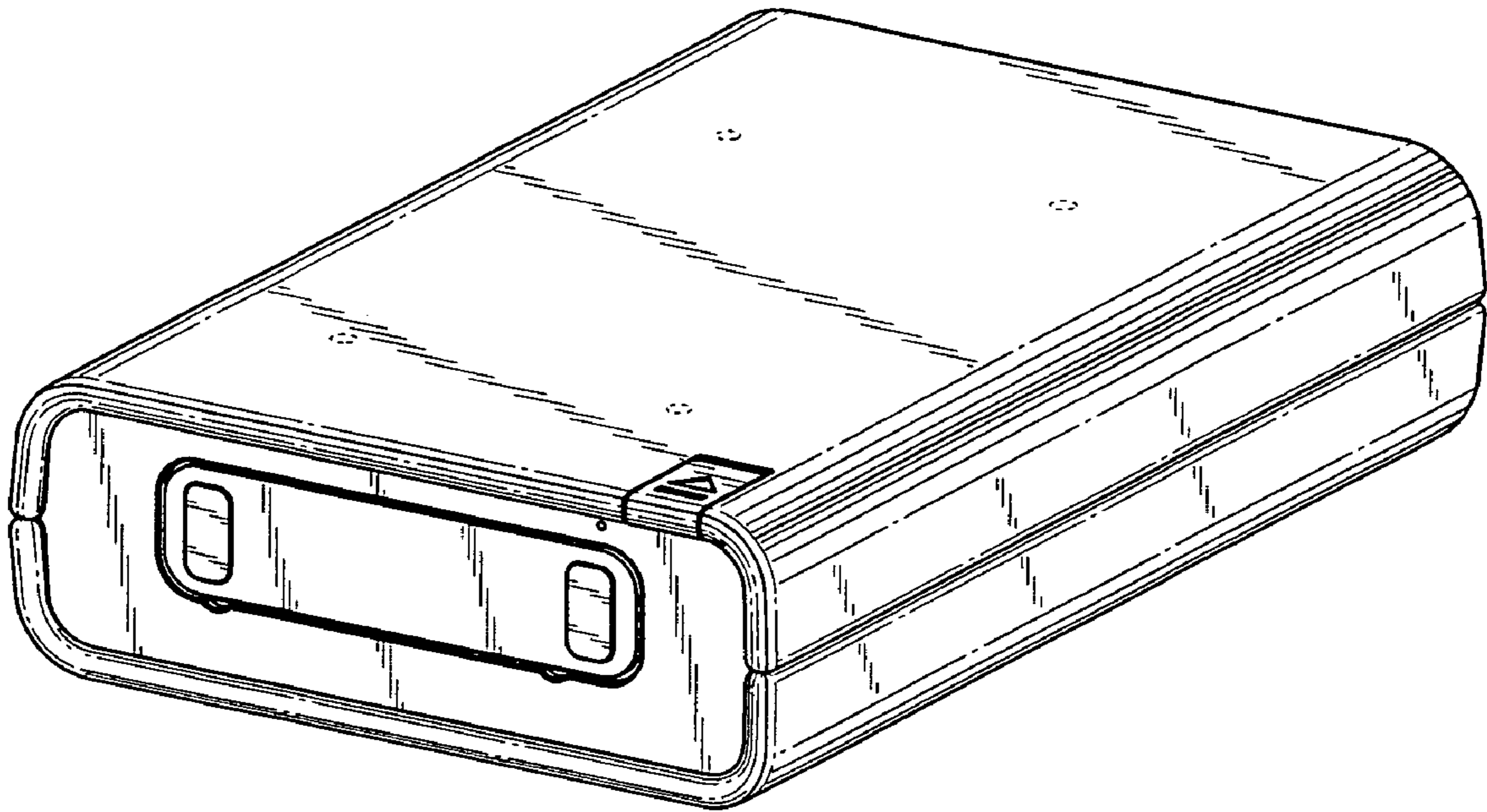
(56) **References Cited**

U.S. PATENT DOCUMENTS

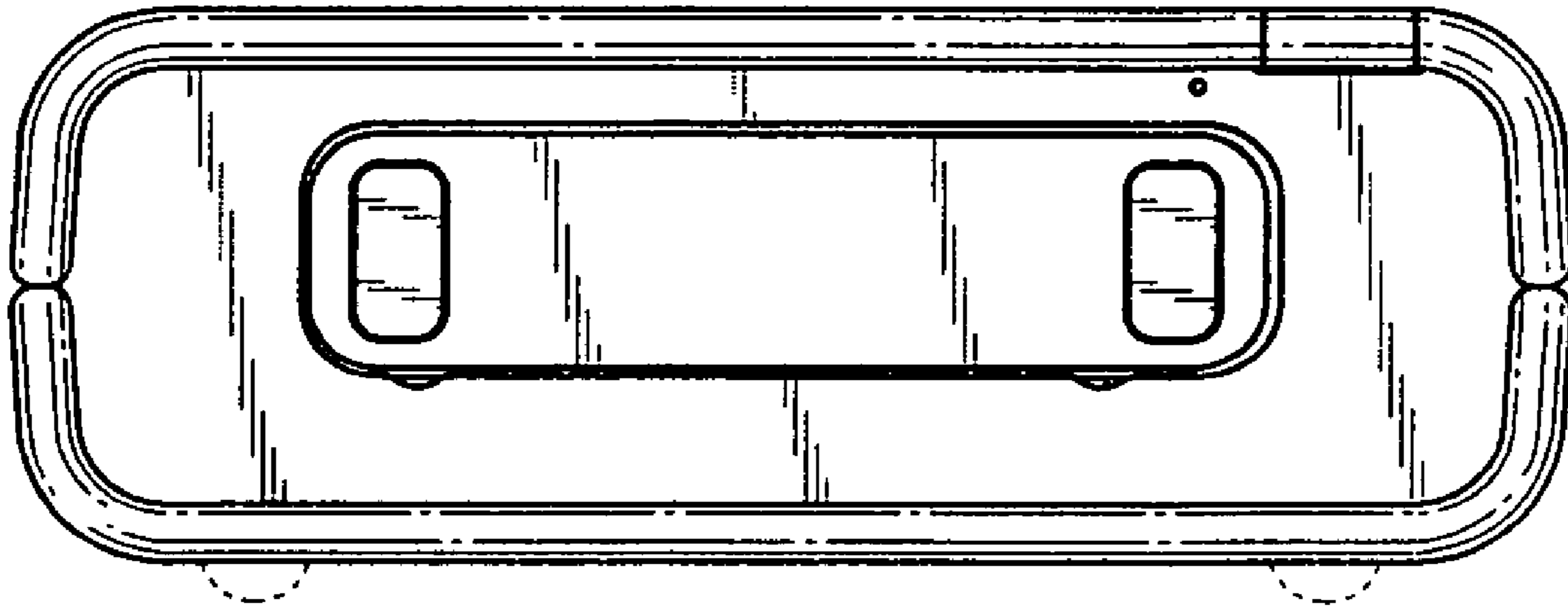
D198,032 S *	4/1964	Leland et al. ....	D14/155
D309,923 S *	8/1990	Cheung .....	D21/324
D344,270 S *	2/1994	Matsumoto et al. ....	D14/368
D354,500 S *	1/1995	Georgopoulos .....	D14/242
5,564,802 A *	10/1996	Chiou .....	312/111
D375,485 S *	11/1996	Gray .....	D14/351
D383,732 S *	9/1997	Haley et al. ....	D14/435
D392,630 S *	3/1998	Fussell .....	D14/433
5,921,422 A *	7/1999	Hunter et al. ....	220/4.02
D513,253 S *	12/2005	Kawasaki .....	D14/363
D530,315 S *	10/2006	Liu .....	D14/240
2003/0071544 A1 *	4/2003	Chang .....	312/107
2006/0056103 A1 *	3/2006	Hamming .....	360/97.01

**1 Claim, 4 Drawing Sheets**

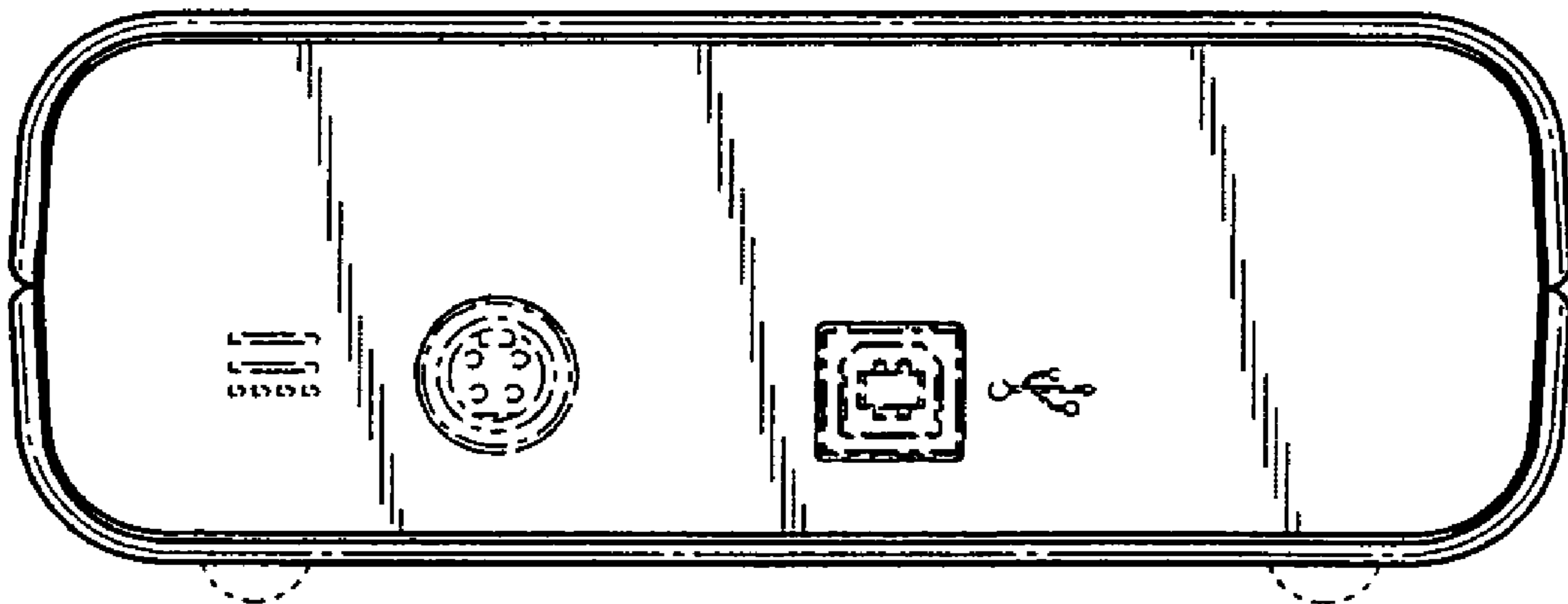




**Fig. 1**



**Fig. 2**



**Fig. 3**

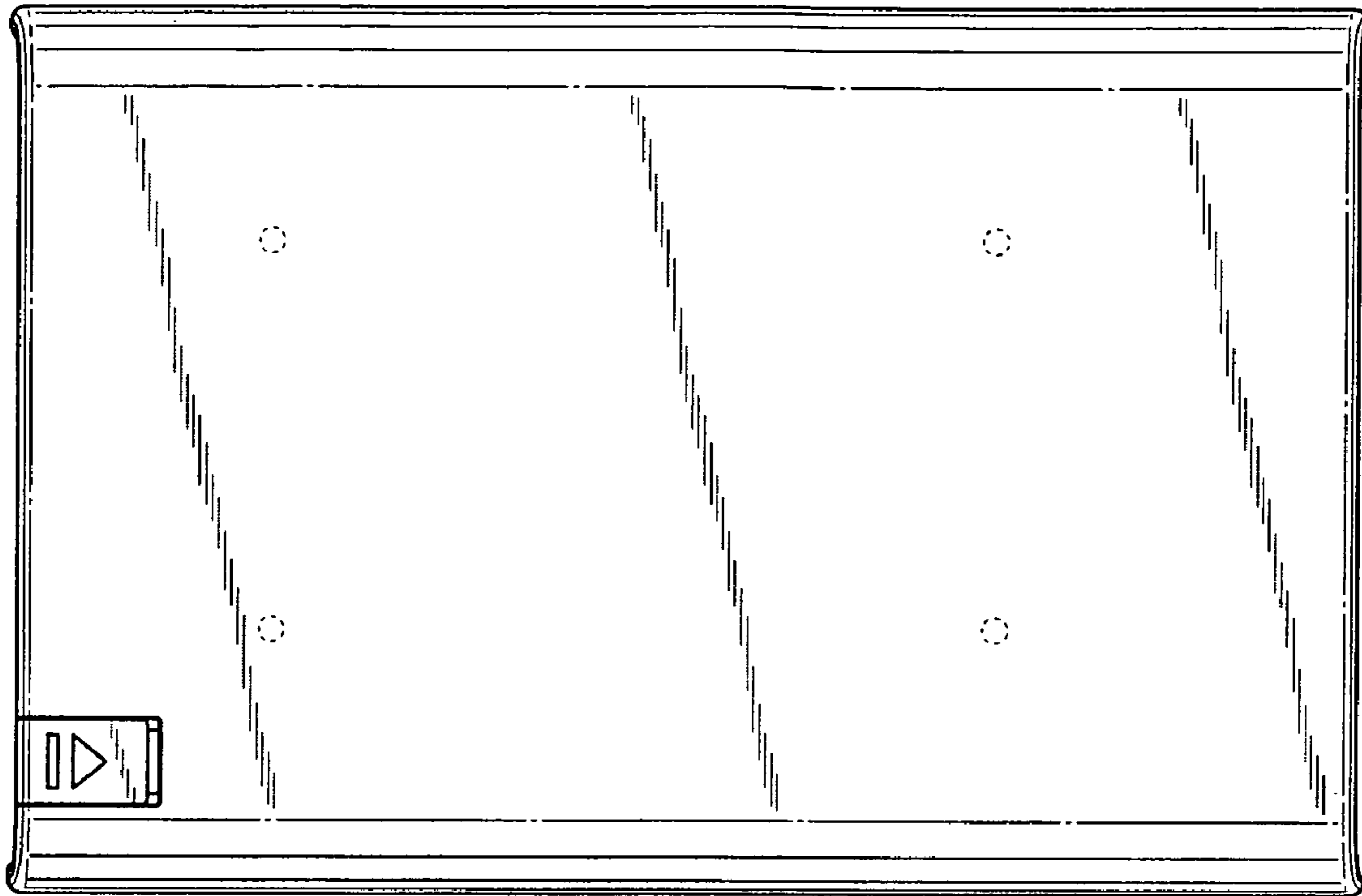


Fig. 4

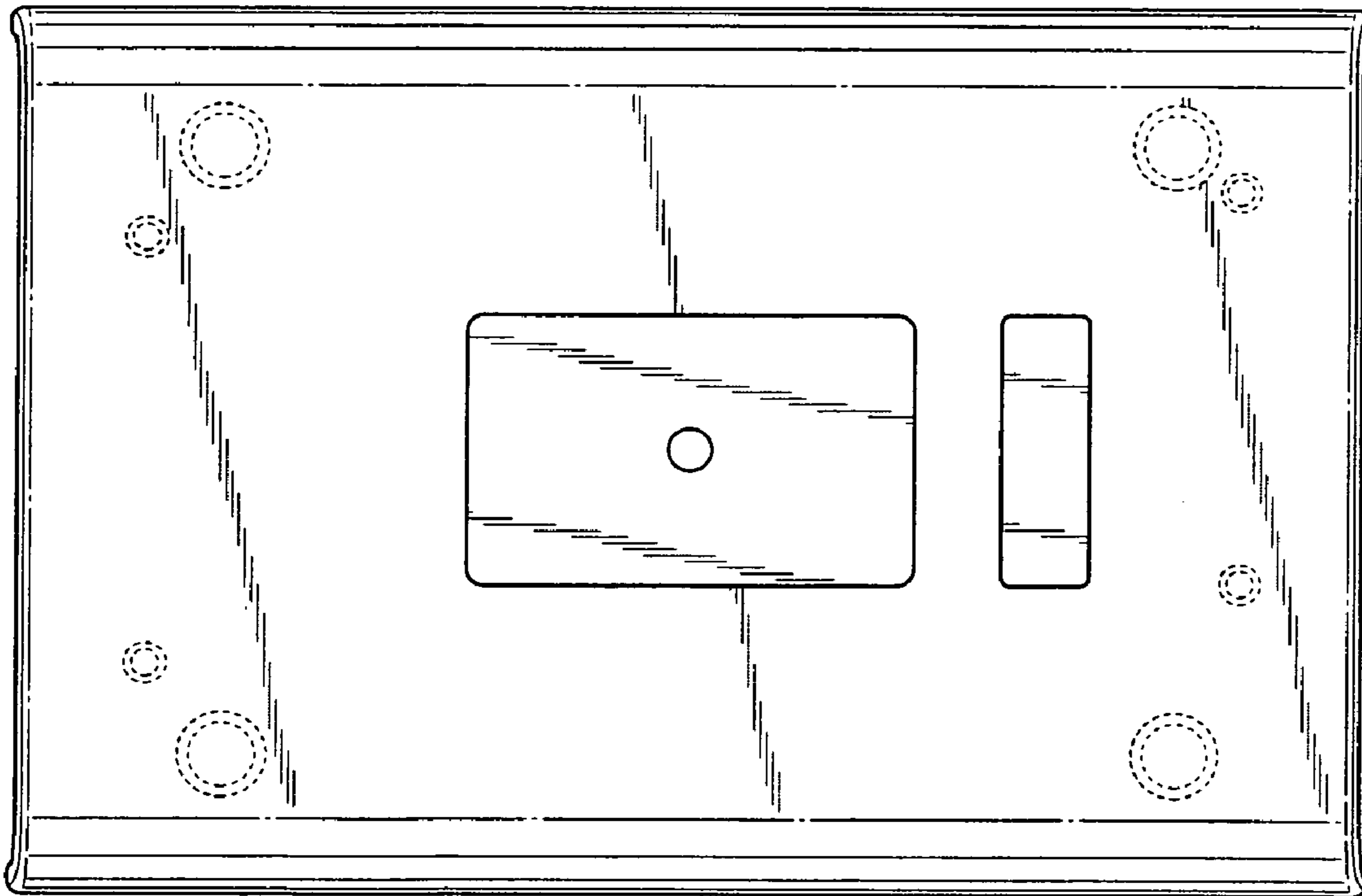
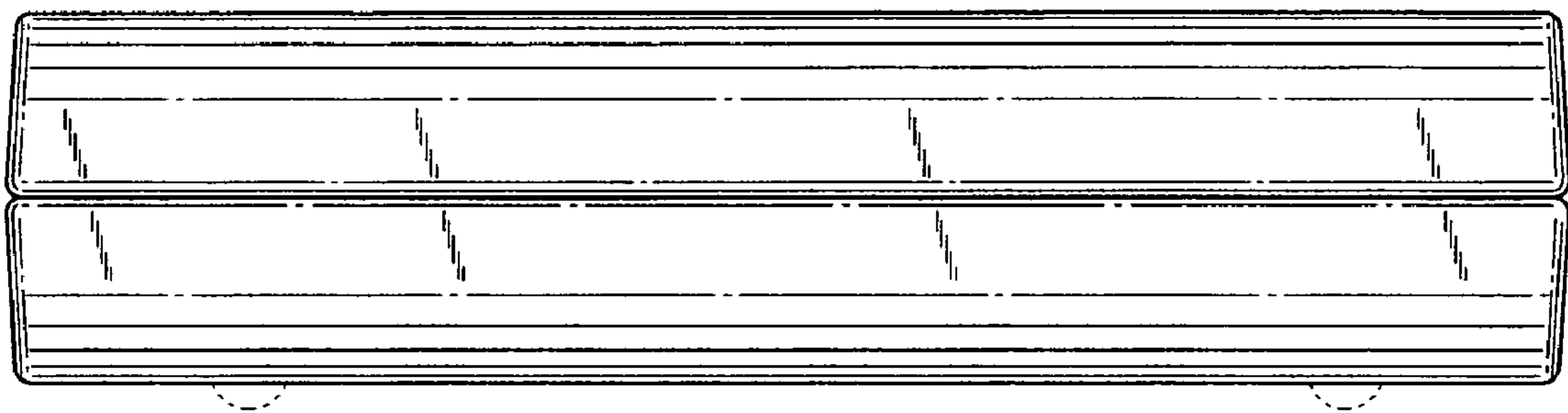


Fig. 5



**Fig. 6**