



US00D565566S

(12) **United States Design Patent**
Nguyen

(10) **Patent No.:** **US D565,566 S**

(45) **Date of Patent:** **** Apr. 1, 2008**

(54) **ELECTRONIC DEVICE**

(57) **CLAIM**

(76) Inventor: **Albert D. Nguyen**, 15661 Butterfield St., Westminster, CA (US) 92683

I claim the ornamental design for an electronic device, as shown and described.

(**) Term: **14 Years**

DESCRIPTION

(21) Appl. No.: **29/271,006**

FIG. 1 is a front-top-right perspective view of an electronic device in accordance with the present design. The electronic device may correspond to a display and/or input device; or a computing device that incorporates a processor, a display, and an input device into an integrated housing;

(22) Filed: **Jan. 6, 2007**

Related U.S. Application Data

(62) Division of application No. 11/351,623, filed on Feb. 10, 2006.

FIG. 2 is a front view thereof;

(51) **LOC (8) Cl.** **14-02**

FIG. 3 is a rear view thereof;

(52) **U.S. Cl.** **D14/341**

FIG. 4 is a top view thereof;

(58) **Field of Classification Search** D14/341-346, D14/126-129, 336, 337, 371, 901; 345/156, 345/168, 169, 172, 173; 341/12; 361/680-686, 361/690-696; 348/180, 184, 325, 739; 349/1, 2, 11, 62; 709/200; 40/442, 800
See application file for complete search history.

FIG. 5 is a bottom view thereof;

FIG. 6 is a left side view thereof;

FIG. 7 is a right side view thereof;

FIG. 8 is a front-top-right perspective view of a second embodiment of my new design;

(56) **References Cited**

U.S. PATENT DOCUMENTS

- 1,652,636 A * 12/1927 Paul 40/442
- 3,829,998 A * 8/1974 Flax 40/800
- D363,468 S * 10/1995 Mieki et al. D14/342
- D476,988 S * 7/2003 Lee D14/341
- D494,583 S * 8/2004 Guerrero et al. D14/336
- D502,152 S * 2/2005 Peng D14/126
- D529,025 S * 9/2006 Yang D14/371
- D529,490 S * 10/2006 Jackson, Jr. D14/341
- 2005/0052837 A1 * 3/2005 Kota et al. 361/683
- 2005/0185103 A1 * 8/2005 Woodard et al. 348/739
- 2005/0243505 A1 * 11/2005 Jackson, Jr. 361/683

FIG. 9 is a front view of the design of FIG. 8;

FIG. 10 is a rear view of the design of FIG. 8;

FIG. 11 is a top view of the design of FIG. 8;

FIG. 12 is a bottom view of the design of FIG. 8;

FIG. 13 is a left side view of the design of FIG. 8;

FIG. 14 is a right side view of the design of FIG. 8;

FIG. 15 is a front-top-right perspective view of a third embodiment of my new design;

FIG. 16 is a front view of the design of FIG. 15;

FIG. 17 is a rear view of the design of FIG. 15;

FIG. 18 is a top view of the design of FIG. 15;

FIG. 19 is a bottom view of the design of FIG. 15;

FIG. 20 is a left side view of the design of FIG. 15;

FIG. 21 is a right side view of the design of FIG. 15;

FIG. 22 is a front-top-right perspective view of a fourth embodiment of my new design;

FIG. 23 is a front view of the design of FIG. 22;

FIG. 24 is a rear view of the design of FIG. 22;

* cited by examiner

Primary Examiner—Freda S. Nunn

(74) *Attorney, Agent, or Firm*—Blakely, Sokoloff, Taylor & Zafman

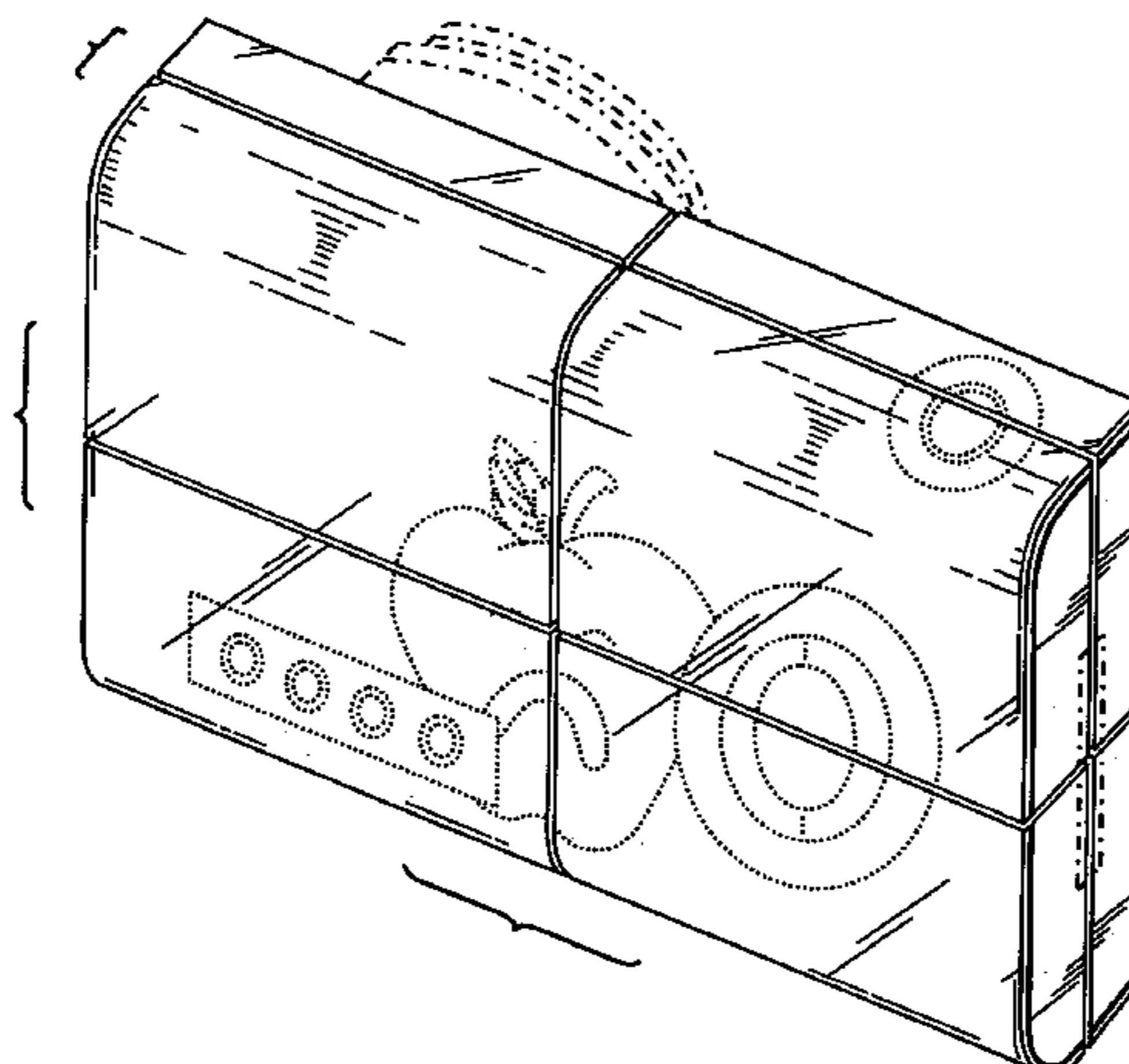


FIG. 25 is a top view of the design of FIG. 22;
FIG. 26 is a bottom view of the design of FIG. 22;
FIG. 27 is a left side view of the design of FIG. 22;
FIG. 28 is a right side view of the design of FIG. 22;
FIG. 29 is a front-top-right perspective view of a fifth embodiment of my new design;
FIG. 30 is a front view of the design of FIG. 29;
FIG. 31 is a rear view of the design of FIG. 29;
FIG. 32 is a top view of the design of FIG. 29;
FIG. 33 is a bottom view of the design of FIG. 29;
FIG. 34 is a left side view of the design of FIG. 29; and,
FIG. 35 is a right side view of the design of FIG. 29.

The characteristic feature of the design resides in the luminosity of the top surface, the front surface, and the bottom surface of the electronic device as best depicted in the front-top-right perspective views, left side views, and right side views in the multiple embodiments disclosed herein—

the luminosity resulting from the illumination provided by a light source or the display of the electronic device.

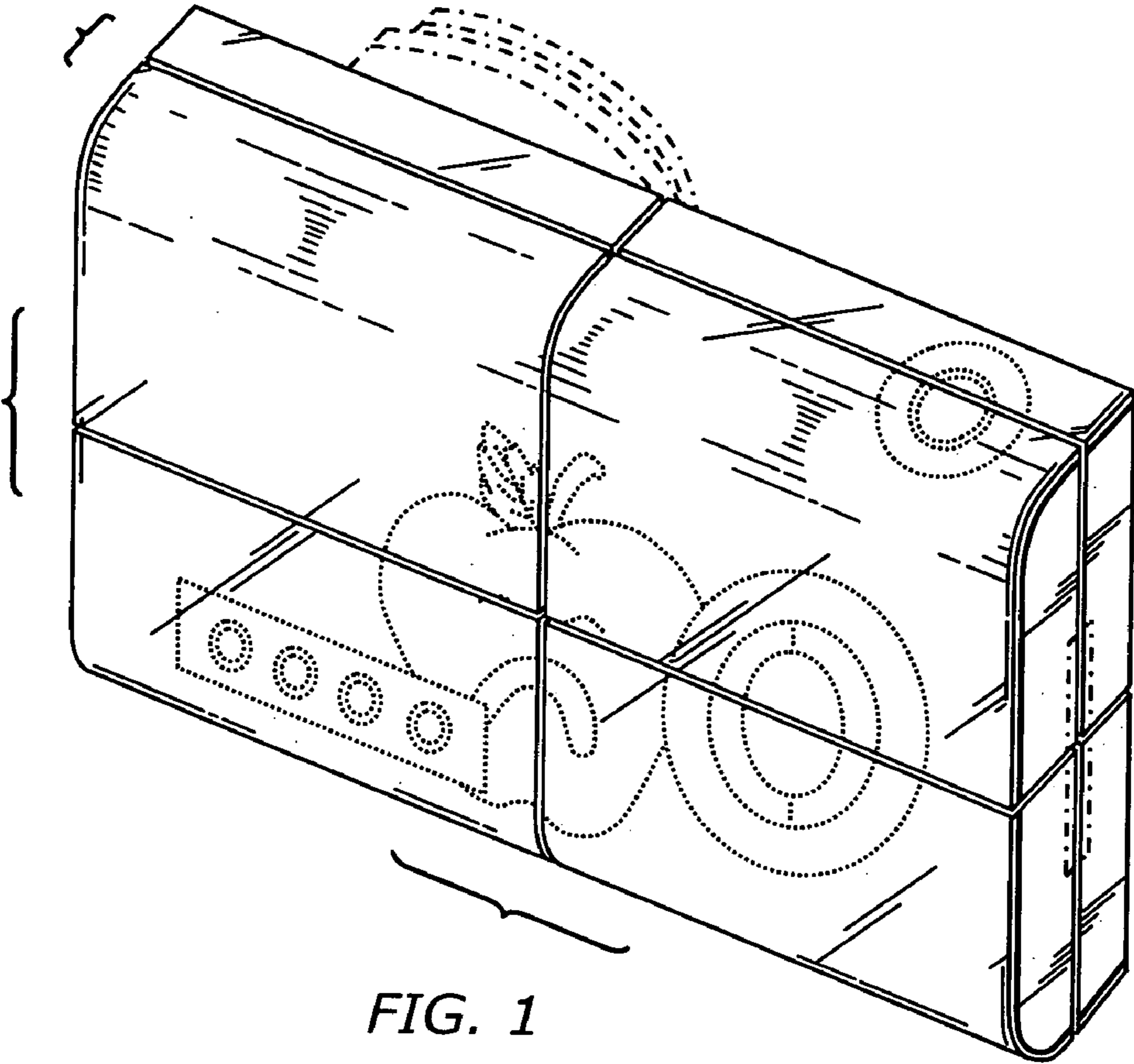
The electronic device has been shown broken away throughout the drawing views to indicate that the claimed design has indeterminate length, width and height.

The dotted lines (••••••••••) showing the graphical elements outputted by the display are for illustrative purposes only and form no part of the claimed design.

The dash-dotted lines (-•-•-•-) are shown in the drawing views for illustrative purposes only and form no part of the claimed design.

It is understood that the display enclosure portion of the electronic device—as best shown in the front-top-right perspective views, rear views, left side views, and right side views in the multiple embodiments—has no substantial thickness.

1 Claim, 15 Drawing Sheets



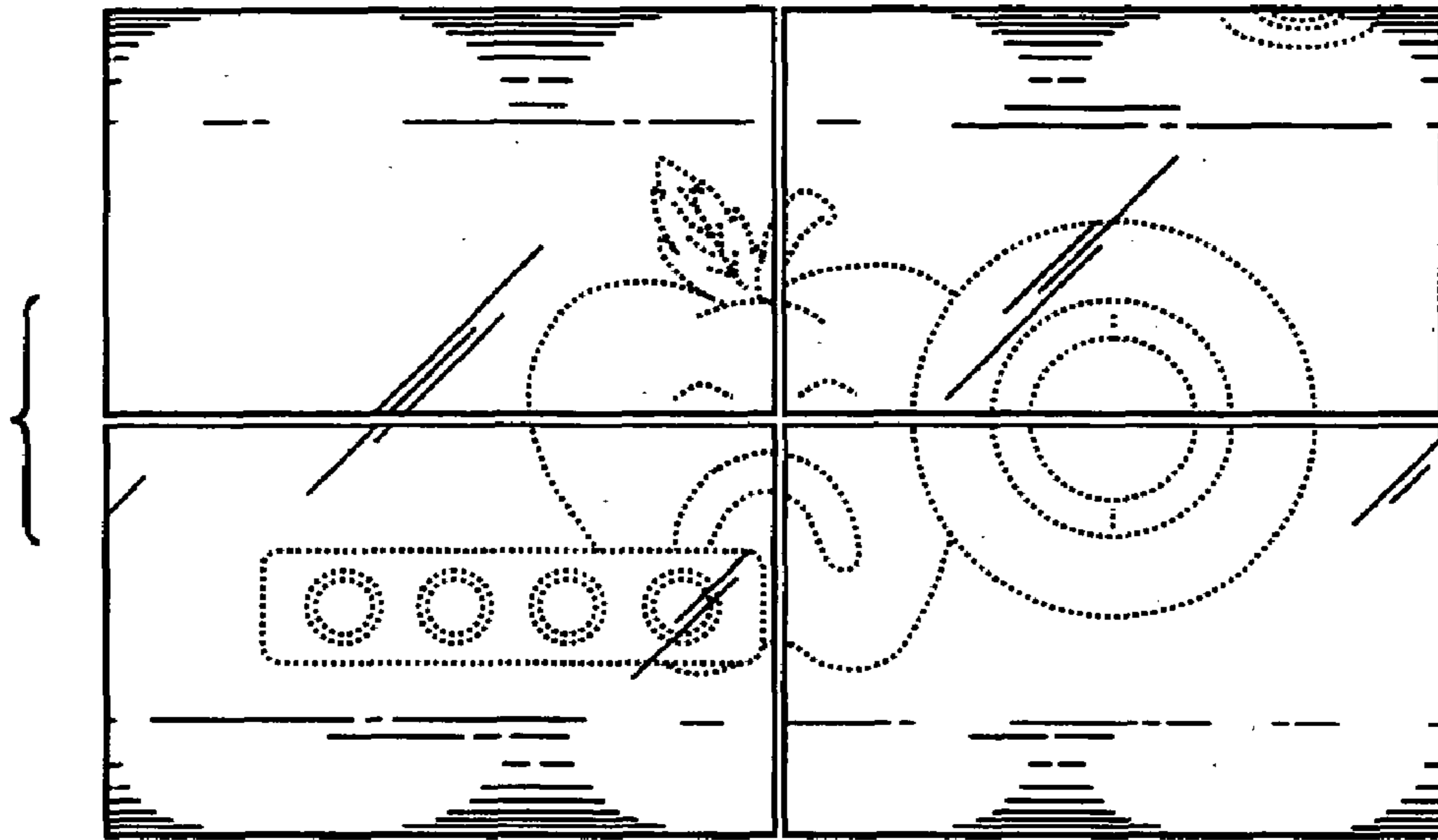


FIG. 2

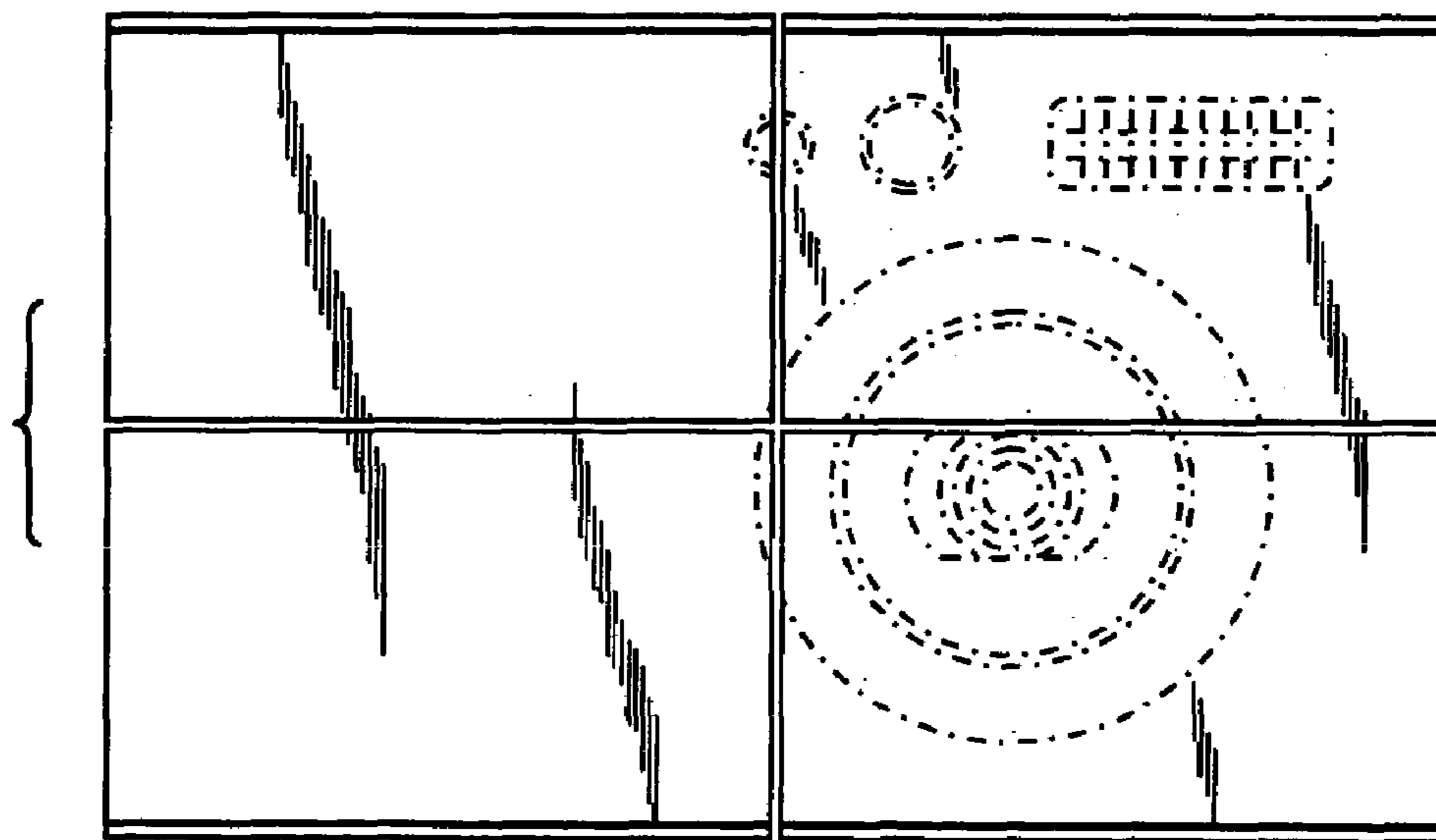


FIG. 3

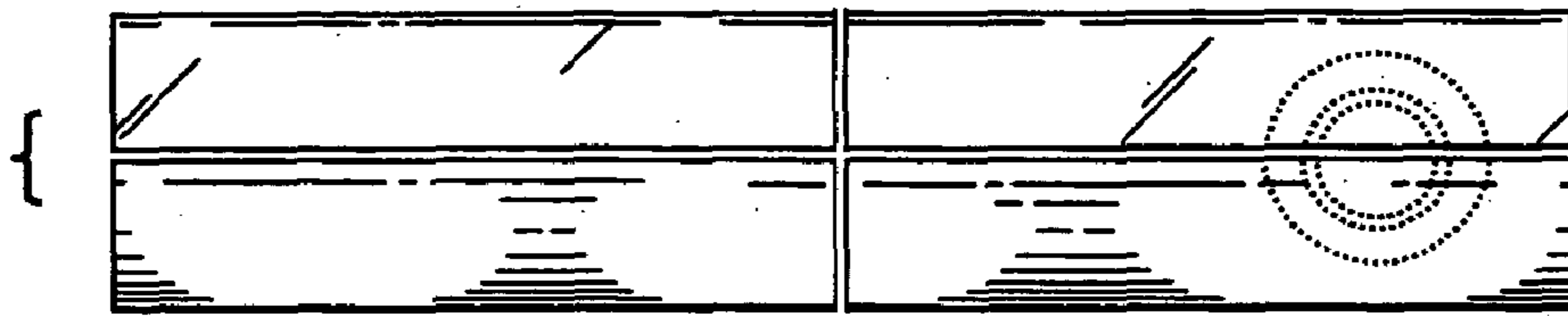


FIG. 4

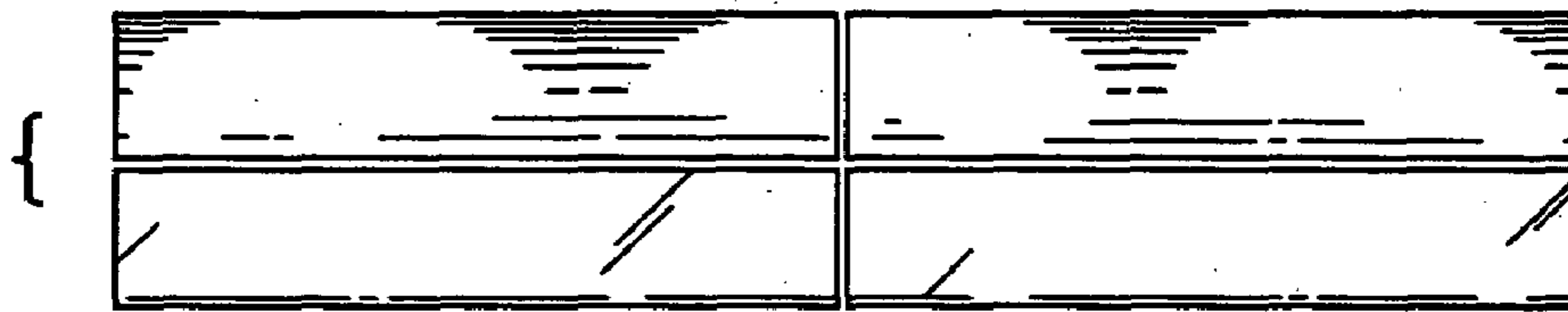


FIG. 5

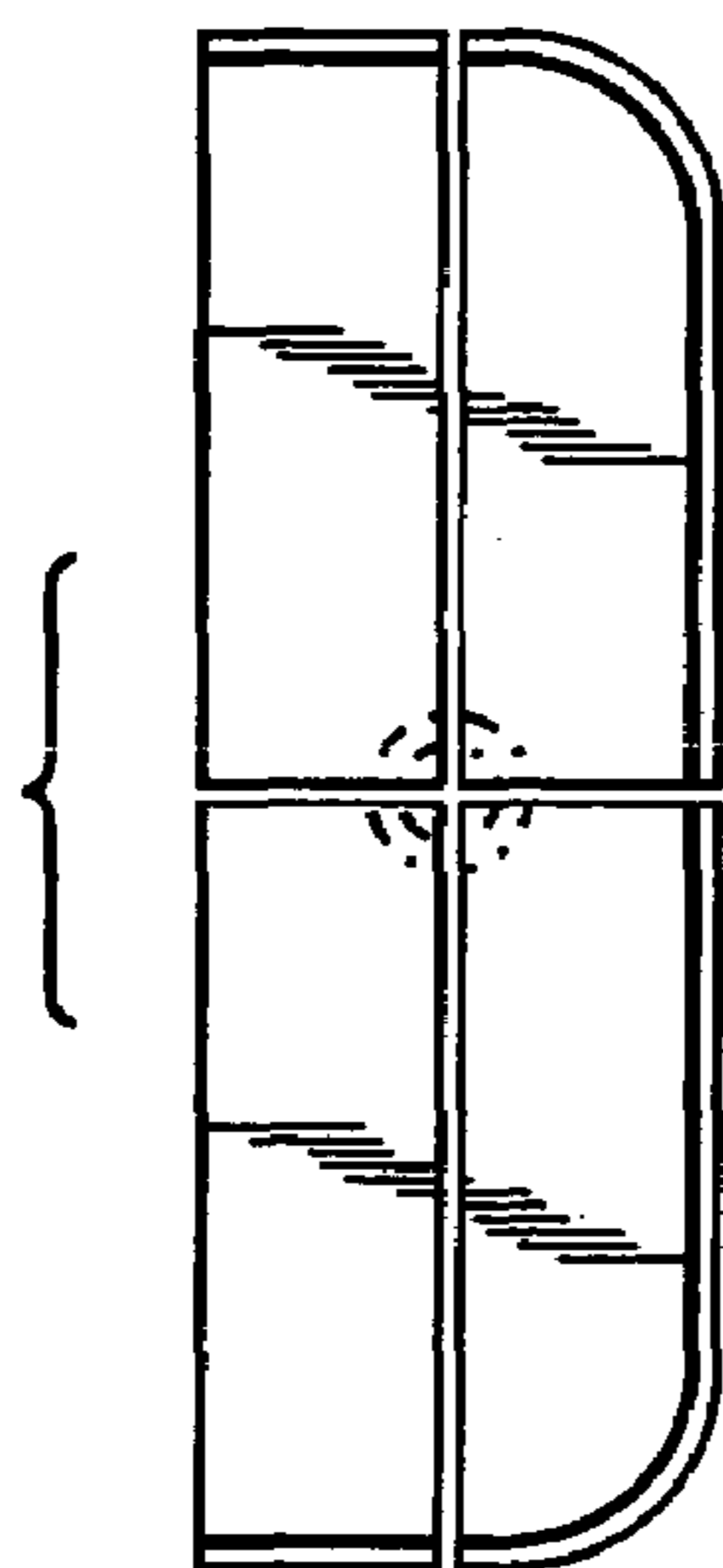


FIG. 6

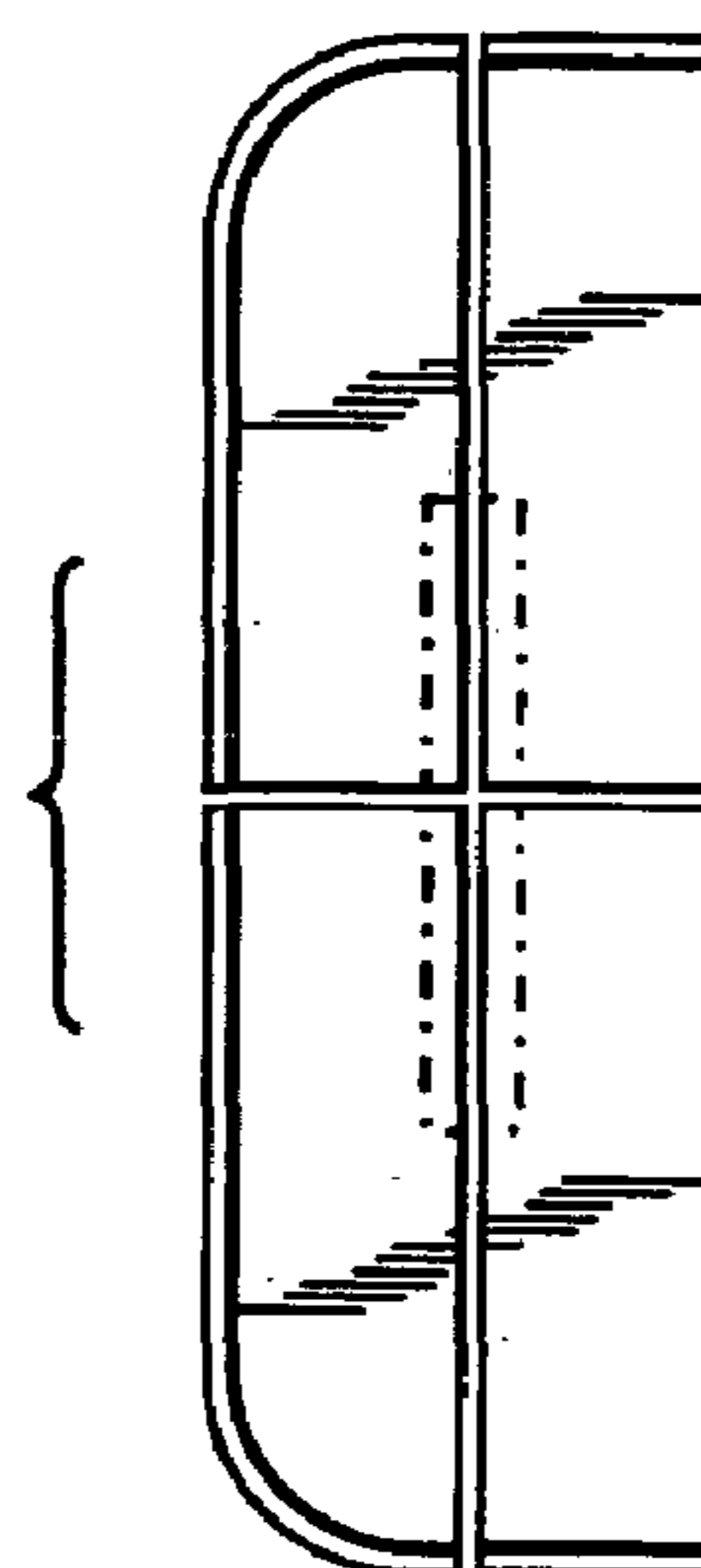


FIG. 7

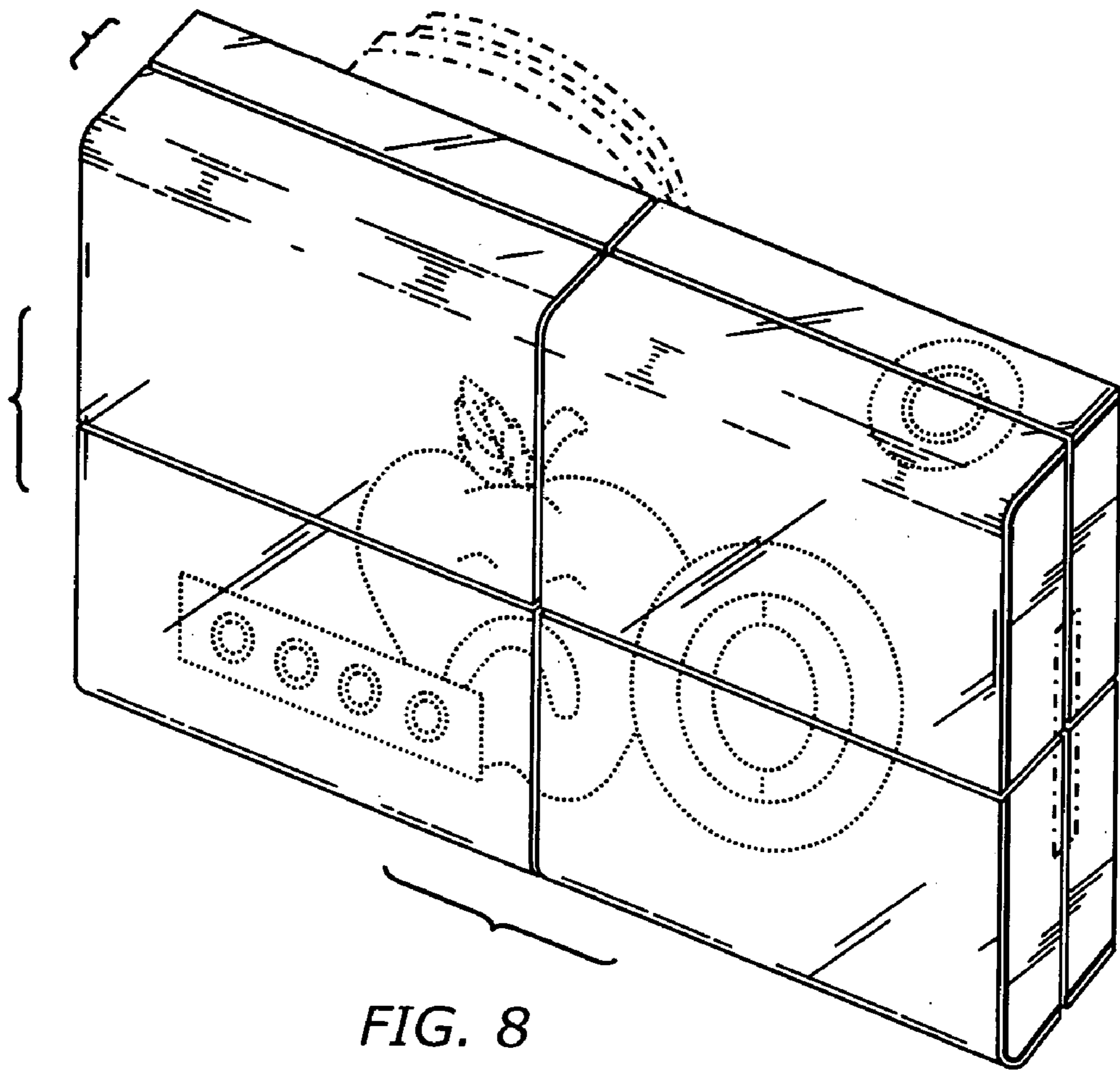


FIG. 8

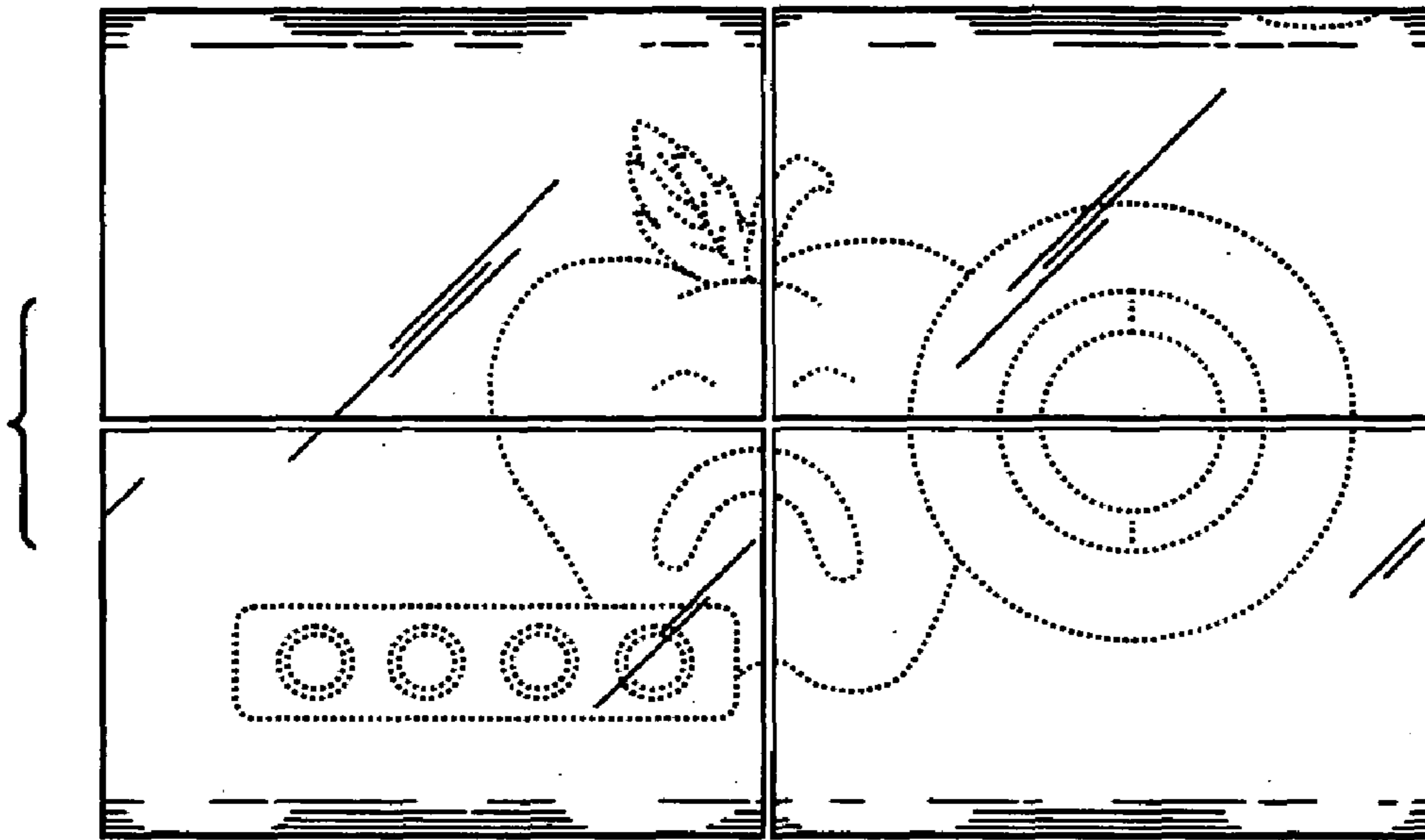


FIG. 9

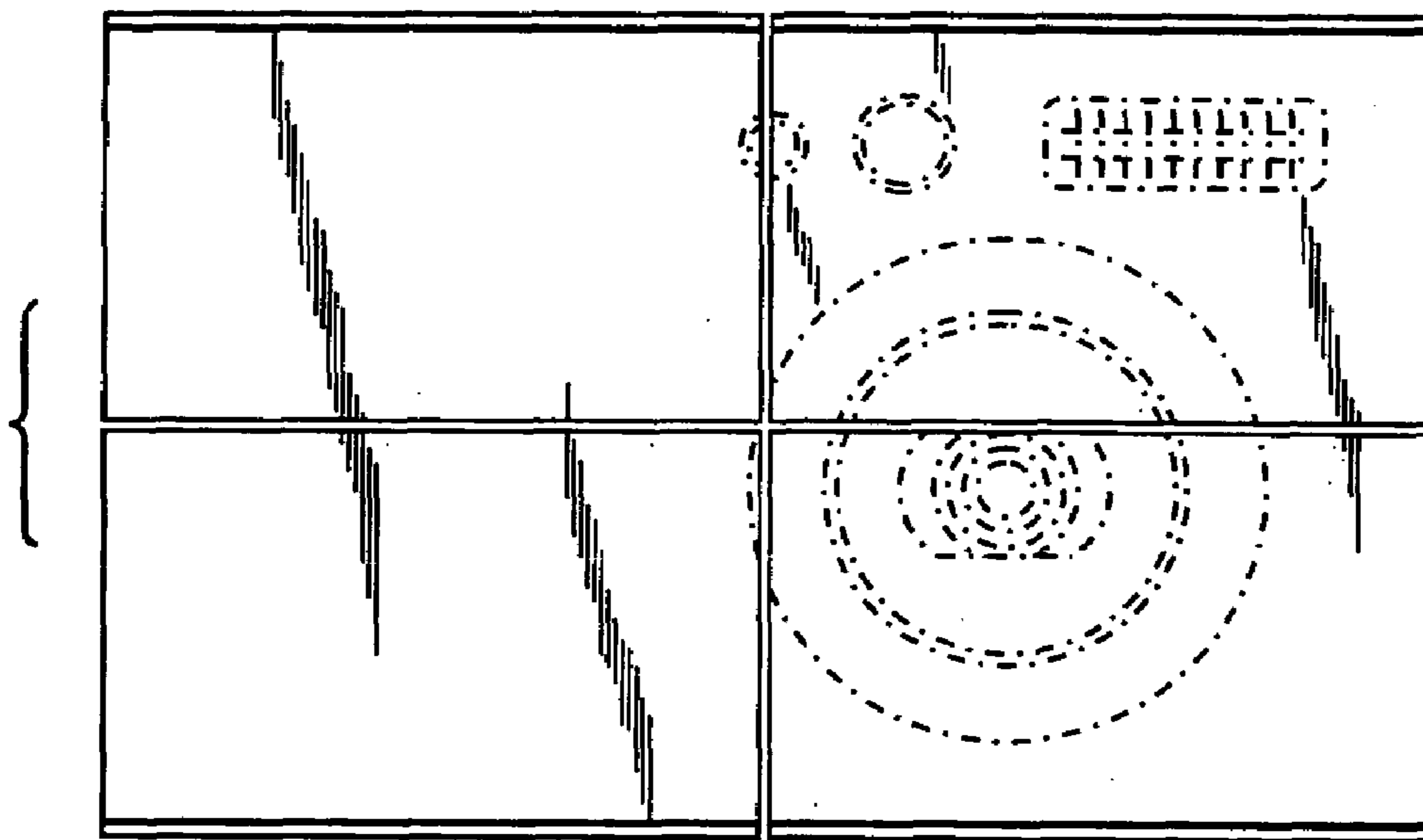


FIG. 10

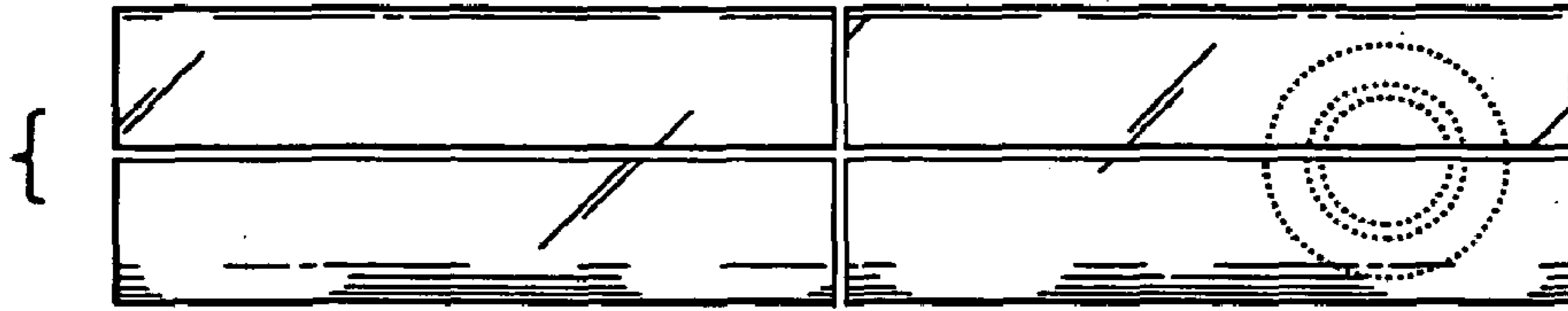


FIG. 11

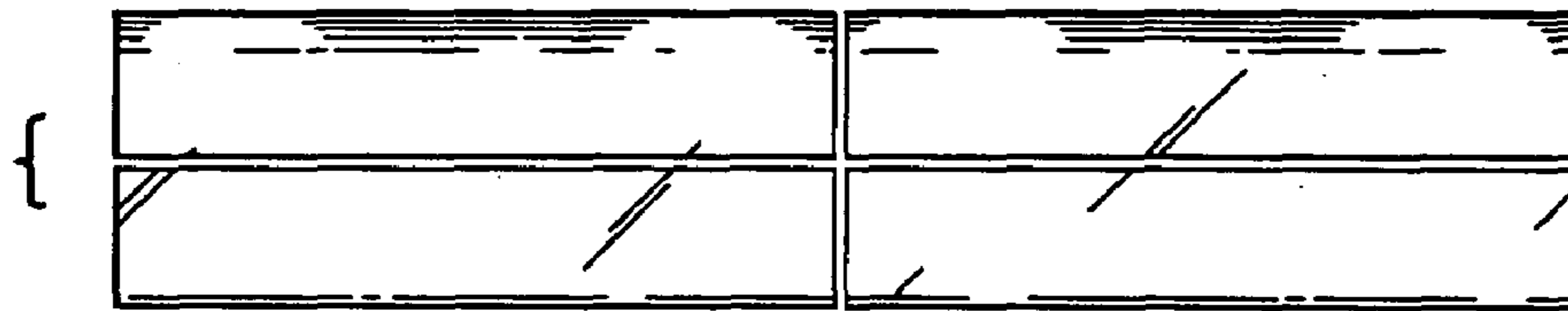


FIG. 12

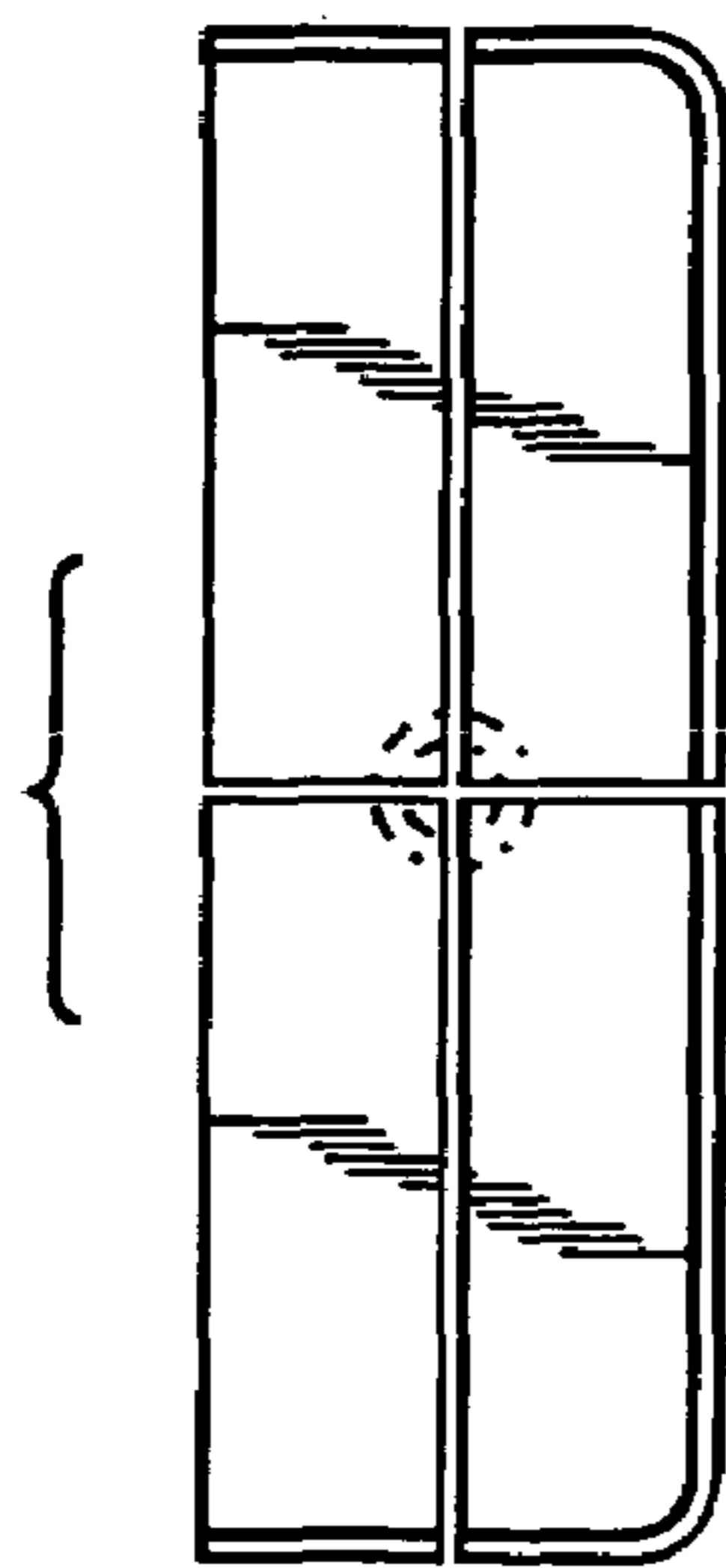


FIG. 13

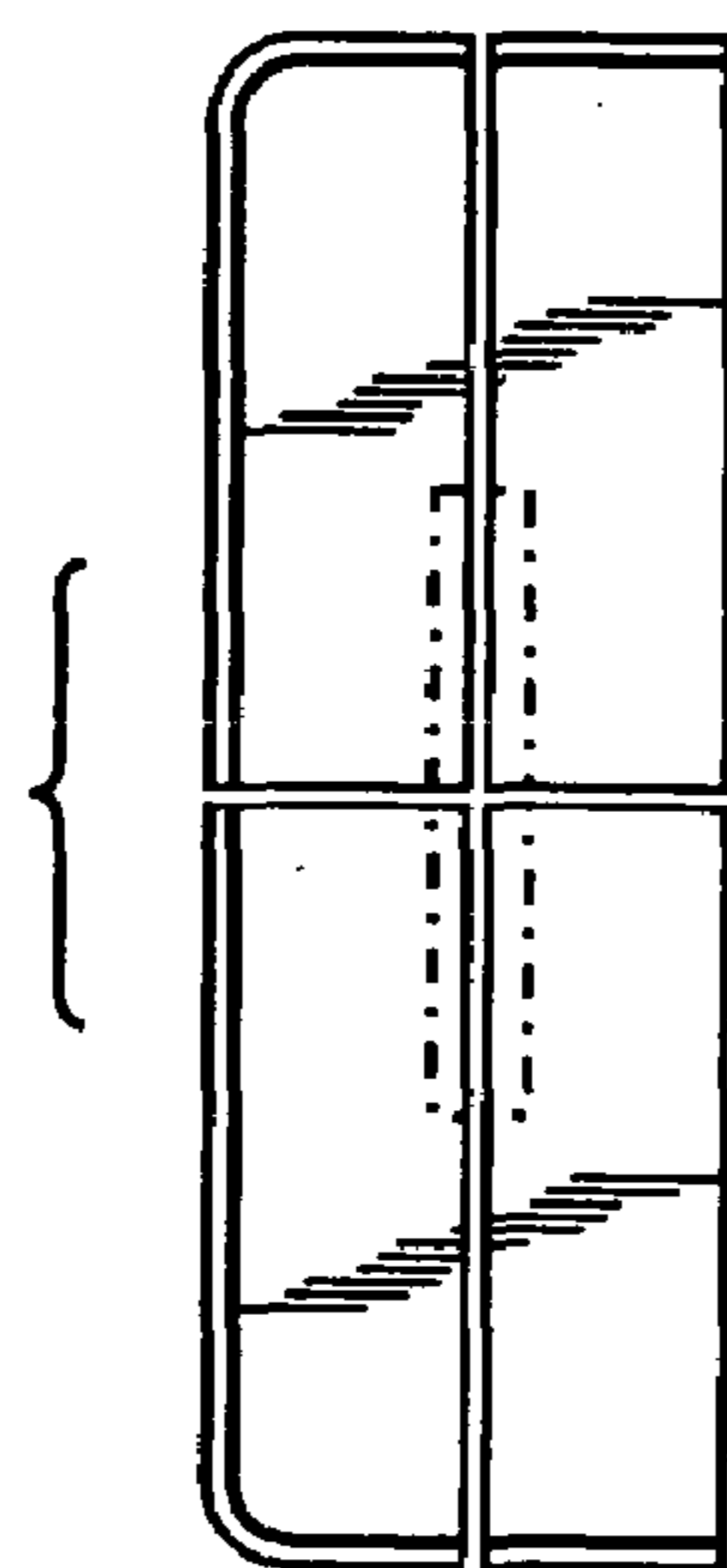
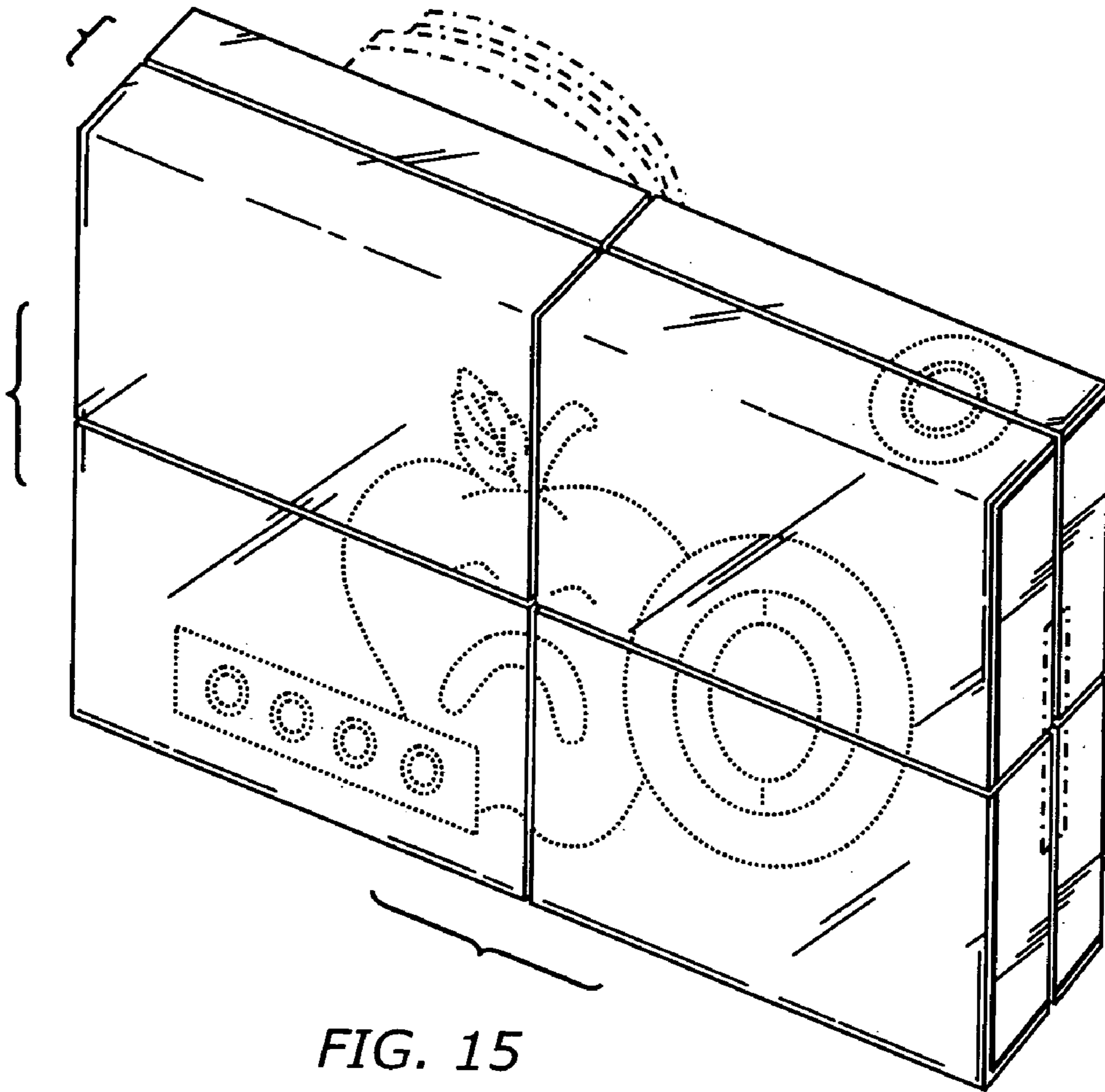


FIG. 14



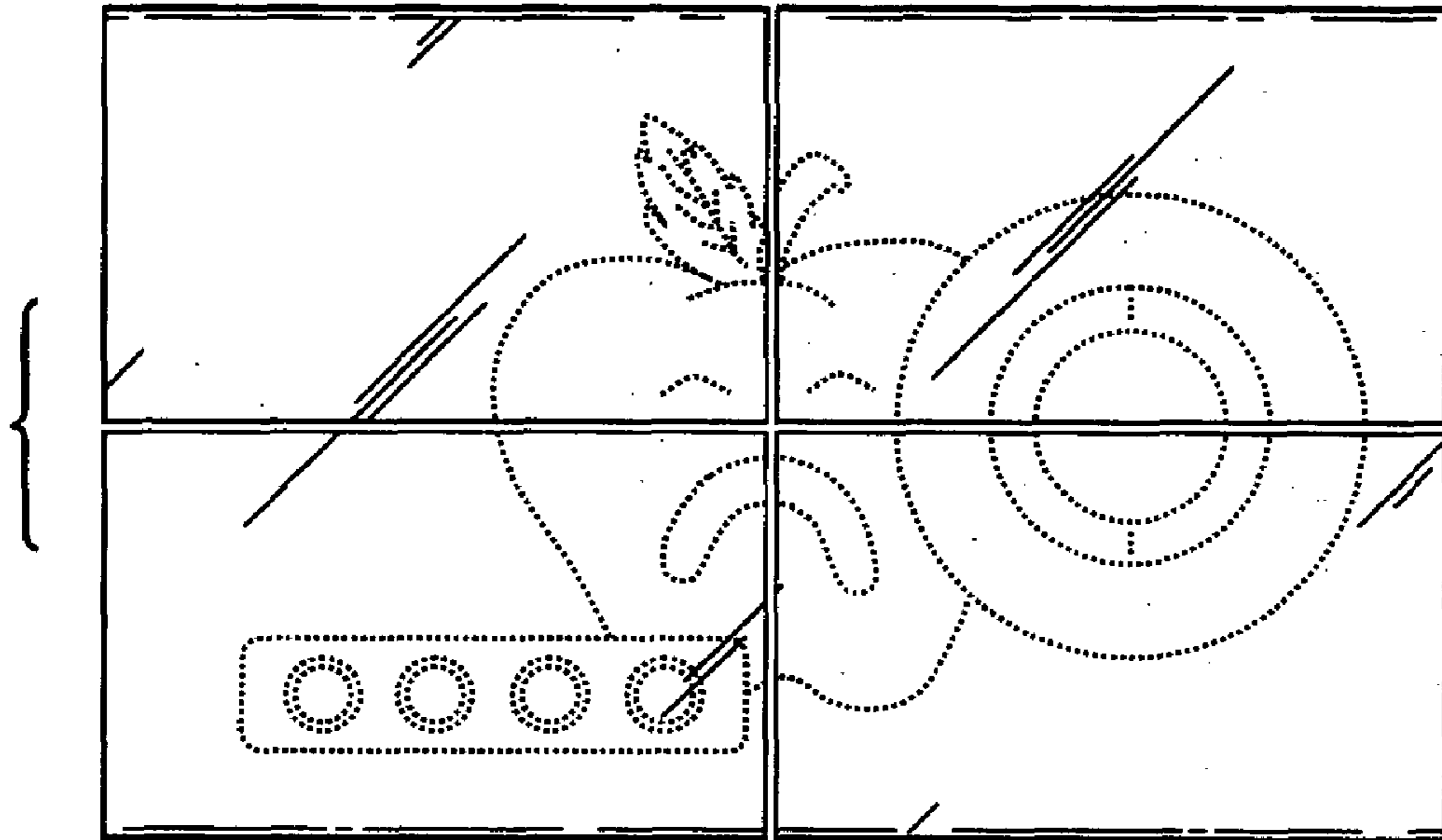


FIG. 16

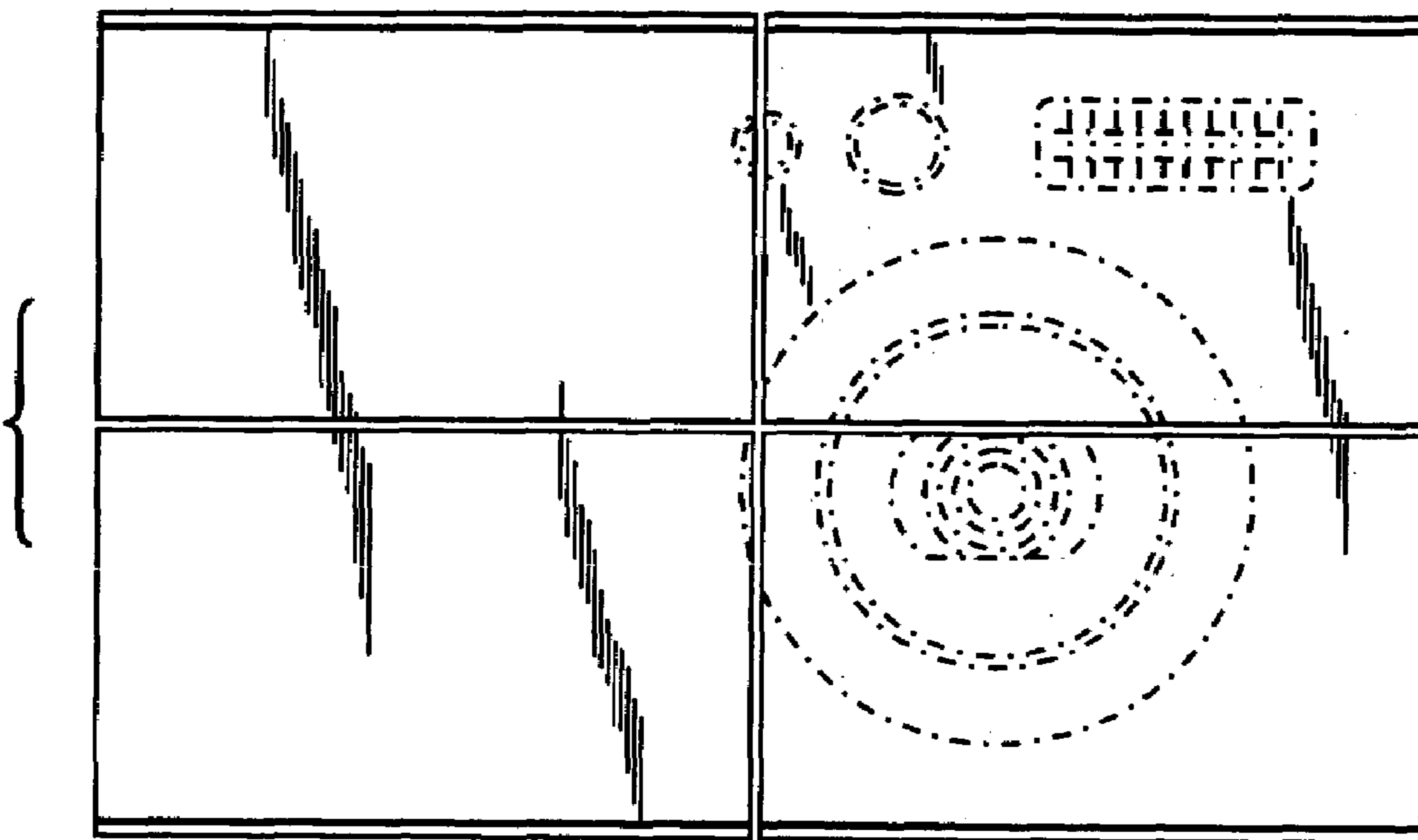


FIG. 17

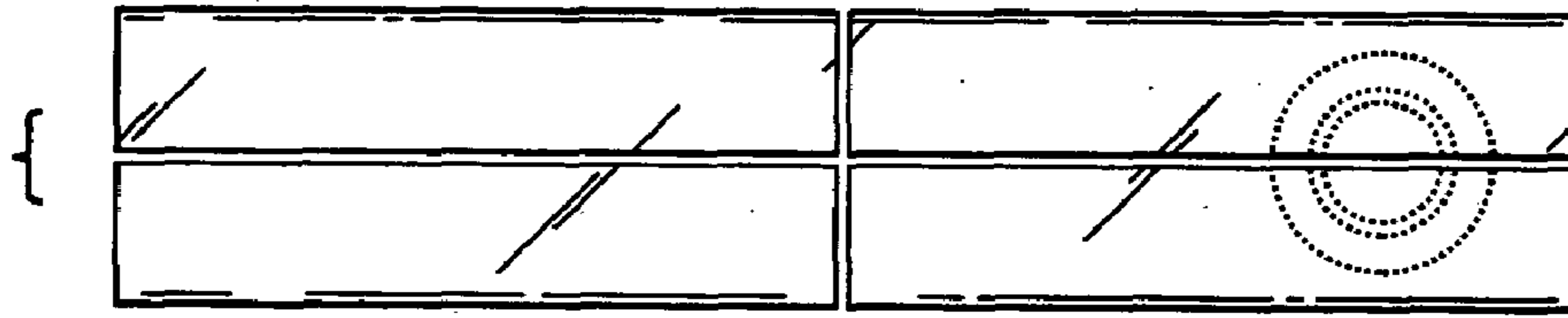


FIG. 18

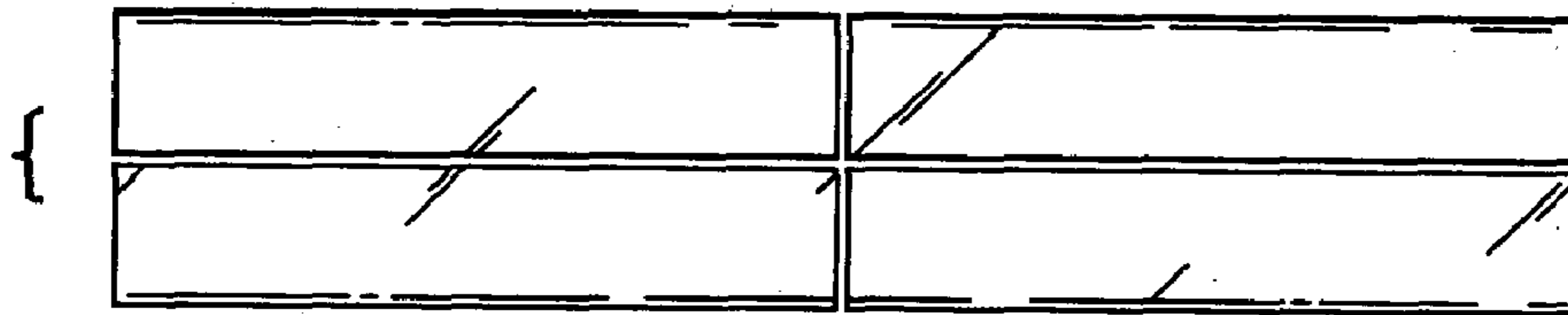


FIG. 19

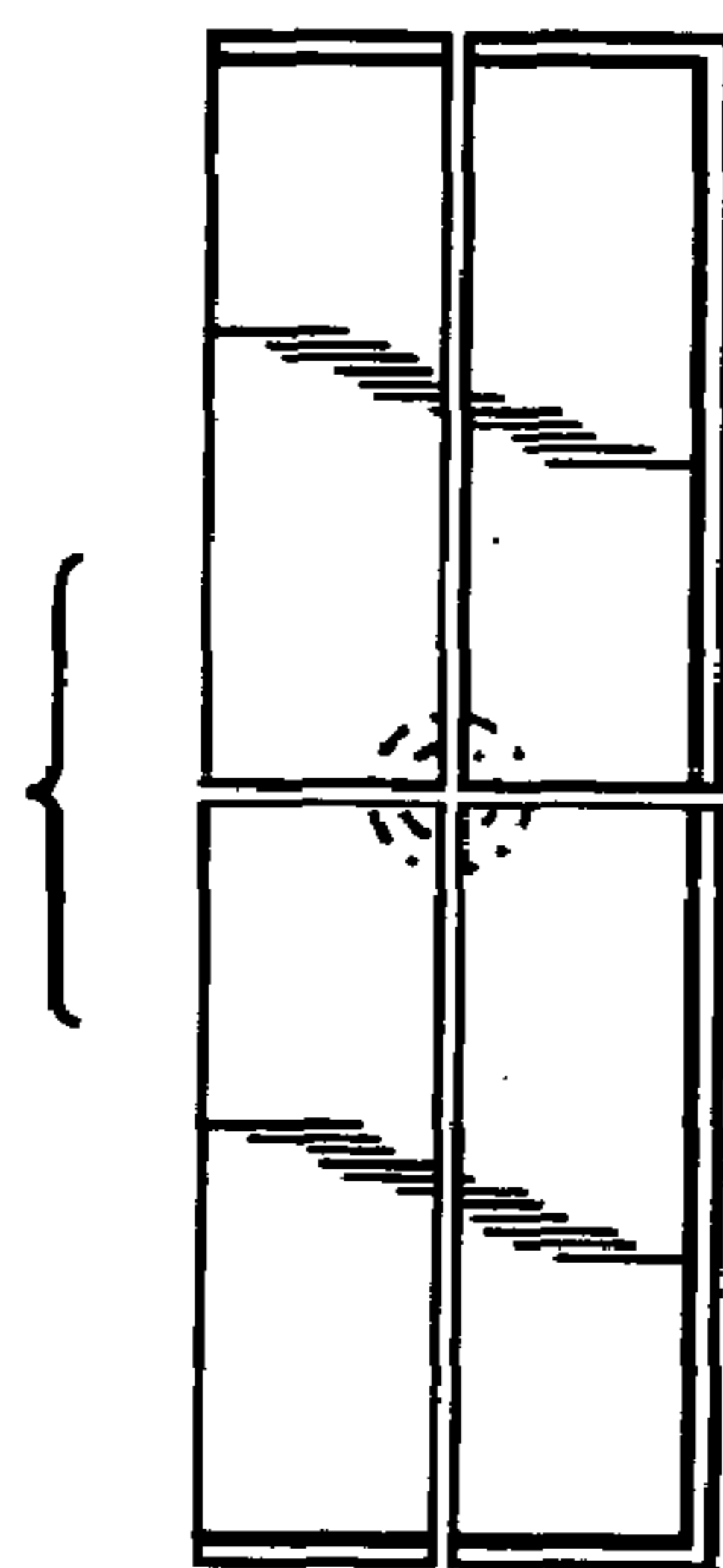


FIG. 20

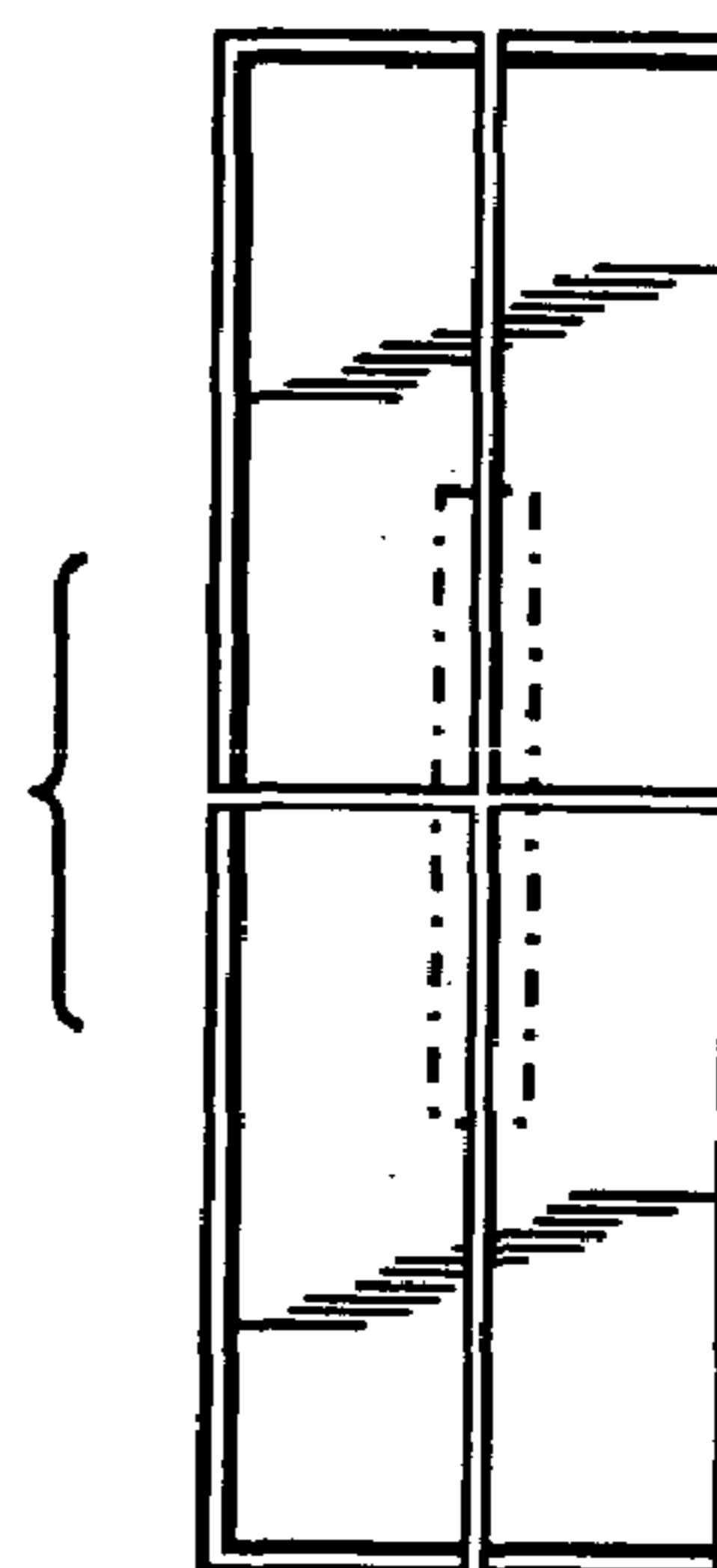


FIG. 21

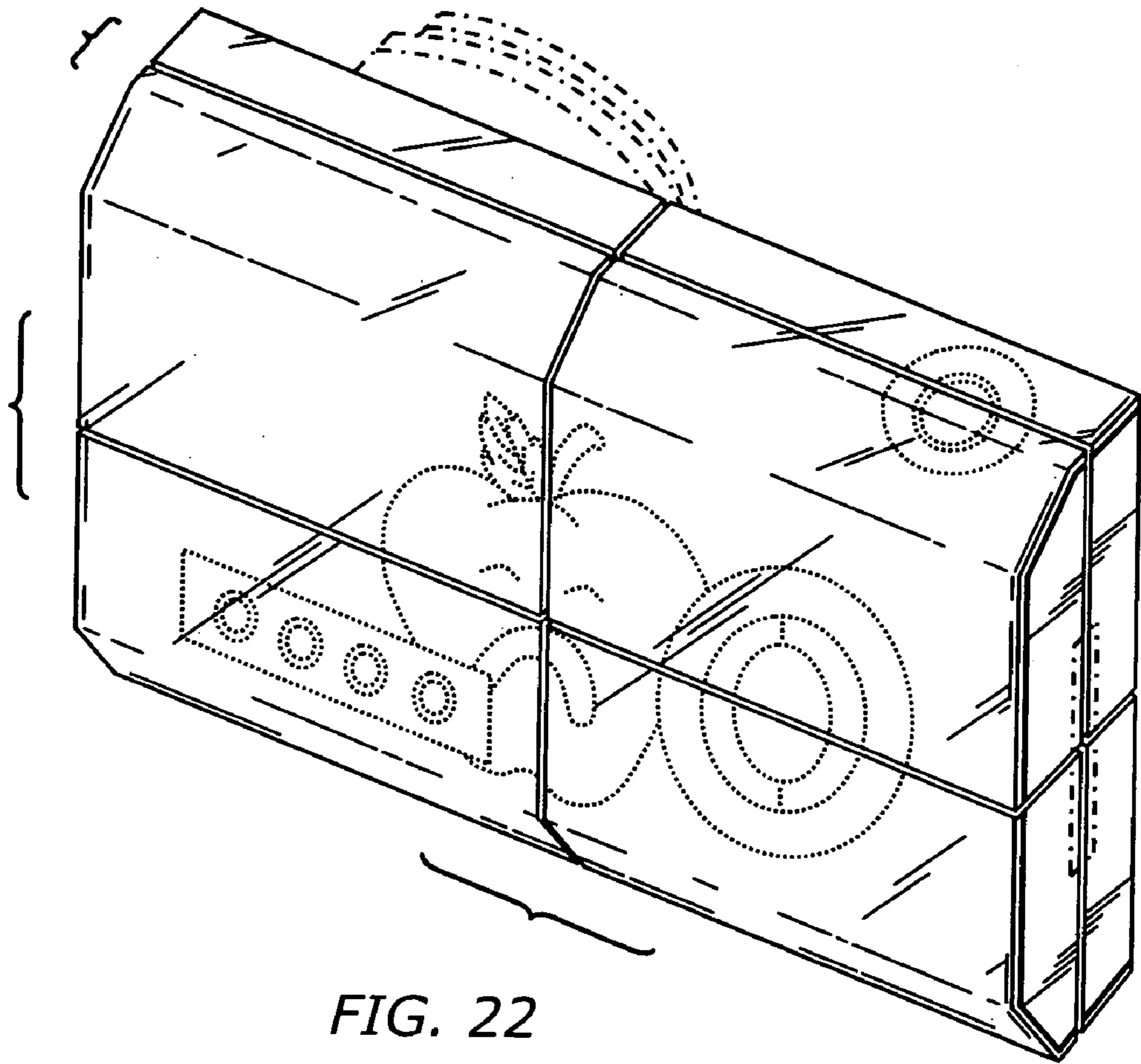


FIG. 22

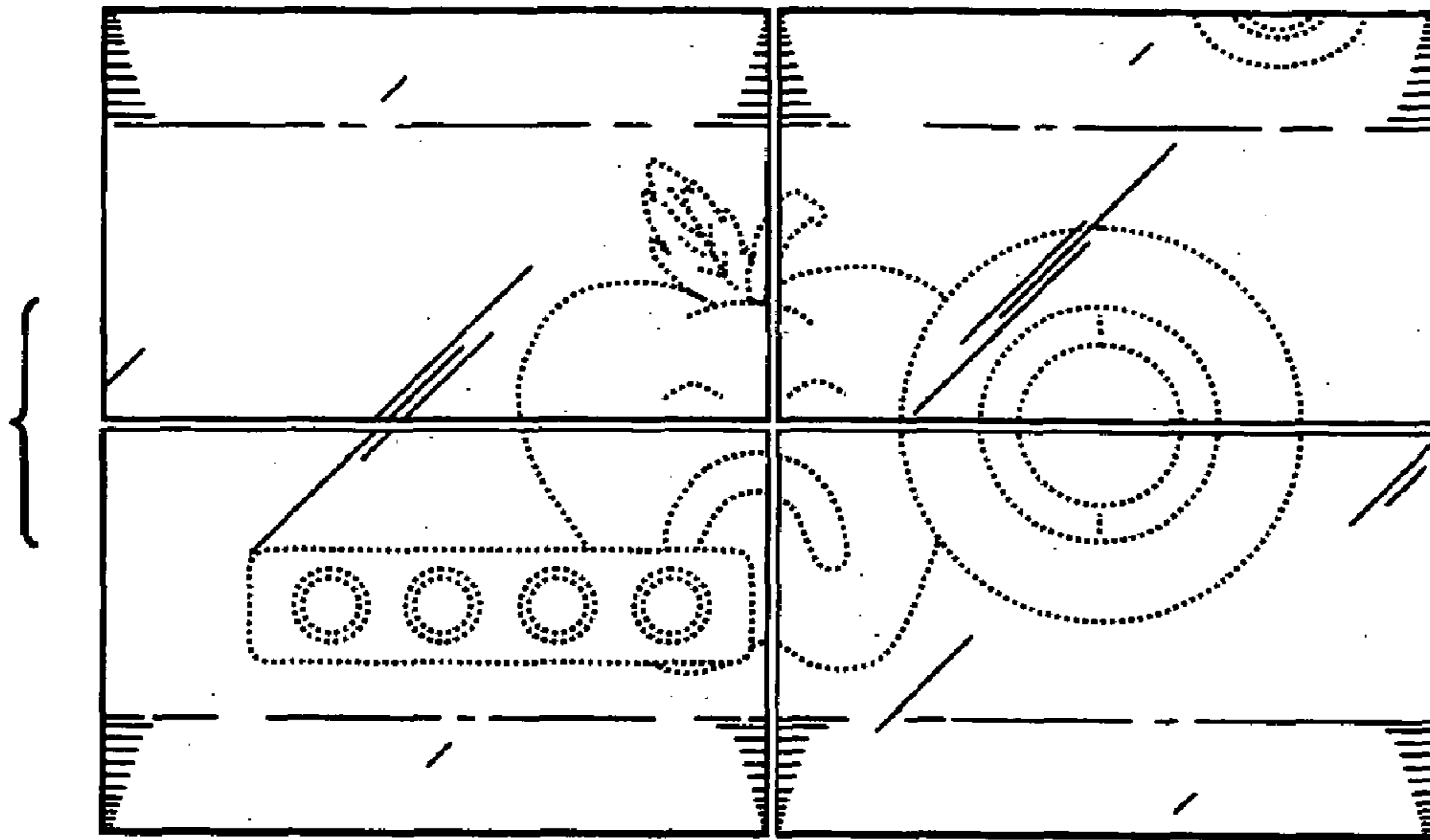


FIG. 23

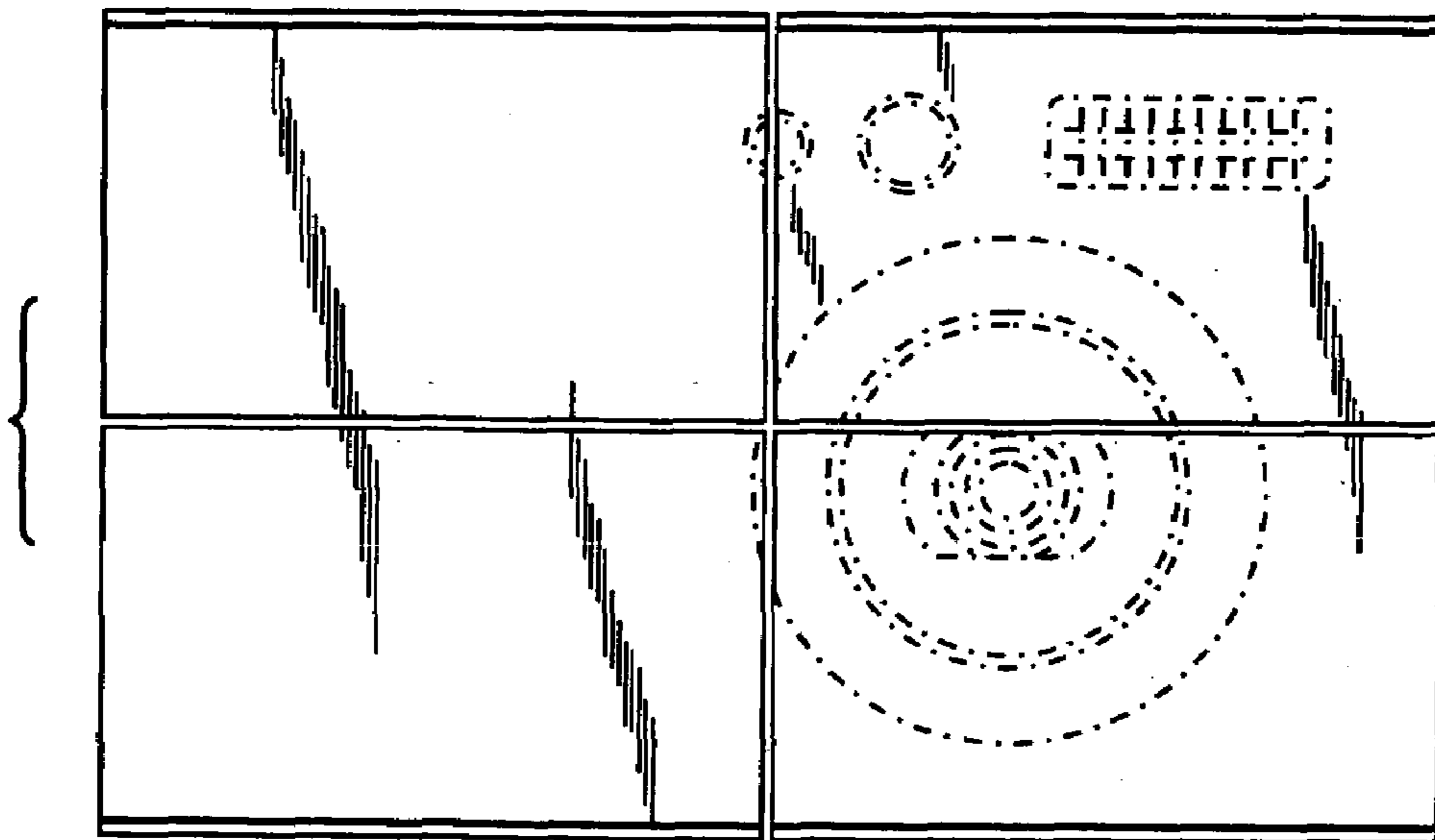


FIG. 24

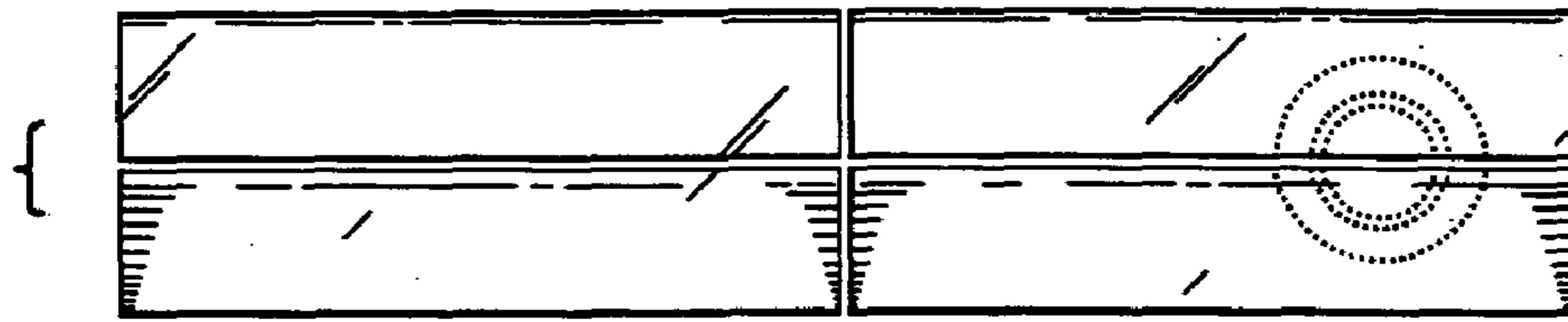


FIG. 25

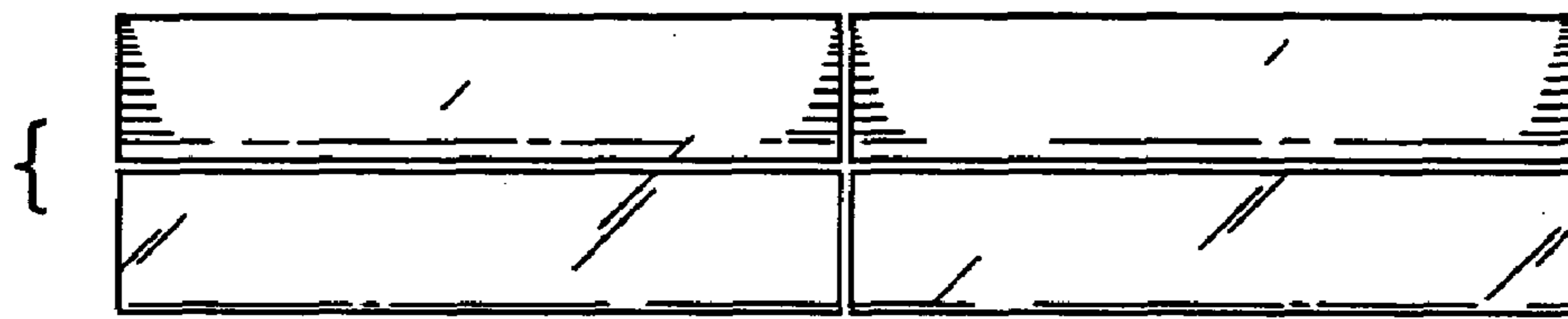


FIG. 26

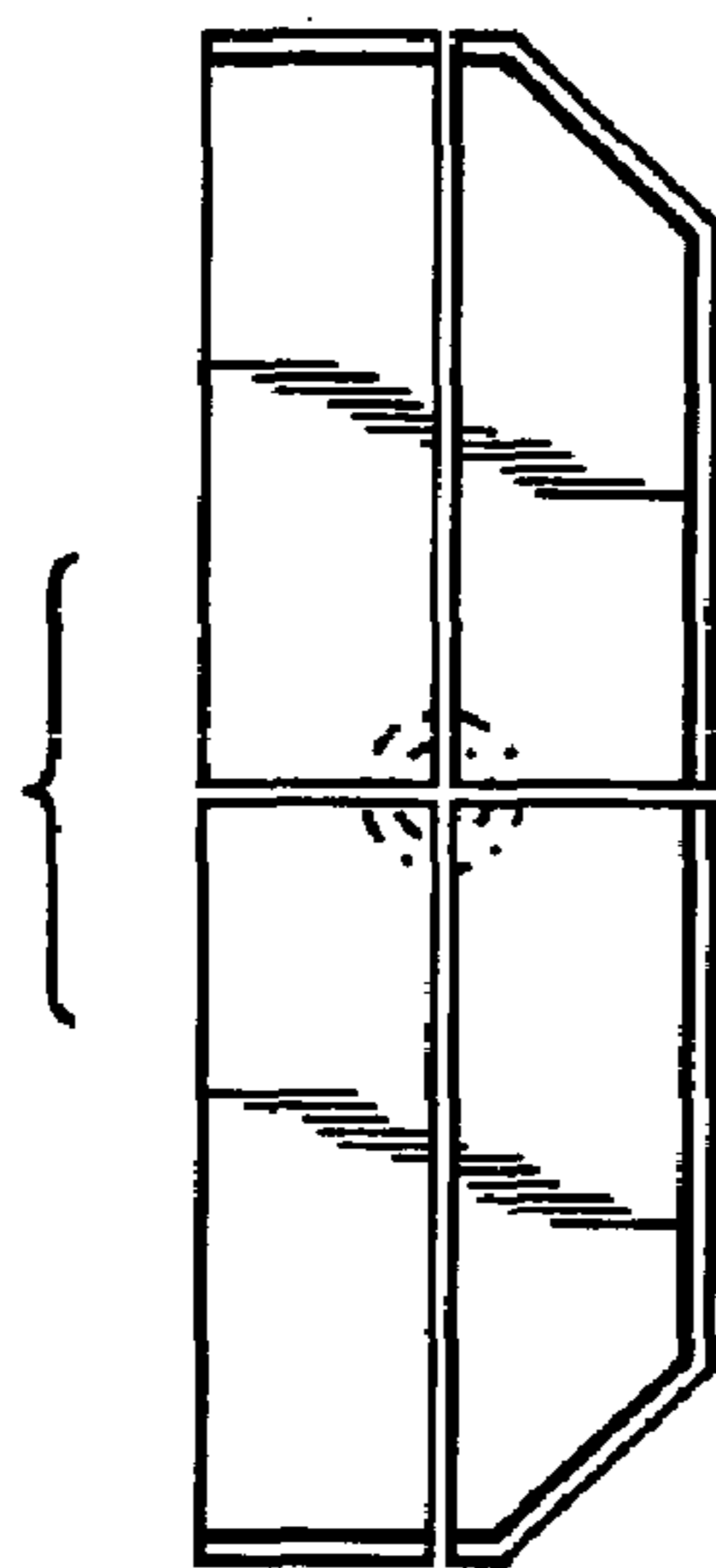


FIG. 27

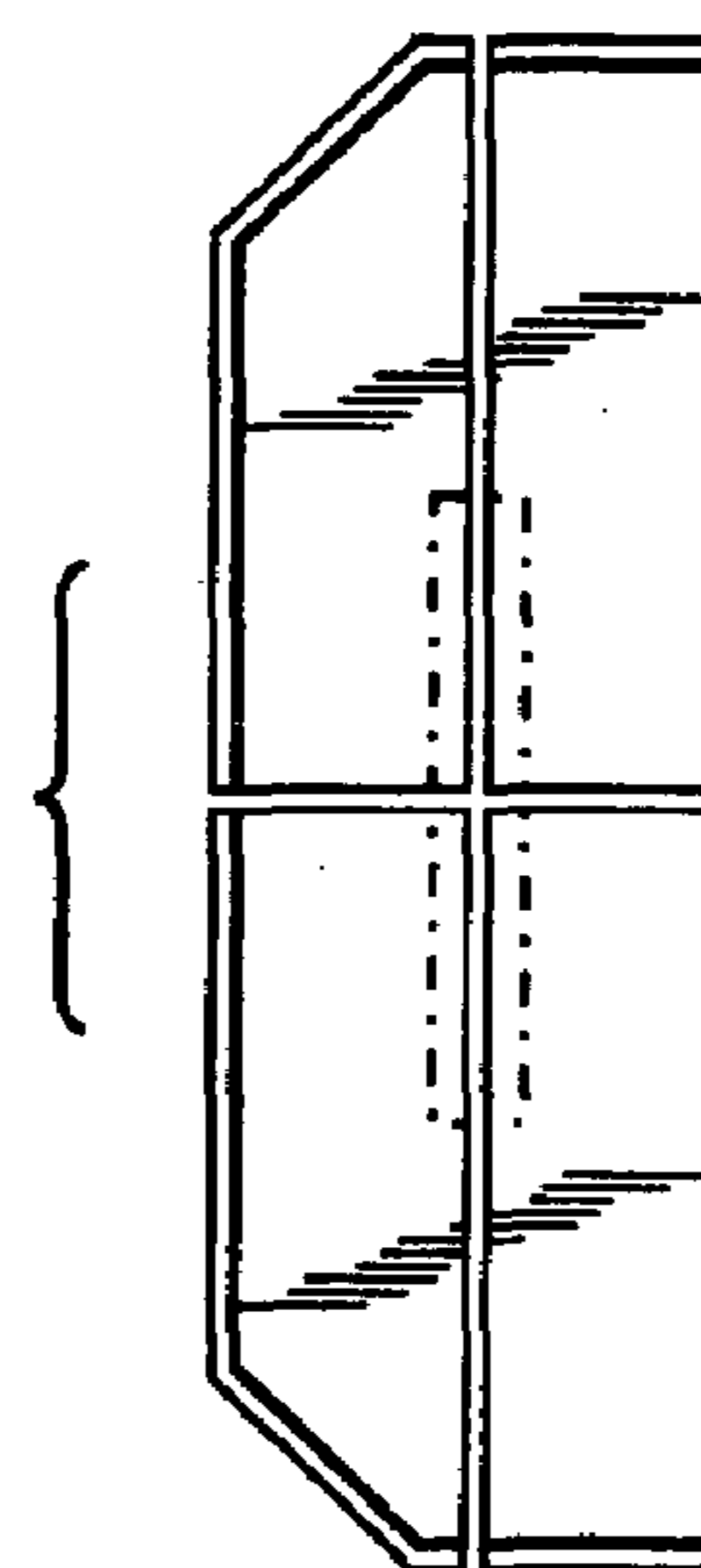


FIG. 28

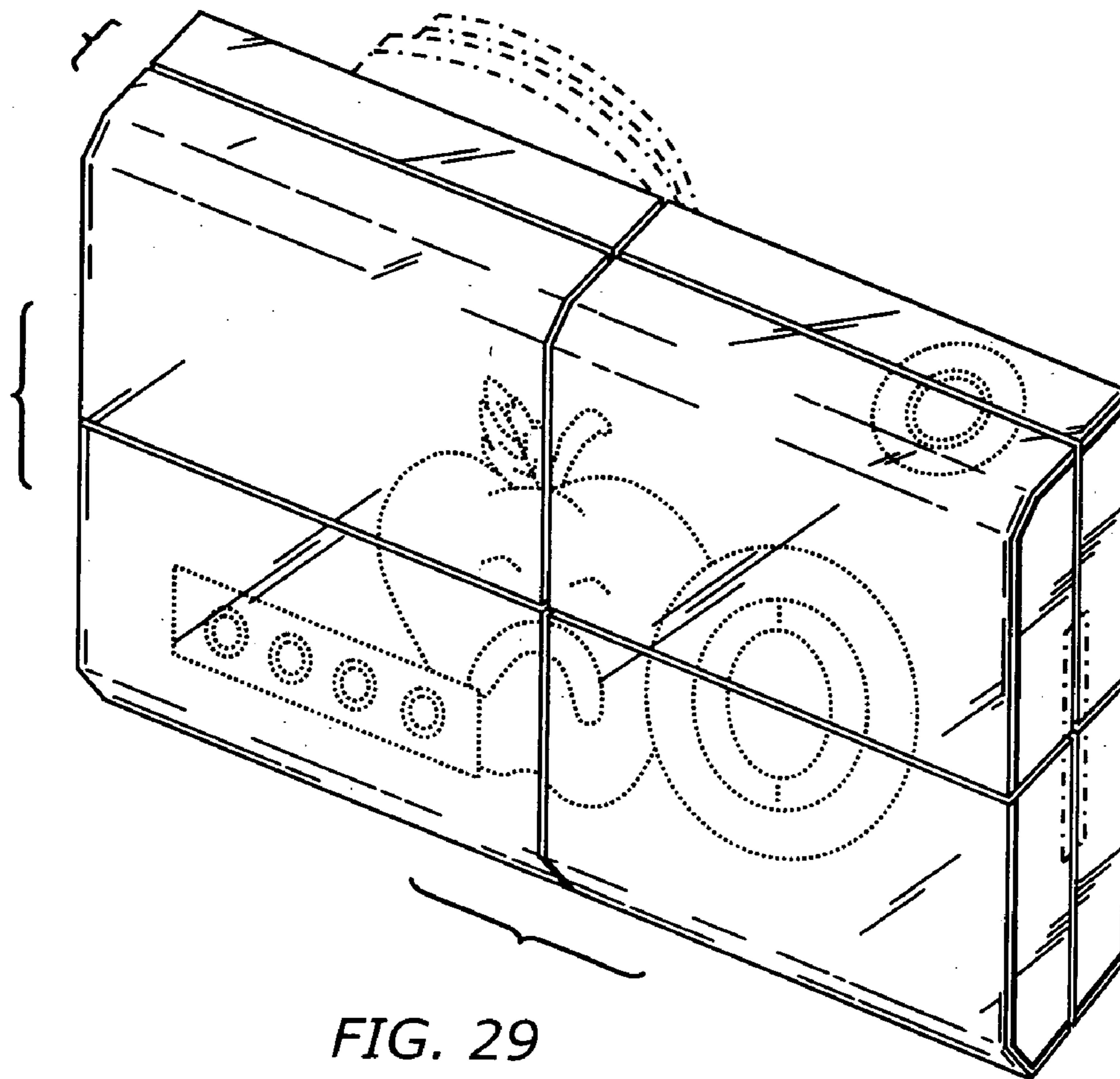


FIG. 29

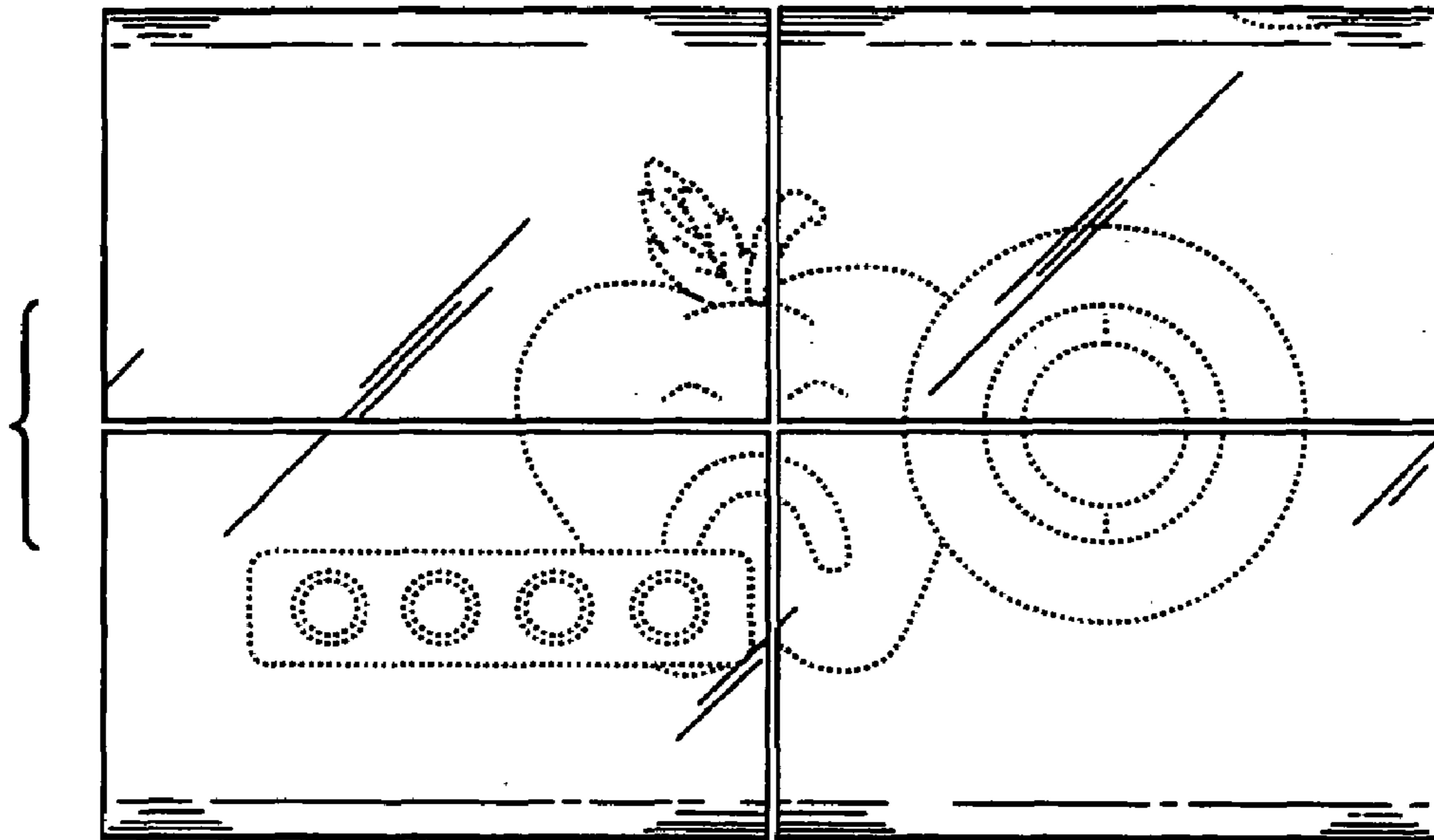


FIG. 30

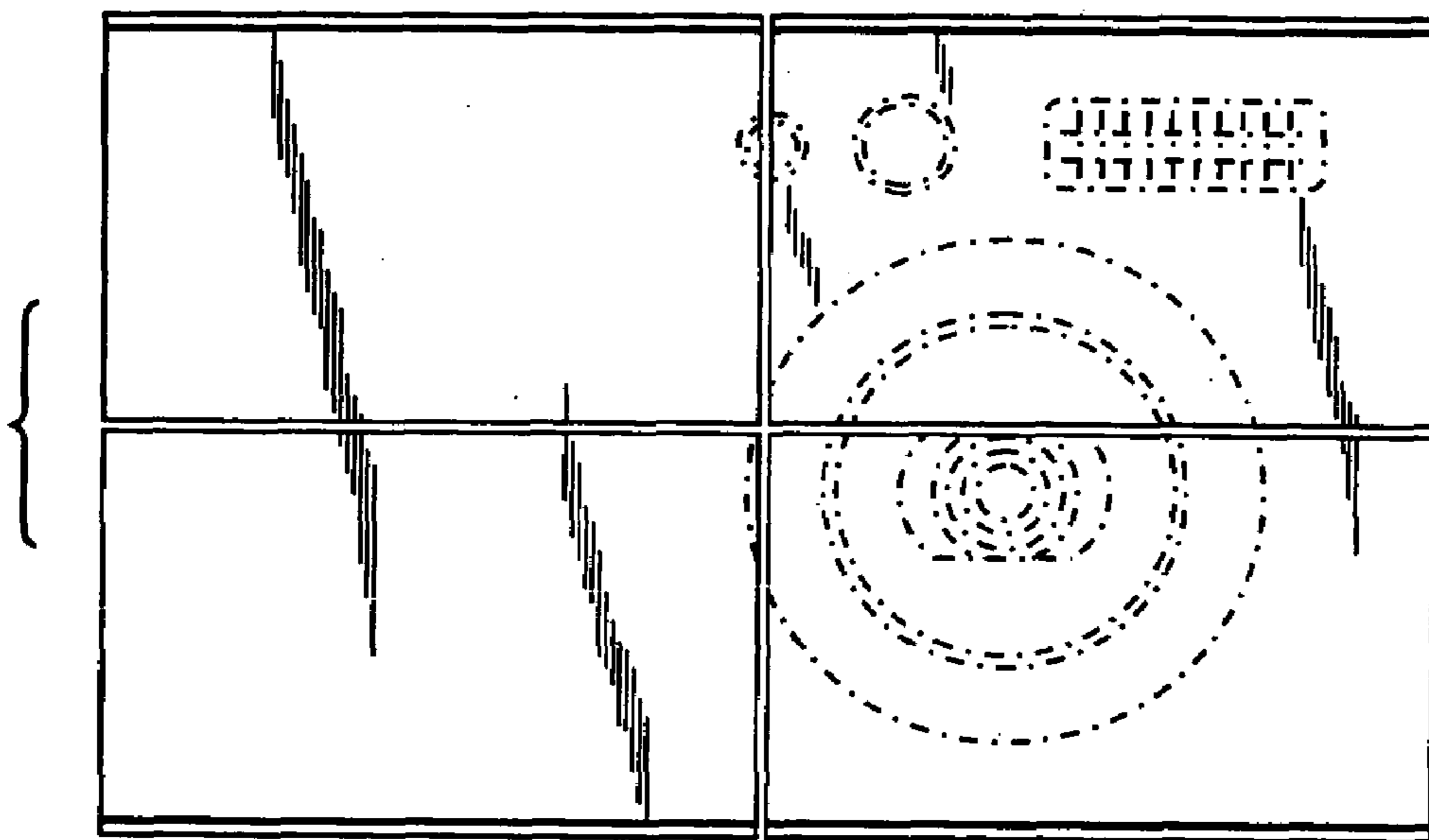


FIG. 31

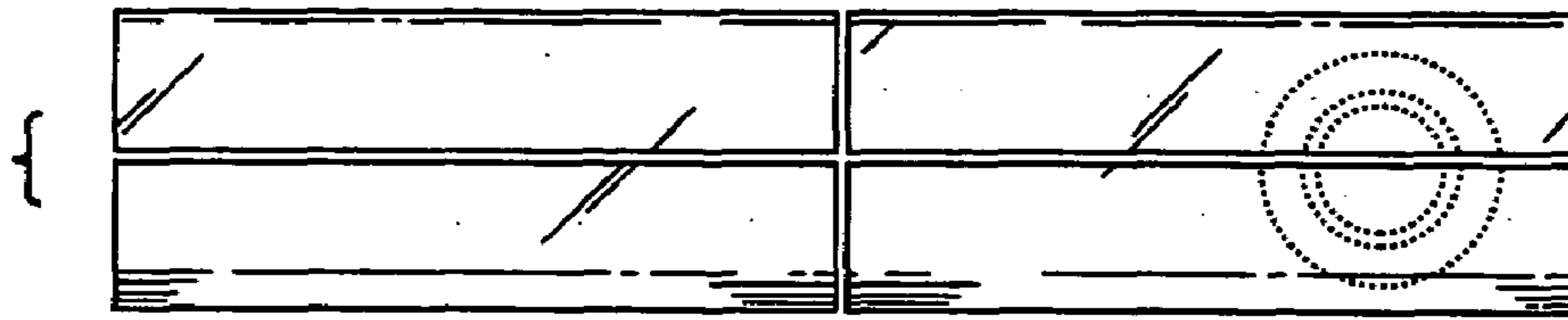


FIG. 32

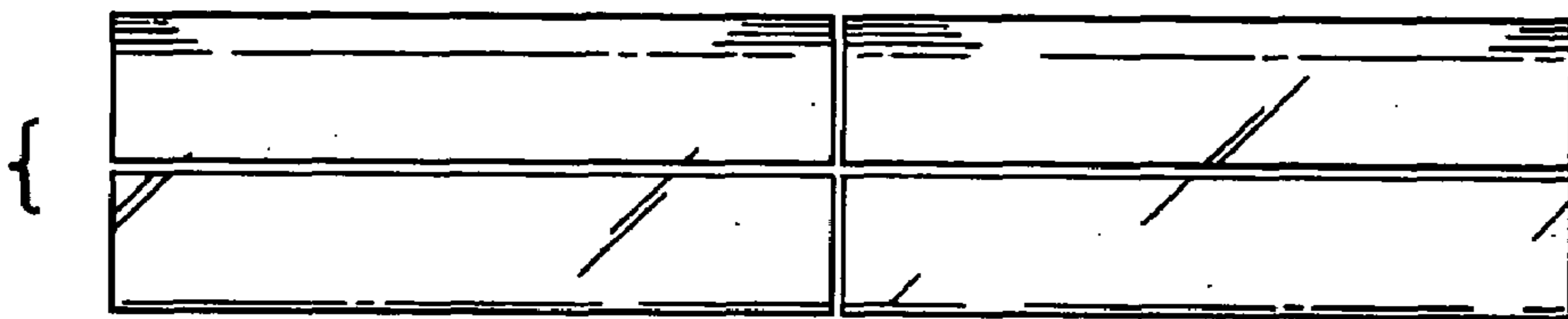


FIG. 33

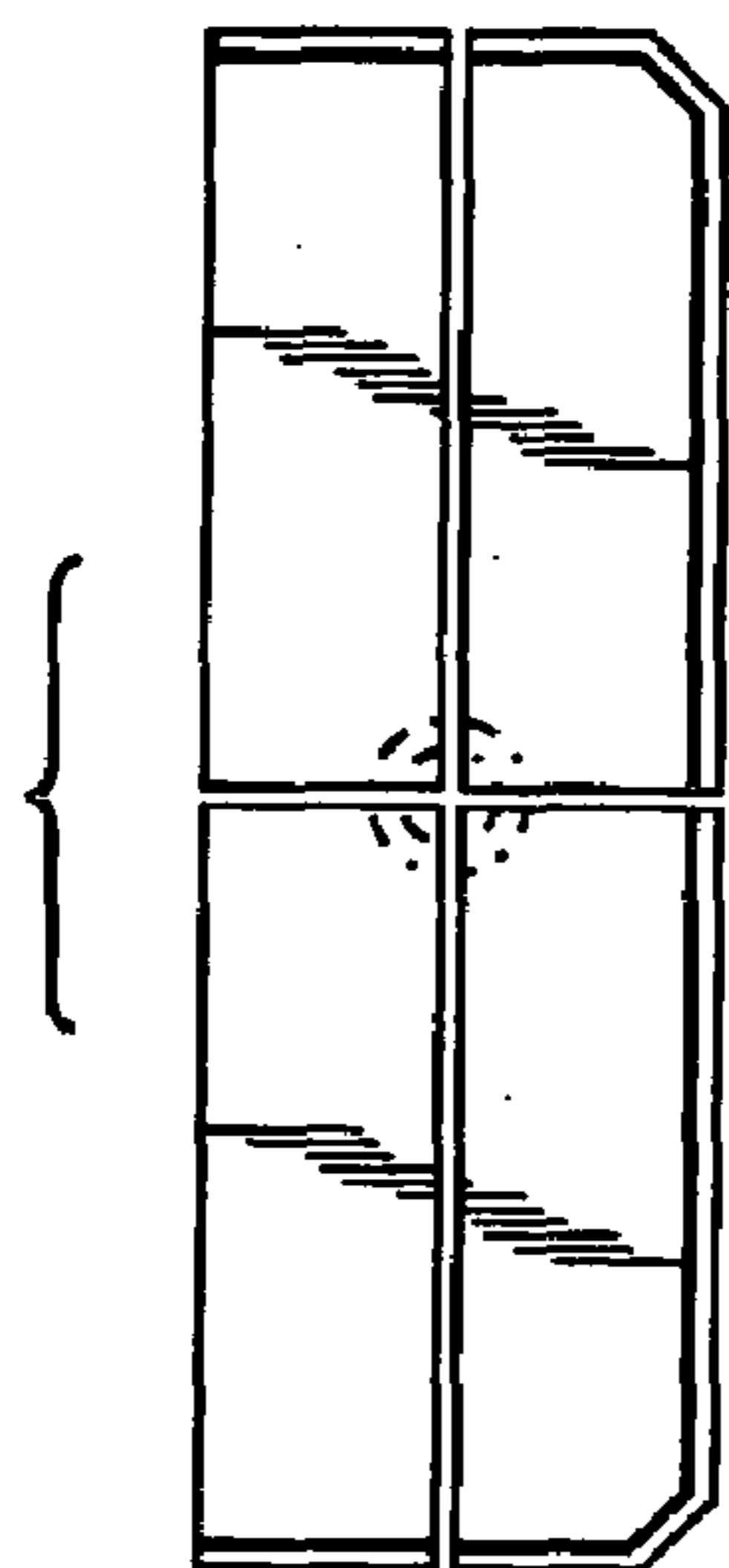


FIG. 34

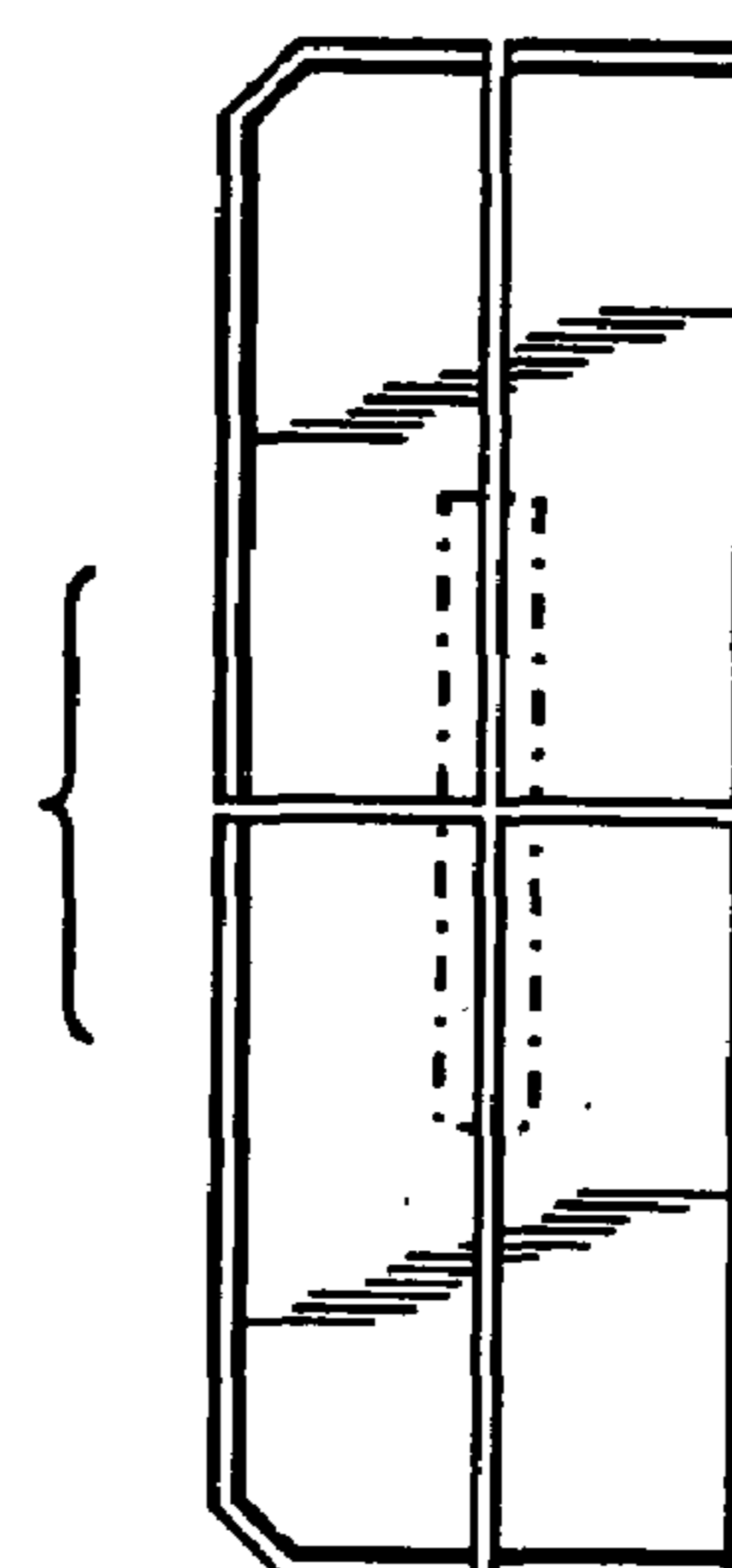


FIG. 35