

US00D565559S

(12) **United States Design Patent**  
**Aihara**

(10) **Patent No.:** **US D565,559 S**  
(45) **Date of Patent:** **\*\* Apr. 1, 2008**

(54) **DISPLAY WITH DIGITAL VIDEO DISC  
PLAYER FOR AUTOMOBILE**

(75) Inventor: **Kazuhiro Aihara**, Kadoma (JP)

(73) Assignee: **Matsushita Electric Industrial Co.,  
Ltd.**, Osaka (JP)

(\*\*) Term: **14 Years**

(21) Appl. No.: **29/285,612**

(22) Filed: **Apr. 3, 2007**

(30) **Foreign Application Priority Data**

Oct. 25, 2006 (JP) ..... 2006-029137

(51) **LOC (8) Cl.** ..... **14-01**

(52) **U.S. Cl.** ..... **D14/258**

(58) **Field of Classification Search** ..... D14/258,  
D14/257, 224, 217, 198, 197, 193, 192, 188,  
D14/168, 167, 165, 164, 163, 162, 161, 160,  
D14/157, 156, 154, 136, 135; 720/691, 658,  
720/270; 455/344, 575.1; 396/434, 93;  
386/1; 369/93, 75.1; 360/47, 4; 359/550,  
359/258; 349/460, 159, 10

See application file for complete search history.

(56) **References Cited**

**U.S. PATENT DOCUMENTS**

D415,491 S 10/1999 Yano et al.  
D421,007 S 2/2000 Nagai  
D439,227 S \* 3/2001 Okada et al. .... D14/136  
D518,038 S \* 3/2006 Aono et al. .... D14/258  
D538,769 S \* 3/2007 Nemoto ..... D14/136  
D539,263 S \* 3/2007 Ohta et al. .... D14/157

**FOREIGN PATENT DOCUMENTS**

JP D 1172202 4/2003  
JP D 1174547 6/2003

JP D 1178918 7/2003  
JP D 1214351 8/2004  
JP D 1225176 12/2004  
JP D 1230780 2/2005  
JP D 1243108 6/2005  
JP D 1255776 11/2005  
JP D 1259251 12/2005  
JP D 1268315 4/2006  
JP D 1268736 4/2006  
JP D 1275199 6/2006  
JP D 1282145 9/2006  
JP D 1282155 9/2006

\* cited by examiner

*Primary Examiner*—Robert M. Spear

*Assistant Examiner*—Katrina A Kile

(74) *Attorney, Agent, or Firm*—Brinks Hofer Gilson & Lione

(57) **CLAIM**

I claim the ornamental design for a display with digital video disc player for automobile, as shown and described.

**DESCRIPTION**

FIG. 1 is a top perspective view of a display with digital video disc player for automobile of the present invention;

FIG. 2 is a front view thereof;

FIG. 3 is a top view thereof;

FIG. 4 is a rear view thereof;

FIG. 5 is a bottom view thereof;

FIG. 6 is a first side view thereof; and,

FIG. 7 is a second side view thereof.

The ornamental design which is claimed is shown in solid lines in the drawings. Any broken lines in the drawings are for illustrative purposes only and form no part of the claimed design.

**1 Claim, 4 Drawing Sheets**

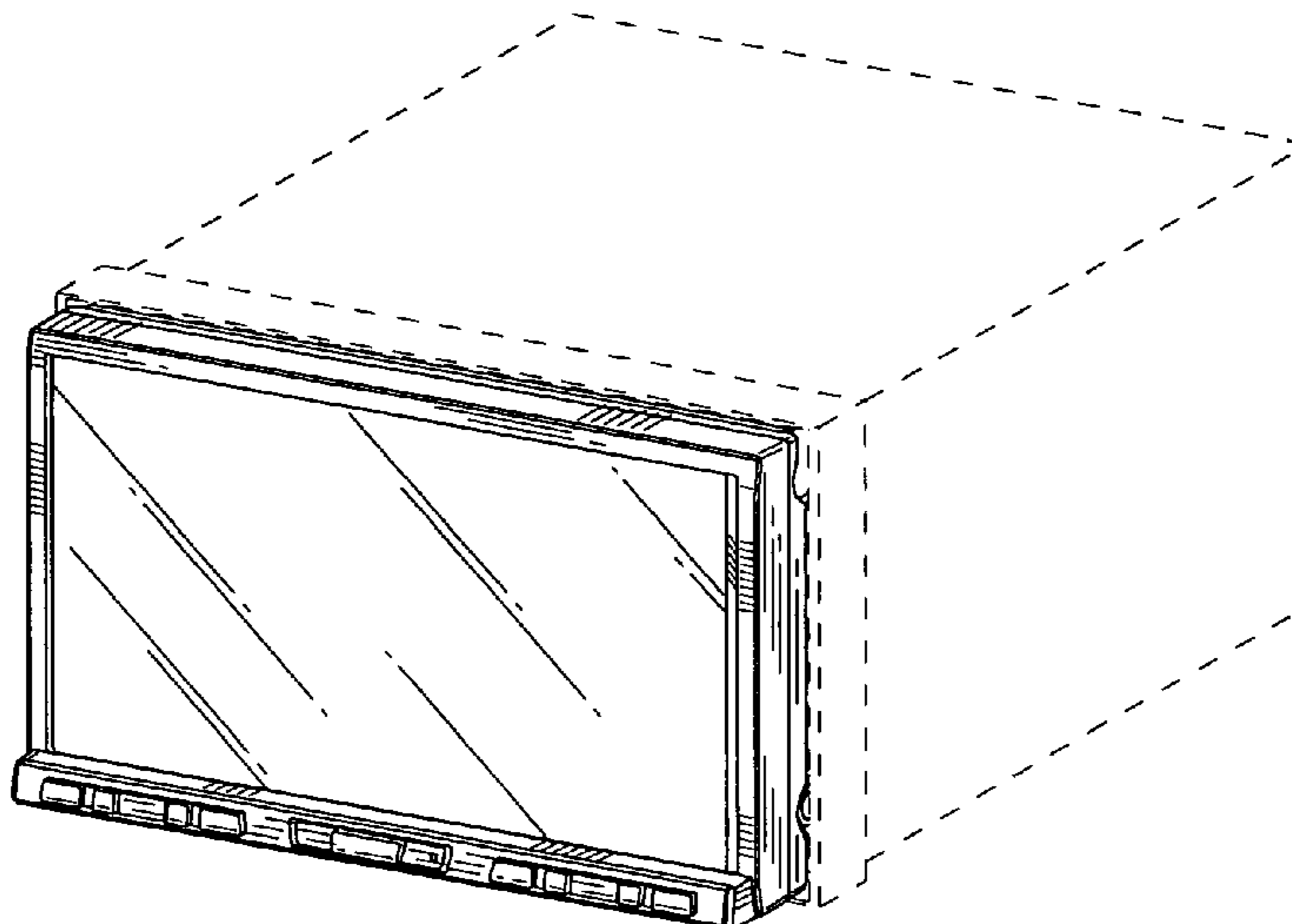


FIG. 1

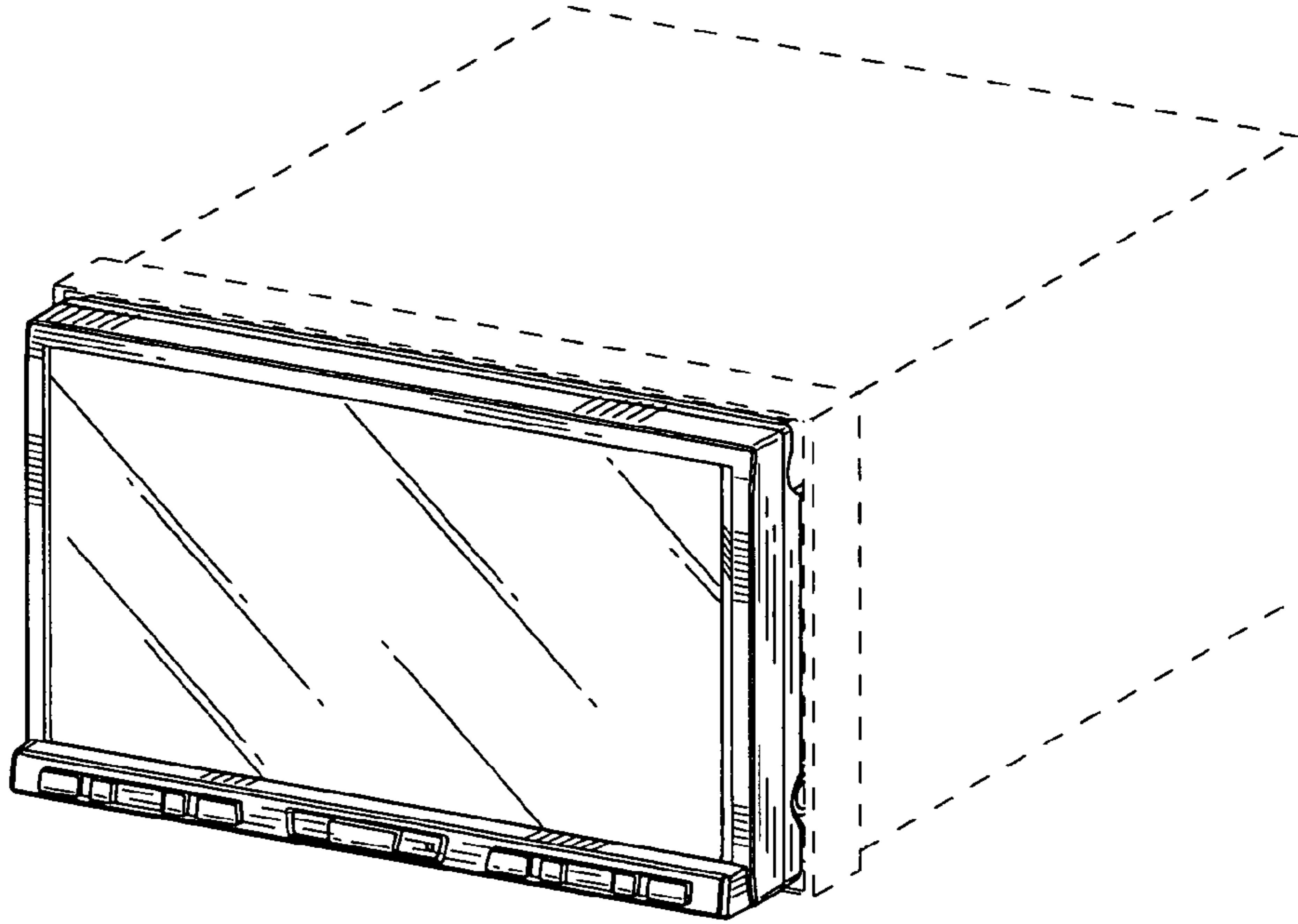


FIG. 2

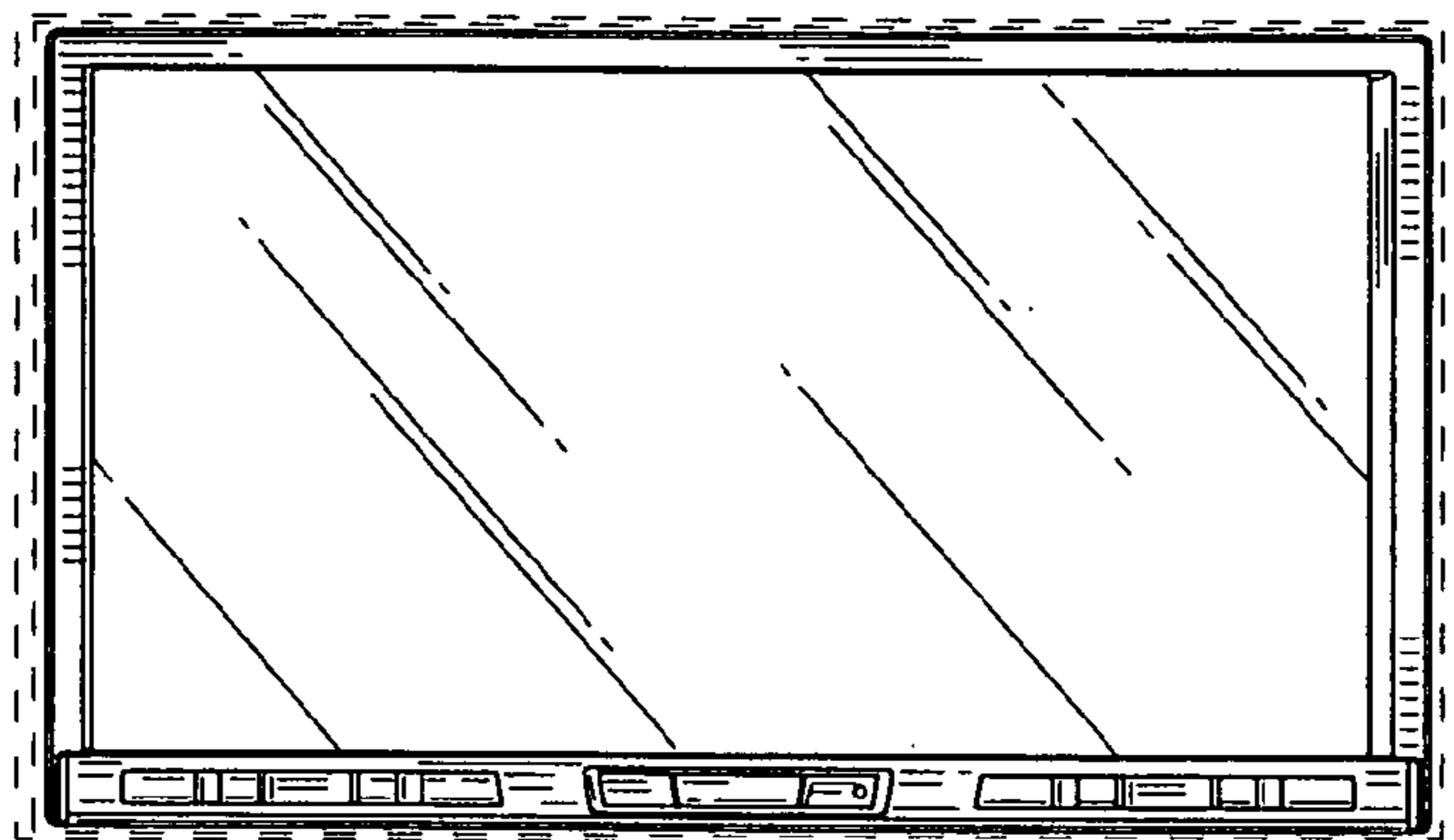


FIG.3

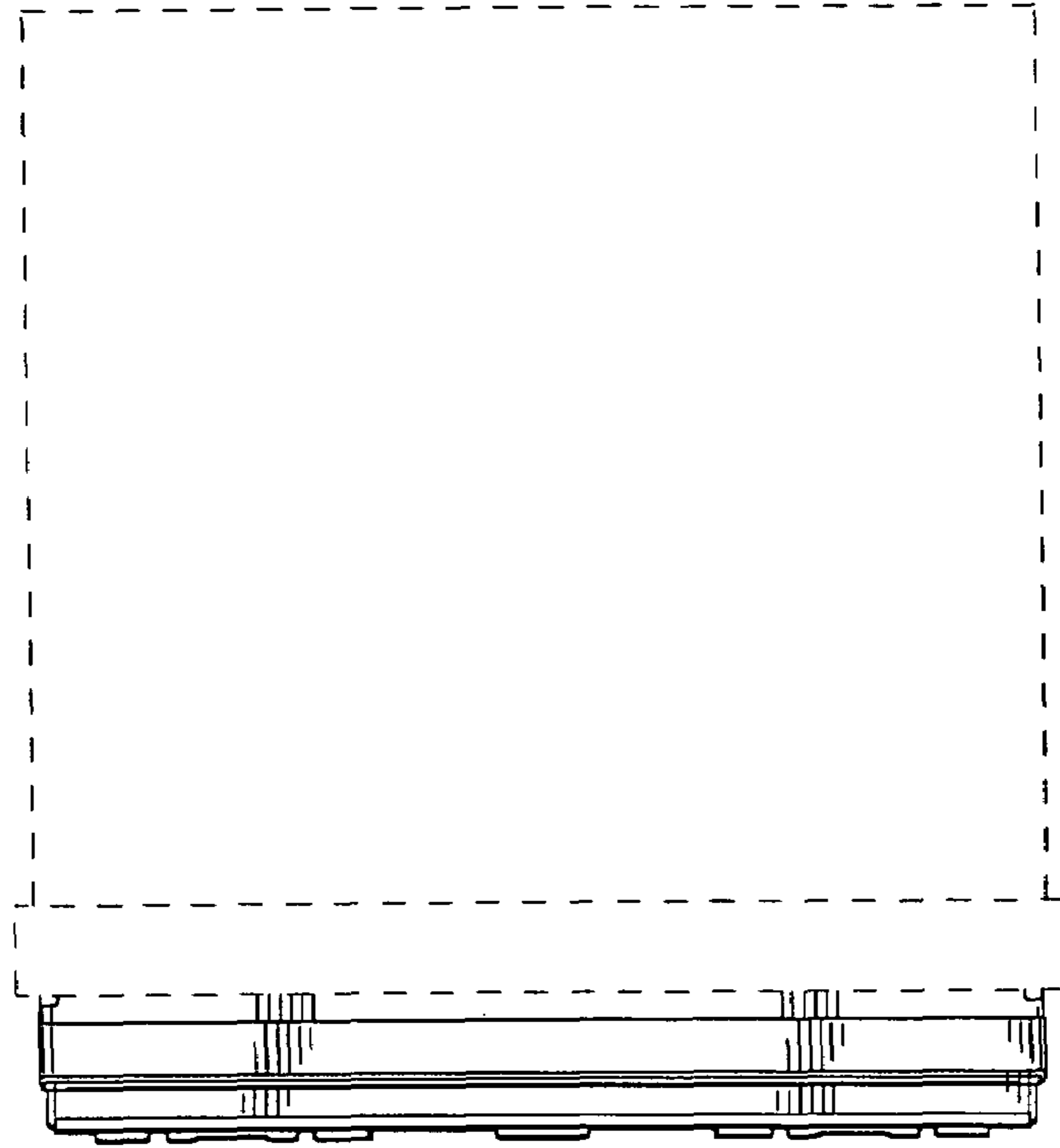
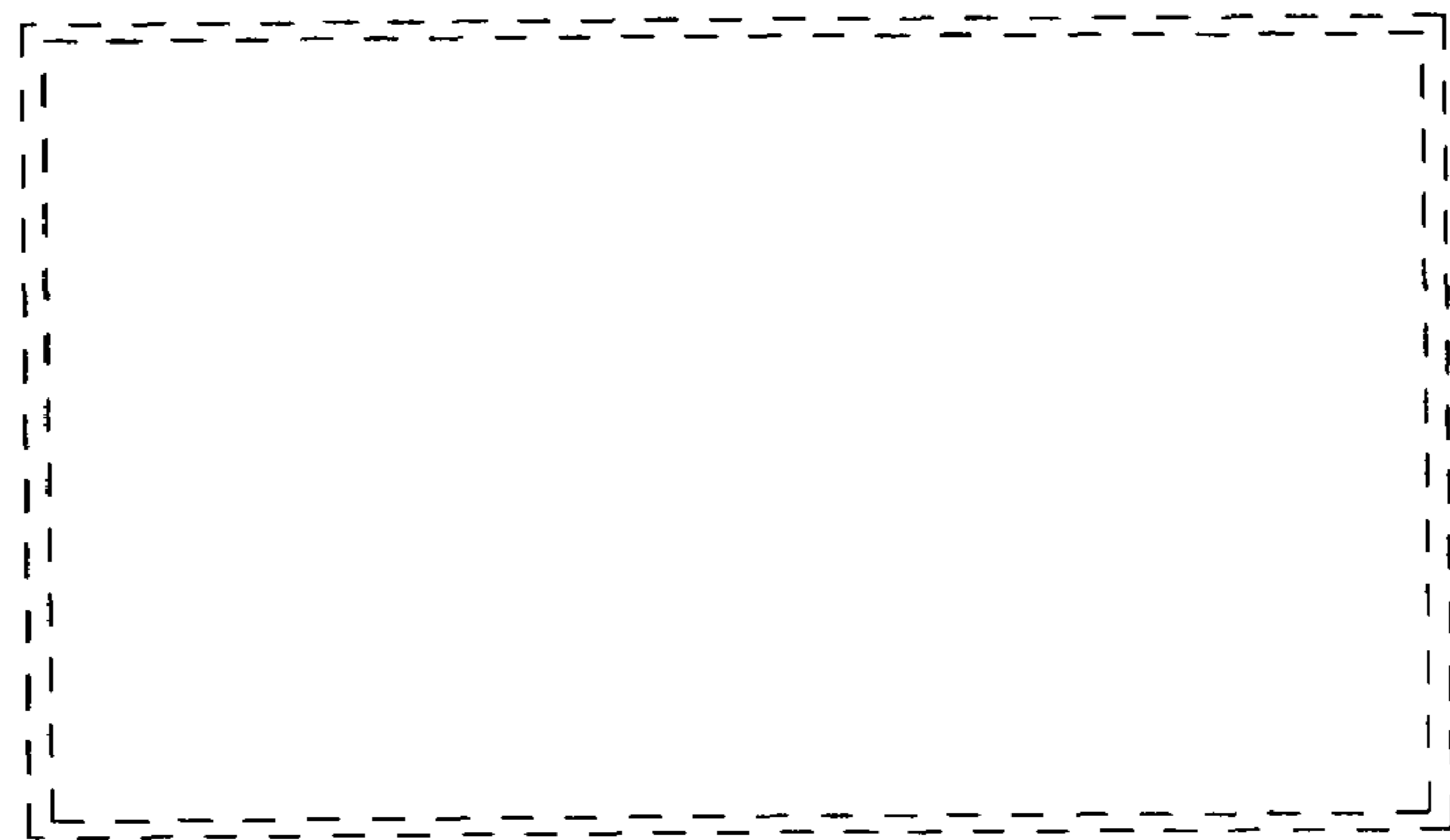
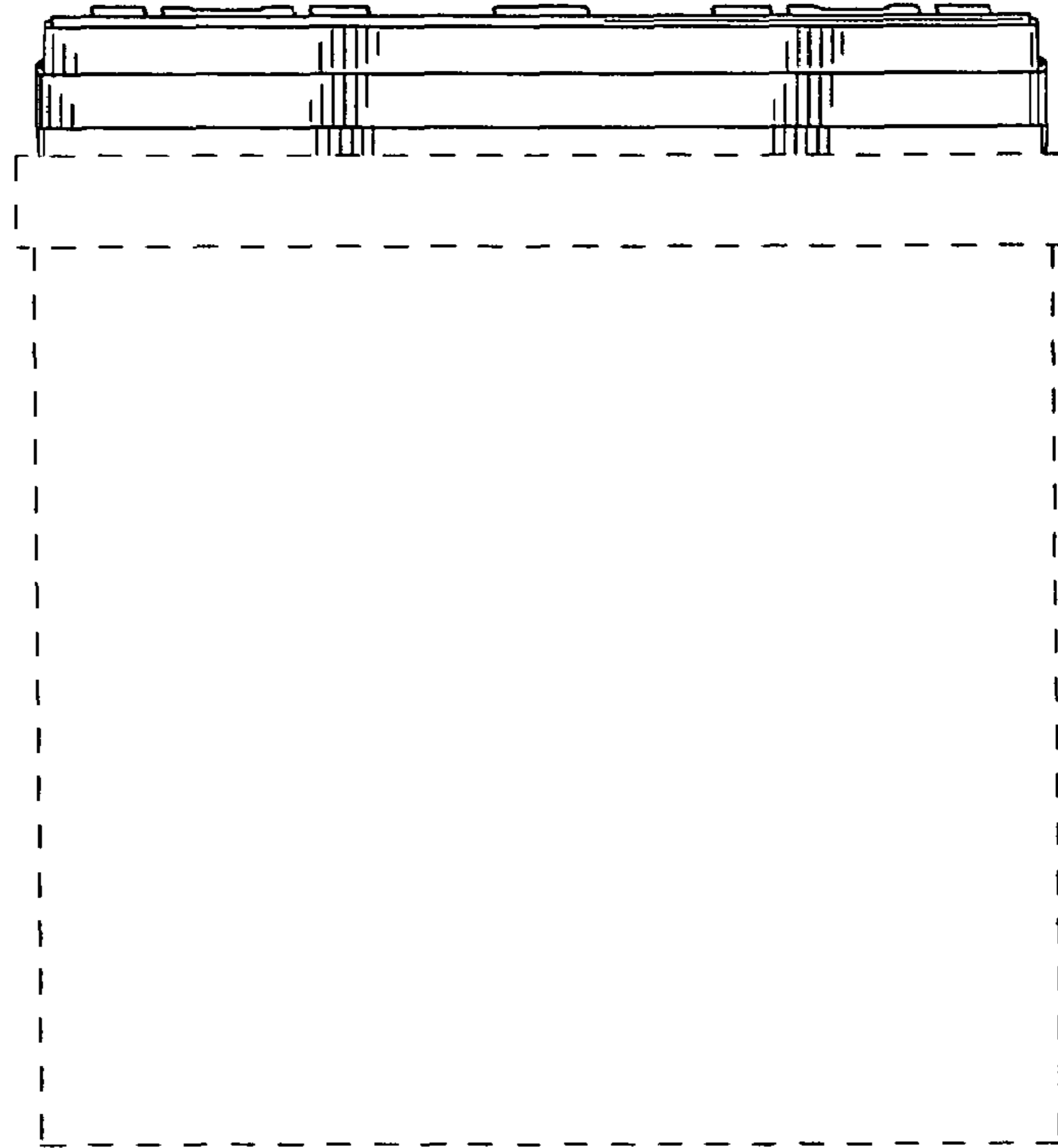


FIG.4



*FIG.5*



*FIG.6*



*FIG. 7*

