



US00D565558S

(12) **United States Design Patent**  
**Liu**

(10) **Patent No.:** **US D565,558 S**

(45) **Date of Patent:** **\*\* Apr. 1, 2008**

(54) **ROUTER**

(75) Inventor: **Calvin Y. Liu**, Irvine, CA (US)

(73) Assignee: **Cisco Technology, Inc.**, San Jose, CA (US)

(\*\*) Term: **14 Years**

(21) Appl. No.: **29/240,102**

(22) Filed: **Oct. 7, 2005**

(51) **LOC (8) Cl.** ..... **14-03**

(52) **U.S. Cl.** ..... **D14/240**

(58) **Field of Classification Search** ..... D14/240,  
D14/242, 300, 348, 356, 233, 433; D13/184,  
D13/199, 110, 137.2; 360/69; 379/220.01,  
379/221.09, 220.14, 25, 93.09, 93.15, 156,  
379/900, 338, 339; 381/124; 607/36  
See application file for complete search history.

(56) **References Cited**

U.S. PATENT DOCUMENTS

D350,113 S *	8/1994	Nagele	.....	D13/110
D367,257 S *	2/1996	Buelow et al.	.....	D13/110
D382,251 S *	8/1997	Tsui	.....	D13/137.1
D406,259 S *	3/1999	Lindahl	.....	D13/110
D423,452 S *	4/2000	Fujisawa et al.	.....	D13/110
D424,528 S *	5/2000	Dernehl	.....	D13/184
D450,036 S *	11/2001	Okamoto	.....	D13/137.2
D472,555 S *	4/2003	Tomino	.....	D14/433
D478,310 S *	8/2003	Andre et al.	.....	D13/110

D478,546 S *	8/2003	Andre et al.	.....	D13/110
D484,497 S *	12/2003	Alviar et al.	.....	D14/240
D484,853 S *	1/2004	Alviar	.....	D13/110
D490,080 S *	5/2004	Alviar et al.	.....	D14/433
D492,250 S *	6/2004	Alviar et al.	.....	D13/110
D494,134 S *	8/2004	Murzanski	.....	D13/110
D503,679 S *	4/2005	Andre et al.	.....	D13/110
6,931,284 B2 *	8/2005	Engmark et al.	.....	607/36
D519,922 S *	5/2006	Andre et al.	.....	D13/110
2004/0147974 A1 *	7/2004	Engmark et al.	.....	607/36

\* cited by examiner

*Primary Examiner*—Charles A. Rademaker

(74) *Attorney, Agent, or Firm*—Jonathan W. Hallman;  
MacPherson Kwok Chen & Heid LLP

(57) **CLAIM**

The ornamental design for a router, as shown and described.

**DESCRIPTION**

FIG. 1 is a top and left side perspective view of a router showing my new design;

FIG. 2 is a right end elevation thereof;

FIG. 3 is a left end elevation thereof;

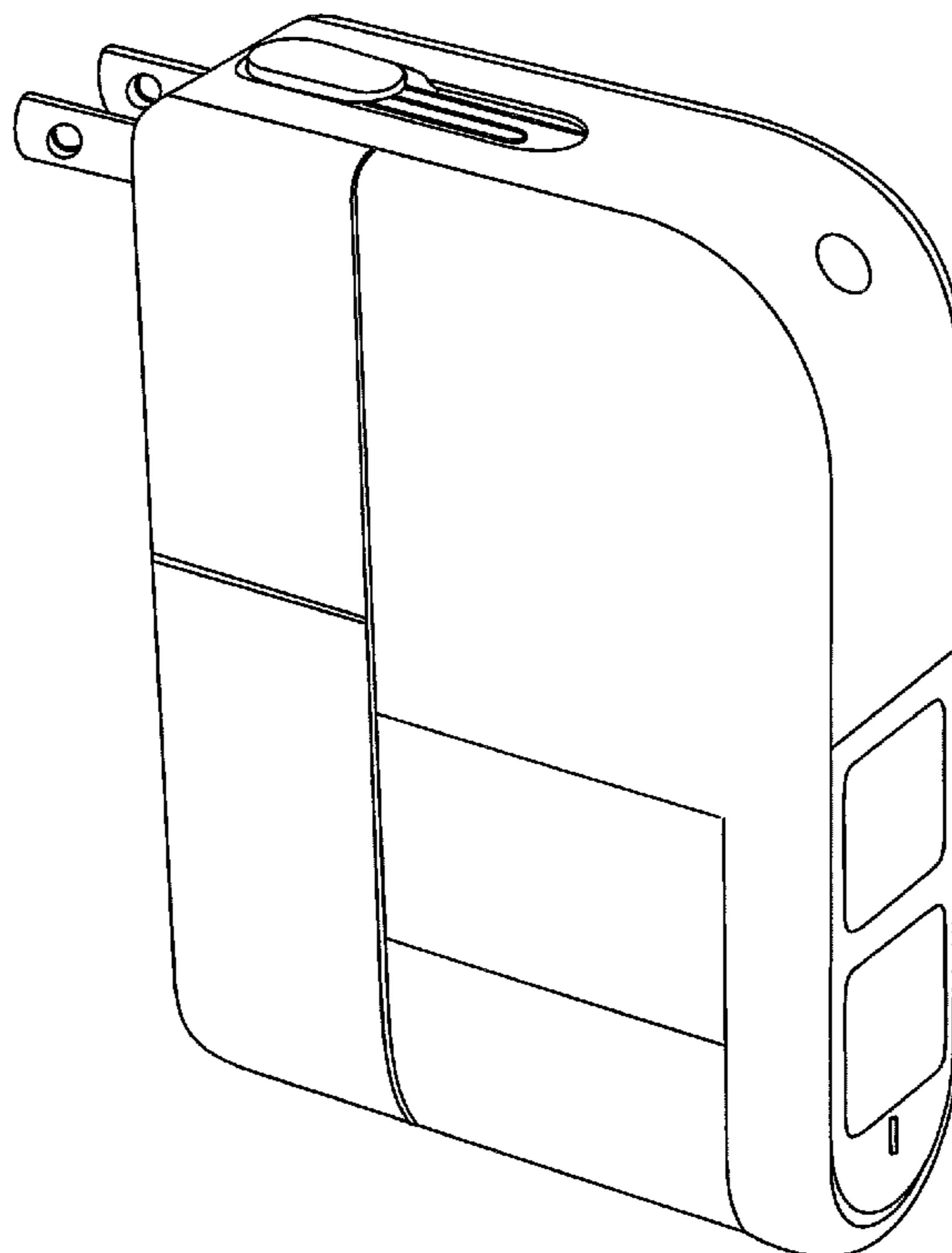
FIG. 4 is a top plan view thereof;

FIG. 5 is a bottom plan view thereof;

FIG. 6 is a left side elevation thereof; and,

FIG. 7 is a right side elevation thereof.

**1 Claim, 5 Drawing Sheets**



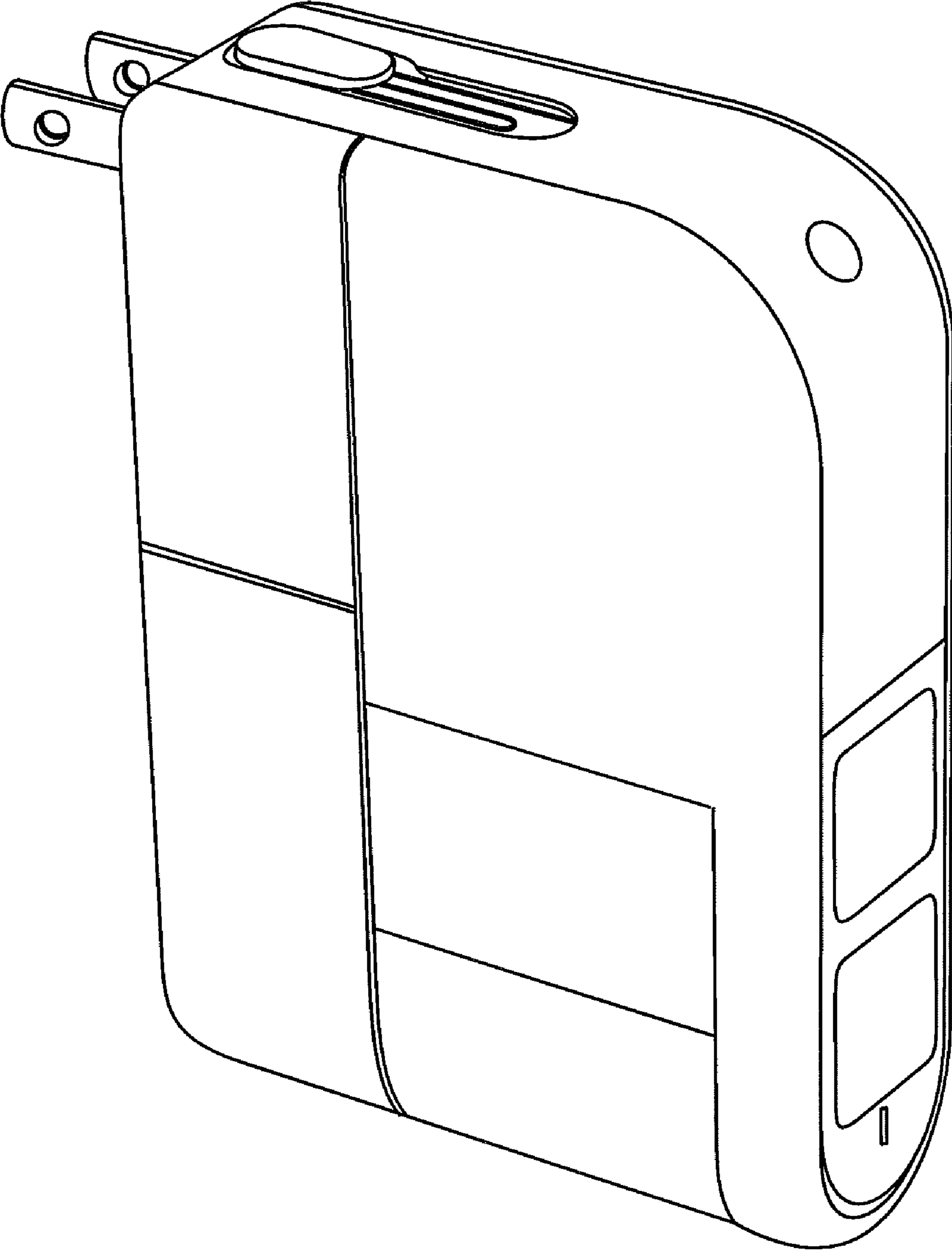


FIG. 1

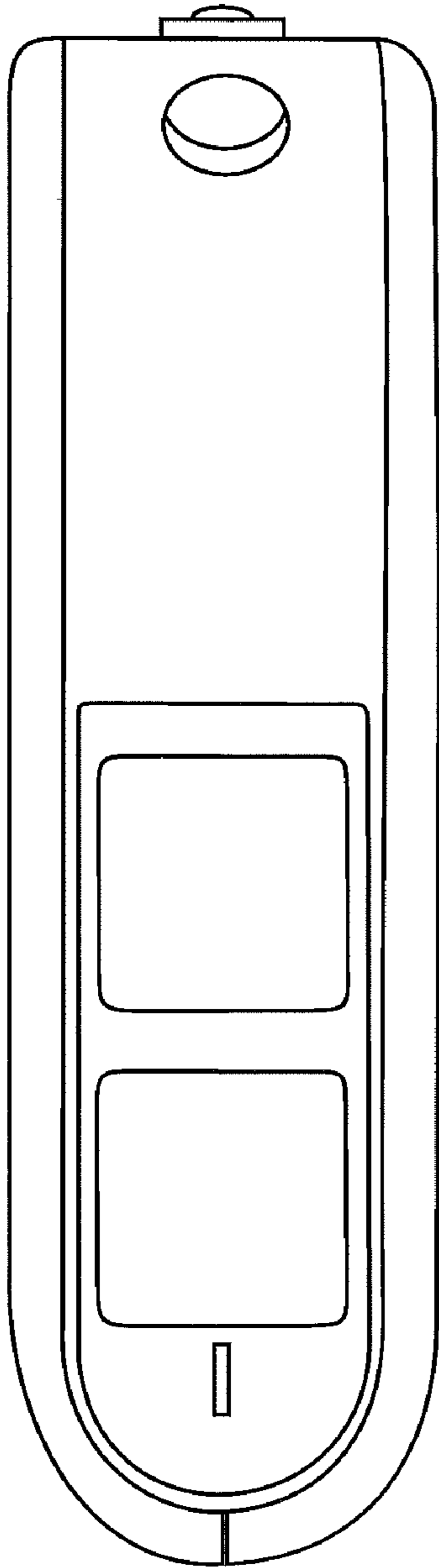


FIG. 2

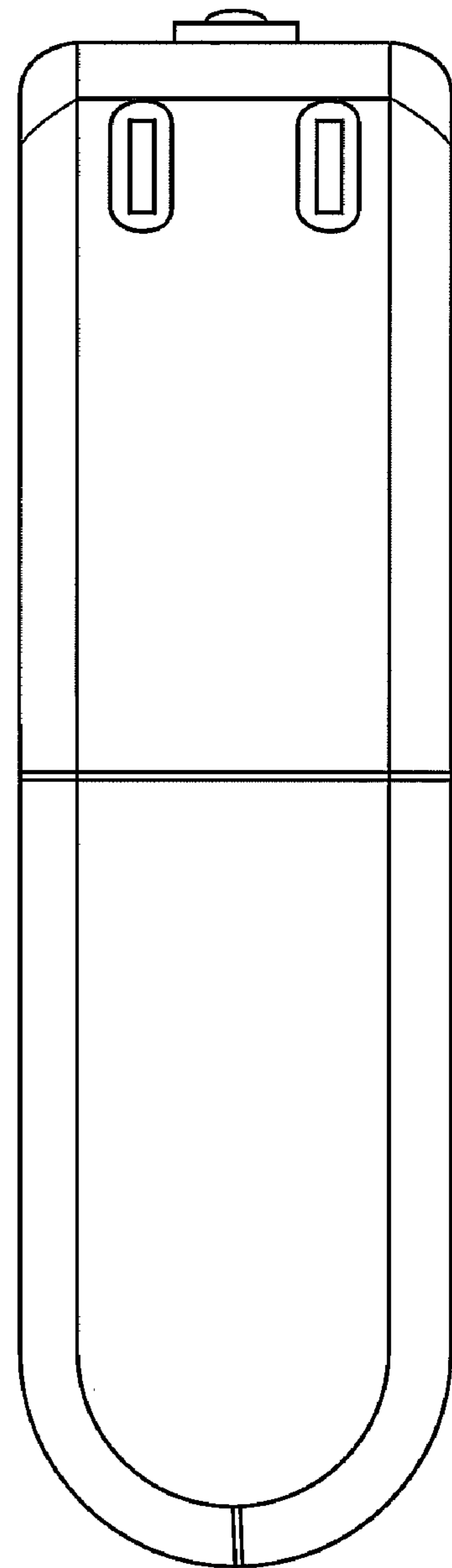


FIG. 3

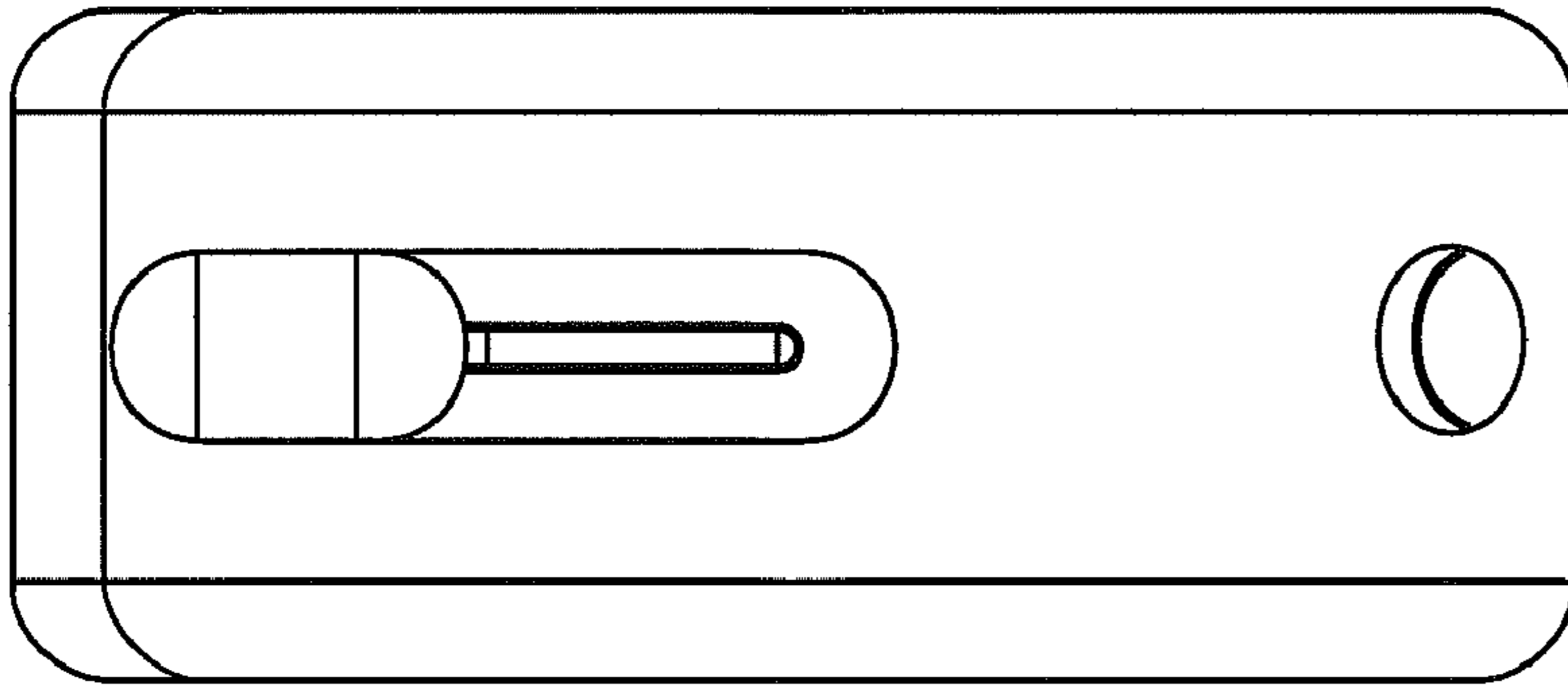


FIG. 4

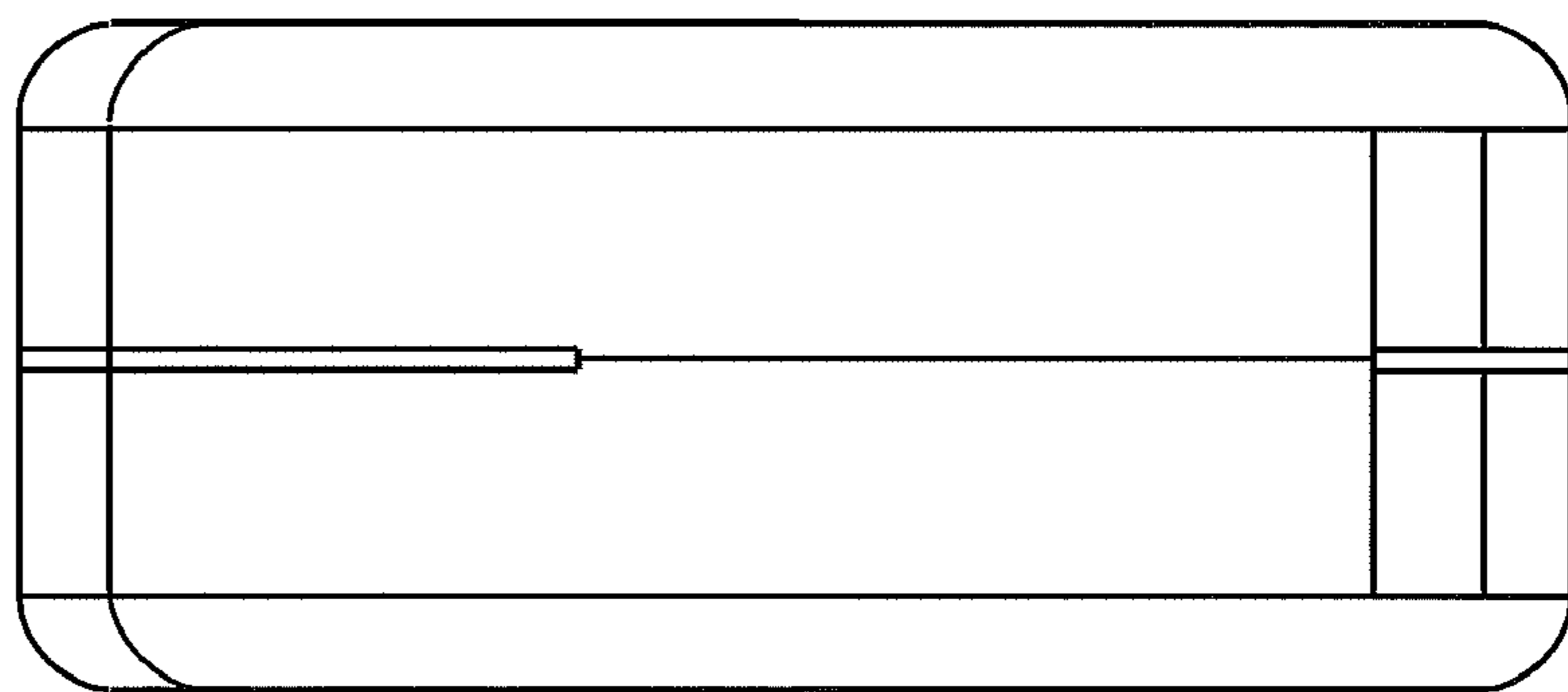


FIG. 5

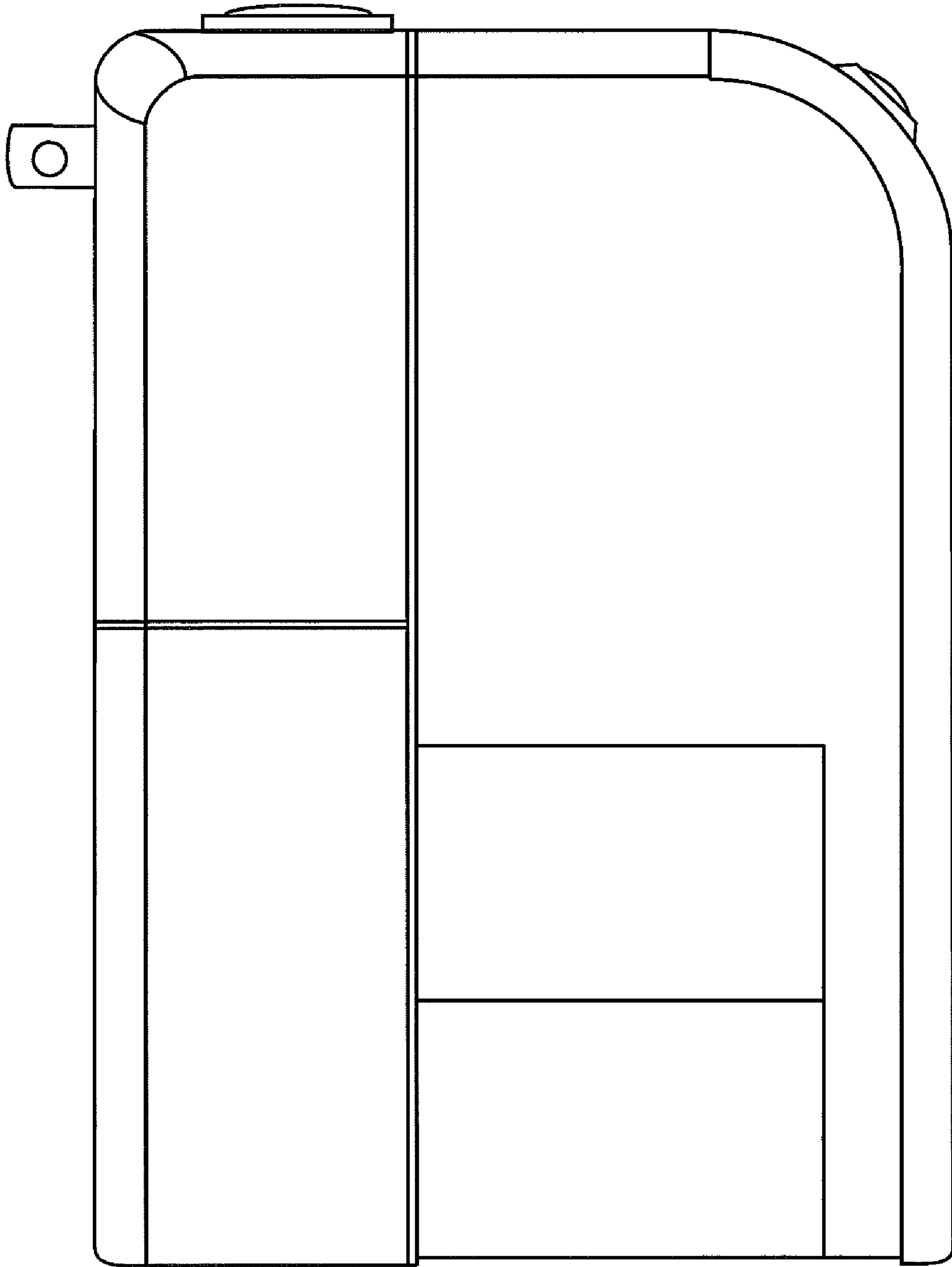


FIG. 6

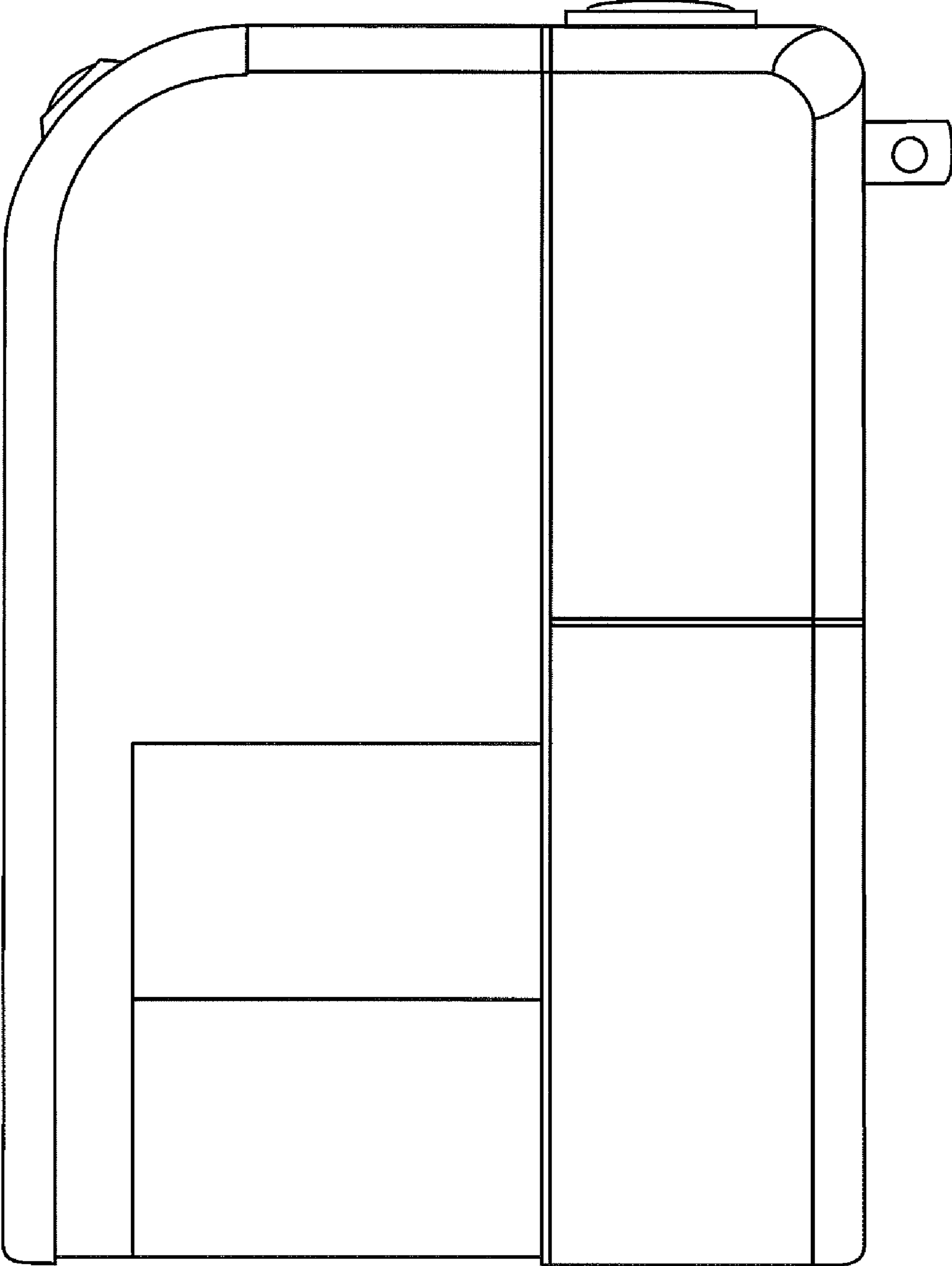


FIG. 7