



US00D56555S

(12) **United States Design Patent**
Goto

(10) **Patent No.:** **US D565,555 S**

(45) **Date of Patent:** **** Apr. 1, 2008**

(54) **REMOTE CONTROLLER**

(75) Inventor: **Teiyu Goto**, Tokyo (JP)

(73) Assignee: **Sony Computer Entertainment Inc.**,
Tokyo (JP)

(**) Term: **14 Years**

(21) Appl. No.: **29/272,582**

(22) Filed: **Feb. 13, 2007**

(30) **Foreign Application Priority Data**

Sep. 21, 2006 (JP) D2006-025314

(51) **LOC (8) Cl.** **14-03**

(52) **U.S. Cl.** **D14/218**

(58) **Field of Classification Search** D14/218,
D14/455; D13/168; D21/566; D10/104,
D10/106; 345/169; 348/14.05, 114, 211.99,
348/734; 340/825.24; 341/22; 455/92,
455/95, 128, 151.1-151.4, 352, 355, FOR. 121;
700/65

See application file for complete search history.

(56) **References Cited**

U.S. PATENT DOCUMENTS

D379,816 S * 6/1997 Laituri et al. D14/218
6,275,991 B1 * 8/2001 Erlin 725/141
D477,590 S * 7/2003 Ahn D14/218
D478,066 S 8/2003 Goto
D504,886 S 5/2005 Yasutomi

D515,557 S * 2/2006 Okuley D14/218
D517,532 S * 3/2006 Chen D14/218
D520,988 S * 5/2006 Miller D14/218
D524,298 S * 7/2006 Hedderich et al. D14/218
D531,993 S * 11/2006 Choi et al. D14/218
D543,197 S * 5/2007 Loughnane D14/218
D550,213 S * 9/2007 Hakoda D14/218
D551,659 S * 9/2007 Shih et al. D14/218
D552,600 S * 10/2007 Oota D14/218

* cited by examiner

Primary Examiner—Robert M. Spear

Assistant Examiner—John Windmuller

(74) *Attorney, Agent, or Firm*—Rader, Fishman & Grauer,
PLLC

(57) **CLAIM**

The ornamental design for a remote controller, as shown.

DESCRIPTION

FIG. 1 is a front elevational view of a remote controller showing my new design;

FIG. 2 is a rear elevational view thereof;

FIG. 3 is a left side elevational view thereof;

FIG. 4 is a right side elevational view thereof;

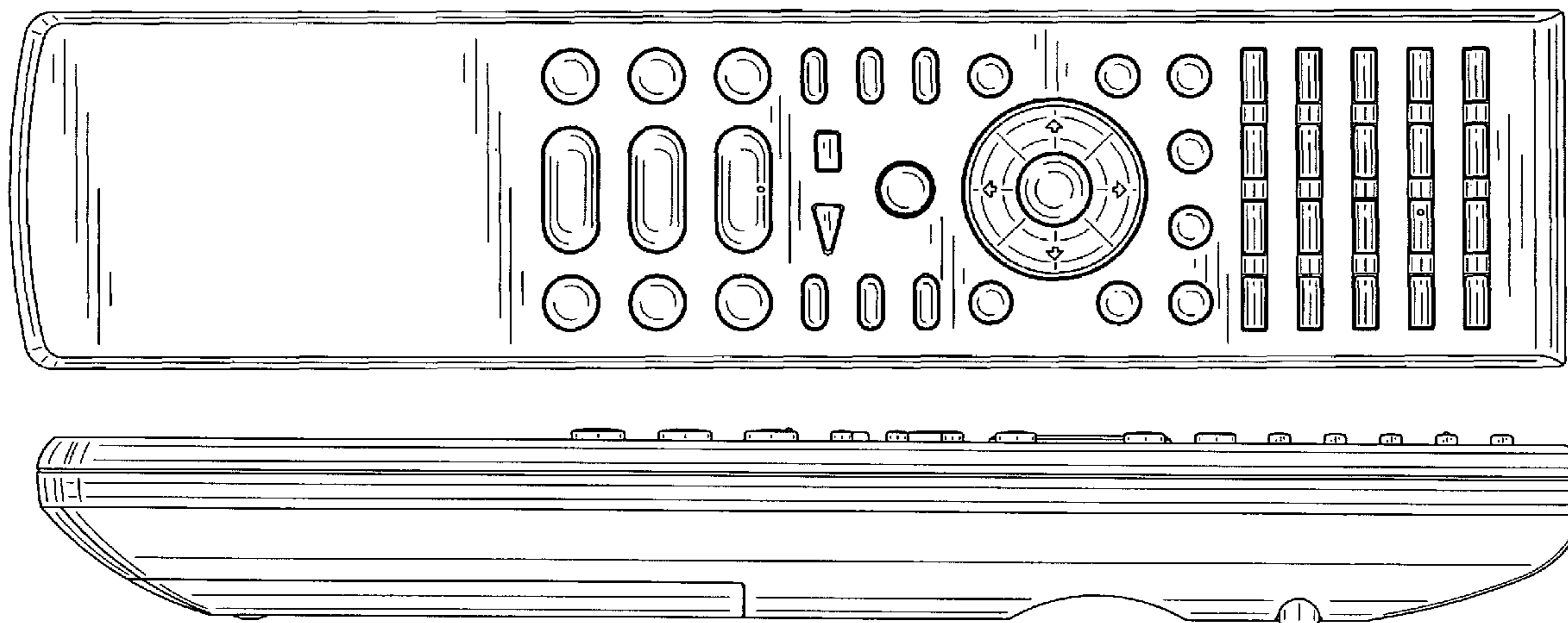
FIG. 5 is a top plan view thereof;

FIG. 6 is a bottom plan view thereof;

FIG. 7 is a front perspective view thereof; and,

FIG. 8 is a rear perspective view thereof.

1 Claim, 8 Drawing Sheets



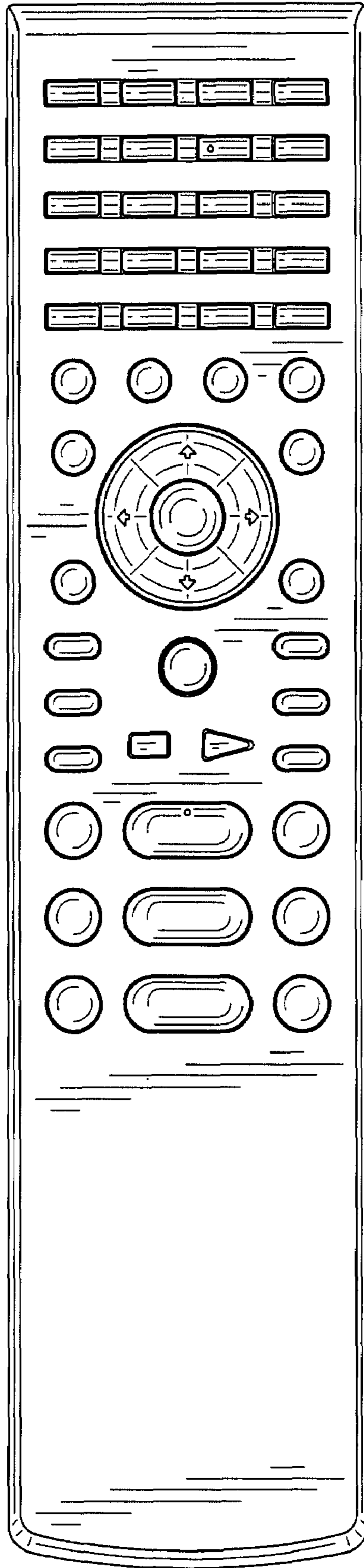


Fig. 1

Fig.2

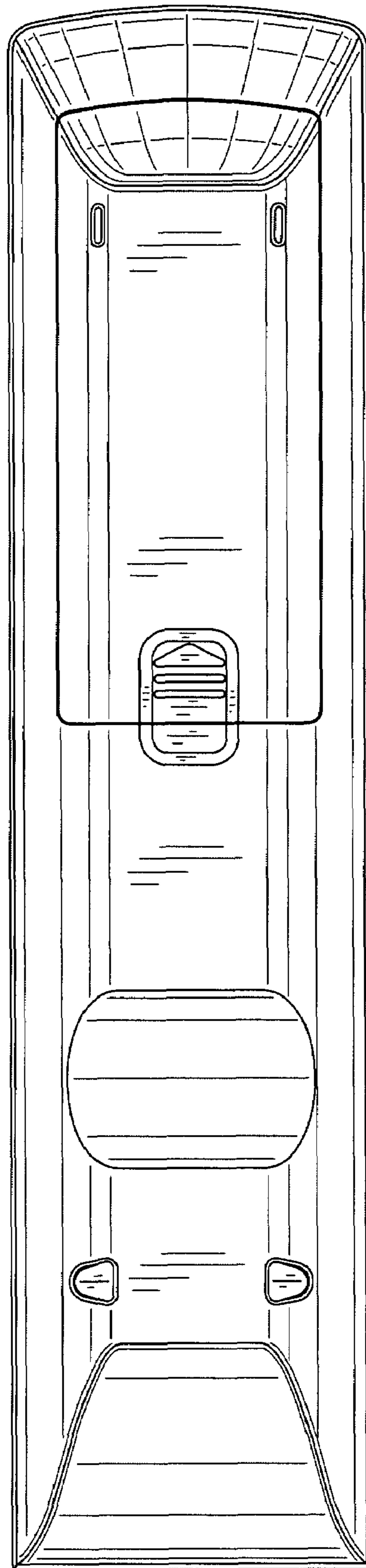


Fig. 3

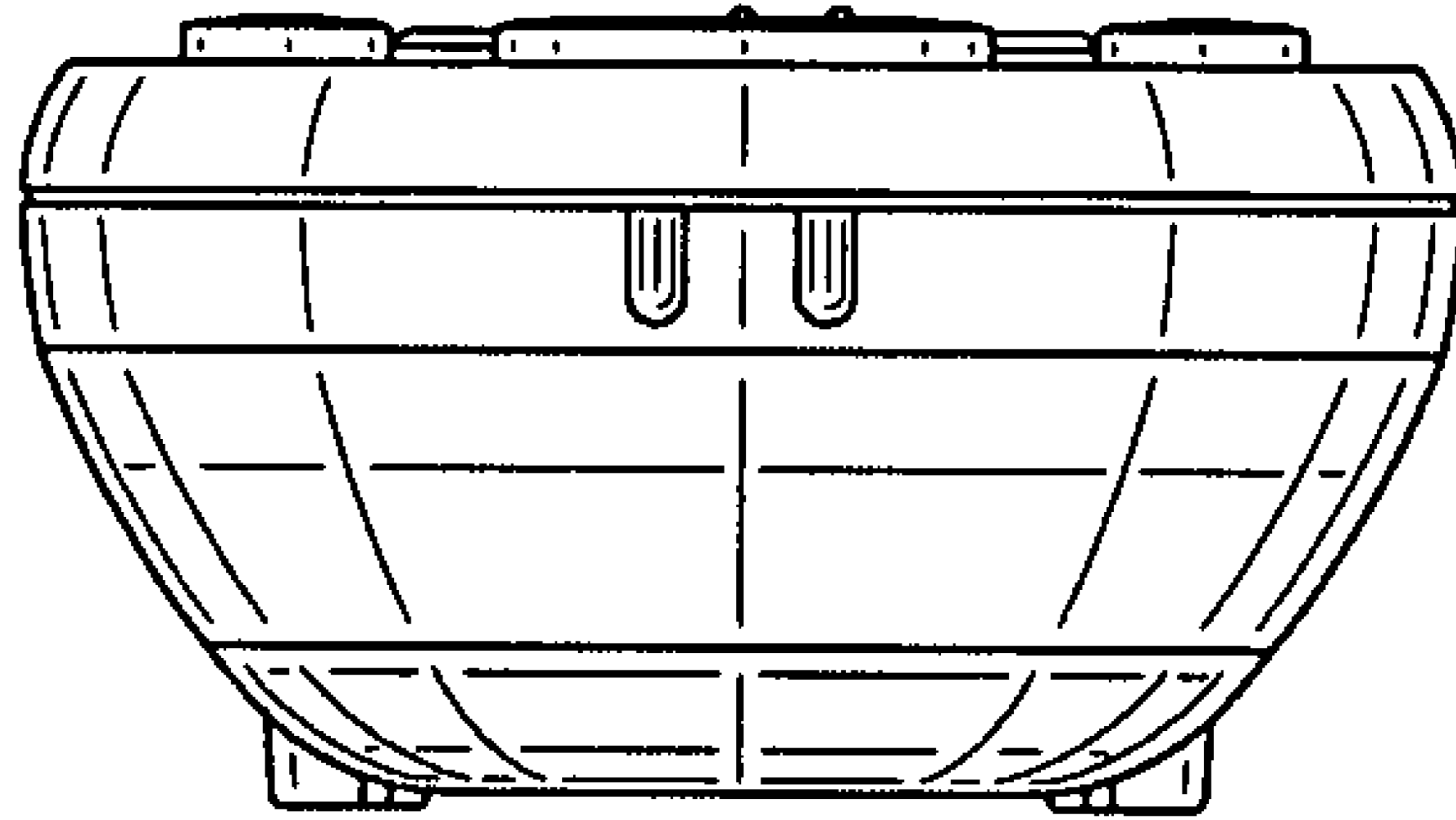


Fig.4

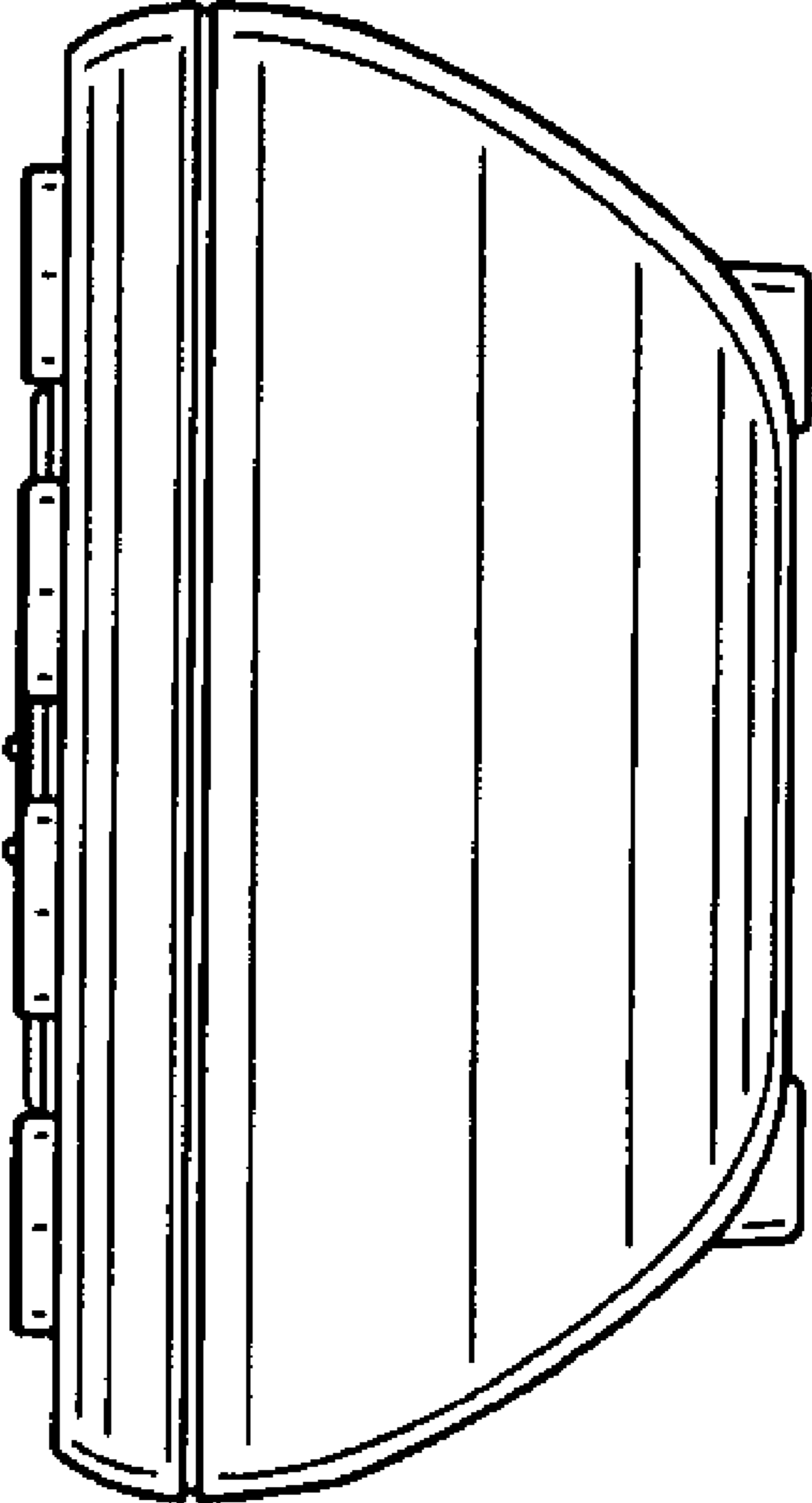


Fig.5

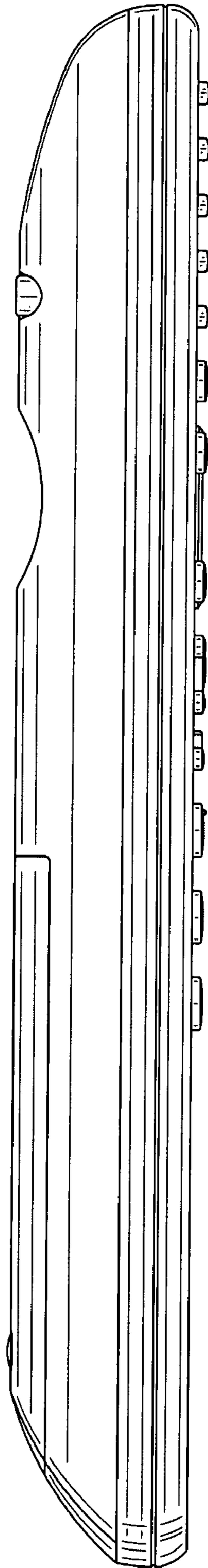
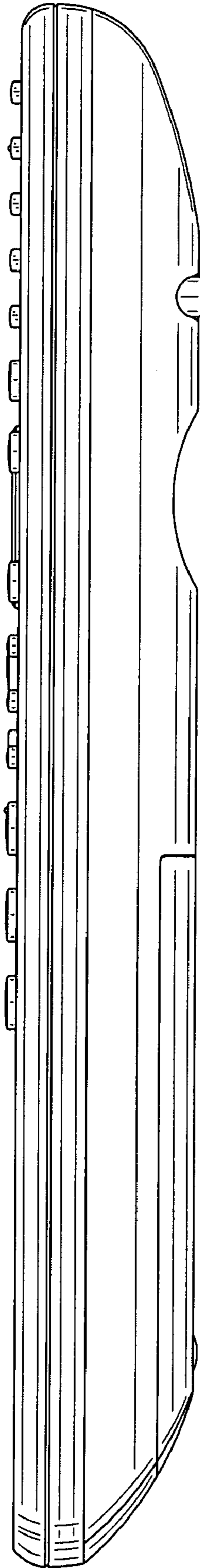


Fig.6



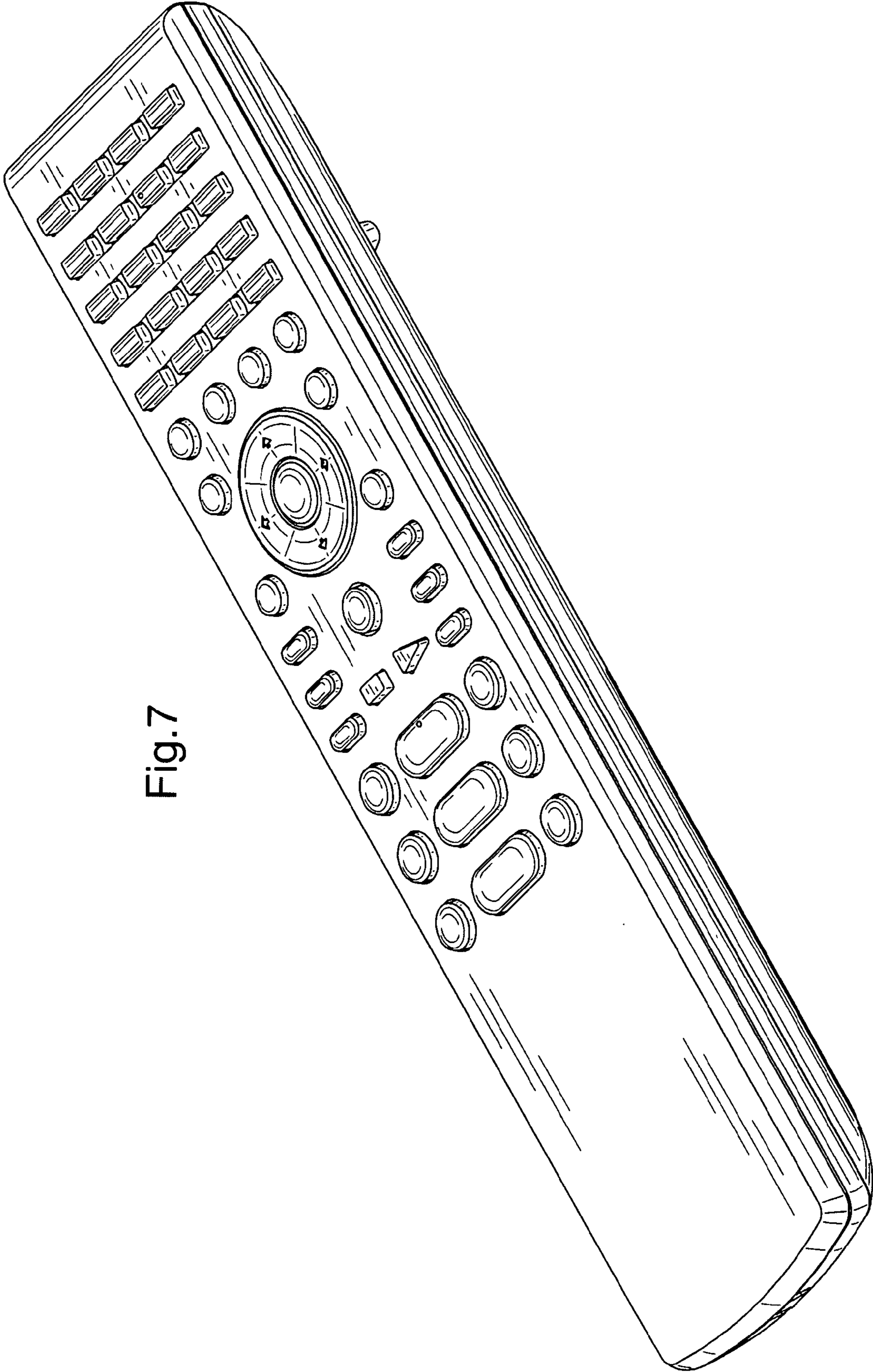


Fig.7

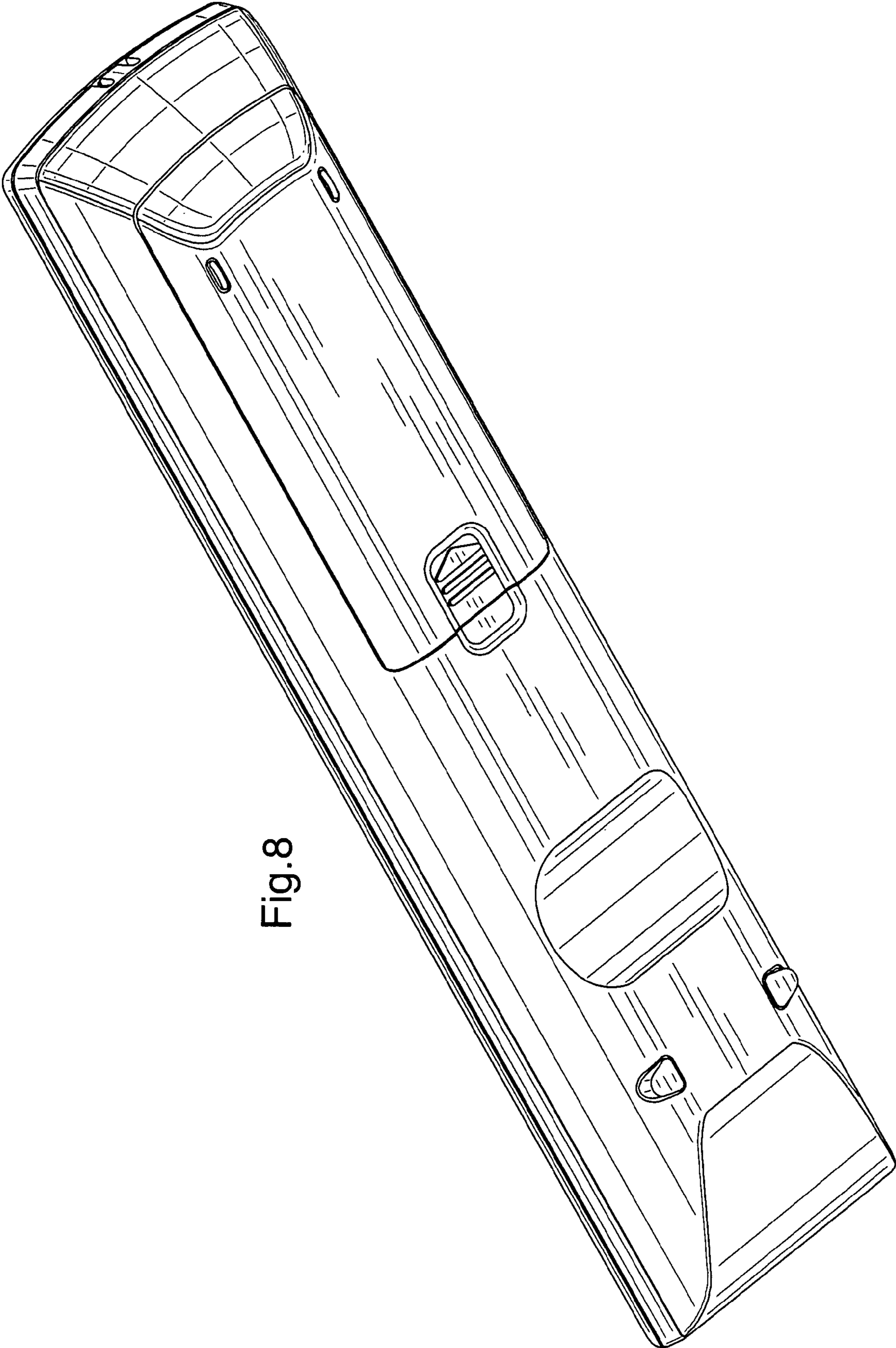


Fig.8