

US00D565551S

(12) **United States Design Patent**
Yoshinaga et al.

(10) **Patent No.:** **US D565,551 S**

(45) **Date of Patent:** **** Apr. 1, 2008**

(54) **SPEAKER**

(75) Inventors: **Takahiko Yoshinaga**, Kadoma (JP);
Takeshi Shimokawatoko, Kadoma
(JP); **Koji Sano**, Kadoma (JP)

(73) Assignee: **Matsushita Electric Industrial Co.,
Ltd.**, Osaka (JP)

(**) Term: **14 Years**

(21) Appl. No.: **29/272,262**

(22) Filed: **Feb. 5, 2007**

(30) **Foreign Application Priority Data**

Sep. 5, 2006 (JP) 2006-023707

(51) **LOC (8) Cl.** **14-01**

(52) **U.S. Cl.** **D14/216**

(58) **Field of Classification Search** D14/204,
D14/209-216; 181/143-144, 147-148, 150,
181/157, 198-199, 151, 153; 381/300-302,
381/306, 333, 345, 361-364, 386-388, 332,
381/336

See application file for complete search history.

(56) **References Cited**

U.S. PATENT DOCUMENTS

D472,887 S * 4/2003 Right et al. D14/214
D487,083 S * 2/2004 Asahina et al. D14/216
D533,163 S * 12/2006 Takase et al. D14/215
D534,161 S * 12/2006 Shimokawatoko et al. D14/216

FOREIGN PATENT DOCUMENTS

JP D 1269448 4/2006
JP D 1269449 4/2006

OTHER PUBLICATIONS

Yoshinaga et al., U.S. Design Application entitled "Speaker", U.S.
Appl. No. 29/272,263, filed Feb. 5, 2007.

* cited by examiner

Primary Examiner—Nanda Bondade

(74) *Attorney, Agent, or Firm*—Brinks Hofer Gilson &
Lione

(57) **CLAIM**

We claim the ornamental design for a speaker, as shown and
described.

DESCRIPTION

FIG. 1 is a front perspective view of a speaker of the present
invention;

FIG. 2 is a rear perspective view thereof;

FIG. 3 is a front view thereof;

FIG. 4 is a top view thereof;

FIG. 5 is a bottom view thereof;

FIG. 6 is a first side view thereof;

FIG. 7 is a second side view thereof; and,

FIG. 8 is a rear view thereof.

1 Claim, 5 Drawing Sheets

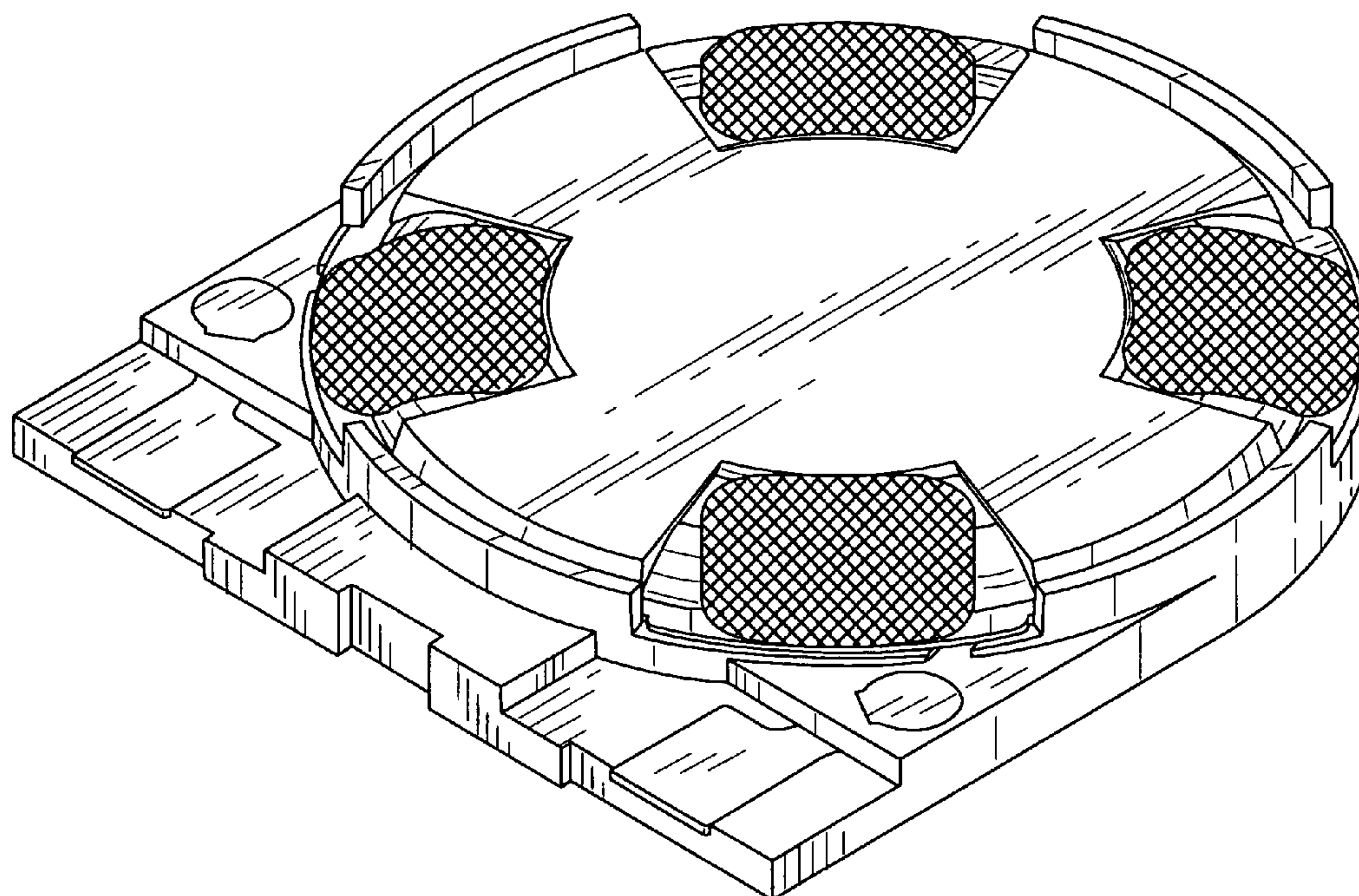


FIG.1

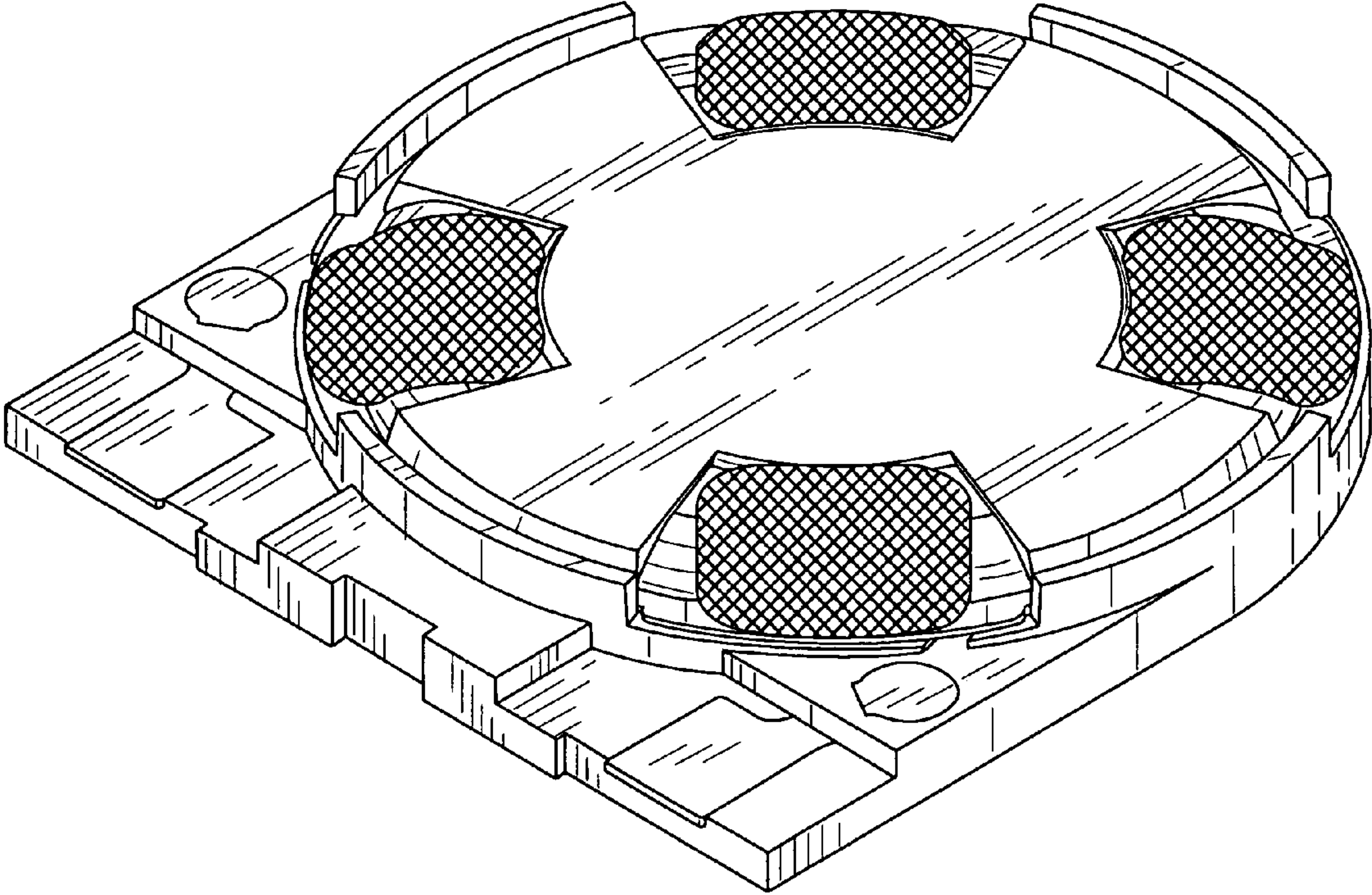


FIG.2

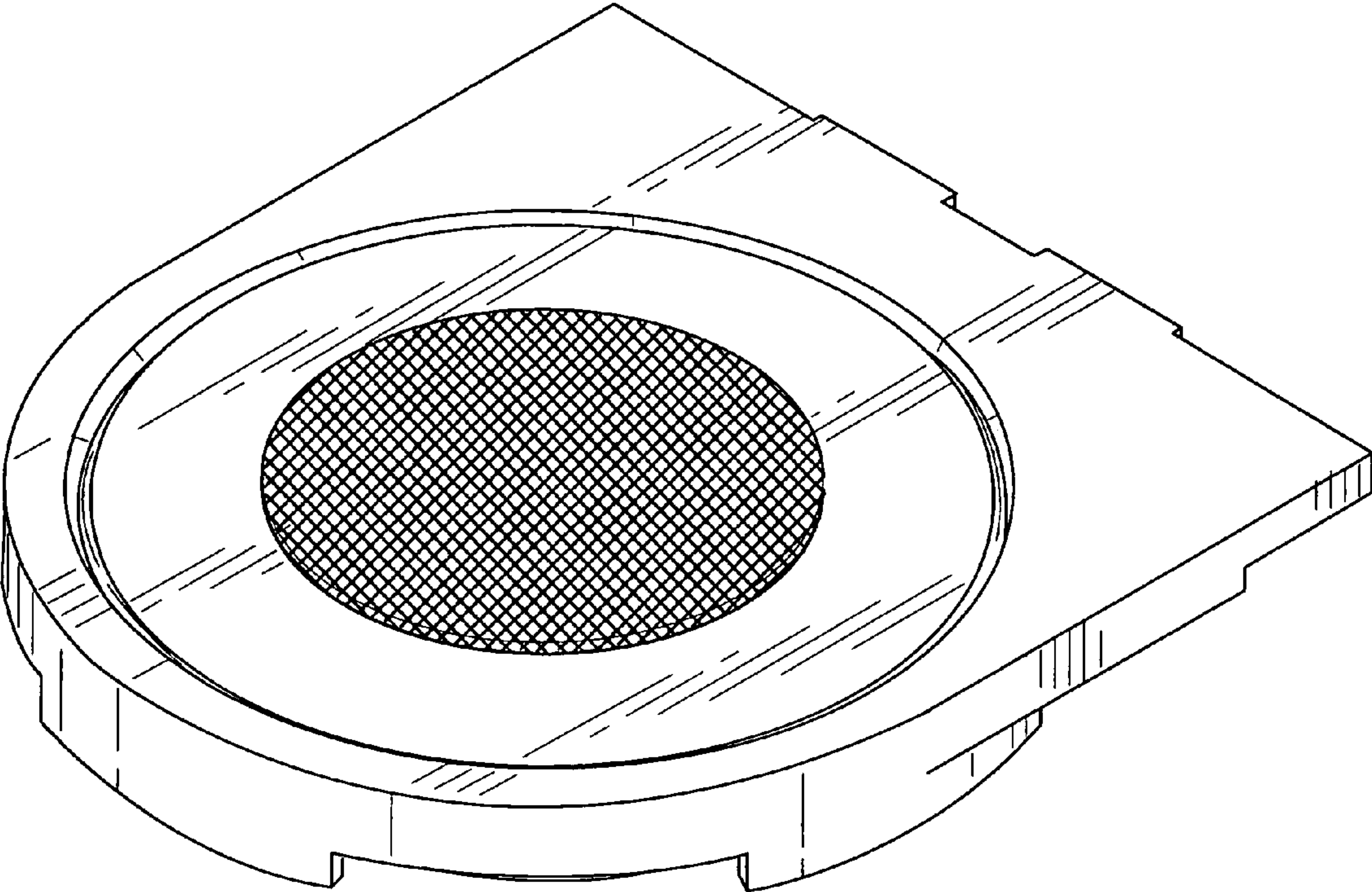


FIG.3

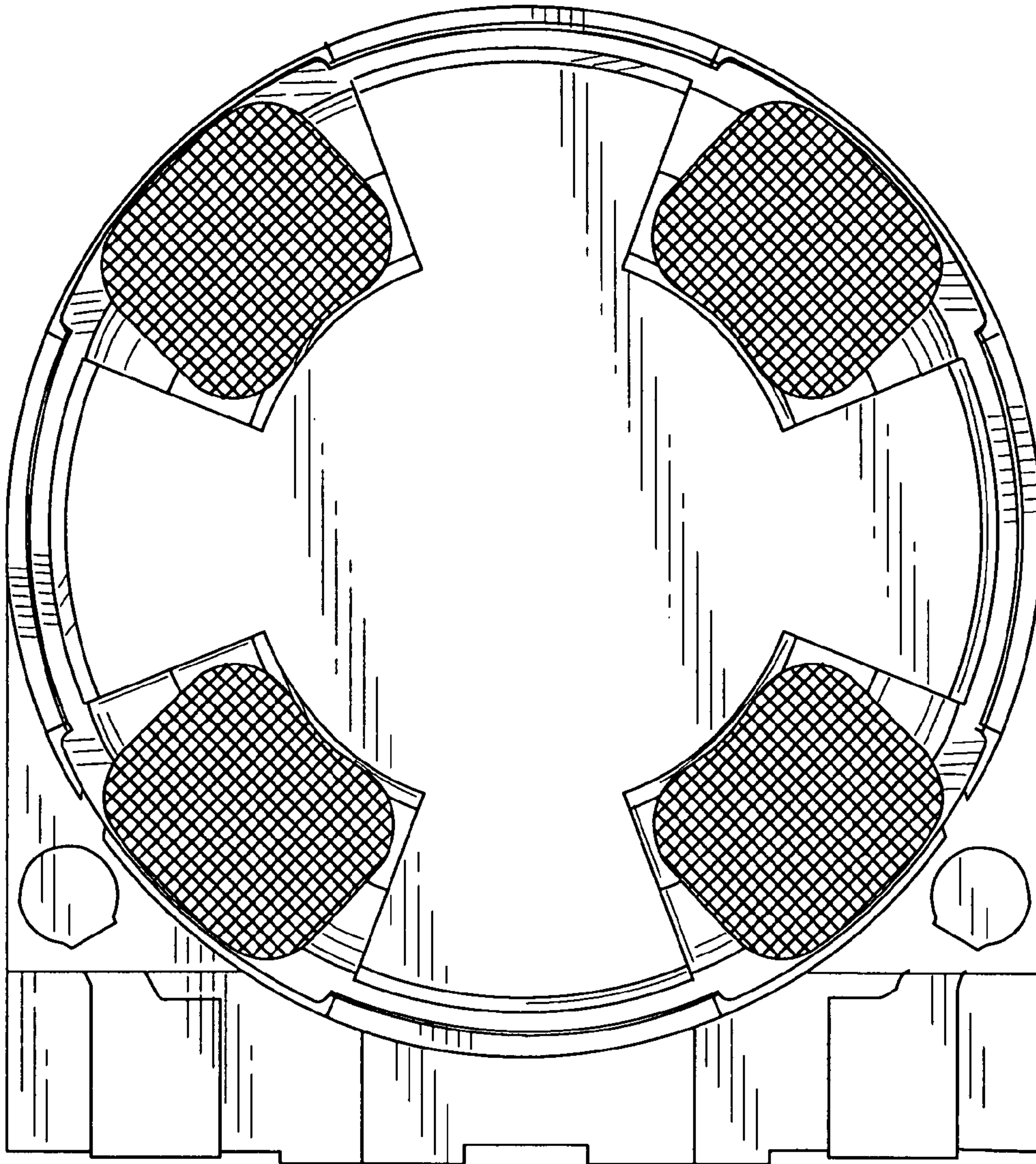


FIG.4

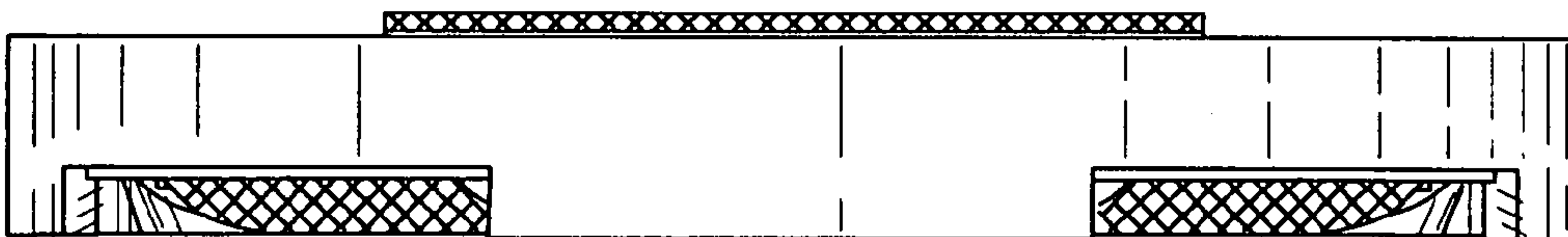


FIG.5

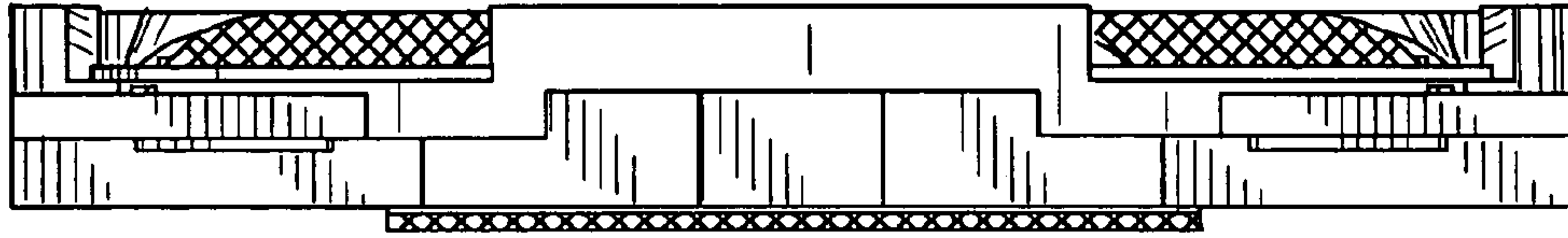


FIG.6

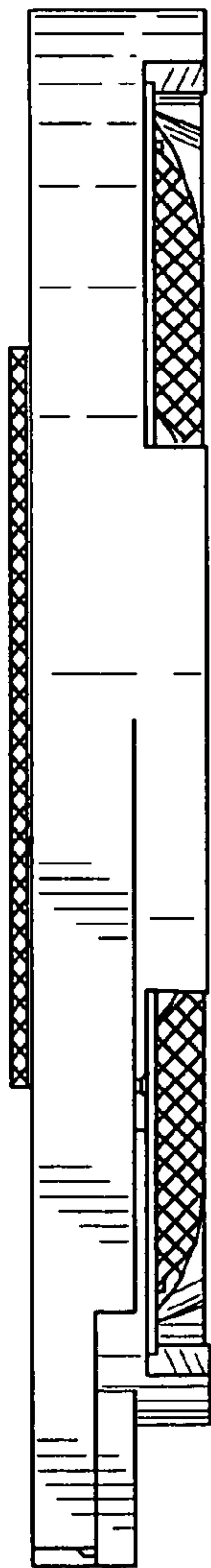


FIG.7

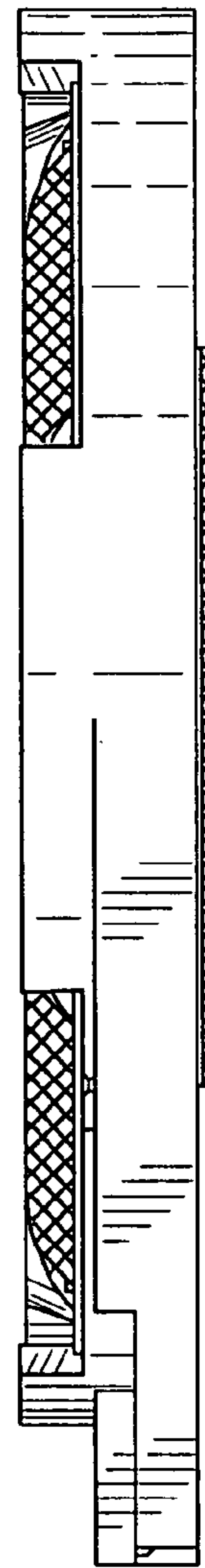


FIG.8

