

US00D565550S

(12) **United States Design Patent**  
**Tai**

(10) **Patent No.:** **US D565,550 S**

(45) **Date of Patent:** **\*\* Apr. 1, 2008**

(54) **SPEAKER**

(75) Inventor: **Hsin Wei Tai**, Hong Kong (CN)

(73) Assignee: **Okura USA, Inc.**, Doral, FL (US)

(\*\*) Term: **14 Years**

(21) Appl. No.: **29/262,178**

(22) Filed: **Jun. 27, 2006**

**Related U.S. Application Data**

(63) Continuation-in-part of application No. 29/221,087, filed on Jan. 11, 2005, now Pat. No. Des. 523,848.

(51) **LOC (8) Cl.** ..... **14-01**

(52) **U.S. Cl.** ..... **D14/216**

(58) **Field of Classification Search** ..... D14/204,  
D14/209-216; 181/143-144, 147-148, 150,  
181/157, 198-199, 151, 153; 381/300-302,  
381/306, 333, 345, 361-364, 386-388, 332,  
381/336

See application file for complete search history.

(56) **References Cited**

**U.S. PATENT DOCUMENTS**

D188,542 S *	8/1960	Levy et al.	.....	D14/216
D225,069 S *	11/1972	May	.....	D14/216
4,815,558 A	3/1989	Krainhöfer		
D393,641 S	4/1998	Hai-Fu		
D432,118 S	10/2000	Honnert		
D448,017 S *	9/2001	Hasbrook	.....	D14/216
D472,545 S	4/2003	Iijima et al.		

D473,216 S	4/2003	Irby et al.		
D475,992 S *	6/2003	Tomotaro	.....	D14/216
D484,116 S	12/2003	Proni		
D487,738 S	3/2004	Iijima et al.		
D488,802 S	4/2004	Uehara et al.		
D493,161 S	7/2004	Iijima et al.		
D493,445 S	7/2004	Iijima et al.		
D523,848 S	6/2006	Shing		
D535,979 S	1/2007	Shing		

\* cited by examiner

*Primary Examiner*—Nanda Bondade

(74) *Attorney, Agent, or Firm*—Malloy & Malloy, P.A.

(57) **CLAIM**

The ornamental design for a speaker, as shown and described.

**DESCRIPTION**

FIG. 1 is a front perspective view illustrating my design for a speaker;

FIG. 2 is a bottom view thereof;

FIG. 3 is a right side view thereof;

FIG. 4 is a front view thereof;

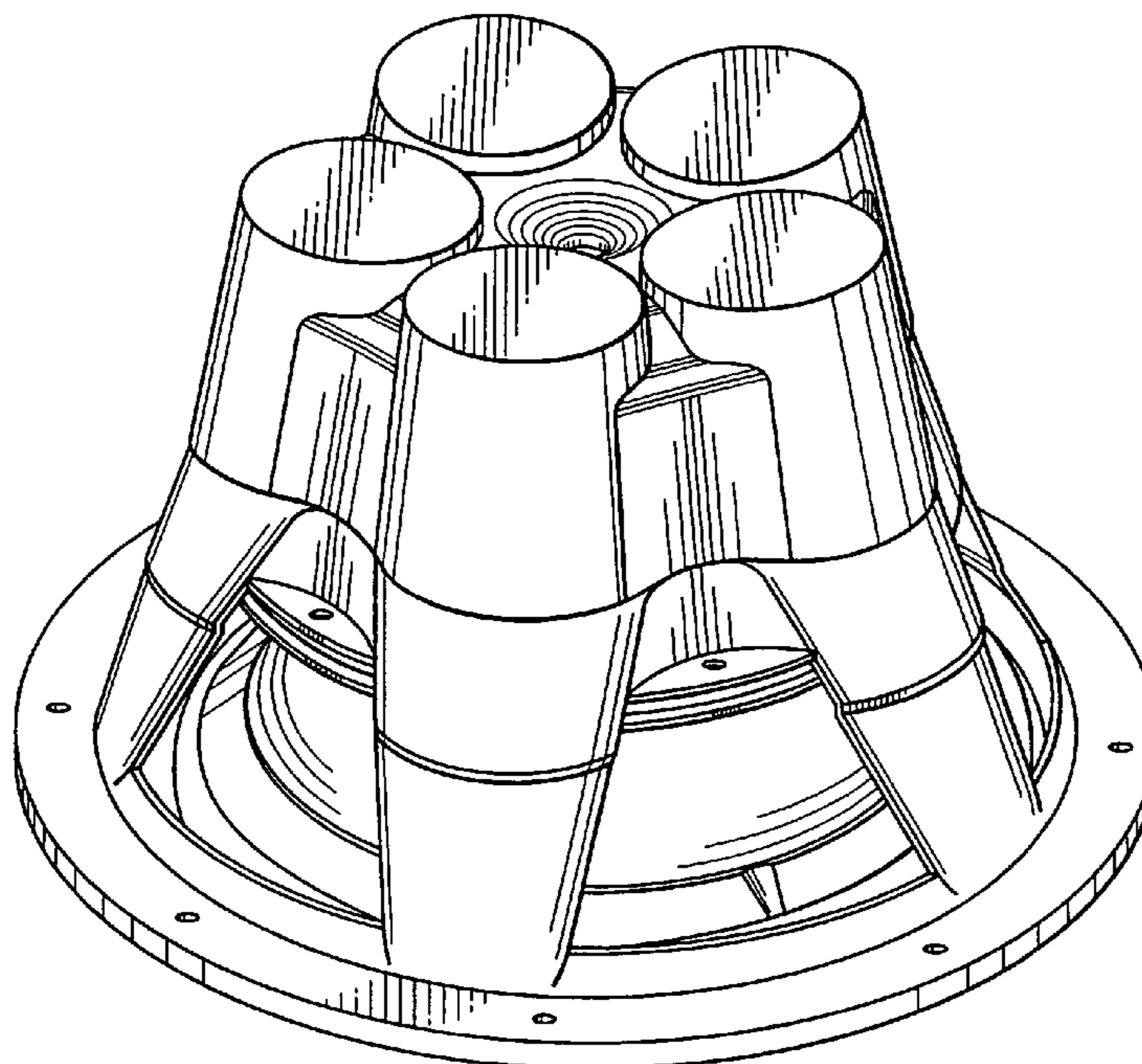
FIG. 5 is a left side view thereof;

FIG. 6 is a rear view thereof; and,

FIG. 7 is a top view thereof.

The broken line showing on FIG. 2 is included for illustrative purposes only and forms no part of the claimed design.

**1 Claim, 6 Drawing Sheets**



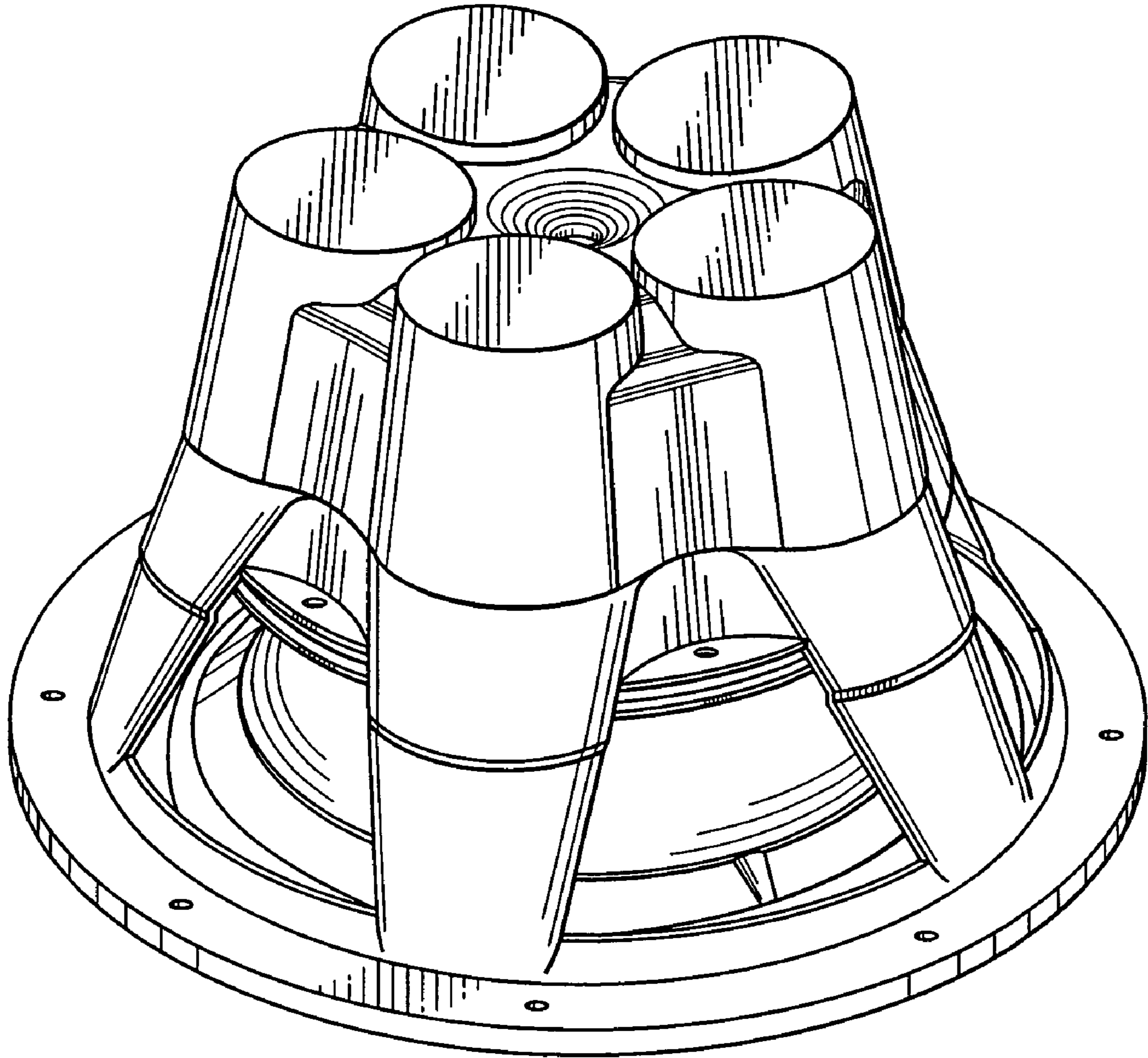


FIG. 1

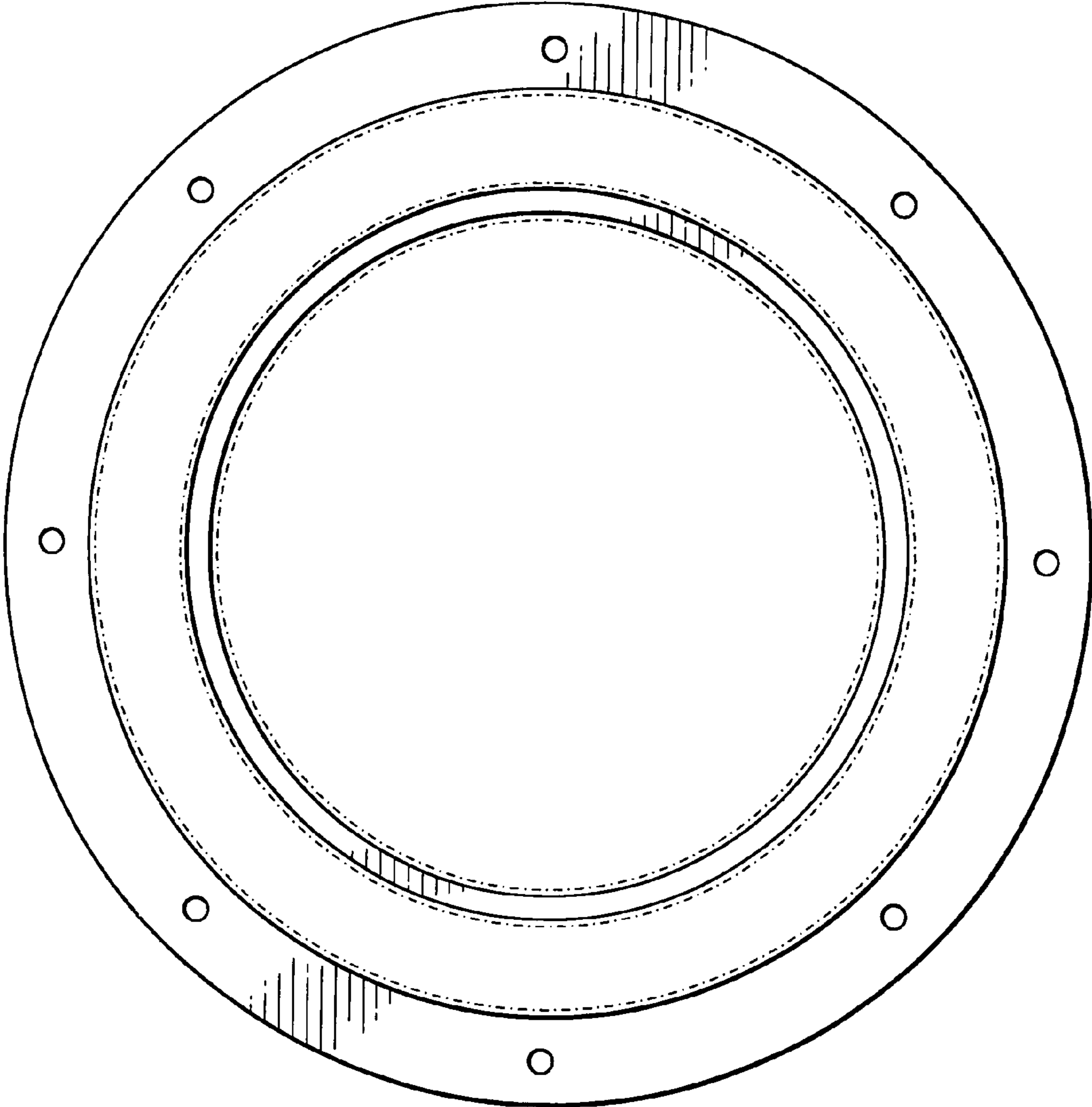


FIG. 2

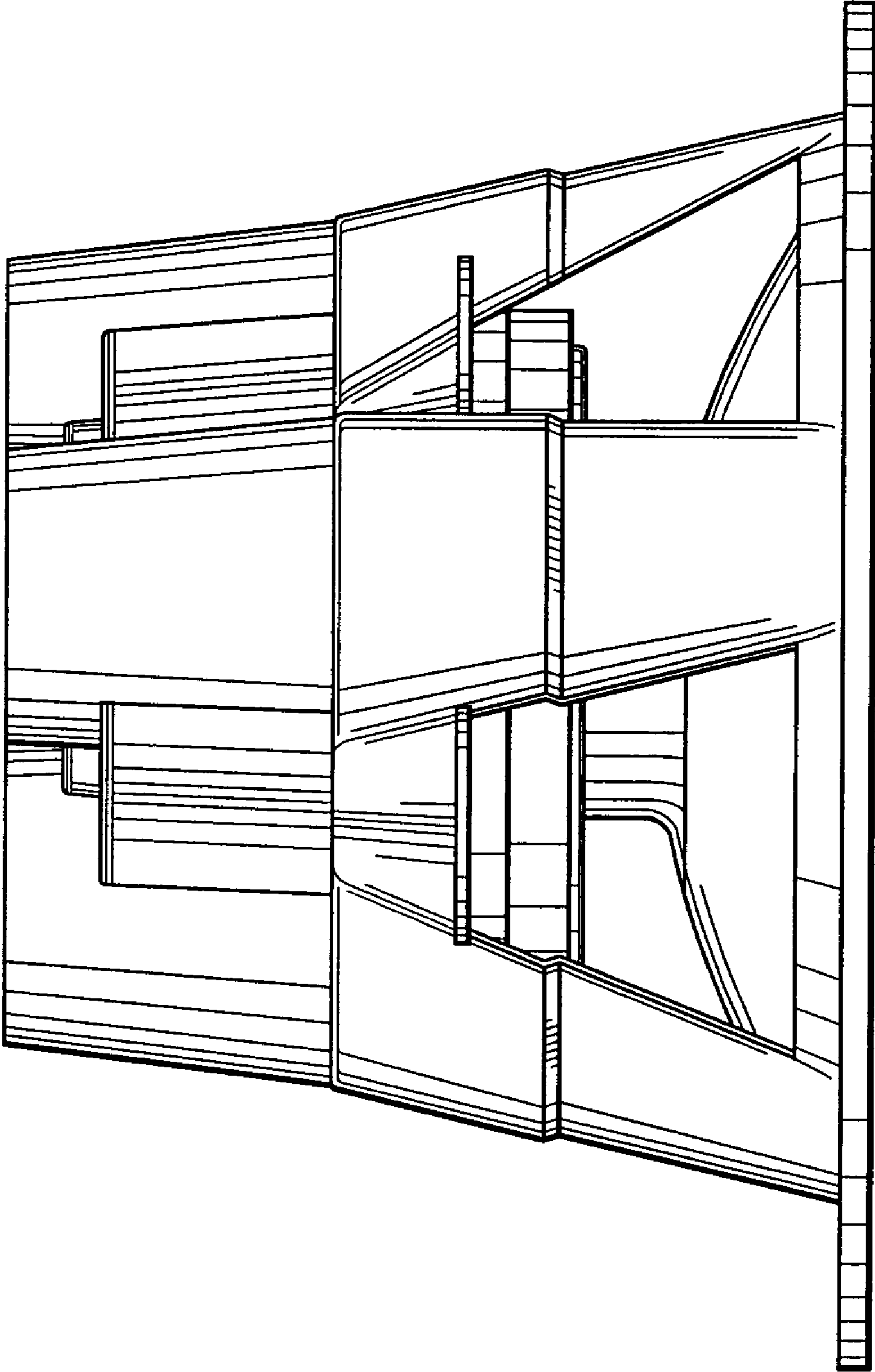


FIG. 3

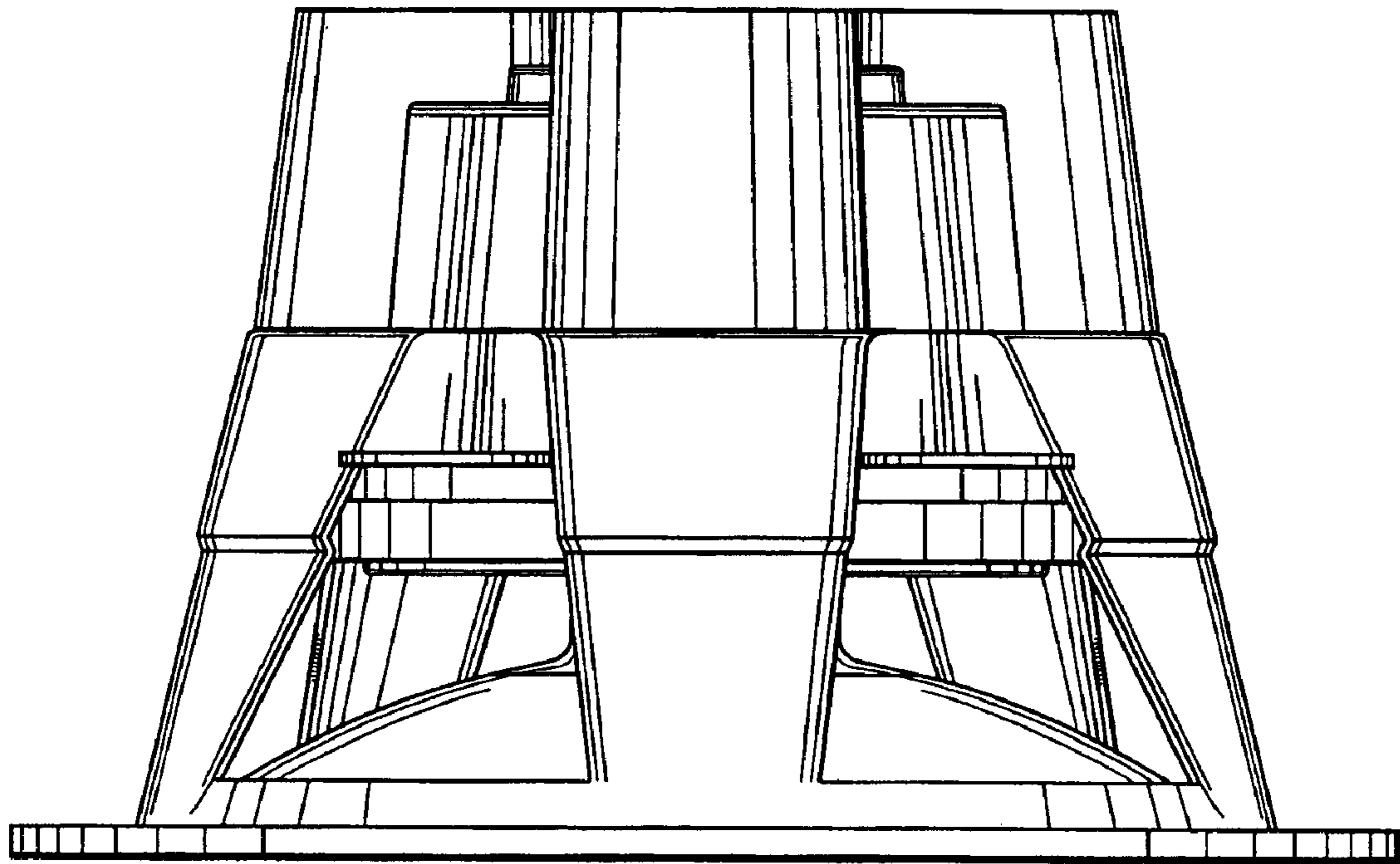


FIG. 4

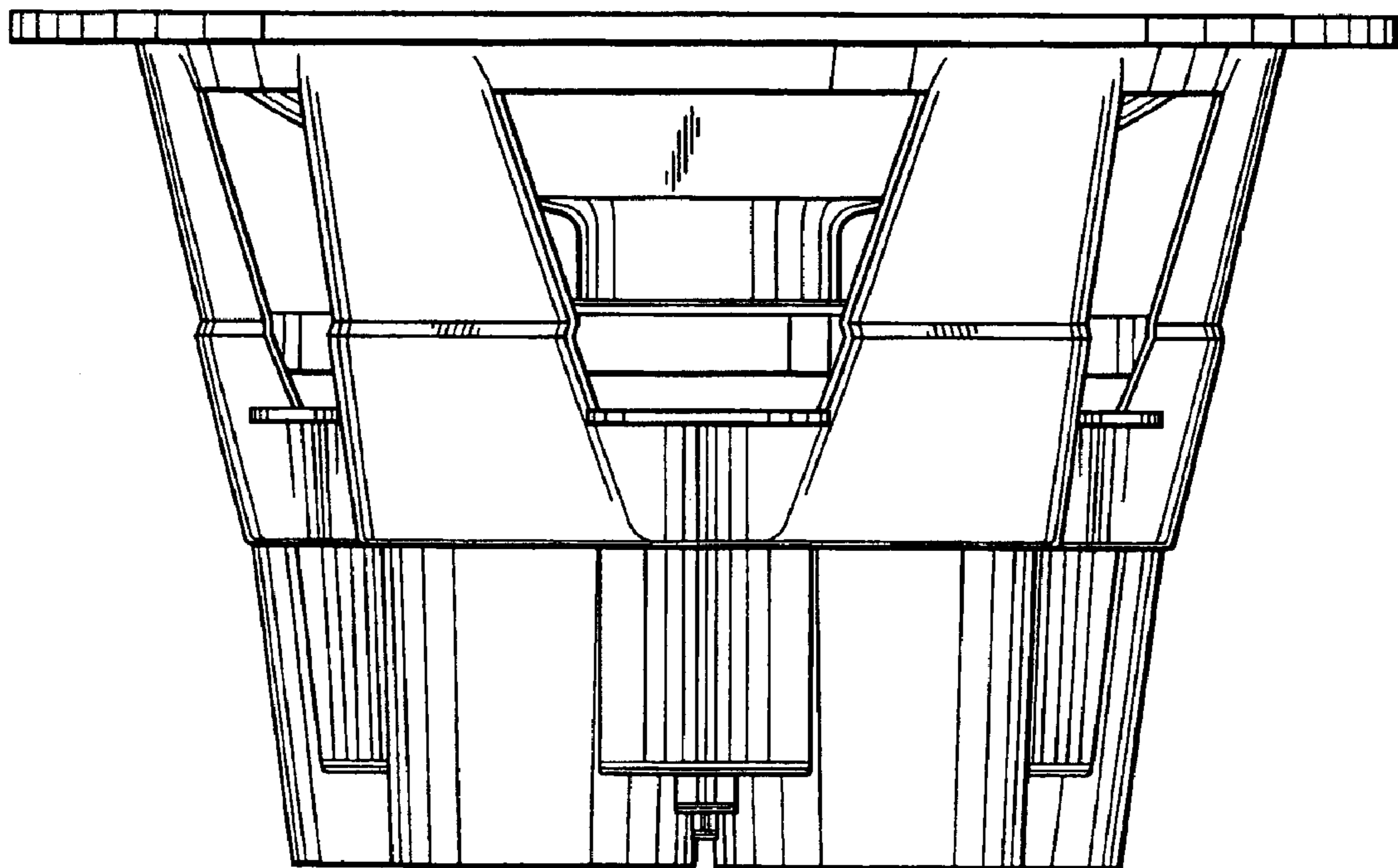


FIG. 6

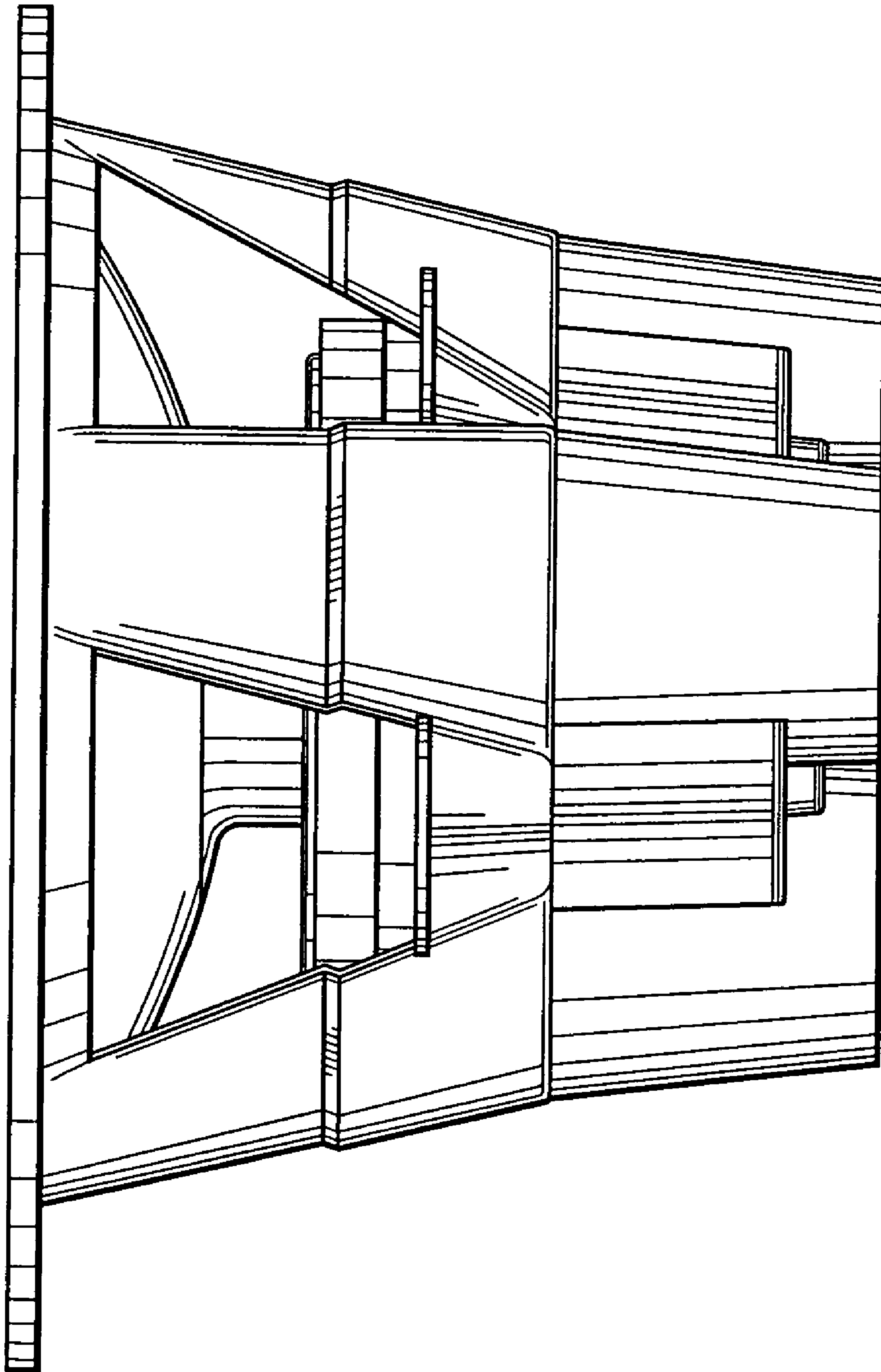


FIG. 5

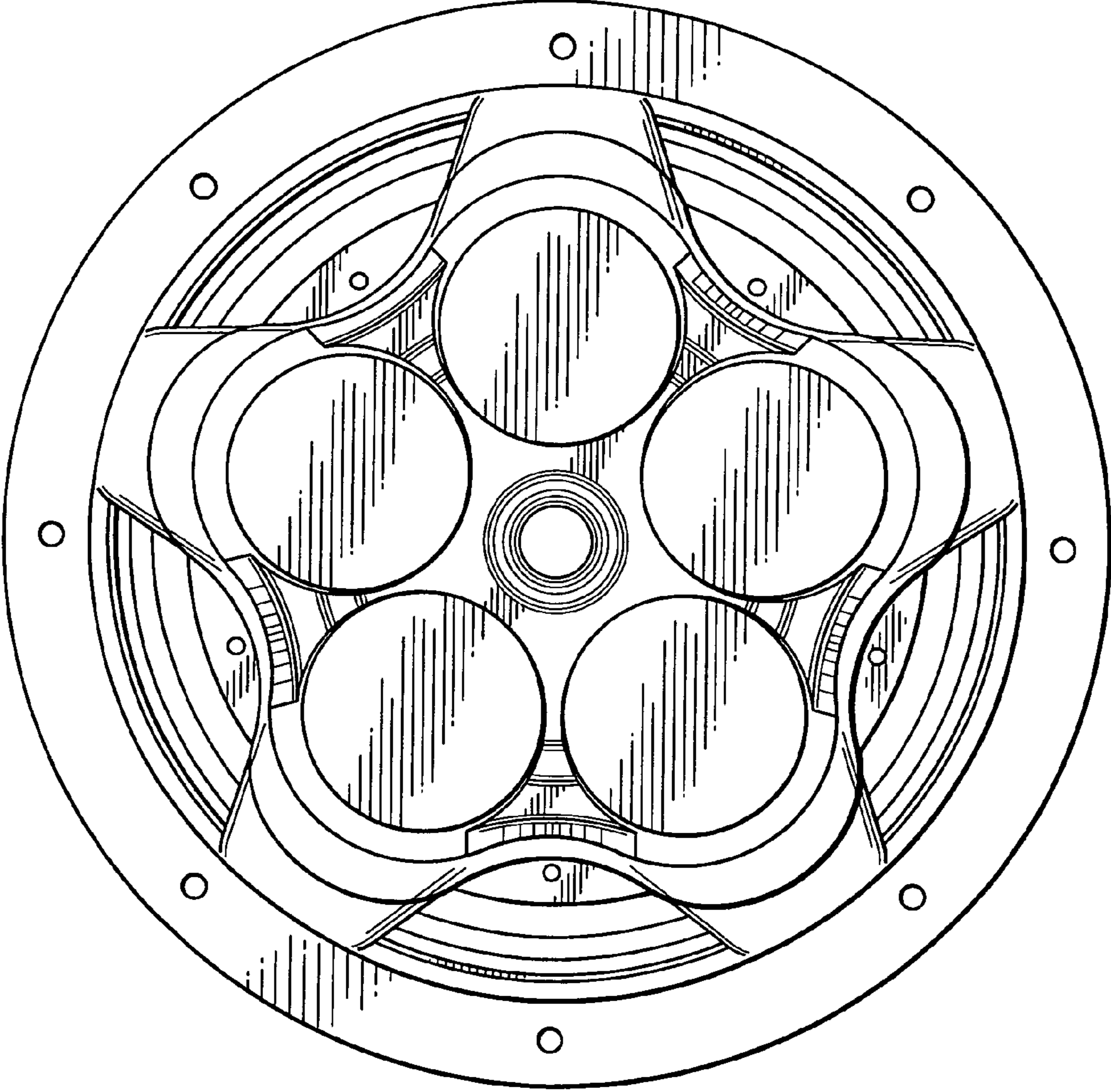


FIG. 7