



US00D565549S

(12) **United States Design Patent**
Sawhney et al.

(10) **Patent No.:** **US D565,549 S**

(45) **Date of Patent:** **** Apr. 1, 2008**

(54) **LOUDSPEAKER HOUSING**

(75) Inventors: **Ravi Sawhney**, Calabasas, CA (US);
Lance Hussey, Simi Valley, CA (US);
Kurt Botsai, Thousand Oaks, CA (US);
Chris Glupker, Studio City, CA (US)

(73) Assignee: **Harman International Industries, Incorporated**, Northridge, CA (US)

(**) Term: **14 Years**

(21) Appl. No.: **29/275,528**

(22) Filed: **Dec. 28, 2006**

(51) **LOC (8) Cl.** **14-01**

(52) **U.S. Cl.** **D14/214**

(58) **Field of Classification Search** D14/204,
D14/209-216; 181/143-144, 147-148, 150,
181/157, 198-199, 151, 153; 381/300-302,
381/306, 333, 345, 361-364, 386-388, 332,
381/336

See application file for complete search history.

(56) **References Cited**

U.S. PATENT DOCUMENTS

D163,700 S	*	6/1951	Klipsch	D14/214
D276,519 S	*	11/1984	Hobrough et al.	D14/214
D280,984 S	*	10/1985	Tricker	D14/214
4,805,730 A	*	2/1989	O'Neill et al.	181/148
D401,583 S	*	11/1998	Shin et al.	D14/214

D498,745 S * 11/2004 Sayler et al. D14/214

* cited by examiner

Primary Examiner—Nanda Bondade

(74) *Attorney, Agent, or Firm*—Plumsea Law Group, LLC

(57) **CLAIM**

The ornamental design for a loudspeaker housing, as shown and described.

DESCRIPTION

FIG. 1 is a perspective view of a loudspeaker housing showing our new design;

FIG. 2 is a front elevational view thereof;

FIG. 3 is a rear elevational view thereof;

FIG. 4 is a top plan view thereof;

FIG. 5 is a bottom plan view thereof;

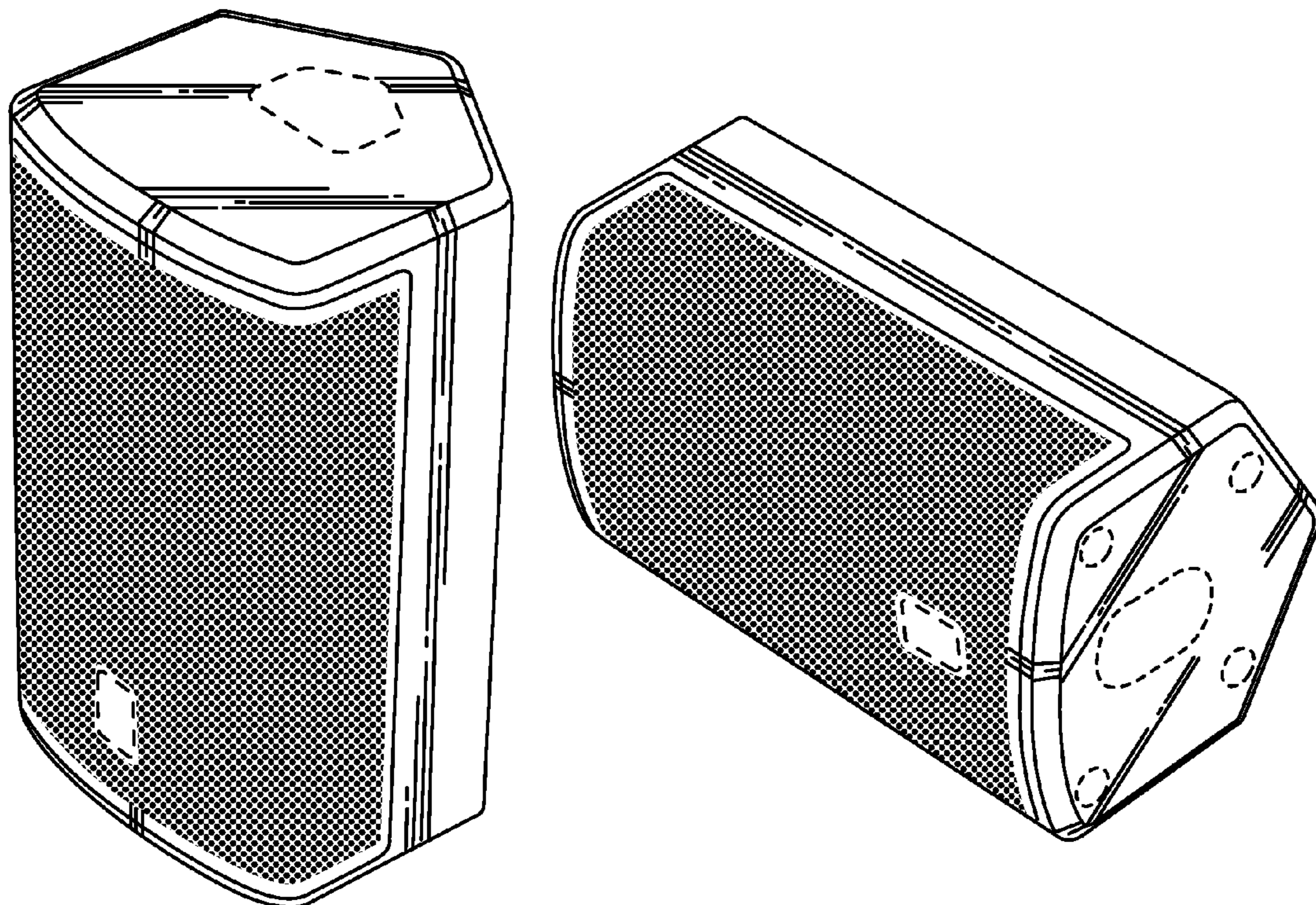
FIG. 6 is a side elevational view, the opposite side elevational view being a mirror image thereof;

FIG. 7 is a perspective view thereof shown in a horizontal orientation; and,

FIG. 8 is another perspective view of FIG. 7.

The broken line showings of the rectangle on the front face, the rectangle in FIG. 3, the pentagonal shape on the top surface, and the racetrack shape and circular feet on the bottom surface are for illustrative purposes only and form no part of the claimed design.

1 Claim, 3 Drawing Sheets



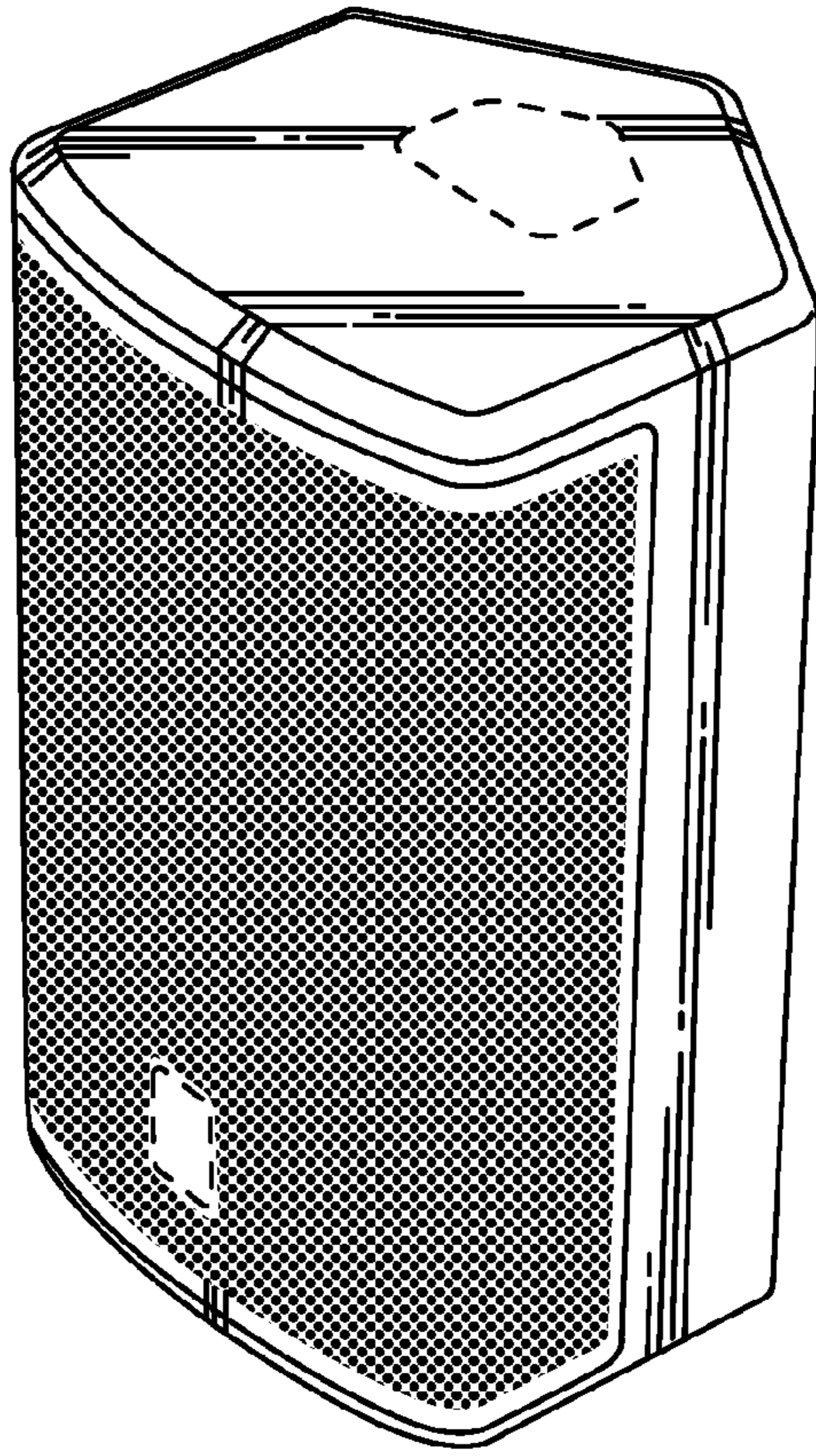


FIG. 1

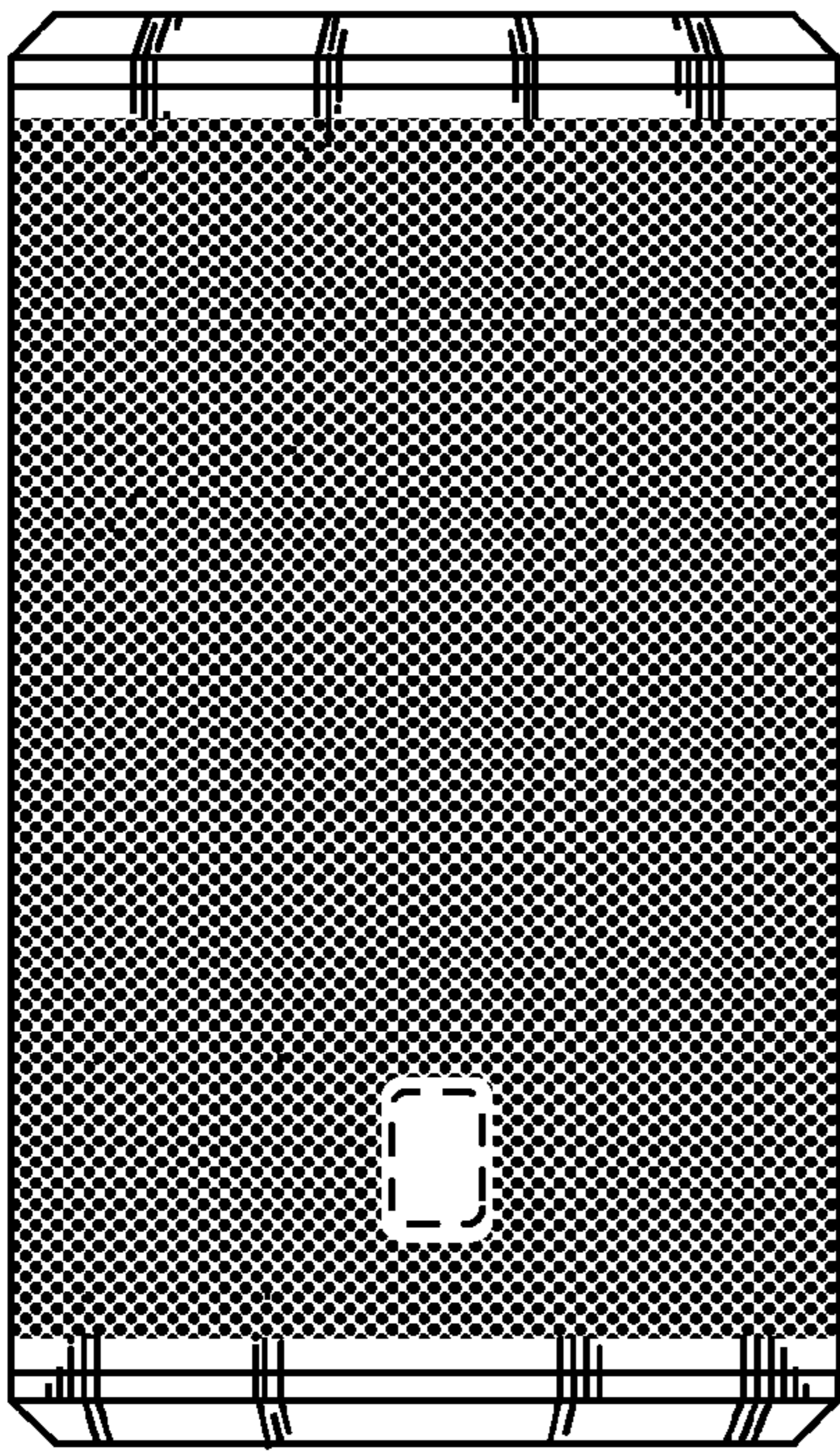


FIG. 2

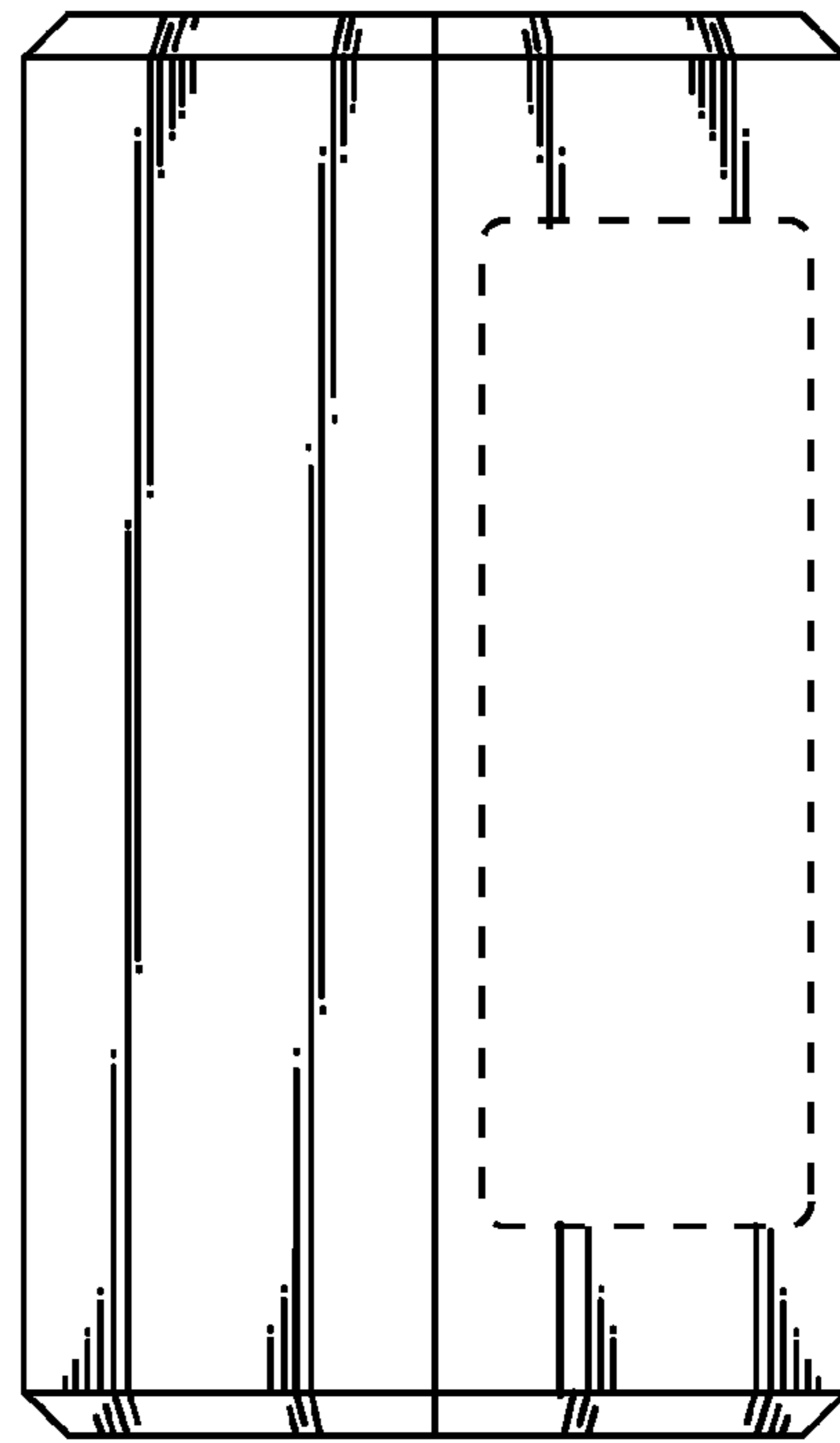


FIG. 3

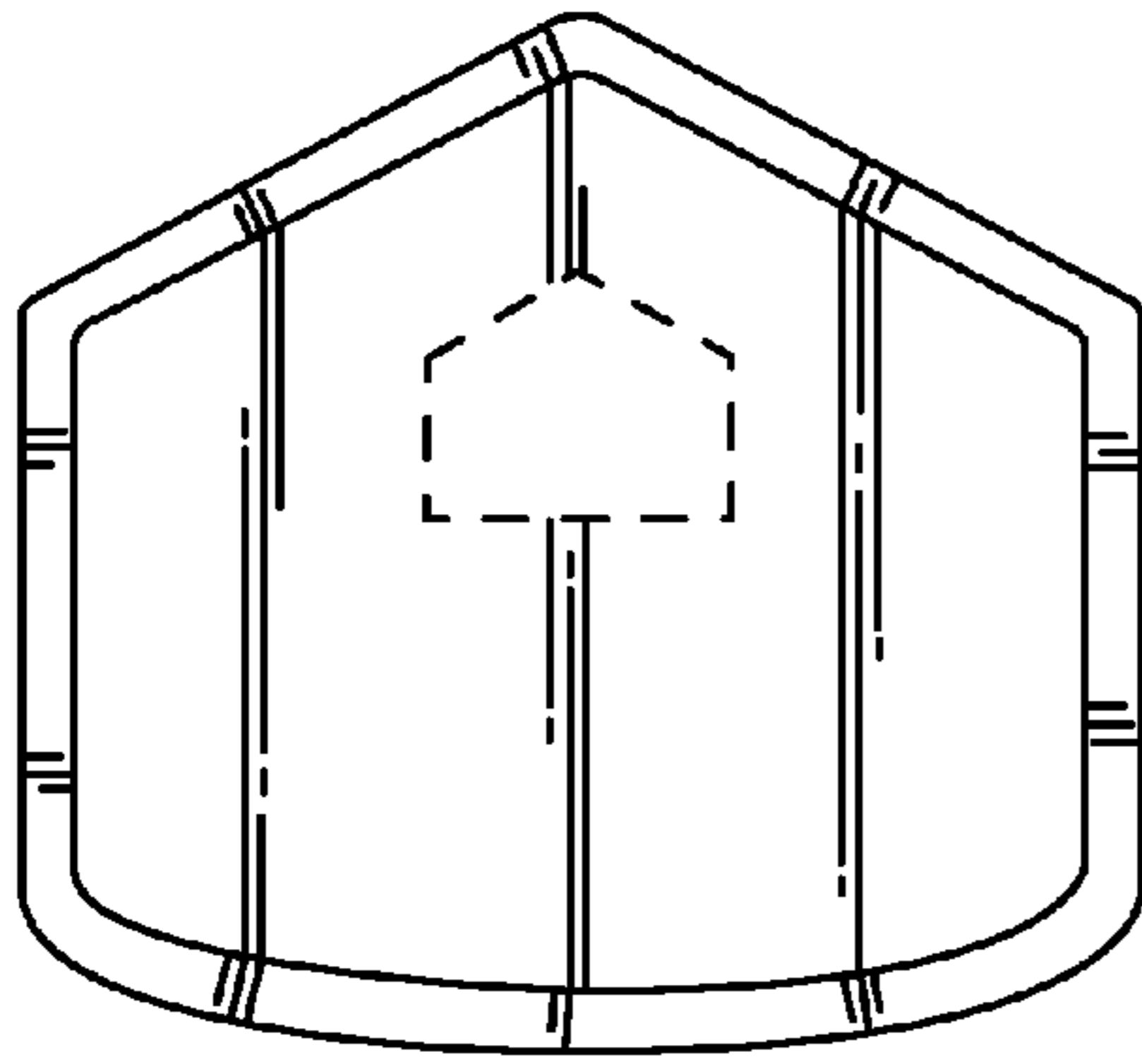


FIG. 4

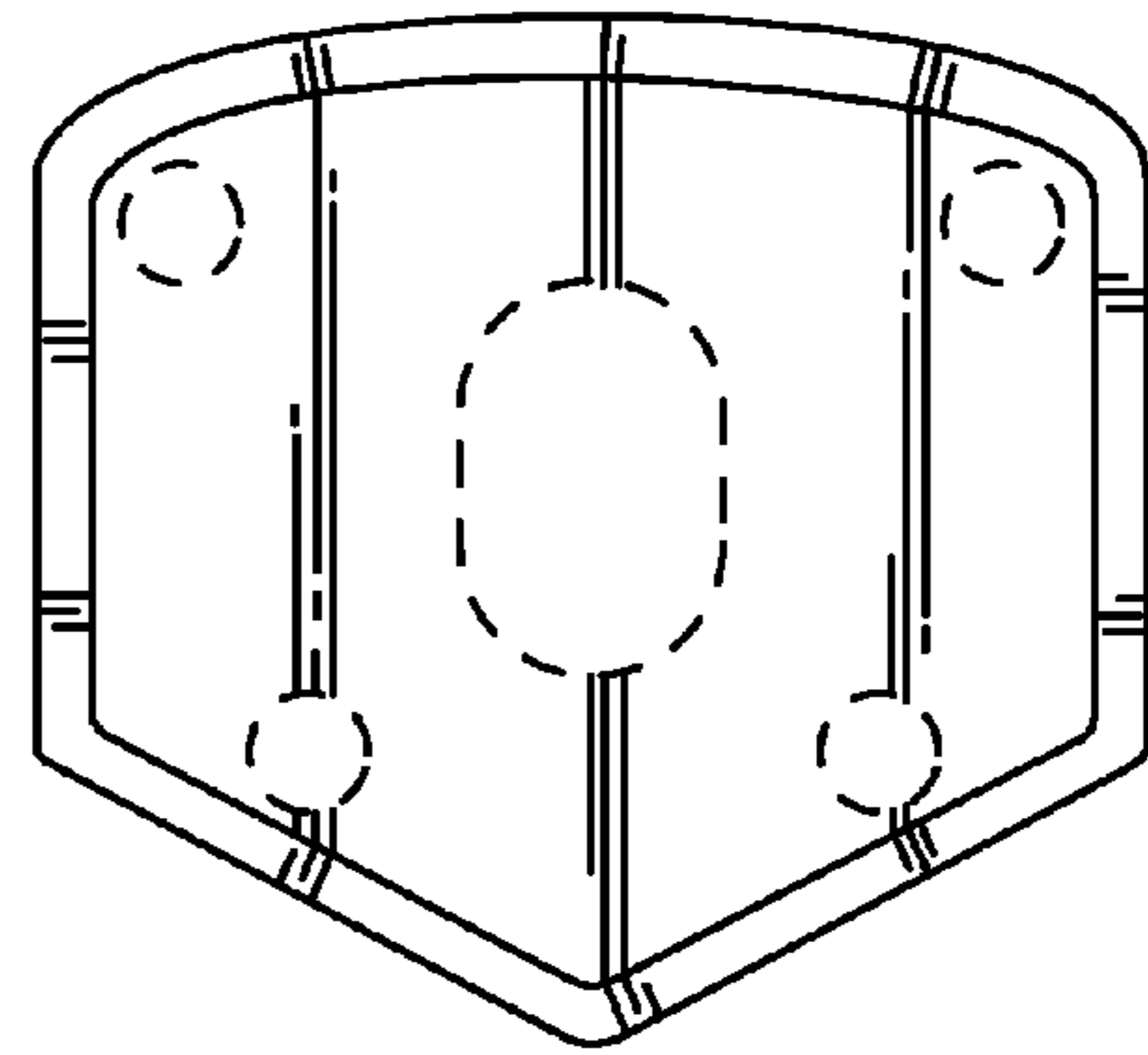


FIG. 5

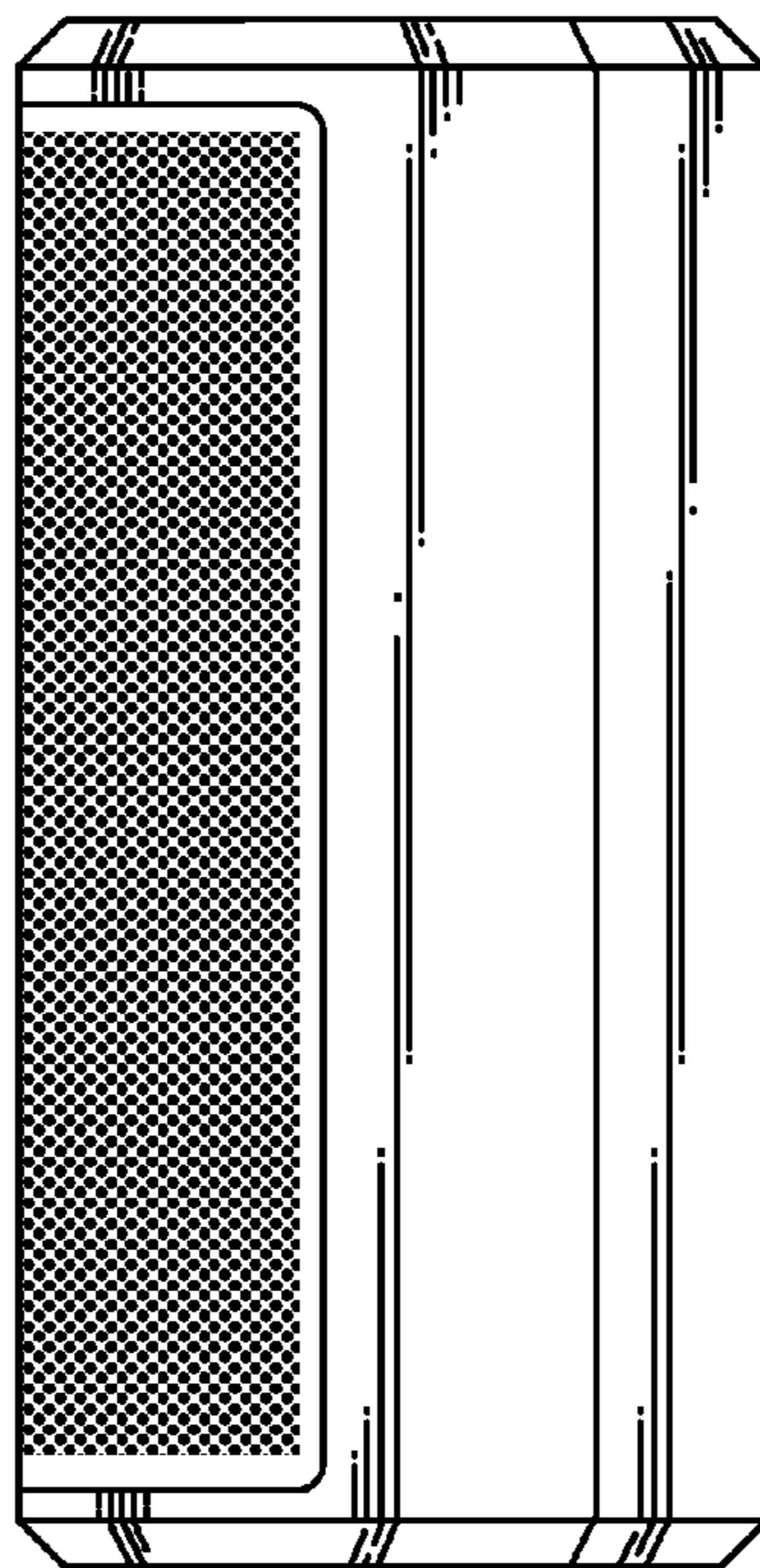


FIG. 6

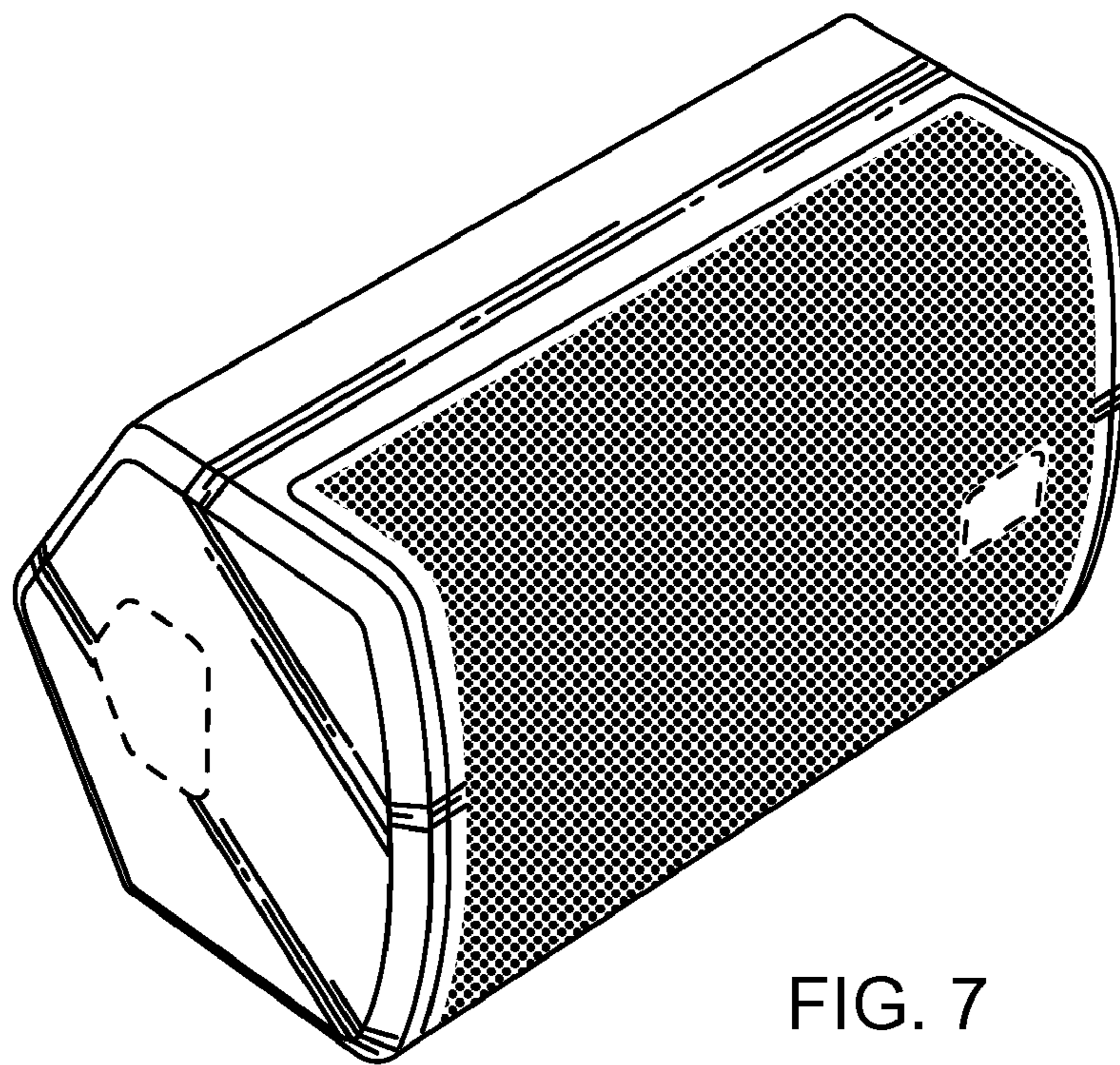


FIG. 7

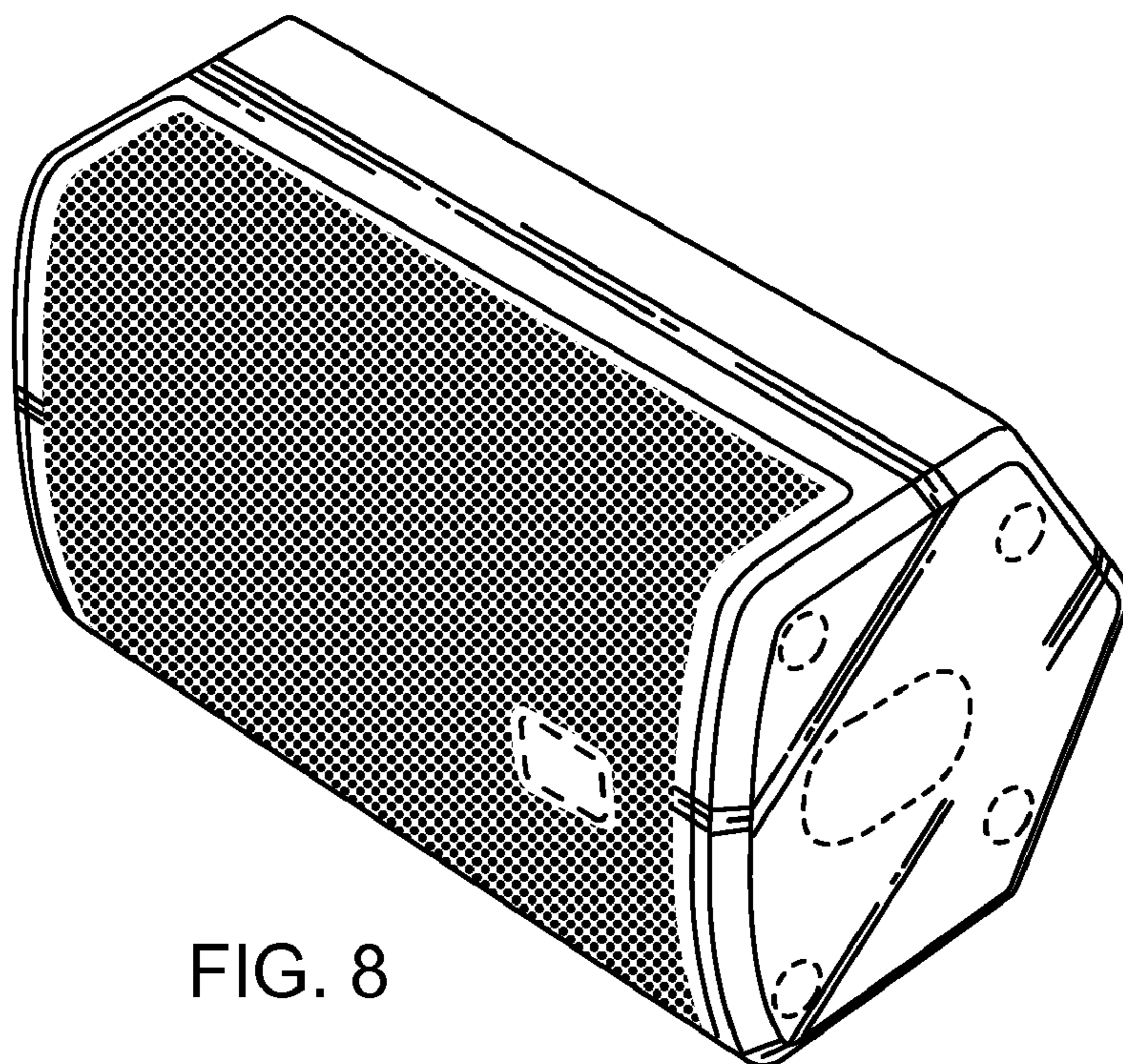


FIG. 8